

SOL 2000

Model:
SOL 2000



Part List English

19-05-2013

Table of Contents

SOL 2000

Frame	3
Container unit	5
Filter group	7
Motorhead	9

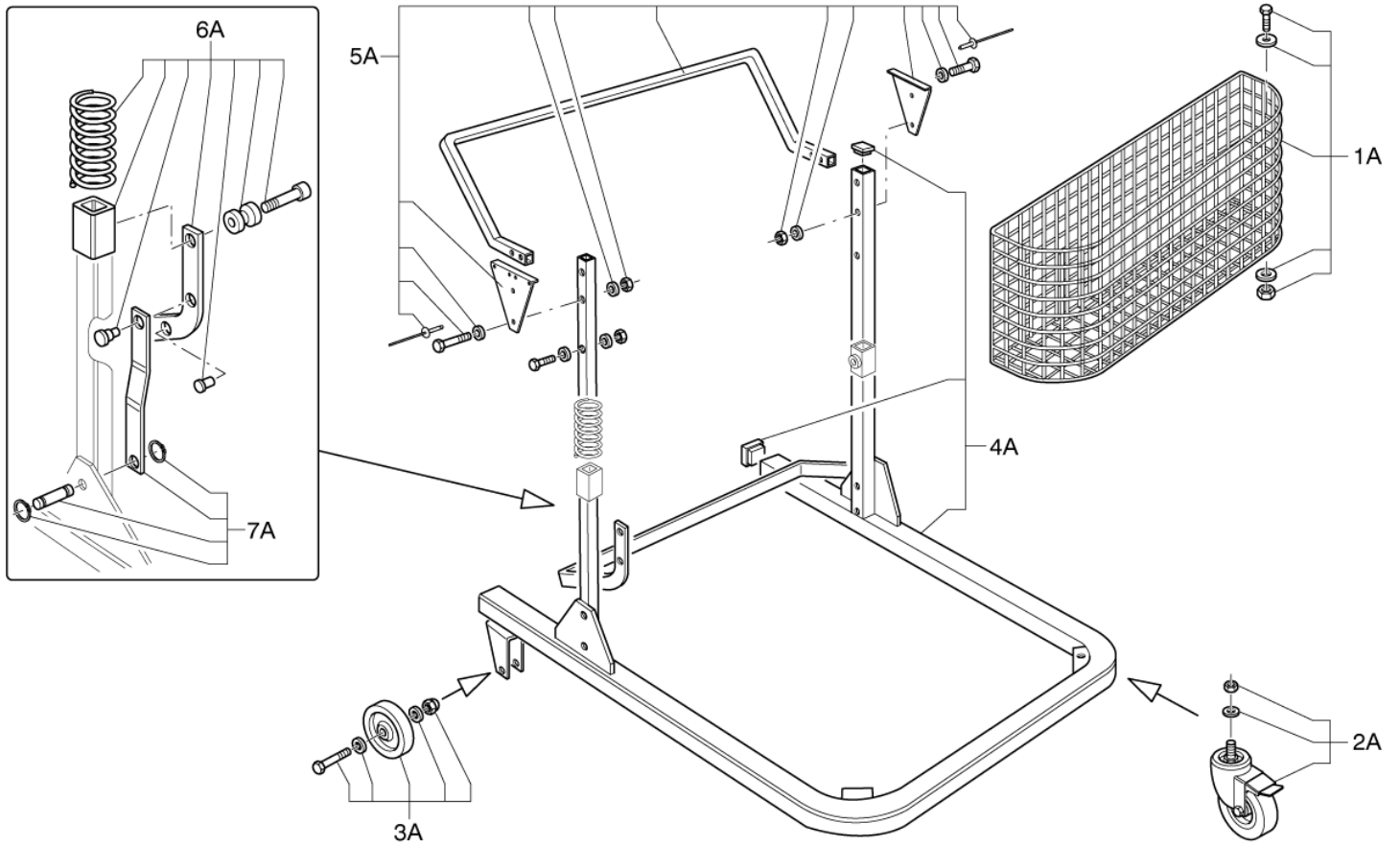
Frame

SOL 2000

19-05-2013

Part List ID
SOL200001

3



Frame

SOL 2000

19-05-2013

Part List ID
SOL200001

4

Pos	Part no.	Qty	Description
1A	40000403	1	KIT ACCESSORY HOLDER
2A	40000433	1	KIT REVOLV CASTOR D150
3A	40000434	1	KIT FIXED WHEEL D150
4A	40000463	1	KIT CAR FE
5A	40000464	1	KIT HANDLE
6A	40000411	1	KIT RELEASE LEVER FE D460
7A	40000413	1	KIT PUSH LEVER FE D460

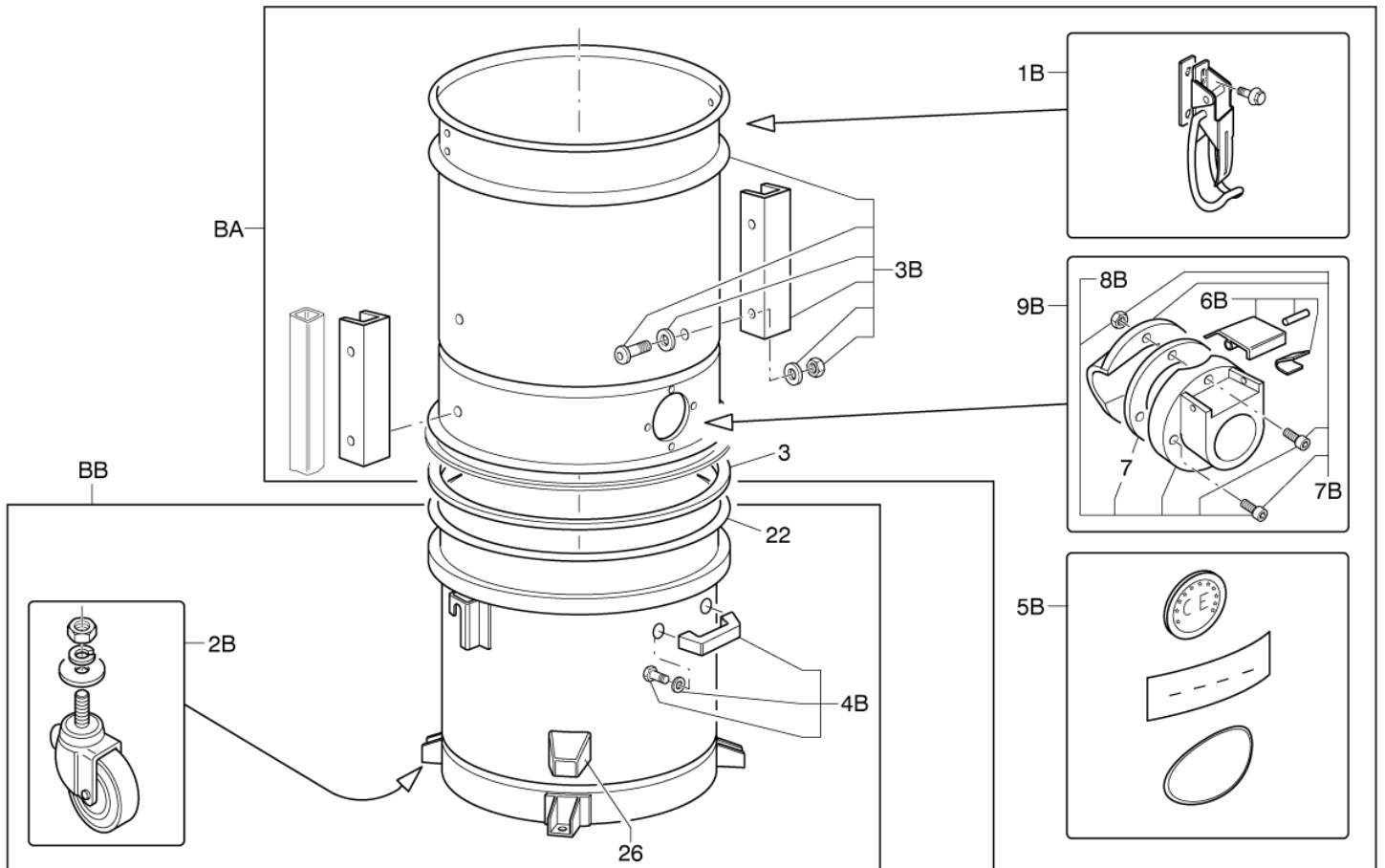
Container unit

SOL 2000

19-05-2013

Part List ID
SOL200003

5



Container unit

SOL 2000

19-05-2013

Part List ID
SOL200003

6

Pos	Part no.	Qty	Description
3	Z8 17007	1	FILTER CHAMBER SEAL D460 1M LENGTHS
7	Z8 17006	1	INLET SEAL D70
1B	40000321	1	KIT CAP LOCK FE
22	Z8 30009 9005	1	CONTAINER D460x400 LT60 F E
26	Z8 17021	4	BUMPER WHEEL HOLDER
2B	40000419	1	KIT CASTORS FOR CONTAINER
3B	40000466	1	KIT FILTER CHAMBER D460 FE
4B	40000423	1	HANDLE
5B	40000467	1	KIT LABELS
6B	40000345	1	KIT PUSHBUTTON FOR INLET D70
7B	40000395	1	KIT DEFLECTOR D70
8B	40000343	1	KIT INLET DE D70
9B	40000397	1	KIT COMPLETE INET FE D70
BA	Z8 31182 9005	1	FILTER CHAMBER 460X600
BB	Z8 30088 9005	1	CONTAINER D460x400 FE COM RELEASE LT.60 - BLACK

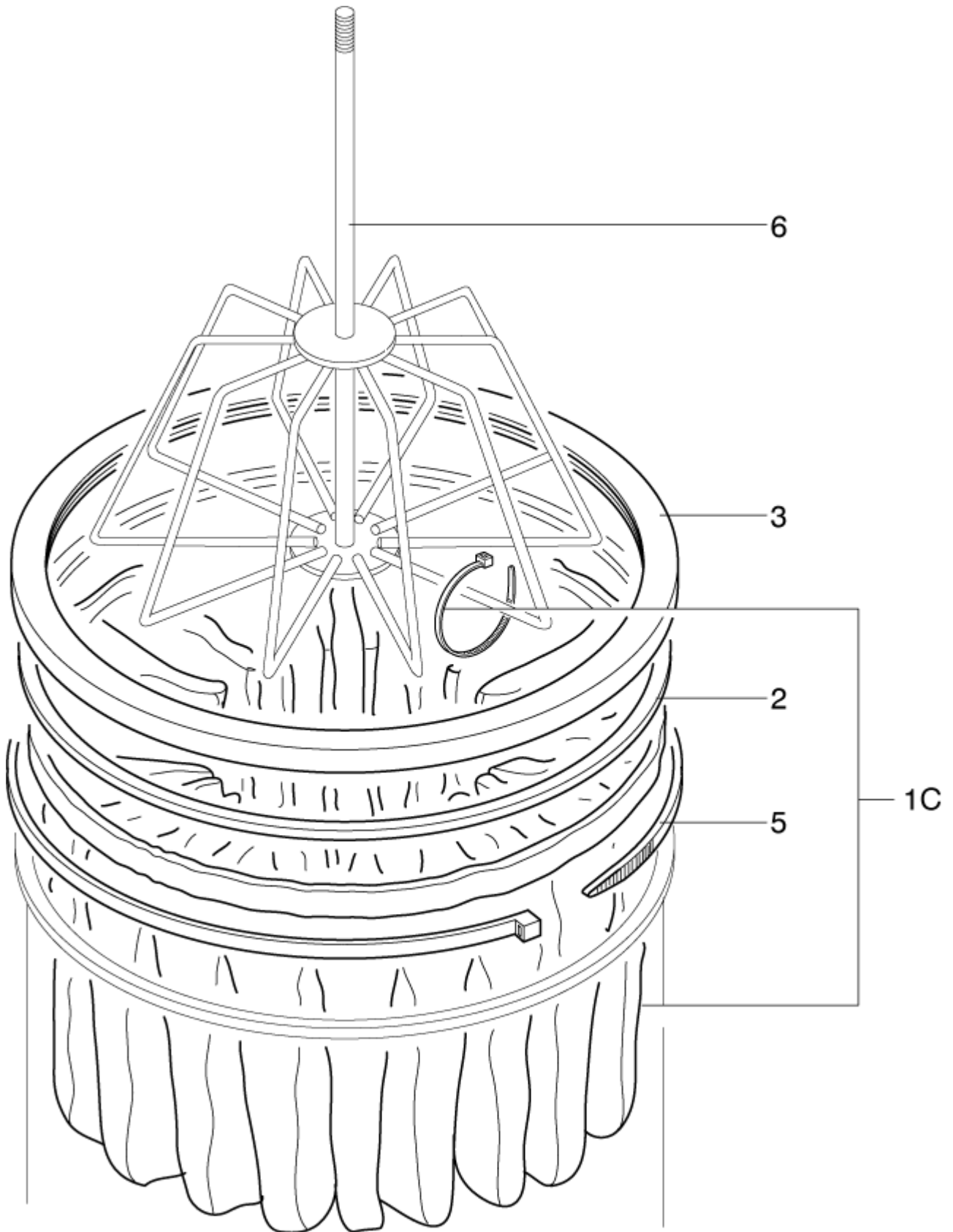
Filter group

SOL 2000

19-05-2013

Part List ID
SOL200005

7



Filter group

SOL 2000

19-05-2013

Part List ID
SOL200005

8

Pos	Part no.	Qty	Description
2	Z8 15003	1	FILTER HOLDER RING D460 F
3	Z8 17026	1	FILTER SEAL D460 BLACK
5	Z8 18079	1	FILTER BLOCK TIE D460
6	Z8 33093	1	STAR CAGE D460 MOD.317
1C	40000338	1	STAR FILTER KIT D460

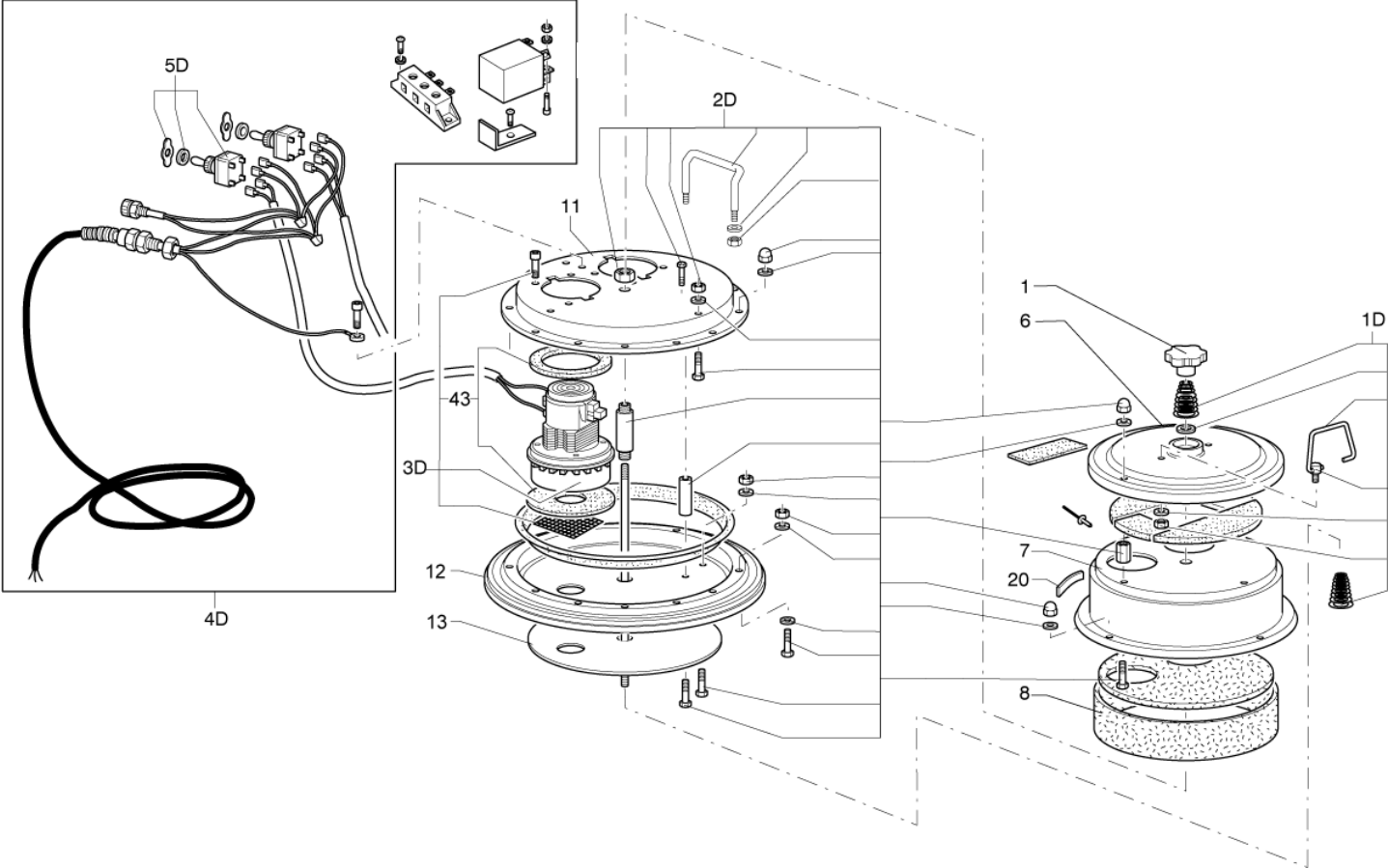
Motorhead

SOL 2000

19-05-2013

Part List ID
SOL200007

9



Motorhead

SOL 2000

19-05-2013

Part List ID
SOL200007

10

Pos	Part no.	Qty	Description
1	Z8 40027	1	KNOB D70 M12 NO HOLE
6	Z8 35020	1	COVER FOR MOTOR HEAD 460 EL.FIL.SH.
7	Z8 16066 9005	1	MOTORCOVER D460 2F
8	Z8 17229	1	KIT SOUNDPROOF D460 M.317
11	Z8 16318	1	FIX MOTOR D460 2F FOR 202
12	Z8 16317	1	MOTORKEEPER D460 2F F.S. FOR 202
13	Z8 15032	1	FLANGE FOR HEAD
1D	40000473	1	KIT FILTER-SHAKER
20	Z8 17107	1	FILTER SHAKER LABEL
2D	40000472	1	NUTS BOLTS KIT FOR MOTOR ASSEMBLY
3D	40000937	1	MOTOR KIT V230
43	40000470	1	MOTOR SEAL KIT
4D	40000468	1	KIT ELECTRIC INSTAL