

A & M Electric Tools

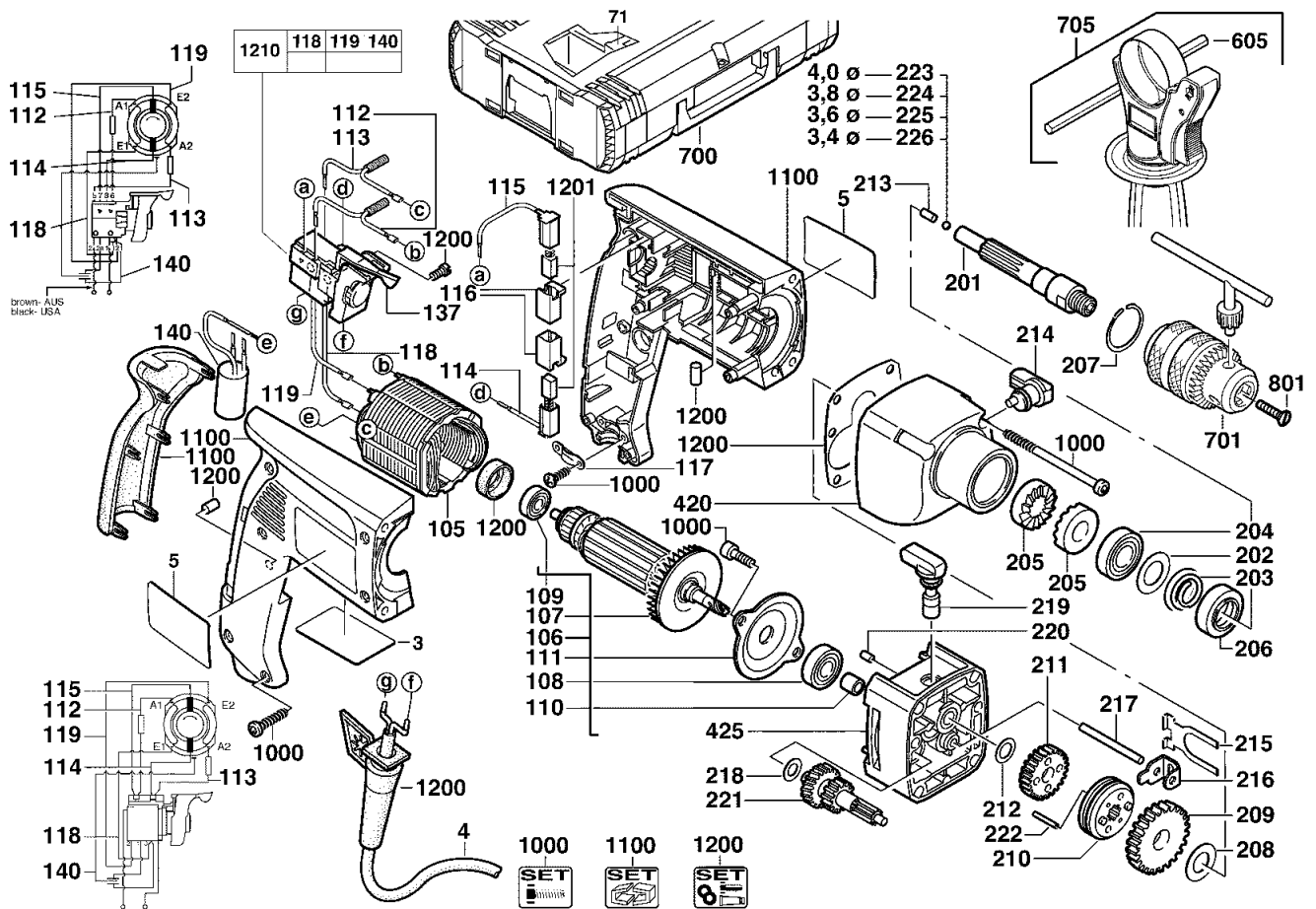
Ind	Product No.	Type	Voltage	Country
a	4000380765	PD2E20R	220-230V	IN2
b	4000380444	PD2E20R	240V	AUS
c	4000380765	PD2E20R	220-230V	IN2
d	4000380970	PD2E20R	110V	GB1
e	4000380970	PD2E20R	110V	GB1
f	4000390237	PD2E20R	240V	GB2

Percussion Drills

Milwaukee

PD2E 20 R

Exp.view No. Version Date Page
4926 3804 46 0006 28.03.07 1/2



Pos	Index	Quanti	Article No.	Designation	Pos	Index	Quanti	Article No.	Designation
0003	a.c.....	1	4931380768	RATING PLATE	0113	abc.f.....	1	4931622291	CHOKING COIL
0003	.b.....	1	4931380450	RATING PLATE	0113	...de.....	1	4931623376	CHOKING COIL
0003	...de.....	1	4931380973	RATING PLATE	0114	abc.f.....	1	4931271665	BRUSH HOLDER
0003	...f.....	1	4931390240	ADHESIVE LABEL	0114	...de.....	1	4931623373	BRUSH HOLDER
0004	a.c.....	1	4931622543	CONNECTION CABLE	0115	abc.f.....	1	4931622292	BRUSH HOLDER
0004	.b.....	1	4931624336	CONNECTION CABLE	0115	...de.....	1	4931623374	BRUSH HOLDER
0004	...de.....	1	4931624008	CONNECTION CABLE	0116	abcdef.....	2	4931315039	BRUSH HOLDER
0004	...f.....	1	4931623820	CONNECTION CABLE	0117	abcdef.....	1	4931256500	CABLE COLLAR
0005	abcdef.....	2	4931378806	TYPE PLATE	0118	abc.f.....	1	4931253699	CABLE
0071	abcdef.....	1	4931380081	INSERT	0118	...de.....	1	4931623371	WIRE
0105	a.c.....	1	4931310648	ELECTRIC FIELD	0119	abc.f.....	1	4931622262	WIRE
0105	.b...f.....	1	4931301856	ELECTRIC FIELD	0119	...de.....	1	4931623372	WIRE
0105	...de.....	1	4931372961	ELECTRIC FIELD	0137	abcdef.....	1	4931344905	SWITCH LEVER
0106	abc.f.....	1	4931339540	ARMATURE	0140	abcdef.....	1	4931622384	CAPACITOR
0106	...de.....	1	4931344946	ARMATURE	0201	abcdef.....	1	4931372776	DRILL SPINDLE
0107	abcdef.....	1	4931302487	FAN	0202	abcdef.....	1	4931621809	DISC
0108	abcdef.....	1	4931368037	GROOVED BALL BEAR.	0203	abcdef.....	1	4931267406	PRESSURE SPRING
0109	abcdef.....	1	4931901253	BALL BEARING	0204	abcdef.....	1	4931891058	BALL BEARING
0110	abcdef.....	1	4931343243	BUSHING	0205	abcdef.....	2	4931267571	PERCUSSION SLEEVE
0111	abcdef.....	1	4931267585	BEARING COVER	0206	abcdef.....	1	4931267522	SEAL RING
0112	abc.f.....	1	4931623023	CHOKING COIL	0207	abcdef.....	1	4931890311	LOCKING RING
0112	...de.....	1	4931623375	CHOKING COIL	0208	abcdef.....	1	4931621647	DISC

Repairs/modification and testing of electric power tools are to be carried out by specialists. The safety regulations according to DIN/VDE/CEE/AFNOR and other regulations valid in the different countries are to be observed.

A & M Electric Tools

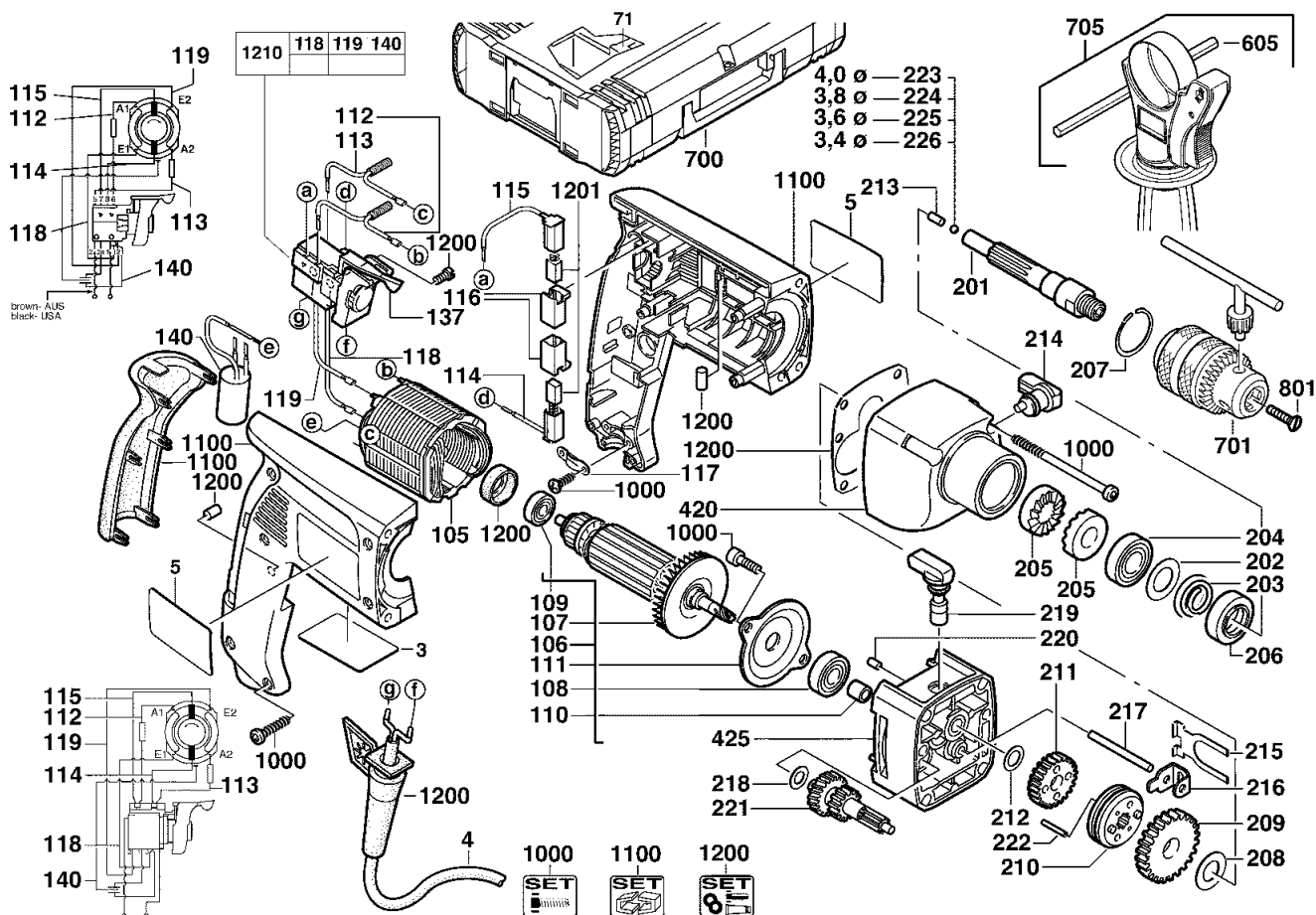
Ind	Product No.	Type	Voltage	Country
a	4000380765	PD2E20R	220-230V	IN2
b	4000380444	PD2E20R	240V	AUS
c	4000380765	PD2E20R	220-230V	IN2
d	4000380970	PD2E20R	110V	GB1
e	4000380970	PD2E20R	110V	GB1
f	4000390237	PD2E20R	240V	GB2

Percussion Drills

Milwaukee

PD2E 20 R

Exp.view No. Version Date Page
4926 3804 46 0006 28.03.07 2/2



Pos	Index	Quanti	Article No.	Designation	Pos	Index	Quanti	Article No.	Designation
0209	abcdef.....	1	4931267558	DRILL SPINDLE WHEEL	0701	ab.d.f.....	1	4932364267	KEYLESS CHUCK
0210	abcdef.....	1	4931307130	JUMPER RING	0701	..c.e.....	1	4932267980	THREE JAW CHUCK
0211	abcdef.....	1	4931344698	DRILL SPINDLE WHEEL	0705	abcdef.....	1	4932373725	HANDLE
0212	abcdef.....	1	4931621679	DISC	0801	abcdef.....	1	4931401643	LOCKING SCREW
0213	abcdef.....	1	4931805526	PIN	1000	abcdef.....	1	4931344833	BOLT SET
0214	abcdef.....	1	4931339525	SWITCH LEVER	1100	abcdef.....	1	4931359606	HOUSING
0215	abcdef.....	1	4931307118	RETAINING SPRING	1200	abc..f.....	1	4931344832	MAINTENANCE SET
0216	abcdef.....	1	4931267576	SWITCH LEVER	1200	...de.....	1	4931380959	MAINTENANCE SET
0217	abcdef.....	1	4931621731	PIN	1201	abc..f.....	1	4931361733	CARBON BRUSH SET
0218	abcdef.....	1	4931621715	DISC	1201	...de.....	1	4931392580	CARBON BRUSH SET
0219	abcdef.....	1	4931339526	SWITCH LEVER	1210	abc..f.....	1	4931387262	REPAIR KIT
0220	abcdef.....	1	4931621770	PIN	1210	...de.....	1	4931387264	REPAIR KIT
0221	abcdef.....	1	4931267582	REDUCTION GEAR					
0222	abcdef.....	2	4931621732	PIN					
0223	abcdef.....	1	4931805390	BALL					
0224	abcdef.....	1	4931621735	BALL					
0225	abcdef.....	1	4931621736	BALL					
0226	abcdef.....	1	4931621737	BALL					
0420	abcdef.....	1	4931380479	GEAR BOX					
0425	abcdef.....	1	4931380480	BEARING END PLATE					
0605	abcdef.....	1	4931384434	DEPTH GAUGE					
0700	abcdef.....	1	4932378986	CARRYING CASE					

Repairs/modification and testing of electric power tools are to be carried out by specialists. The safety regulations according to DIN/VDE/CEE/AFNOR and other regulations valid in the different countries are to be observed.