

FLOORTEC 760 B

Model:
FLOORTEC 760 B ALT



Part List US-English

27-09-2014

Nilfisk
ALTO
works for you

www.nilfisk-alto.com

Table of Contents

FLOORTEC 760 B

GENERAL VIEW	3
CHASSIS SYSTEM	5
FRAME SYSTEM	7
COVERS SYSTEM	9
CONTROL PANEL SYSTEM	11
HANDLE SYSTEM	13
TRANSMISSION SYSTEM	15
WHEELS SYSTEM	18
MAIN BROOM SYSTEM	20
RIGHT BROOM	22
LEFT BROOM (OPTIONAL)	24
FILTER SYSTEM	27
FILTER SHAKER MANUAL	29
HOPPER SYSTEM	31
ELECTRICAL SYSTEM	33
ACCESSORIES	35
WIRING DIAGRAM	37
RECOMMENDED PARTS	39

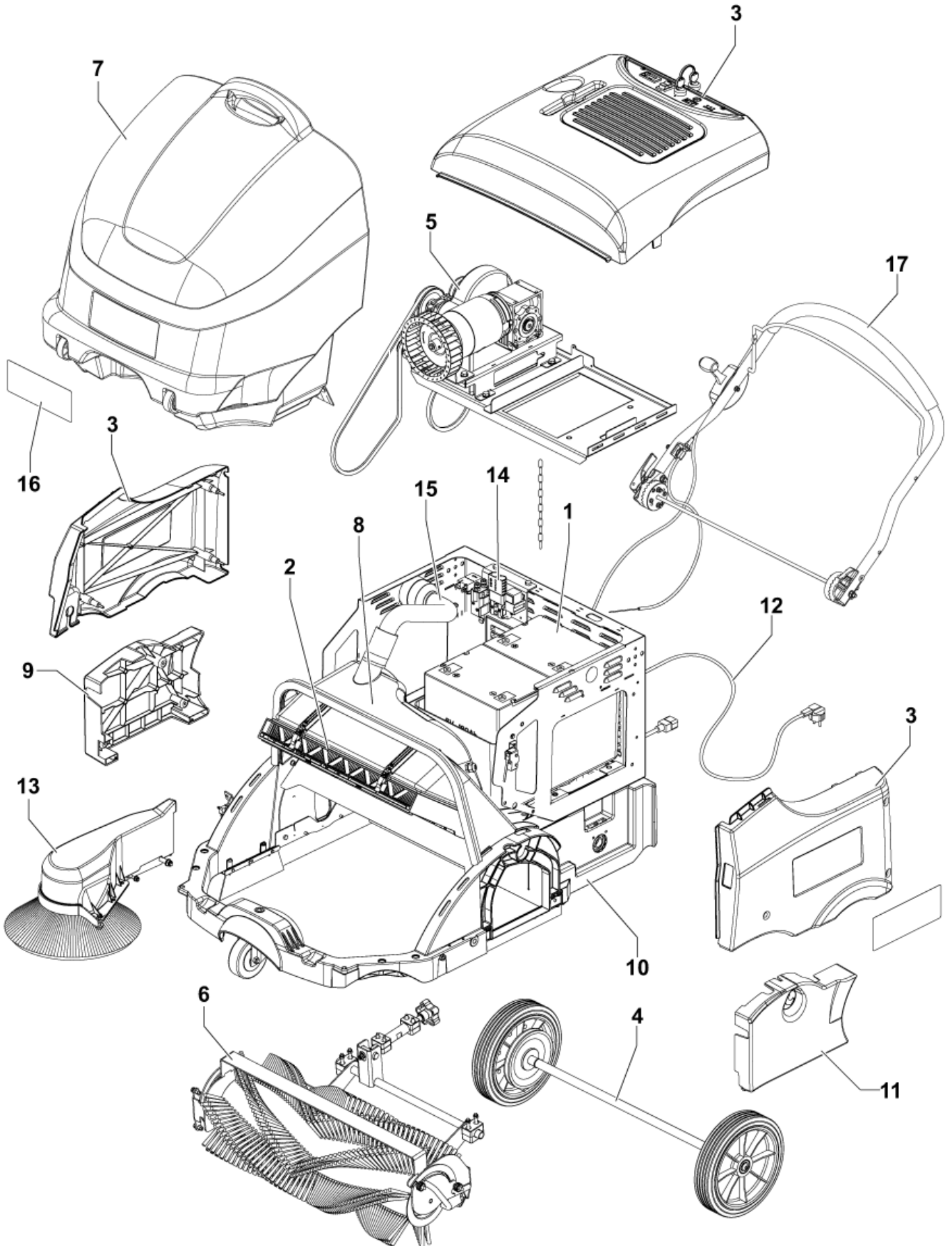
GENERAL VIEW

FLOORTEC 760 B

27-09-2014

Part List ID
ALFA10014

3



GENERAL VIEW

FLOORTEC 760 B

27-09-2014

Part List ID
ALF-A10014

4

Pos	Part no.	Qty	Description
1	80563211	2	BATT. 6V-175Ah WET Tubular Monobloc
1	80564000	2	BATT. 6V-180AH GEL MONOBLOC
1	80564400	1	BATT. 12V-105AH GEL MONOBLOC
1	80564600	1	BATT. 12V-110AH WET TUBULAR MONOBLOC
2		1	USE LINK
3		1	USE LINK
4		1	USE LINK
5		1	USE LINK
6		1	USE LINK
7		1	USE LINK
8		1	USE LINK
9		1	USE LINK
10		1	USE LINK
11		1	USE LINK
12		1	USE LINK
13		1	USE LINK
14		1	USE LINK
15		1	USE LINK
16	1465460000	1	DECALS FLOORTEC 760 KIT
17		1	USE LINK

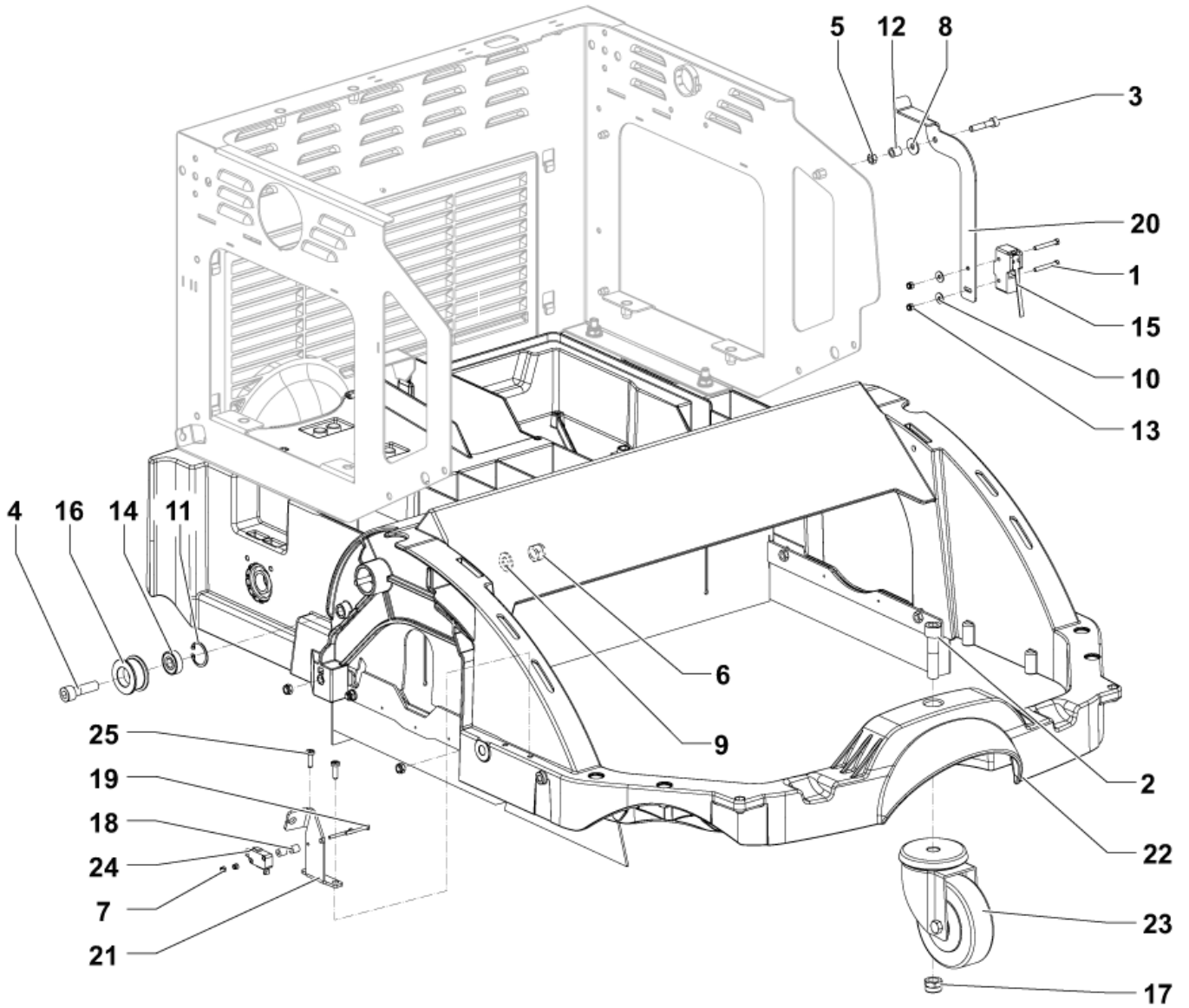
CHASSIS SYSTEM

FLOORTEC 760 B

27-09-2014

Part List ID
ALFA10020

5



CHASSIS SYSTEM

FLOORTEC 760 B

27-09-2014

Part List ID
ALF-A10020

6

Pos	Part no.	Qty	Description	
1		2	NOTE COMMENT	K1
2		1	NOTE COMMENT	K1
3		1	NOTE COMMENT	K1
4		1	NOTE COMMENT	K1
5		1	NOTE COMMENT	K1
6		1	NOTE COMMENT	K1
7		2	NOTE COMMENT	K1
8		1	NOTE COMMENT	K1
9		1	NOTE COMMENT	K1
10		2	NOTE COMMENT	K1
11		1	NOTE COMMENT	K1
12		1	NOTE COMMENT	K1
13		2	NOTE COMMENT	K1
14		1	NOTE COMMENT	K1
15	145 9679 000	1	MICROSWITCH 10A 250V	
16		1	NOTE COMMENT	K1
17		1	NOTE COMMENT	K1
18		2	NOTE COMMENT	K1
19		2	NOTE COMMENT	K1
20	1464998000	1	BRACKET FOR CONTAINER-COVER SWITCH	
21	1465013000	1	SUPPORT RIGHT SIDE BROOM SWITCH	
22	1465015000	1	CHASSIS	
23	909 6602 000	1	WHEEL CASTOR	
24	909 6677 000	1	MICROSWITCH	
25		2	NOTE COMMENT	K1
K1	1465461000	1	HARDWARE CHASSIS KIT	NOT SHOWN

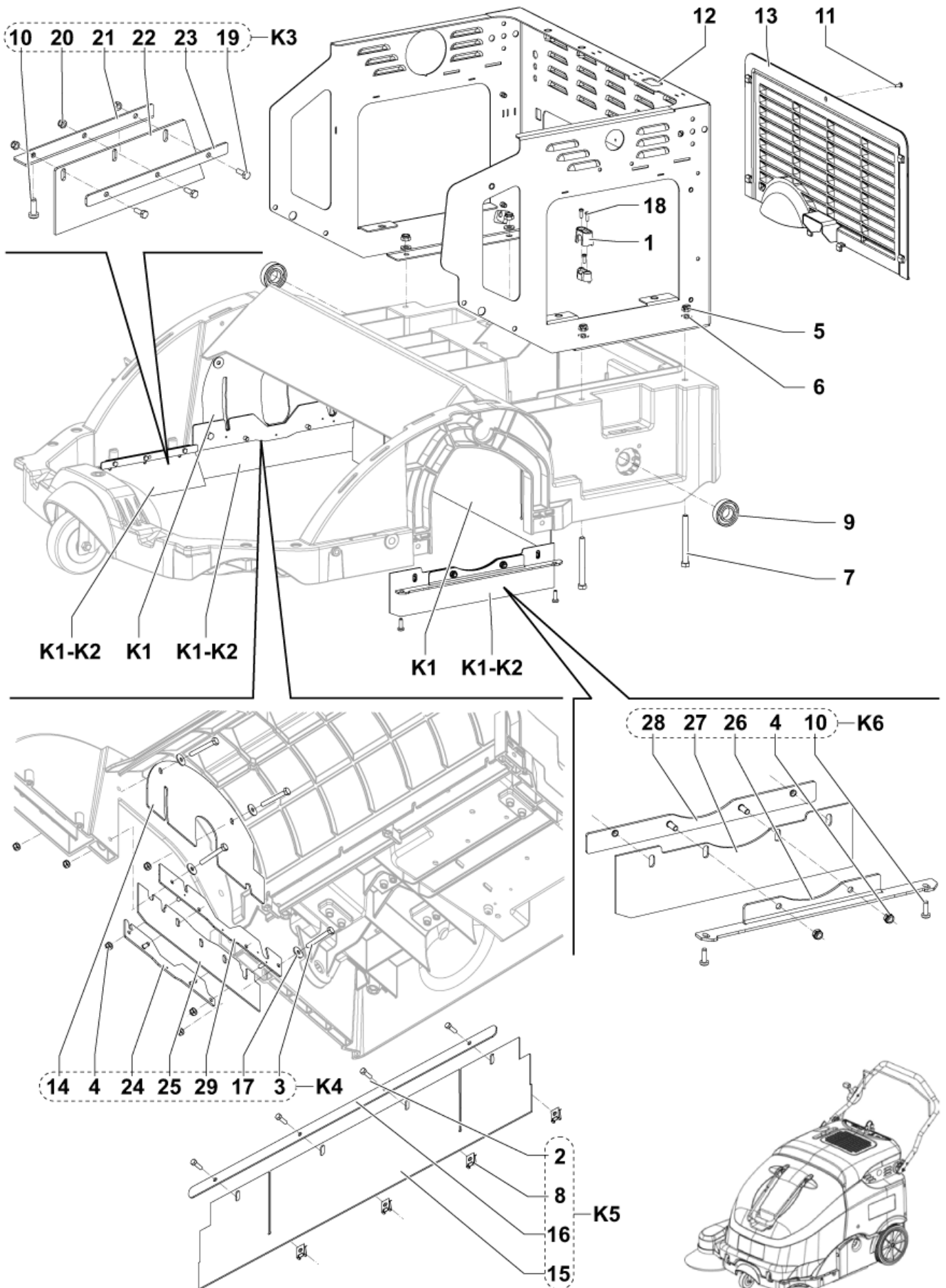
FRAME SYSTEM

FLOORTEC 760 B

27-09-2014

Part List ID
ALFA10032

7



FRAME SYSTEM

FLOORTEC 760 B

27-09-2014

Part List ID
ALF-A10032

8

Pos	Part no.	Qty	Description	
1		1	NOTE COMMENT	K7
2		4	NOTE COMMENT	K5 - K7
3		3	NOTE COMMENT	K4 - K7
4		6	NOTE COMMENT	K4 - K7
5		4	NOTE COMMENT	K7
6		4	NOTE COMMENT	K7
7		4	NOTE COMMENT	K7
8		4	NOTE COMMENT	K5 - K7
9		2	NOTE COMMENT	K7
10		4	NOTE COMMENT	K6
11		1	NOTE COMMENT	K7
12	1464654000	1	CHASSIS REAR	
13	1464655000	1	GRID REAR VENTING	
14		1	NOTE COMMENT	K1 - K4
15		1	NOTE COMMENT	K1 - K5
16		1	NOTE COMMENT	K5 - K7
17		2	NOTE COMMENT	K4 - K7
18		3	NOTE COMMENT	K7
19		3	NOTE COMMENT	K3 - K7
20		3	NOTE COMMENT	K3
21		1	NOTE COMMENT	K3
22		1	NOTE COMMENT	K1 - K3
23		1	NOTE COMMENT	K3
24		1	NOTE COMMENT	K4
25		1	NOTE COMMENT	K1 - K4
26		1	NOTE COMMENT	K6
27		1	NOTE COMMENT	K1 - K6
28		1	NOTE COMMENT	K6
29		1	NOTE COMMENT	K4
K1	1465463000	1	SKIRTS KIT	
K2	1465541000	1	SKIRTS NO MARKING KIT	
K3	1465595000	1	SKIRTS RECYCLING KIT	
K4	1465596000	1	SKIRT RIGHT SIDE KIT	
K5	1465597000	1	SKIRT REAR KIT	
K6	1465598000	1	SKIRT LEFT SIDE KIT	
K7	1465462000	1	HARDWARE REAR CHASSIS KIT	NOT SHOWN

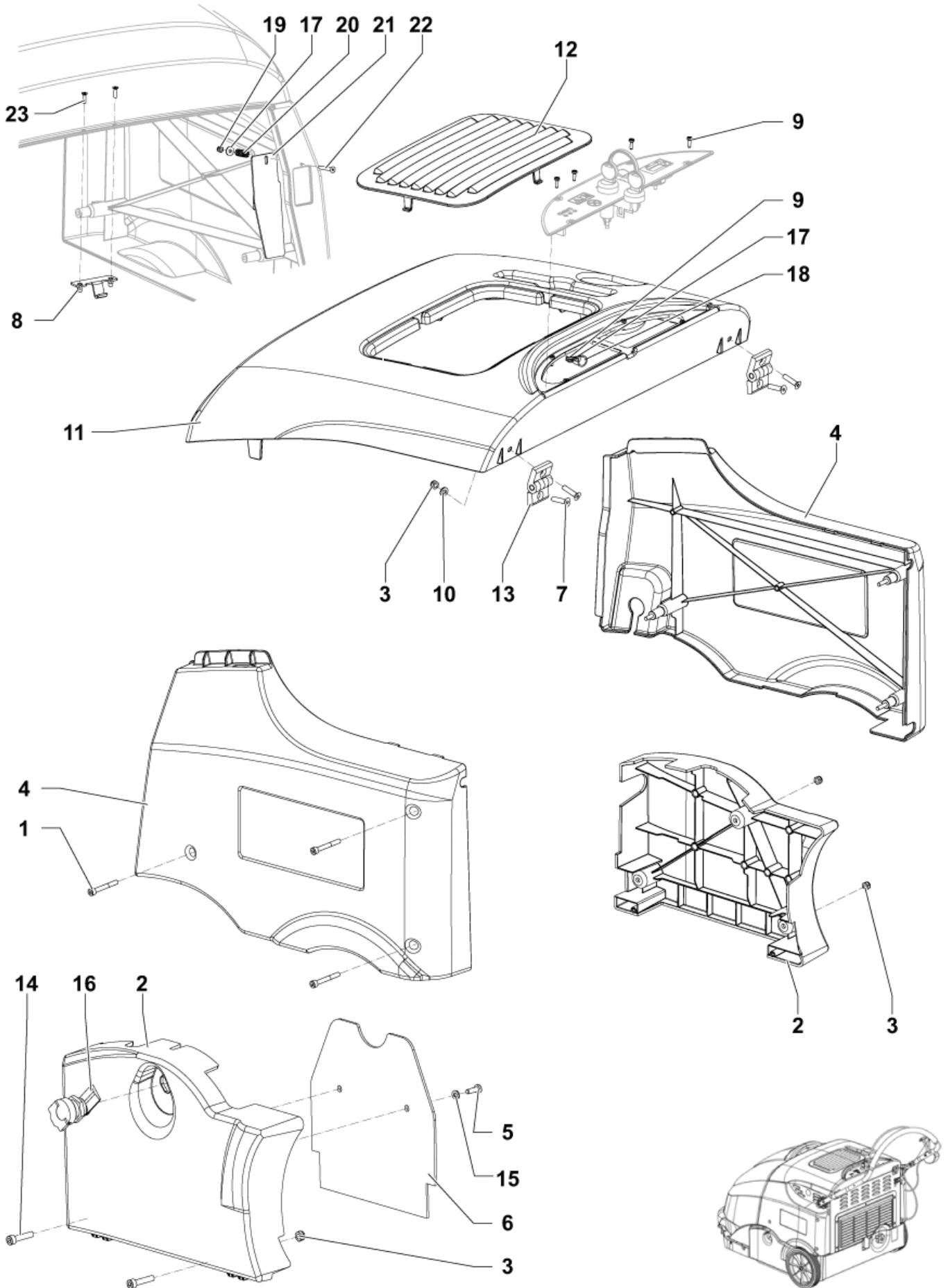
COVERS SYSTEM

FLOORTEC 760 B

27-09-2014

Part List ID
ALFA10044

9



COVERS SYSTEM

FLOORTEC 760 B

27-09-2014

Part List ID
ALF-A10044

10

Pos	Part no.	Qty	Description	
1		6	NOTE COMMENT	K1
2	1465545000	1	COVER UPPER BLACK KIT	
3		5	NOTE COMMENT	K1
4	1465544000	1	COVERS SIDE BLACK KIT	
5		2	NOTE COMMENT	K1
6	1465104000	1	SKIRT PROTECTION	
7		4	NOTE COMMENT	K1
8	1465482000	1	HOOK FOR BONNET CLOSING	
9		5	NOTE COMMENT	K1
10		2	NOTE COMMENT	K1
11	1466001000	1	COVER UPPER BLACK PKD	
12	1464696000	1	COVER UPPER FOR BATTERY	
13		2	NOTE COMMENT	K1
14		2	NOTE COMMENT	K1
15		2	NOTE COMMENT	K1
16	1464896000	1	LATCH WITH FOLD AWAY	
17		2	NOTE COMMENT	K1
18		1	NOTE COMMENT	K1
19		1	NOTE COMMENT	K1
20		1	NOTE COMMENT	K1
21	1465527000	1	PROTECTION POLY FOR MICROSWITCH	
22		1	NOTE COMMENT	K1
23		2	NOTE COMMENT	K1
K1	1465464000	1	HARDWARE COVERS KIT	NOT SHOWN
K2	1465920000	1	FIXING COVER KIT	NOT SHOWN

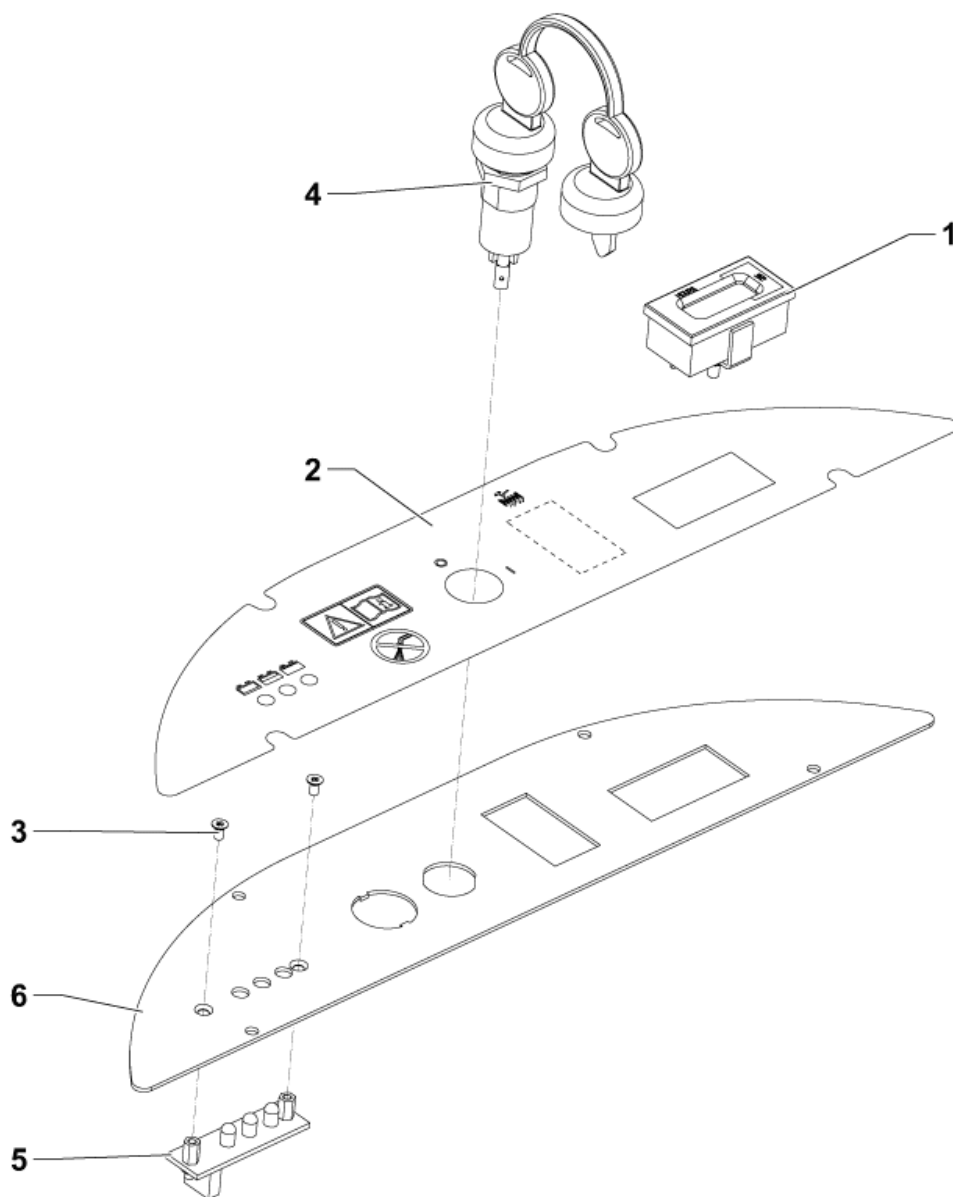
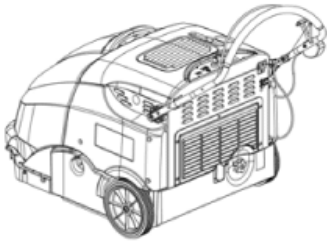
CONTROL PANEL SYSTEM

FLOORTEC 760 B

27-09-2014

Part List ID
ALFA10054

11



CONTROL PANEL SYSTEM

FLOORTEC 760 B

27-09-2014

Part List ID
ALF-A10054

12

Pos	Part no.	Qty	Description
1	9096951000	1	COUNTER HOUR 24V KIT OPTION
2	1465010000	1	DECAL CONTROL PANEL
3	909 5284 000	2	SCREW M3X6 UNI7688
4	146 2888 000	1	SWITCH KEY WITH CAP
5	146 3073 000	1	BOARD LED
6	1464765000	1	PANEL CONTROL

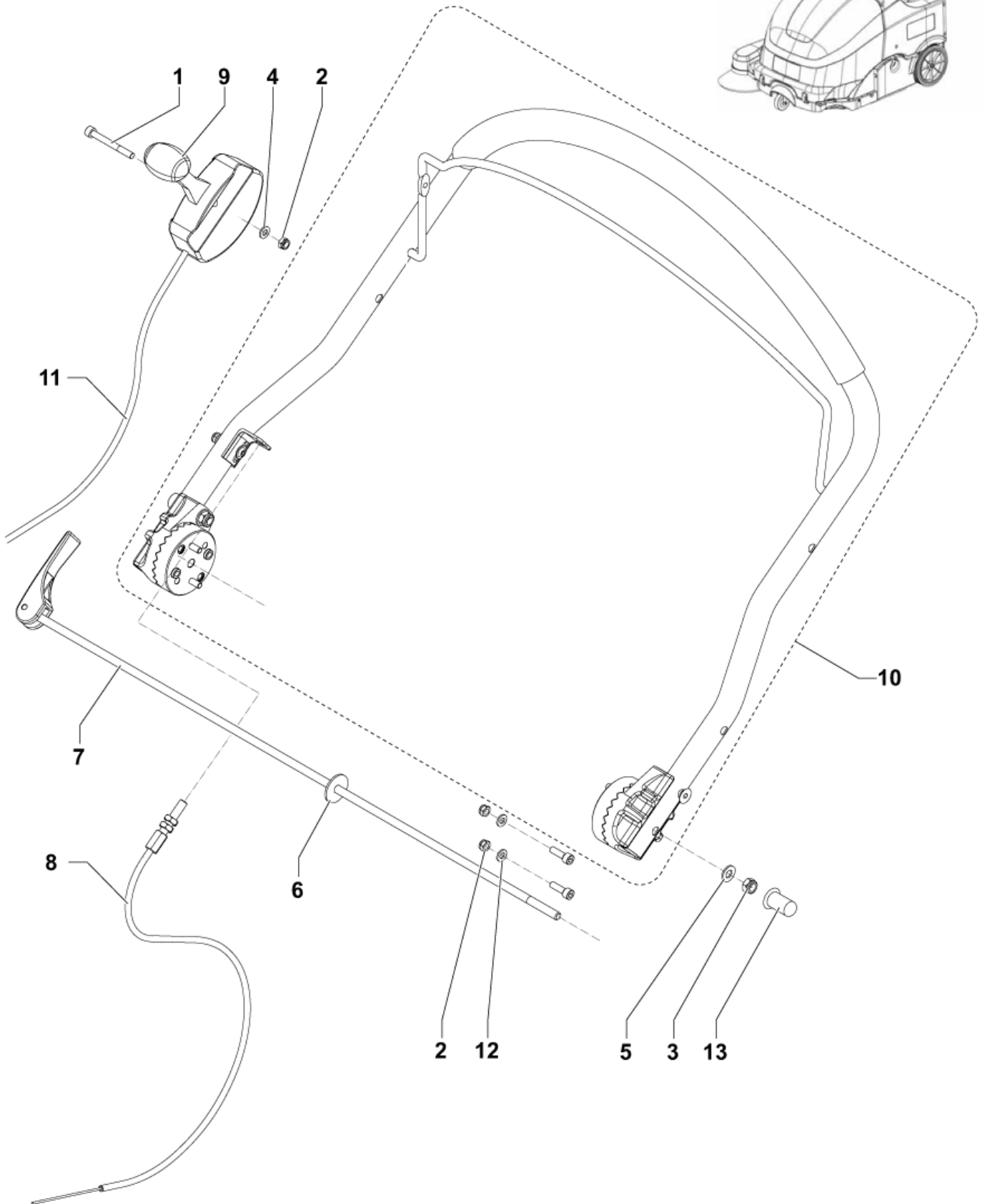
HANDLE SYSTEM

FLOORTEC 760 B

27-09-2014

Part List ID
ALFA10064

13



HANDLE SYSTEM

FLOORTEC 760 B

27-09-2014

Part List ID
ALF-A10064

14

Pos	Part no.	Qty	Description	
1		1	NOTE COMMENT	K1
2		6	NOTE COMMENT	K1
3		1	NOTE COMMENT	K1
4		1	NOTE COMMENT	K1
5		1	NOTE COMMENT	K1
6		1	NOTE COMMENT	K1
7	1464673000	1	LEVER HANDLE RELEASE	
8	1464908000	1	CABLE TRACTION	
9	1465017000	1	LEVER RIGHT SIDE BROOM CONTROL	
10	1465160000	1	HANDLE BAR ROUND	
11	1465532000	1	CABLE FOR SIDE BROOM LEVER	
12		4	NOTE COMMENT	K1
13		1	NOTE COMMENT	K1
K1	1465466000	1	HARDWARE HANDLE KIT	NOT SHOWN

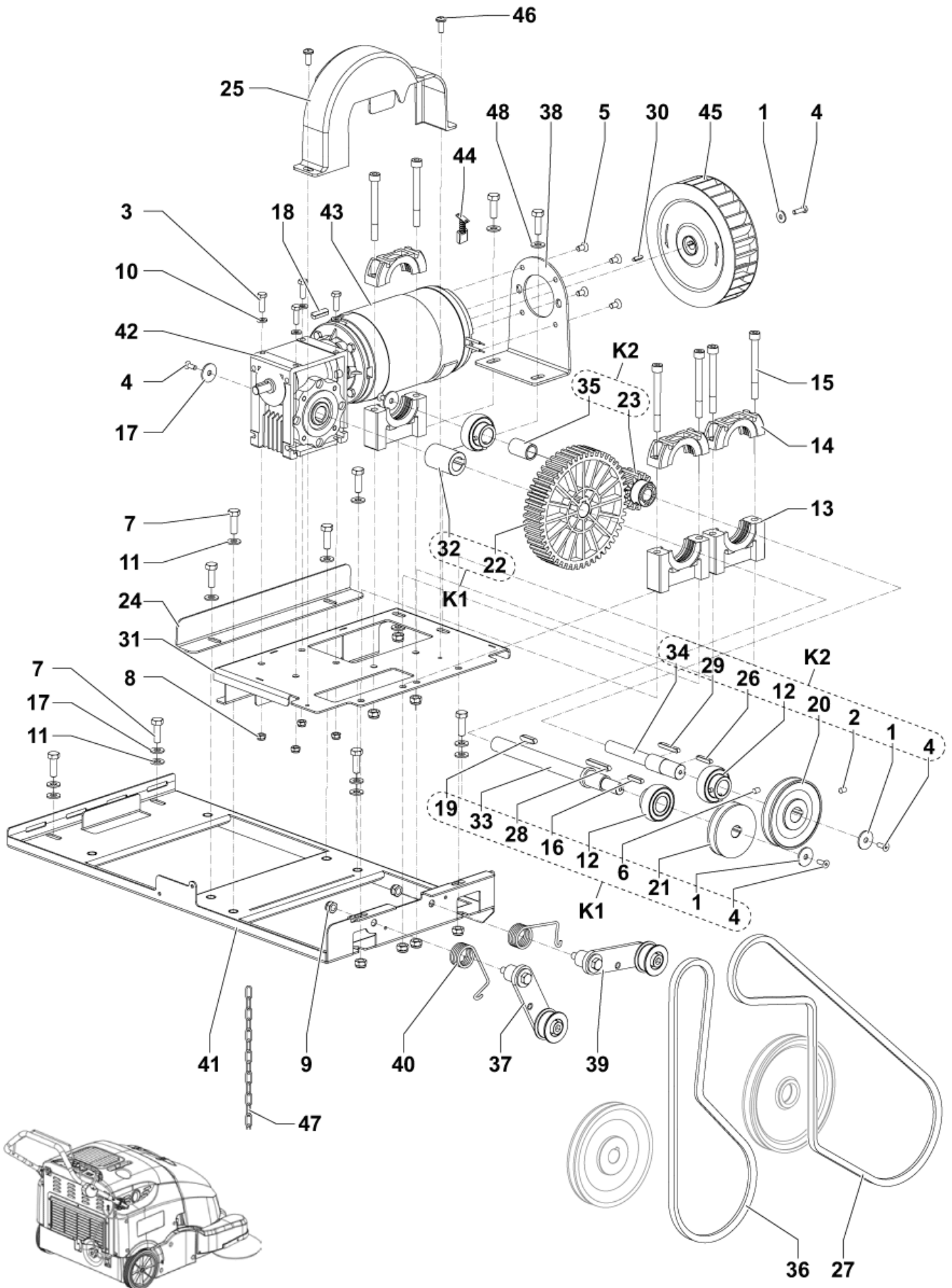
TRASMISSION SYSTEM

FLOORTEC 760 B

27-09-2014

Part List ID
ALFA10070

15



TRASMISSION SYSTEM

FLOORTEC 760 B

27-09-2014

Part List ID
ALF-A10070

16

Pos	Part no.	Qty	Description	
1		5	NOTE COMMENT	K1 - K2 - K3
2		1	NOTE COMMENT	K2
3		4	NOTE COMMENT	K3
4		5	NOTE COMMENT	K1 - K2 - K3
5		4	NOTE COMMENT	K3
6		1	NOTE COMMENT	K1
7		10	NOTE COMMENT	K2
8		4	NOTE COMMENT	K3
9		8	NOTE COMMENT	K3
10		8	NOTE COMMENT	K3
11		8	NOTE COMMENT	K3
12	145 1123 000	3	BEARING BALL YAT204	K1 - K2
13	145 1976 000	3	SUPPORT BEARING LOWER	
14	145 1977 000	3	SUPPORT BEARING UPPER	
15		6	NOTE COMMENT	K3
16		1	NOTE COMMENT	K1
17		6	NOTE COMMENT	K3
18		1	NOTE COMMENT	K3
19		1	NOTE COMMENT	K1
20		1	NOTE COMMENT	K2
21		1	NOTE COMMENT	K1
22	146 0523 000	1	GEAR Z50	K1
23	146 0524 000	1	GEAR Z14	K2
24	146 0543 000	1	BRACKET BATTERY RETAINING	
25	146 0605 000	1	COVER	
26		1	NOTE COMMENT	K3
27	146 0767 000	1	BELT XPZ 1162	
28		1	NOTE COMMENT	K1
29		1	NOTE COMMENT	K3
30		1	NOTE COMMENT	K3
31	1464681000	1	SUPPORT GEAR BOX	
32		1	NOTE COMMENT	K1
33		1	NOTE COMMENT	K1
34		1	NOTE COMMENT	K2
35		1	NOTE COMMENT	K2
36	1464687000	1	BELT XPZ 912	
37	1465601000	1	TENSIONER BELT WHEELS KIT	
38	1464703000	1	SUPPORT BEARING	
39	1465602000	1	TENSIONER BELT BROOM KIT	
40	1464719000	2	SPRING TORSION 2.8X24	
41	1464722000	1	PLATE TRANSMISSION SUPPORT	
42	1464725000	1	REDUCTION GEAR COMPLETE	
43	1464744000	1	MOTOR ELECTRIC 12V 680W	

TRASMISSION SYSTEM

FLOORTEC 760 B

27-09-2014

Part List ID
ALF-A10070

17

Pos	Part no.	Qty	Description	
44	1464433000	1	CARBON BRUSHES KIT 4 PCS	
45	1464747000	1	FAN D.160 X40	
46		2	NOTE COMMENT	K3
47	1465607000	1	CHAIN GROUND KIT	
48		4	NOTE COMMENT	K3
K1	1465599000	1	SHAFT TRACTION KIT	
K2	1465600000	1	SHAFT BROOM KIT	
K3	1465467000	1	HARDWARE TRASMISSION KIT	NOT SHOWN

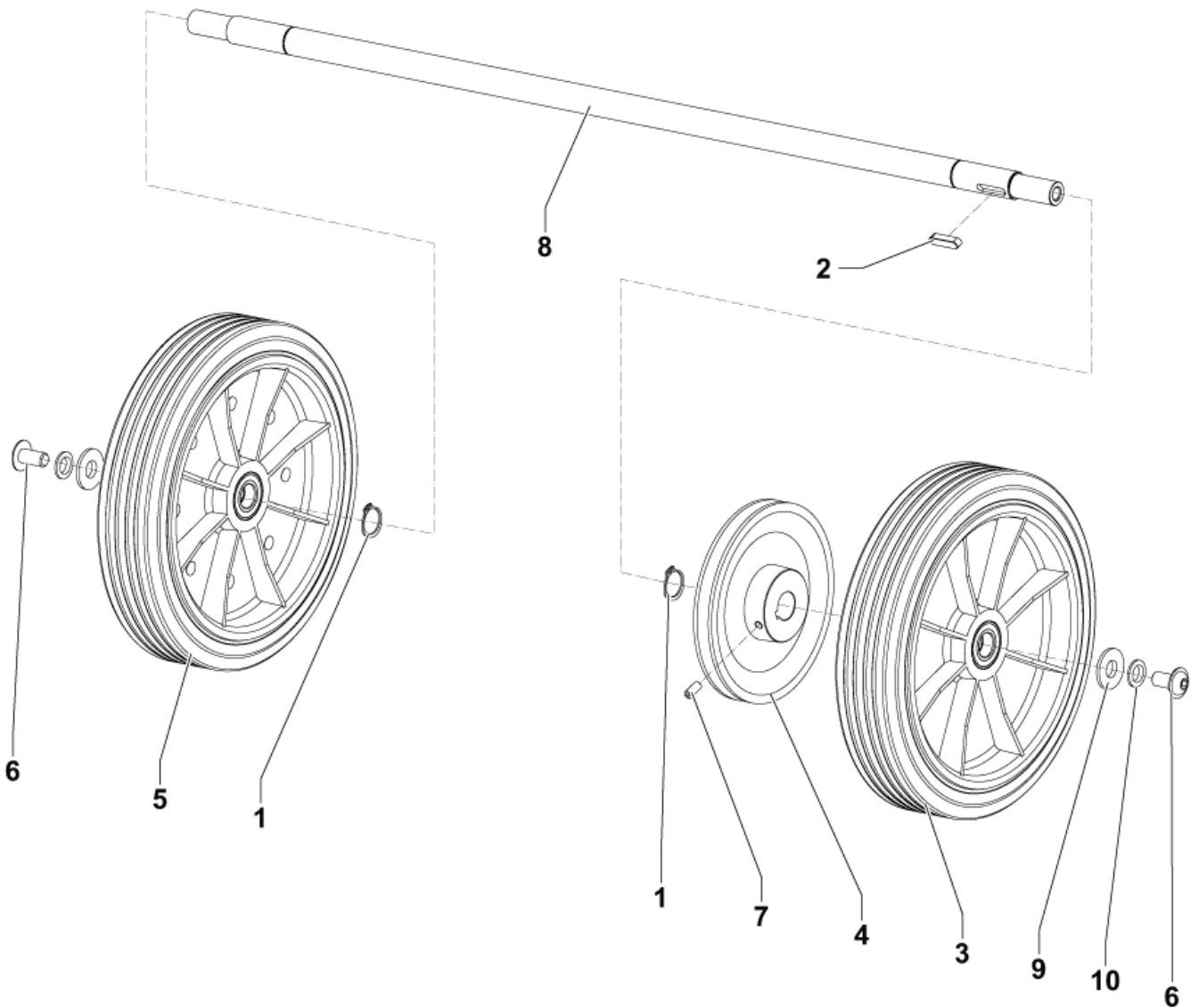
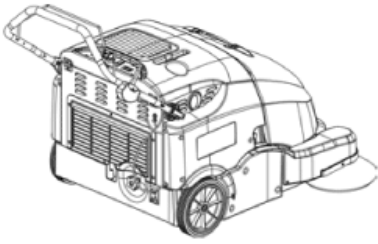
WHEELS SYSTEM

FLOORTEC 760 B

27-09-2014

Part List ID
ALFA10080

18



WHEELS SYSTEM

FLOORTEC 760 B

27-09-2014

Part List ID
ALF-A10080

19

Pos	Part no.	Qty	Description	
1		2	NOTE COMMENT	K1
2		1	NOTE COMMENT	K1
3	146 0513 000	1	WHEEL RIGHT	
4		1	NOTE COMMENT	K1
5	146 0518 000	1	WHEEL LEFT	
6		2	NOTE COMMENT	K1
7		1	NOTE COMMENT	K1
8	1464668000	1	SHAFT TRACTION WHEELS	
9		2	NOTE COMMENT	K1
10		2	NOTE COMMENT	K1
K1	1465469000	1	HARDWARE WHEELS KIT	NOT SHOWN

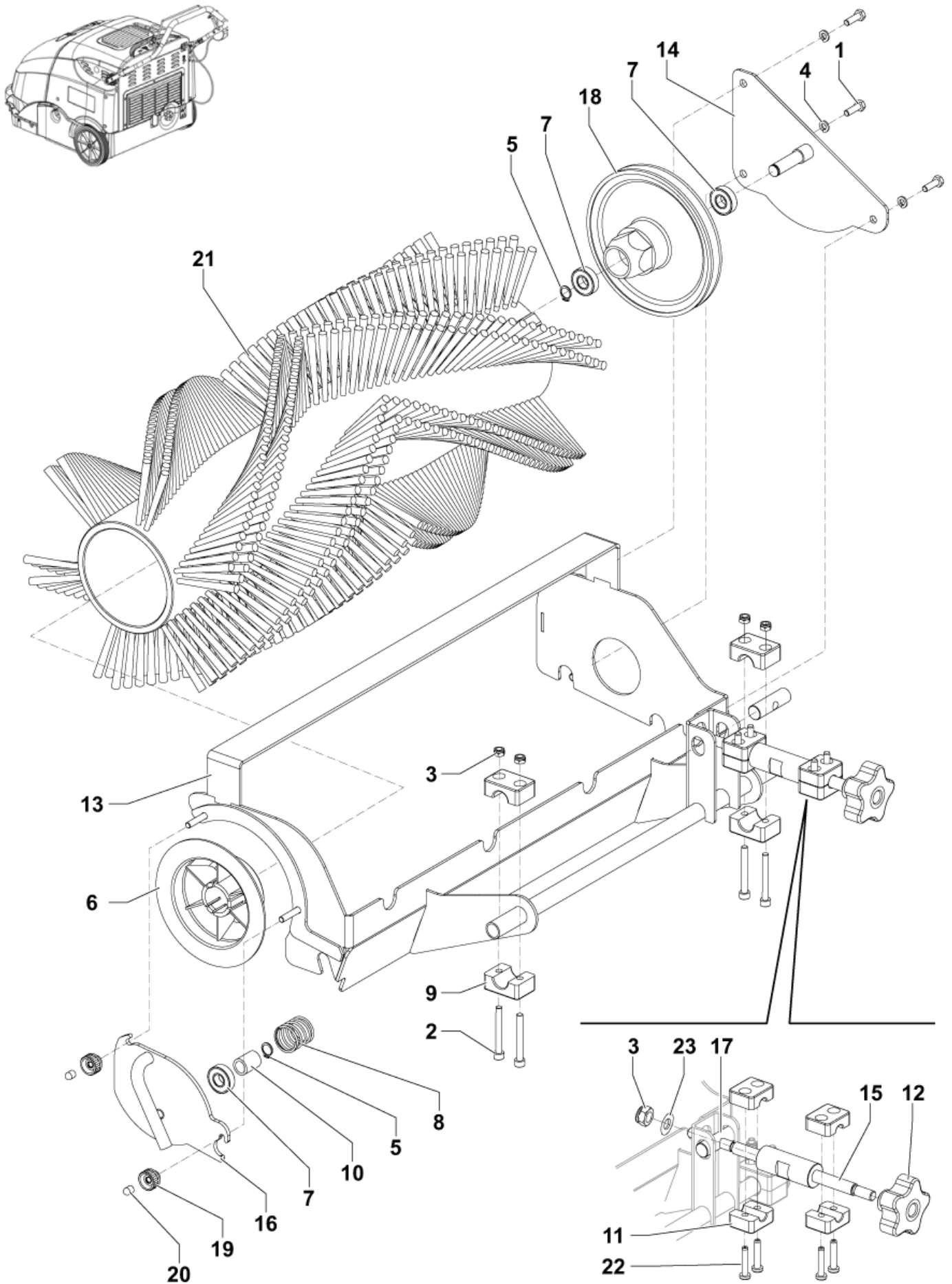
MAIN BROOM SYSTEM

FLOORTEC 760 B

27-09-2014

Part List ID
ALFA10090

20



MAIN BROOM SYSTEM

FLOORTEC 760 B

27-09-2014

Part List ID
ALF-A10090

21

Pos	Part no.	Qty	Description	
1		3	NOTE COMMENT	K1
2		4	NOTE COMMENT	K1
3		5	NOTE COMMENT	K1
4		3	NOTE COMMENT	K1
5		2	NOTE COMMENT	K1
6	145 0269 000	1	HUB LEFT MAIN BROOM	
7	145 0270 000	3	BEARING BALL 6001 2RS	
8		1	NOTE COMMENT	K1
9		2	NOTE COMMENT	K1
10		1	NOTE COMMENT	K1
11		2	NOTE COMMENT	K1
12	1464476000	1	KNOB BLACK/YELLOW	
13	1465487000	1	SUPPORT MAIN BROOM	
14	1465489000	1	SUPPORT BROOM PULLEY	
15	1464689000	1	SCREW BROOM ADJUSTMENT	
16	1464695000	1	SUPPORT IDLE HUB	
17		1	NOTE COMMENT	K1
18	1464746000	1	PULLEY MAIN BROOM	
19	1464885000	2	KNOB M6 D.20 PLASTIC	
20		2	NOTE COMMENT	K1
21	146 0750 000	1	BROOM MAIN 265X600 CHEVRON 6R MIX STELL	OPTION
21	1465215000	1	BROOM MAIN 265X600 CHEVR. 6R PPL 0.5-0.8	
21	1465216000	1	BROOM MAIN 265X600 CHEVRON 7R MIX 5	OPTION
22		4	NOTE COMMENT	K1
23		1	NOTE COMMENT	K1
K1	1465470000	1	HARDWARE MAIN BROOM KIT	NOT SHOWN

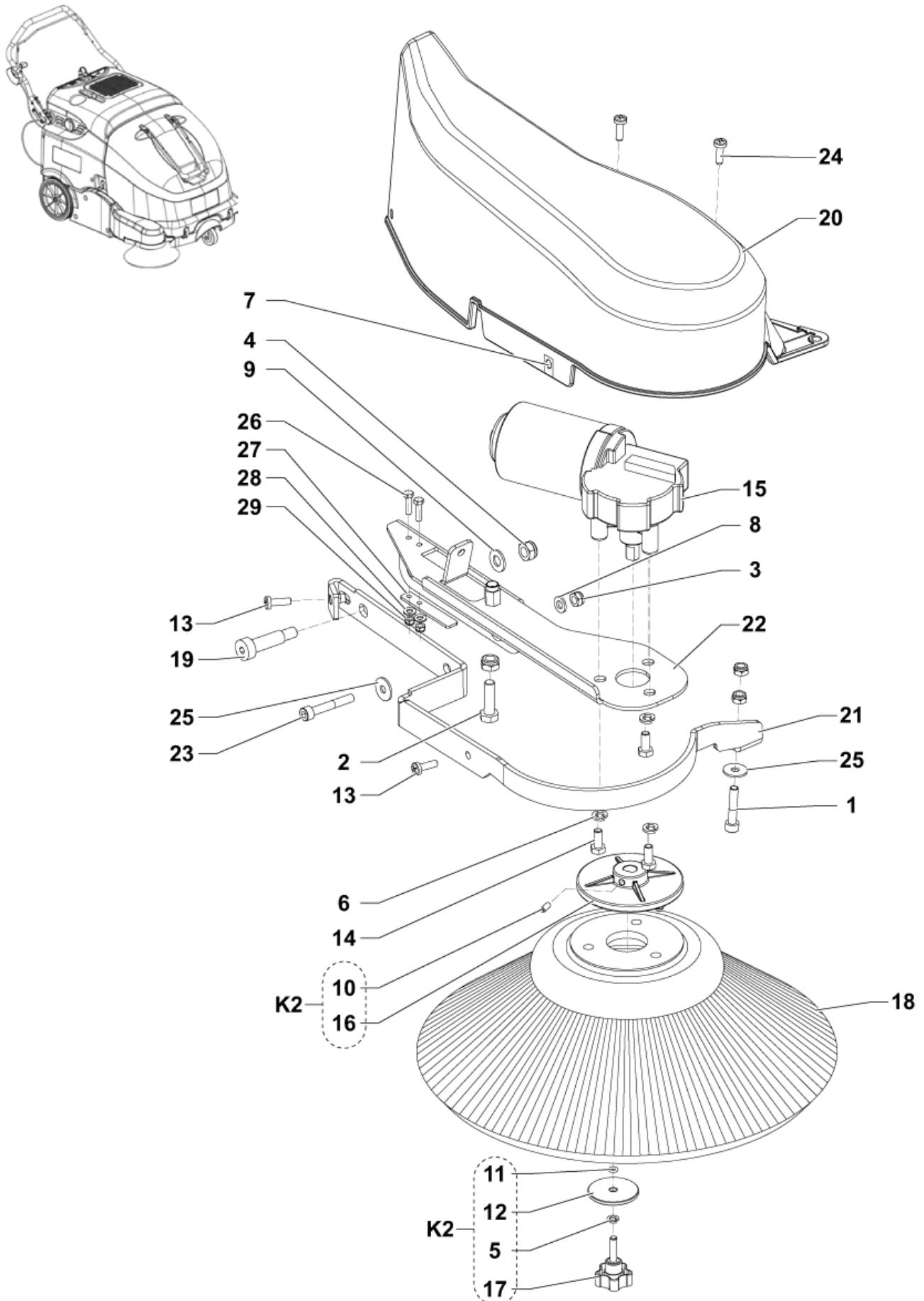
RIGHT BROOM

FLOORTEC 760 B

27-09-2014

Part List ID
ALFA10100

22



RIGHT BROOM

FLOORTEC 760 B

27-09-2014

Part List ID
ALF-A10100

23

Pos	Part no.	Qty	Description	
1		1	NOTE COMMENT	K1
2		1	NOTE COMMENT	K1
3		3	NOTE COMMENT	K1
4		2	NOTE COMMENT	K1
5		1	NOTE COMMENT	K2
6		3	NOTE COMMENT	K1
7		1	NOTE COMMENT	K1
8		1	NOTE COMMENT	K1
9		1	NOTE COMMENT	K1
10		1	NOTE COMMENT	K2
11		1	NOTE COMMENT	K2
12		1	NOTE COMMENT	K2
13		2	NOTE COMMENT	K1
14		3	NOTE COMMENT	K1
15	1465999000	1	REDUCTION GEARMOTOR 40W 12V PKD	
16		1	NOTE COMMENT	K2
17		1	NOTE COMMENT	K2
18	146 3035 000	1	BROOM SIDE 109X315 PPL 0.5	
18	146 3036 000	1	BROOM SIDE 145X300 NYLON	OPTION
19		1	NOTE COMMENT	
20	1464675000	1	COVER RIGHT SIDE BROOM	
21	1465497000	1	BUMPER RIGHT BROOM	
22	1465011000	1	SUPPORT RIGHT SIDE BROOM	
23		1	NOTE COMMENT	K1
24		2	NOTE COMMENT	K1
25		2	NOTE COMMENT	K1
26		2	NOTE COMMENT	K1
27		1	NOTE COMMENT	K1
28		2	NOTE COMMENT	K1
29		2	NOTE COMMENT	K1
K1	1465471000	1	HARDWARE SIDE BROOM KIT	NOT SHOWN
K2	1463865000	1	HUB SIDE BROOM FIXING KIT	

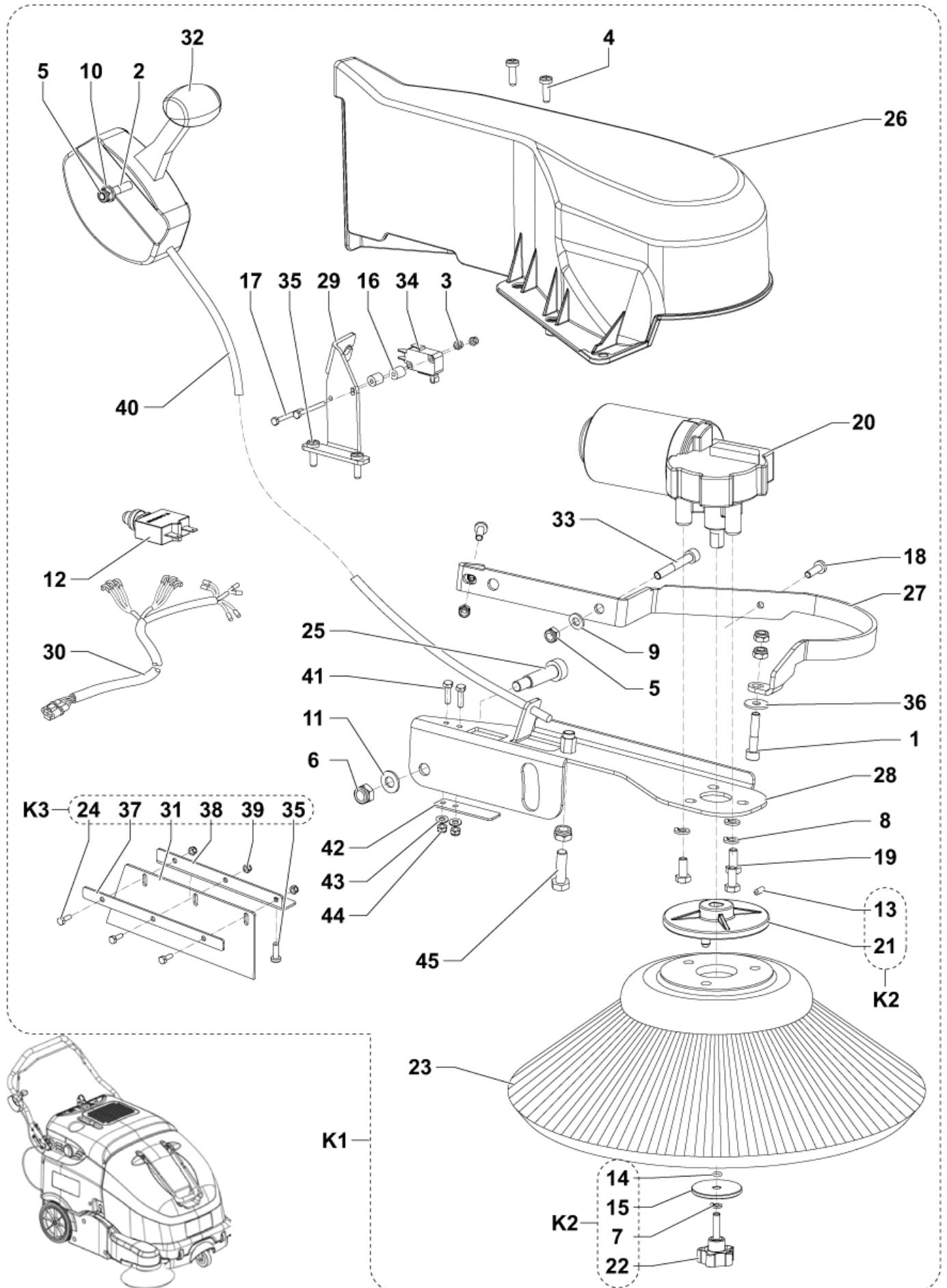
LEFT BROOM (OPTIONAL)

FLOORTEC 760 B

27-09-2014

Part List ID
ALFA10110

24



LEFT BROOM (OPTIONAL)

FLOORTEC 760 B

27-09-2014

Part List ID
ALF-A10110

25

Pos	Part no.	Qty	Description	
1		1	NOTE COMMENT	K4
2		1	NOTE COMMENT	K4
3		2	NOTE COMMENT	K4
4		2	NOTE COMMENT	K4
5		4	NOTE COMMENT	K4
6		2	NOTE COMMENT	K4
7		1	NOTE COMMENT	K2
8		3	NOTE COMMENT	K2
9		1	NOTE COMMENT	K4
10		2	NOTE COMMENT	K4
11		1	NOTE COMMENT	K4
12	1465605000	1	CIRCUIT BREAKER 5A KIT	K1
13		1	NOTE COMMENT	K2
14		1	NOTE COMMENT	K2
15		1	NOTE COMMENT	K2
16		2	NOTE COMMENT	K4
17		2	NOTE COMMENT	K4
18		2	NOTE COMMENT	K4
19		3	NOTE COMMENT	K2
20	1465999000	1	REDUCTION GEARMOTOR 40W 12V PKD	K1
21		1	NOTE COMMENT	K2
22		1	NOTE COMMENT	K2
23	146 3035 000	1	BROOM SIDE 109X315 PPL 0.5	K1
23	146 3036 000	1	BROOM SIDE 145X300 NYLON	OPTION
24		3	NOTE COMMENT	K3 - K4
25		1	NOTE COMMENT	K4
26	1464676000	1	COVER LEFT SIDE BROOM	K1
27	1465498000	1	BUMPER LEFT BROOM	K1
28	1465012000	1	SUPPORT LEFT SIDE BROOM	K1
29	1465014000	1	SUPPORT LEFT SIDE BROOM SWITCH	K1
30	1465142000	1	HARNESS LEFT BROOM	K1
31		1	NOTE COMMENT	K3
32	1465183000	1	LEVER LEFT SIDE BROOM CONTROL	K1
33		1	NOTE COMMENT	K4
34	909 6677 000	1	MICROSWITCH	K1
35		2	NOTE COMMENT	K3 - K4
36		2	NOTE COMMENT	K3 - K4
37		1	NOTE COMMENT	K3 - K4
38		1	NOTE COMMENT	K3 - K4
39		3	NOTE COMMENT	K3 - K4
40	1465532000	1	CABLE FOR SIDE BROOM LEVER	K3 - K4
41		2	NOTE COMMENT	K4
42		1	NOTE COMMENT	K4

LEFT BROOM (OPTIONAL)

FLOORTEC 760 B

27-09-2014

Part List ID
ALFA10110

26

Pos	Part no.	Qty	Description	
43		2	NOTE COMMENT	K4
44		2	NOTE COMMENT	K4
45		1	NOTE COMMENT	K4
K1	1465408000	1	BROOM LEFT SIDE PPL KIT	OPTION - INST. INTR. 1465407000
K2	1463865000	1	HUB SIDE BROOM FIXING KIT	K1
K3	1465595000	1	SKIRTS RECYCLING KIT	K1
K4	1465471000	1	HARDWARE SIDE BROOM KIT	NOT SHOWN - K1

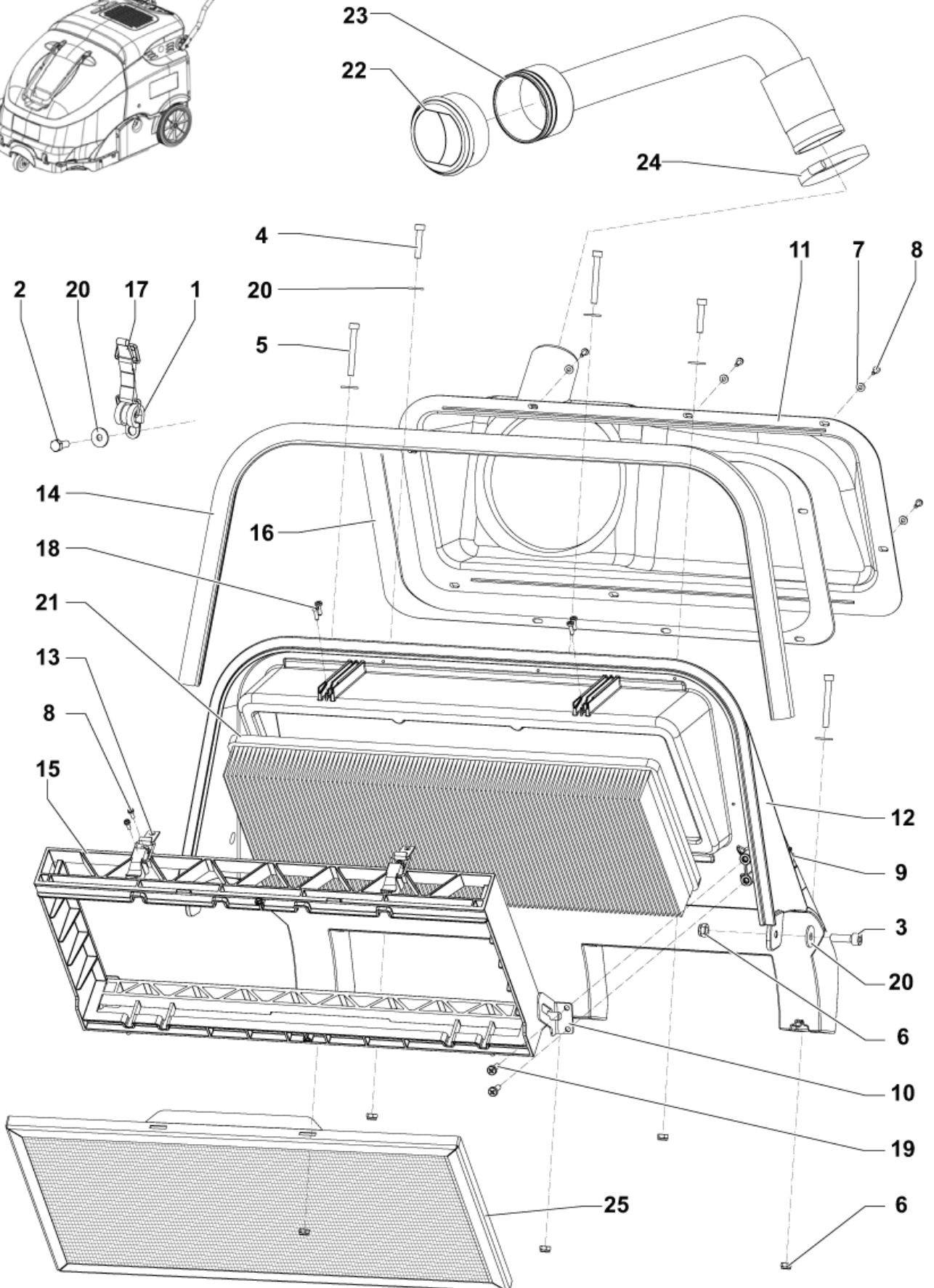
FILTER SYSTEM

FLOORTEC 760 B

27-09-2014

Part List ID
ALFA10122

27



FILTER SYSTEM

FLOORTEC 760 B

27-09-2014

Part List ID
ALF-A1012Z

28

Pos	Part no.	Qty	Description	
1	33003435	1	DOUBLE COLLAR D5	
2		1	NOTE COMMENT	K1
3		2	NOTE COMMENT	K1
4		2	NOTE COMMENT	K1
5		3	NOTE COMMENT	K1
6		8	NOTE COMMENT	K1
7		8	NOTE COMMENT	K1
8		12	NOTE COMMENT	K1
9		2	NOTE COMMENT	K1
10		2	NOTE COMMENT	K1
13	1464884000	2	LOCK LEVER	
14	1465610000	1	GASKET BULB REINFORCED L.1070MM PKD	
15	1465146000	1	FRAME FOR PANEL FILTER	
16	1465517000	1	GASKET FOR CONVEYOR	
17	1465525000	1	LATCH RUBBER	
18		4	NOTE COMMENT	K1
19		4	NOTE COMMENT	K1
20		9	NOTE COMMENT	K1
21	1464691000	1	FILTER POLYESTER	OPTION
21	1464902000	1	FILTER PAPER	
22	33010103	1	DIFFUSER AIR	
23	1464887000	1	HOSE WET BY-PASS	
24	145 0543 000	1	CLAMP 14/32-52	
25	1465018000	1	PREFILTER	
K1	1465472000	1	SUPPORT FILTER KIT	NOT SHOWN

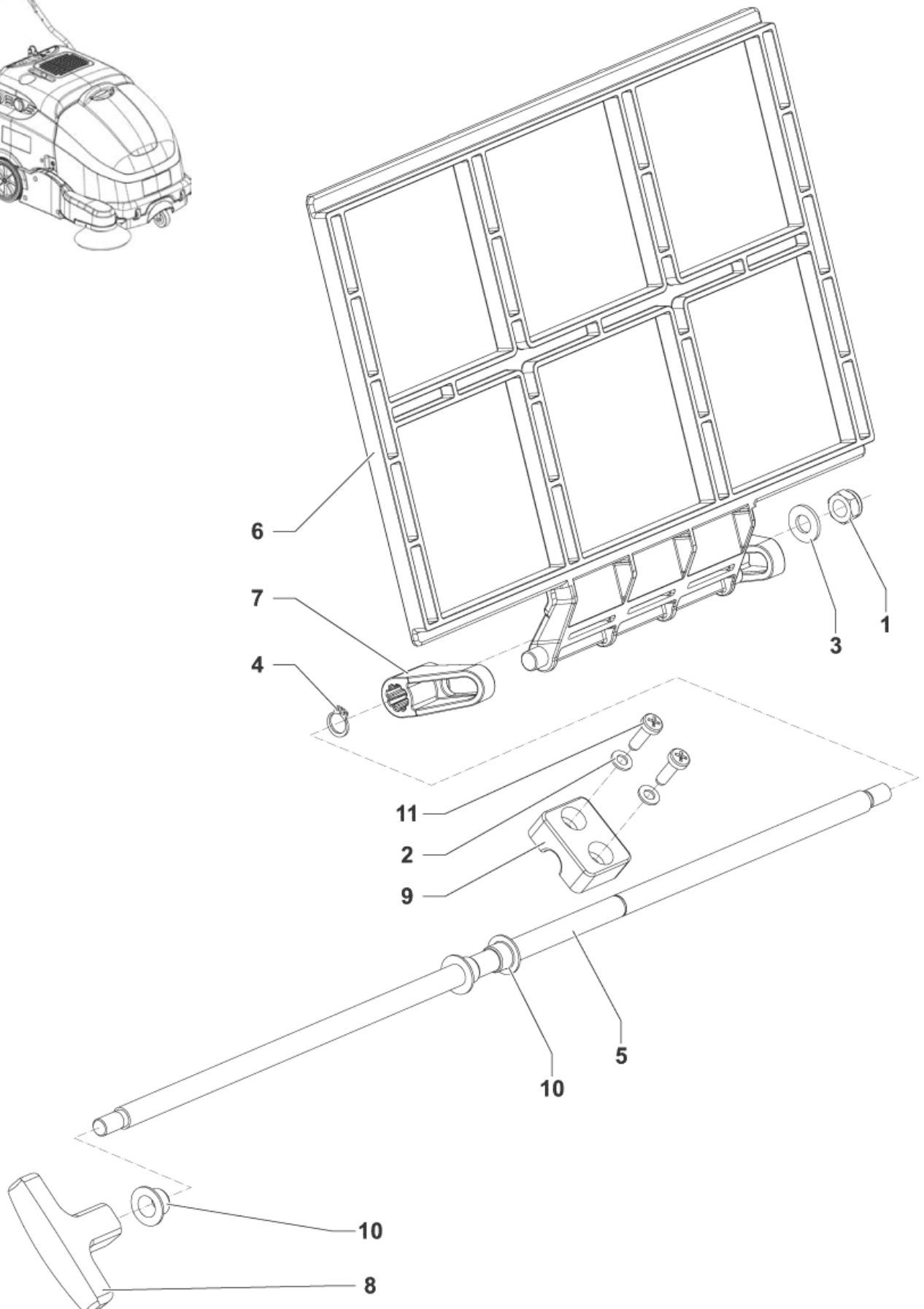
FILTER SHAKER MANUAL

FLOORTEC 760 B

27-09-2014

Part List ID
ALFA10132

29



FILTER SHAKER MANUAL

FLOORTEC 760 B

27-09-2014

Part List ID
ALF-A1013Z

30

Pos	Part no.	Qty	Description	
1		1	NOTE COMMENT	K1
2		2	NOTE COMMENT	K1
3		1	NOTE COMMENT	K1
4		1	NOTE COMMENT	K1
5	1465028000	1	ROD FILTER SHAKER	K2
6	1465029000	1	RAKE FILTER SHAKER	K2
7	1465030000	2	DRAGGER FILTER SHAKER	K2
8	1465103000	1	HANDLE M8 PLASTIC	K2
9		1	NOTE COMMENT	K1
10		3	NOTE COMMENT	K1
11		2	NOTE COMMENT	K1
K1	1465479000	1	HARDWARE MANUAL FILTER SHAKER KIT	NOT SHOWN - K2
K2	1465480000	1	FILTER SHAKER MANUAL KIT	NOT SHOWN

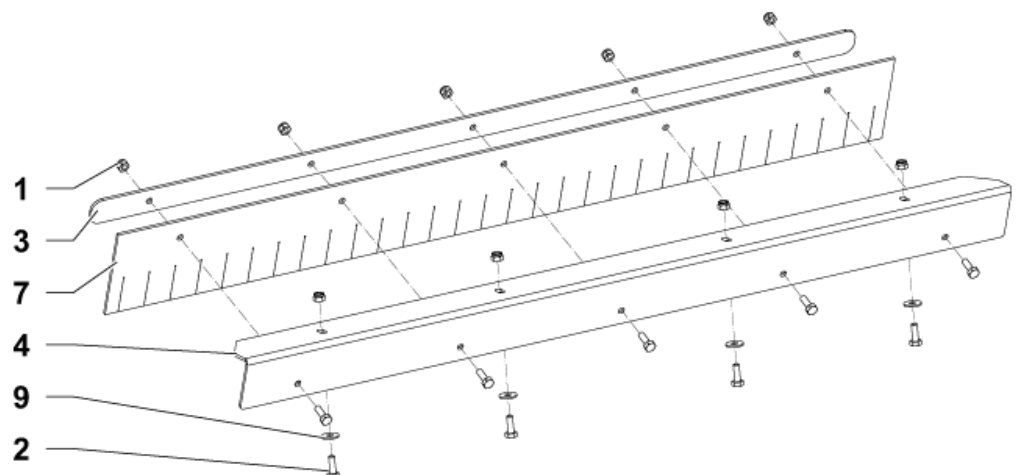
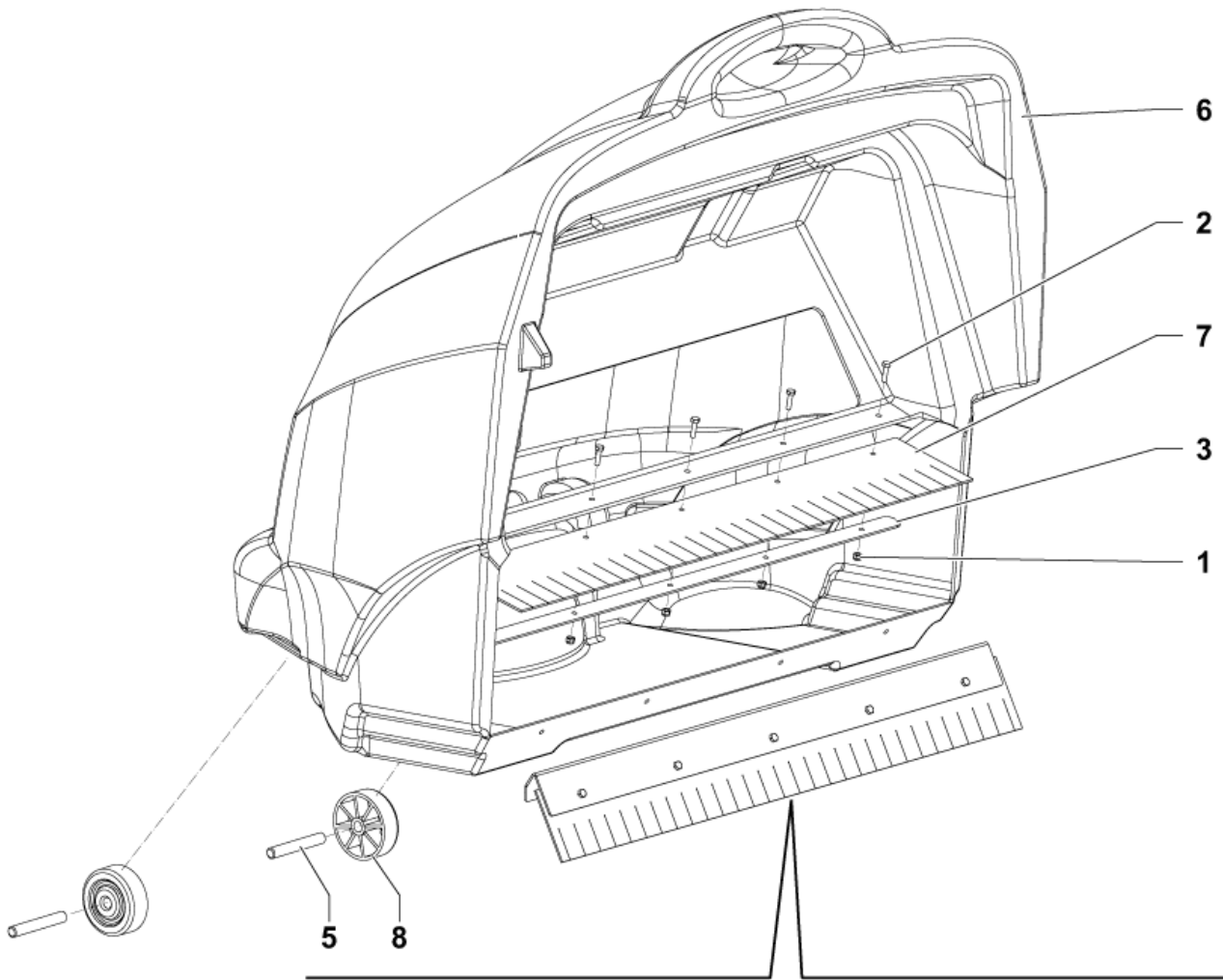
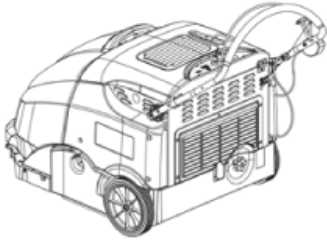
HOPPER SYSTEM

FLOORTEC 760 B

27-09-2014

Part List ID
ALFA10142

31



HOPPER SYSTEM

FLOORTEC 760 B

27-09-2014

Part List ID
ALF-A1014Z

32

Pos	Part no.	Qty	Description	
1		14	NOTE COMMENT	K1
2		14	NOTE COMMENT	K1
3		2	NOTE COMMENT	K1
4		1	NOTE COMMENT	K1
5	1464997000	2	PIN D.9.5X70	
6	1465149000	1	CONTAINER WASTE BLUE	
7	1465476000	1	SKIRTS WASTE CONTAINER KIT	
8	L08602460	2	ROLLER BUMPER	
9		9	NOTE COMMENT	K1
K1	1465475000	1	HARDWARE WASTE CONTAINER KIT	NOT SHOWN

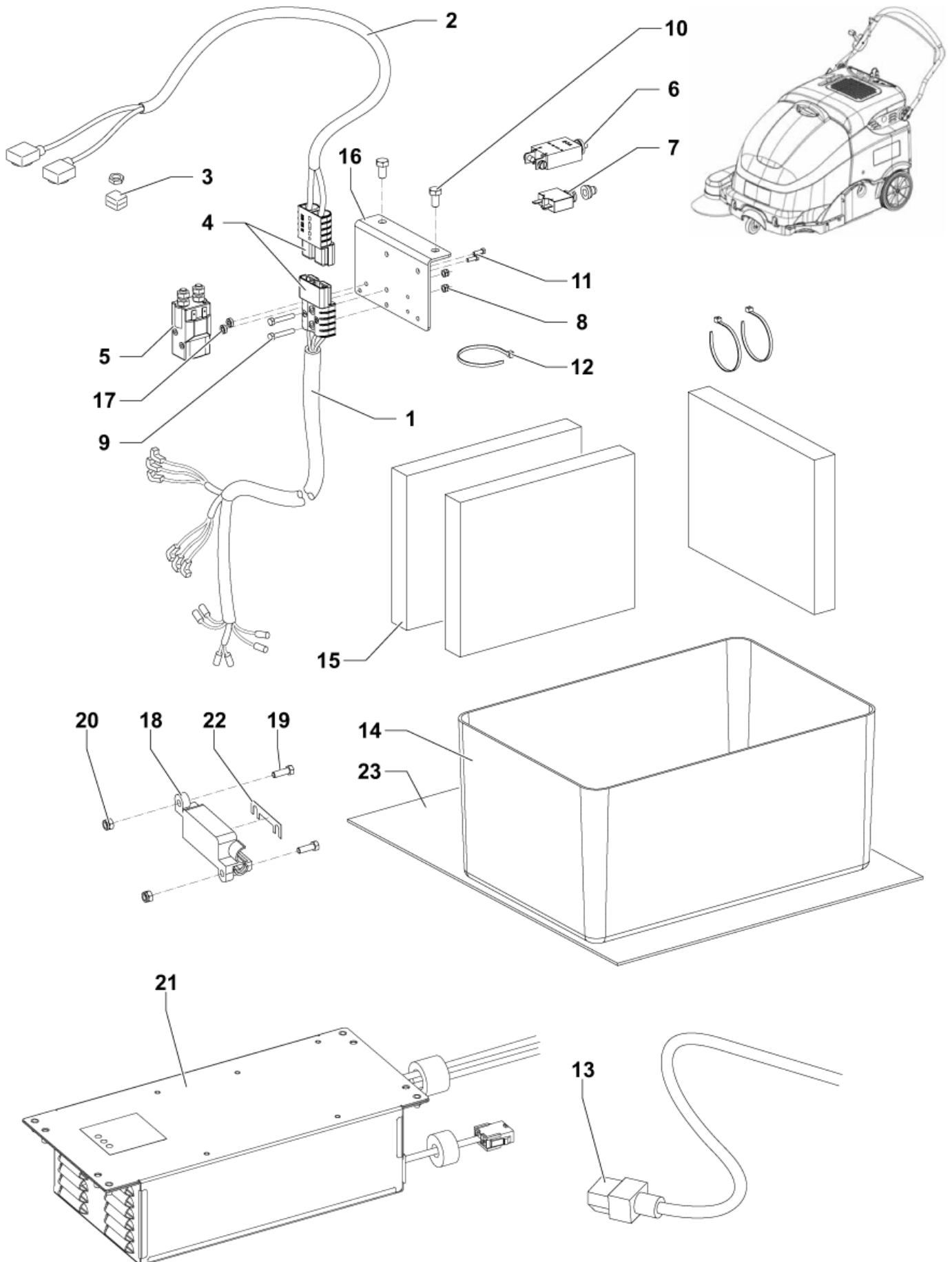
ELECTRICAL SYSTEM

FLOORTEC 760 B

27-09-2014

Part List ID
ALFA10154

33



ELECTRICAL SYSTEM

FLOORTEC 760 B

27-09-2014

Part List ID
ALF-A10154

34

Pos	Part no.	Qty	Description	
1	1465495000	1	HARNESS MACHINE B	
2	1464992000	1	HARNESS BATTERY	
3	9099756000	1	FUSE 125A	
4	146 0747 000	2	CONNECTOR 120A GREY	
5	1464904000	1	SWITCH ELECTROMAGNETIC 12V 100A	
6	1465606000	1	CIRCUIT BREAKER 70A KIT	
7	1465605000	1	CIRCUIT BREAKER 5A KIT	
8		2	NOTE COMMENT	K1
9		2	NOTE COMMENT	K1
10		2	NOTE COMMENT	K1
11		2	NOTE COMMENT	K1
12		3	NOTE COMMENT	K1
13	1465603000	1	CABLE EXTENSION EU WITH FERRITE	
14	145 5252 000	1	CONTAINER BATTERY	
15	146 0668 000	3	PANEL INSULATING	
16	1464698000	1	SUPPORT RELAIS AND FUSES	
17		2	NOTE COMMENT	
18	145 8046 000	1	HOLDER FUSE	
19		2	NOTE COMMENT	K1
20		2	NOTE COMMENT	K1
21	1465494000	1	CHARGER BATT. ON BOARD 12V 25A 100-230V	
22	1465102000	1	FUSE STRIP 30A	
23	1465500000	1	RUBBER PROTECTION CHARGER	
K1	1465478000	1	HARDWARE ELECTRICAL SYSTEM KIT	NOT SHOWN

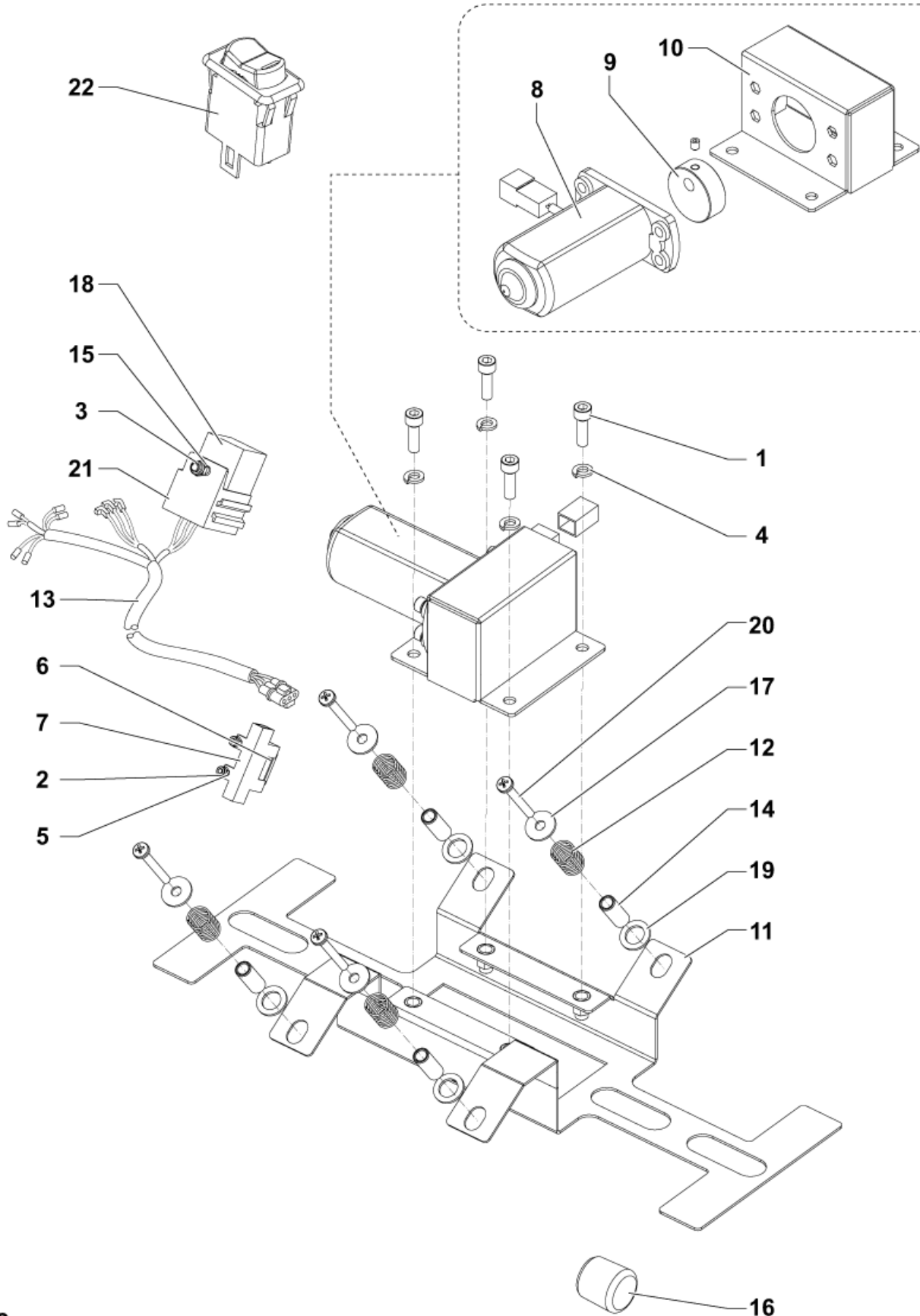
ACCESSORIES

FLOORTEC 760 B

27-09-2014

Part List ID
ALFA10162

35



K2

ACCESSORIES

FLOORTEC 760 B

27-09-2014

Part List ID
ALF-A1016Z

36

Pos	Part no.	Qty	Description
1		4	NOTE COMMENT
2		2	NOTE COMMENT
3		1	NOTE COMMENT
4		4	NOTE COMMENT
5		2	NOTE COMMENT
6	145 9852 000	1	FUSE BLADE 5A UL
7	146 0660 000	1	HOLDER FUSE THERMOPL. UL 94-V0
8	146 0527 000	1	MOTOR FILTER SHAKER 10W 12V
9	145 8376 000	1	CAM
10	146 0577 000	1	BRACKET. FILTER SHAKER
11		1	NOTE COMMENT
12		4	NOTE COMMENT
13	1465143000	1	HARNESS FILTER SHAKER
14		4	NOTE COMMENT
15		1	NOTE COMMENT
16		1	NOTE COMMENT
17		4	NOTE COMMENT
18	9098441000	1	RELAY 12V
19		4	NOTE COMMENT
20		4	NOTE COMMENT
21	33009104	1	RELAY SUPPORT
22	1465465000	1	SWITCH KIT
K1	1465473000	1	HARDWARE EL. FILTER SHAKER KIT
K2	1465474000	1	FILTER SHAKER ELECTRIC KIT

OPTION - INST. INTR. 1465627000

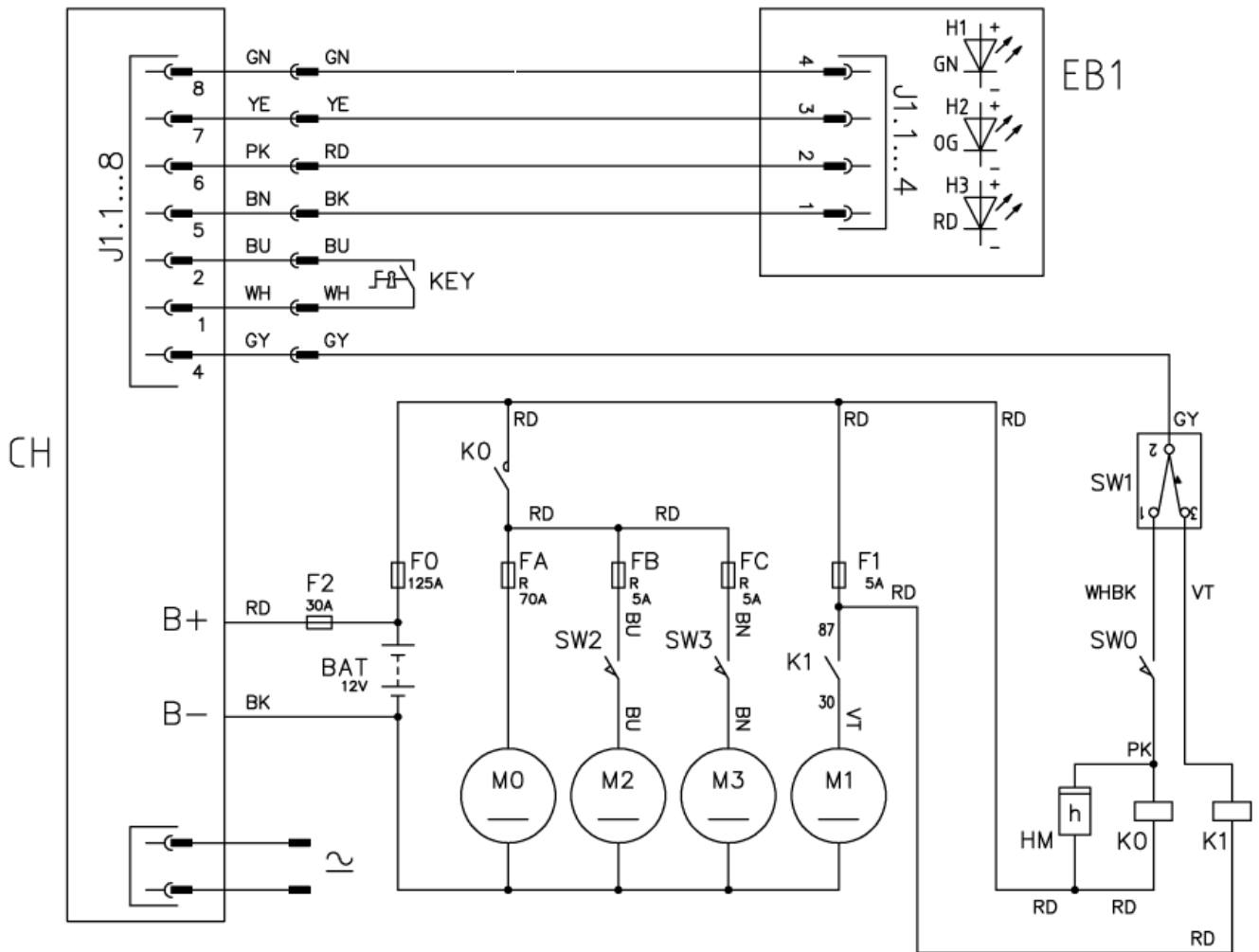
WIRING DIAGRAM

FLOORTEC 760 B

27-09-2014

Part List ID
ALFA10170

37



WIRING DIAGRAM

FLOORTEC 760 B

27-09-2014

Part List ID
ALF-A10170

38

Pos	Part no.	Qty	Description
CH	1465494000	1	CHARGER BATT. ON BOARD 12V 25A 100-230V
F0	9099756000	1	FUSE 125A
F1	145 9853 000	1	FUSE 15A
F2	1465102000	1	FUSE STRIP 30A
FA	1465606000	1	CIRCUIT BREAKER 70A KIT
FB	1465605000	1	CIRCUIT BREAKER 5A KIT
FC	1465605000	1	CIRCUIT BREAKER 5A KIT
HM	9096951000	1	COUNTER HOUR 24V KIT
K0	1464904000	1	SWITCH ELECTROMAGNETIC 12V 100A
K1	9098441000	1	RELAY 12V
M0	1464744000	1	MOTOR ELECTRIC 12V 680W
M1	146 0527 000	1	MOTOR FILTER SHAKER 10W 12V
M2	1465999000	1	REDUCTION GEARMOTOR 40W 12V PKD
M3	1465999000	1	REDUCTION GEARMOTOR 40W 12V PKD
EB1	146 3073 000	1	BOARD LED
KEY	146 2888 000	1	SWITCH KEY WITH CAP
SW0	145 9679 000	1	MICROSWITCH 10A 250V
SW1	1465465000	1	SWITCH KIT
SW2	909 6677 000	1	MICROSWITCH
SW3	909 6677 000	1	MICROSWITCH

RECOMMENDED PARTS

FLOORTEC 760 B

27-09-2014

Part List ID

ALFA10184

39

No Drawing For Part List

RECOMMENDED PARTS

FLOORTEC 760 B

27-09-2014

Part List ID
ALF-A10184

40

Pos	Part no.	Qty	Description	
0	145 0270 000	3	BEARING BALL 6001 2RS	OM
0	145 1123 000	3	BEARING BALL YAT204	EM
0	145 9679 000	1	MICROSWITCH 10A 250V	EM
0	146 0523 000	1	GEAR Z50	EM
0	146 0524 000	1	GEAR Z14	EM
0	146 0767 000	1	BELT XPZ 1162	OM
0	146 3035 000	1	BROOM SIDE 109X315 PPL 0.5	NW
0	1464433000	1	CARBON BRUSHES KIT 4 PCS	OM
0	1464476000	1	KNOB BLACK/YELLOW	EM
0	1464687000	1	BELT XPZ 912	OM
0	1464691000	1	FILTER POLYESTER	OM
0	1464719000	2	SPRING TORSION 2.8X24	EM
0	1464725000	1	REDUCTION GEAR COMPLETE	EM
0	1464744000	1	MOTOR ELECTRIC 12V 680W	OM
0	1464884000	2	LOCK LEVER	EM
0	1464908000	1	CABLE TRACTION	OM
0	1465017000	1	LEVER RIGHT SIDE BROOM CONTROL	EM
0	1465146000	1	FRAME FOR PANEL FILTER	EM
0	1465215000	1	BROOM MAIN 265X600 CHEVR. 6R PPL 0.5-0.8	NW
0	1465463000	1	SKIRTS KIT	NW
0	1465532000	1	CABLE FOR SIDE BROOM LEVER	EM
0	1465610000	1	GASKET BULB REINFORCED L.1070MM PKD	OM
0	1465999000	1	REDUCTION GEARMOTOR 40W 12V PKD	OM
0	909 6602 000	1	WHEEL CASTOR	OM
0	909 6677 000	1	MICROSWITCH	EM