

KSE 770

Model:
KSE 770



Part List English

05-09-2014

Table of Contents

KSE 770

Motor. Electric parts	3
Wheels, Belt drive =>31.12.2001	6
Cabinet top	8
Handle =>30.11.2001	10
Roller brush	12
Dust drawer	14
Side brush	16
Wheels. Belt drive 01.01.2002=>	18
Handle 01.12.2001=>	20

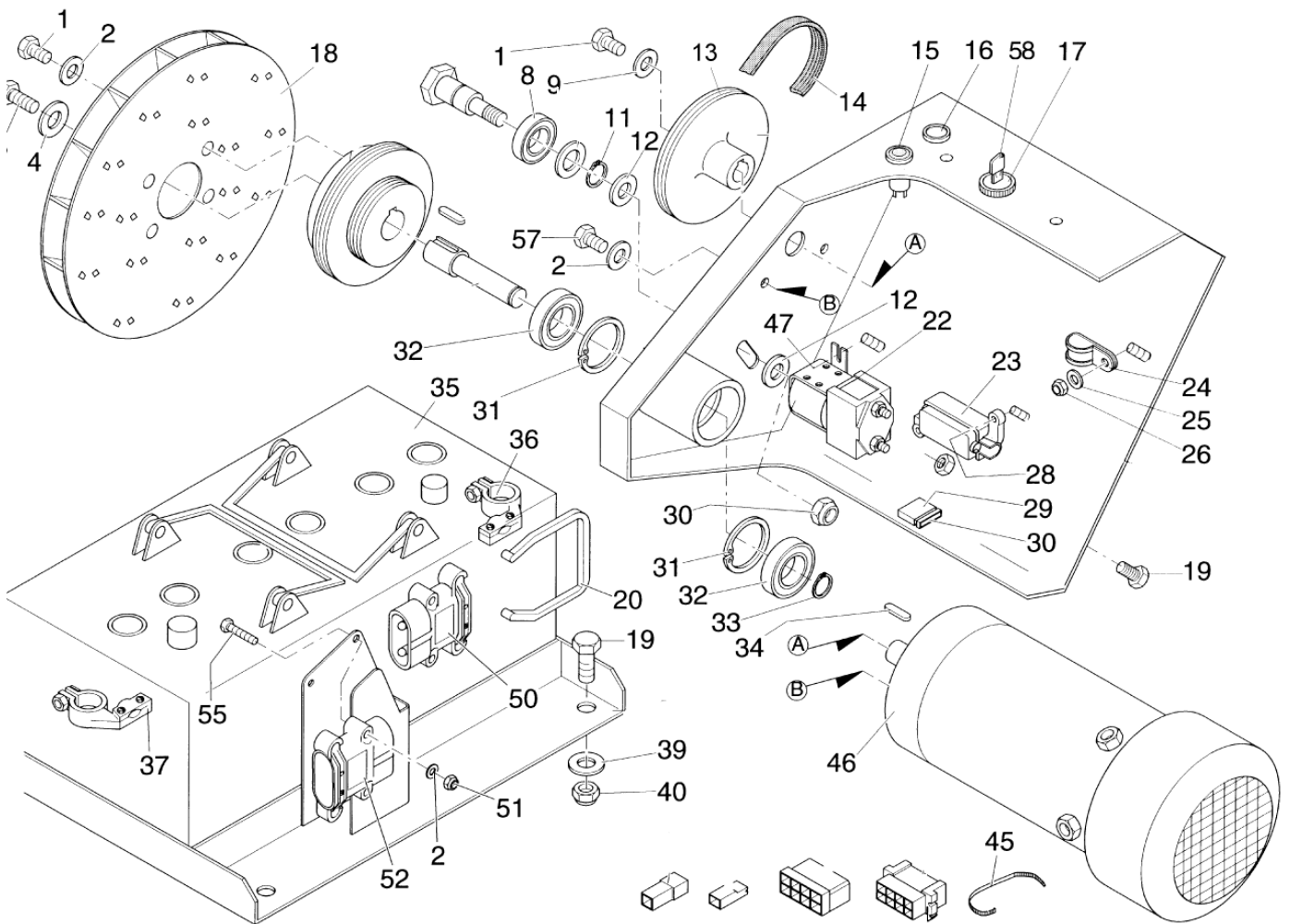
Motor. Electric parts

KSE 770

05-09-2014

Part List ID
KSE77001

3



Motor. Electric parts

KSE 770

05-09-2014

Part List ID
KSE/77001

4

Pos	Part no.	Qty	Description
1	8917	1	RETAINER PLATE
2	2764	1	DISC WAS 9323
3	2753	1	SCREW M8X20
4	2793	1	WASHER
8	61486	1	BALL BEARING
9	5166	1	WASHER
11	7114184	1	OUTER SNAP RING
12	4827	1	DISC
13	106522535	1	PULLEY KSP/KSE
14	61487	1	BELT 3J X 572
14	61571	1	BELT 3J X 610
15	61488	1	WARNING LAMP GREEN 12V 2W
16	61489	1	INDICATOR LAMP RED 12
17	61490	1	LOCK & KEY
18	61491	1	IMPELLER
19	6557	1	SCREW
20	61492	1	HANDLE
22	61493	1	MAGNETSCHALTER 12 V
23	61494	1	FUSE HOLDER
23	61495	1	FUSE 50A
24	11654	1	HOSE CLAMP
25	5166	1	WASHER
26	7417	1	HEXAGON NUT
28	3092	1	DISC A 4.3
28	50433	1	Sechskantmutter M4 DIN 985 A2
29	61496	1	HOUSING
30	61497	1	FLAT PLUG-IN FUSE 5A
31	44943	1	RING
32	44940	1	BEARING
33	27279	1	SAFETY RING
36	34489	1	BATTERY TERMINAL PLUS RIG
37	34490	1	BATTERY TERMINAL MINUS LE
39	2762	1	WASHER
40	1800515	1	LOCK NUT M8 (4100190)
45	4059	1	CABLE TIE
46	61498	1	MOTOR 500W 12V
46	61499	1	CARBON BRUSH
47	5166	1	WASHER
47	7417	1	HEXAGON NUT
50	61500	1	KSE PLUG WAS MRP1635
51	11619	1	NUT
52	61501	1	PLUG BOX 80 A KPL. KSE 770 OR 970
55	3285	1	HEX. SCREW M6X35 ISO 4017 ZN

Motor. Electric parts

KSE 770

05-09-2014

Part List ID
KSE77001

5

Pos	Part no.	Qty	Description	
57	2754	1	BOLT was 2757	
58	62242	1	KEY	
98	61196	1	CHARGER 12V 12AMPS	WITHOUT ILLUSTRATION
99	61197	1	LOW BATTERY INDICATOR	WITHOUT ILLUSTRATION

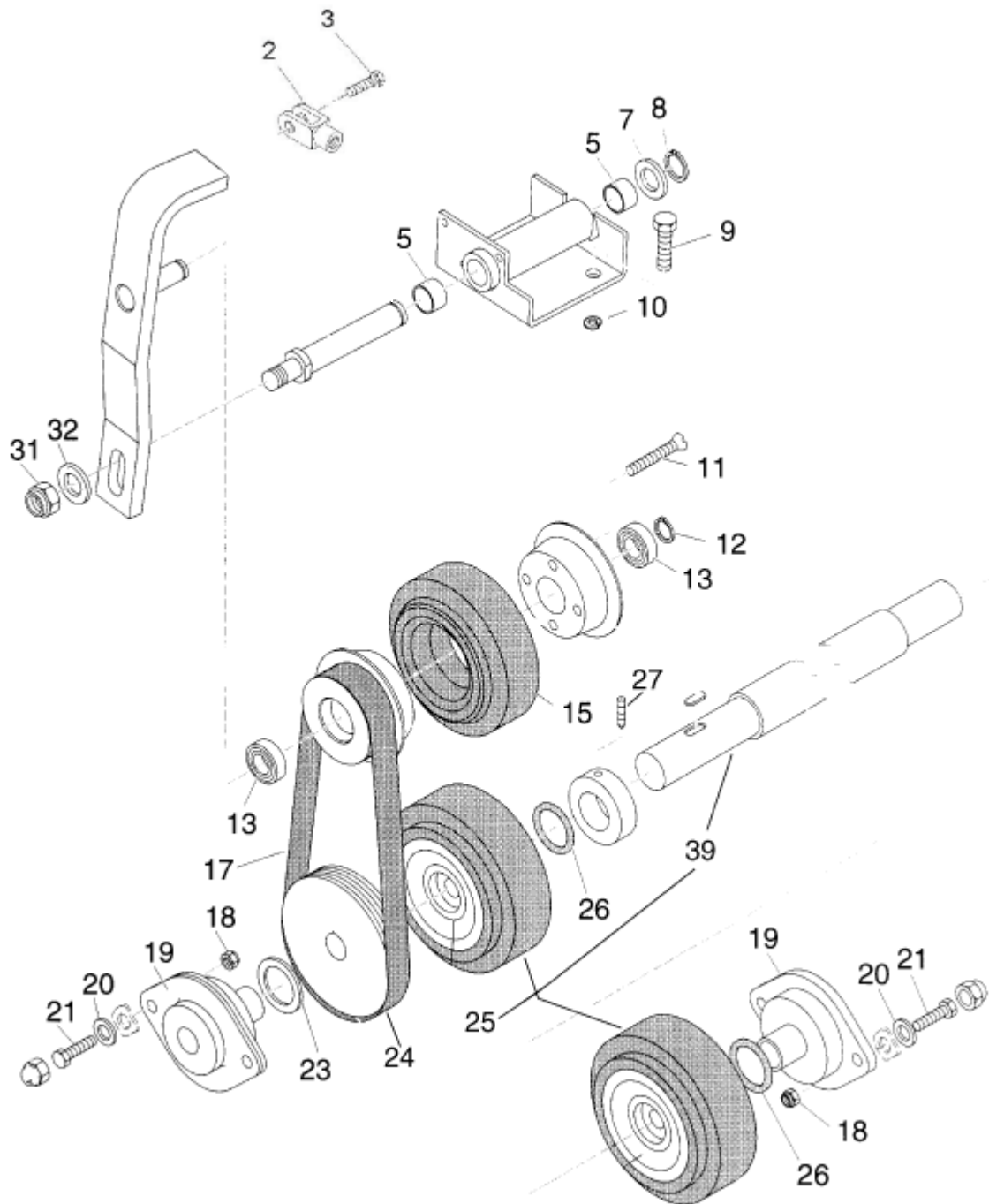
Wheels, Belt drive =>31.12.2001

KSE 770

05-09-2014

Part List ID
KSE77002

6



Wheels, Belt drive =>31.12.2001

KSE 770

05-09-2014

Part List ID
KSE/77002

7

Pos	Part no.	Qty	Description
2	909100068	1	FORK HEAD
3	3285	1	HEX. SCREW M6X35 ISO 4017 ZN
8	27279	1	SAFETY RING
9	6557	1	SCREW
10	2770	1	SPRING WASHER
11	8947	1	COUNTERSUNK SCREW
12	23483	1	SECURE RING
13	20938	1	BEARING was 2809
15	61510	1	TYRE Ø124X36 FOR DRIVE
17	61511	1	BELT
18	11619	1	NUT
19	61512	1	BEARING UNIT
20	2764	1	DISC WAS 9323
21	2754	1	BOLT was 2757
23	24191	1	DISC FOR DYNAMICS
24	303000416	1	BELT PULLEY Ø91X20 KSE
25	303000254	1	CONVERSION SET WHEEL KSE/
26	56523	1	O-RING
27	22369	1	HEXAGON SOCKET SET SCREW
31	40018	1	NUT 6KT- M12 985 ZN
32	2768	1	WASHER 13X2.5 ISO 7090 ZN
39	303000196	1	WHEEL HANDLEBAR Ø20X550

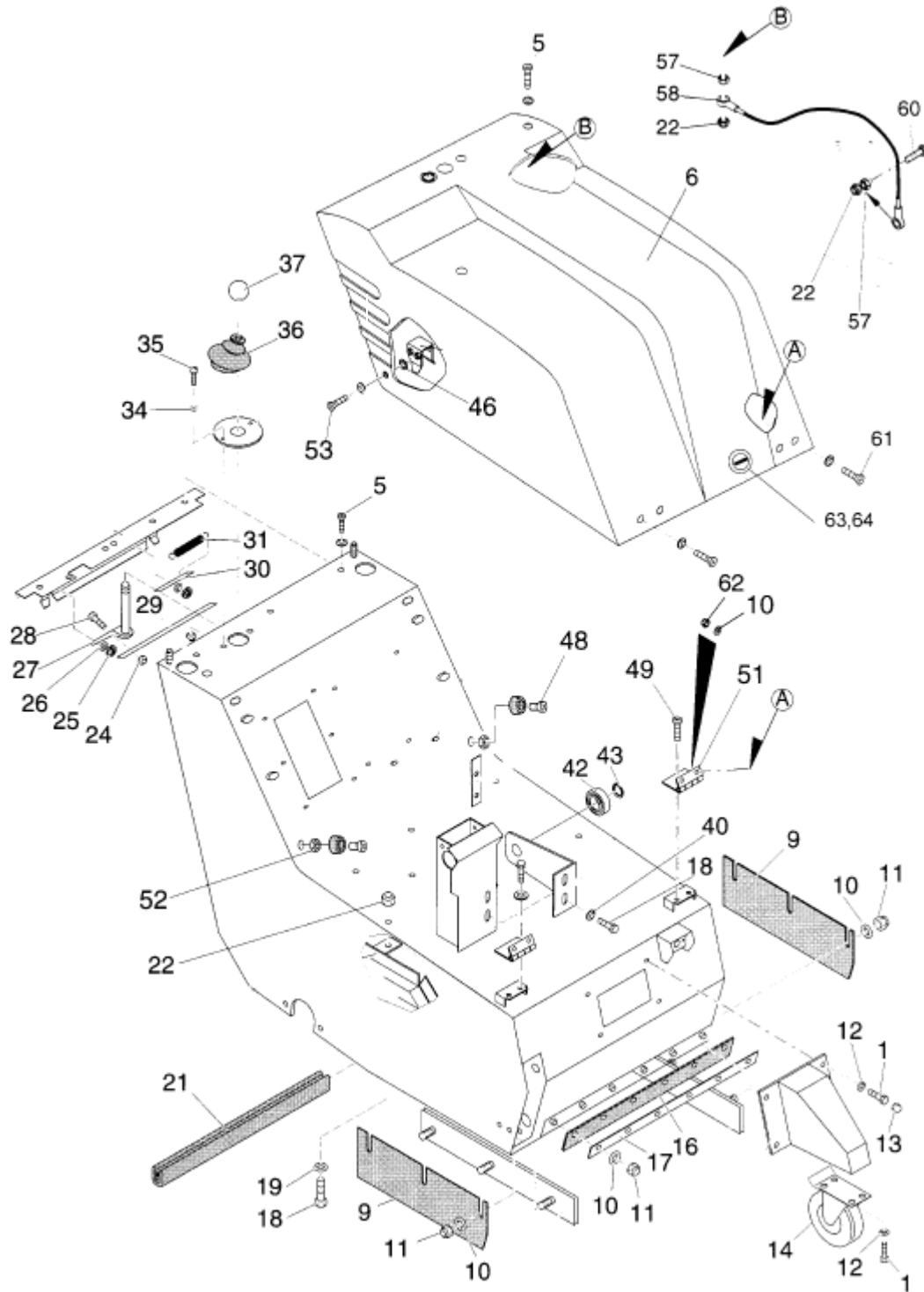
Cabinet top

KSE 770

05-09-2014

Part List ID
KSE77003

8



Cabinet top

KSE 770

05-09-2014

Part List ID
KSE77003

9

Pos	Part no.	Qty	Description	
1	6557	1	SCREW	
5	8946	1	BOLT	
6	67091	1	CABINET 770	
9	61538	1	RUBBER LIPS	
10	2763	1	WASHER WAS 34987	
11	6629	1	CAP NUT M5 DIN 1587	
12	2770	1	SPRING WASHER	
13	29993	1	CAP	
14	61542	1	GUIDE ROLLER	
16	61539	1	RUBBER LIP	
17	61540	1	CLAMP SEAL FOR SUCTION RAIL	
18	2754	1	BOLT was 2757	
19	2764	1	DISC WAS 9323	
21	61541	1	RUBBER LIP	
22	11619	1	NUT	
24	2760	1	HEXAGON NUT	
25	1800515	1	LOCK NUT M8 (4100190)	
26	2762	1	WASHER	
27	61543	1	LOCKING LEVER	
28	7473	1	HEX. SCREW M5X12 ISO 4017 VA	
31	61548	1	TENSION SPRING	
34	3092	1	DISC A 4.3	
35	46269	1	SCREW	
36	61546	1	FOLD FITTING Ø67X40 KSE/P 7	
37	61528	1	SPHERICAL HANDLE Ø32 C M	
40	2766	1	DISC	
42	61486	1	BALL BEARING	
43	27180	1	RING	
46	5166	1	WASHER	
49	30346	1	SSB/SSE CSK SCREW	
51	61553	1	HINGE	
52	2760	1	HEXAGON NUT	
53	8949	1	COUNTERSUNK SCREW M5X20 ISO 7047 ZN	
57	3136	1	NUT M 6 ZINC C	
58	28139	1	ROPE D3X530	
60	2806	1	BOLT	
61	18357	1	COUNTERSUNK SCREW M5X25 ISO 2009 ZN	
62	7417	1	HEXAGON NUT	
63	62596	1	SHEET METAL 1.5X80X40.5X2	WITHOUT ILLUSTRATION
64	62597	1	SWIVEL LOCK	WITHOUT ILLUSTRATION

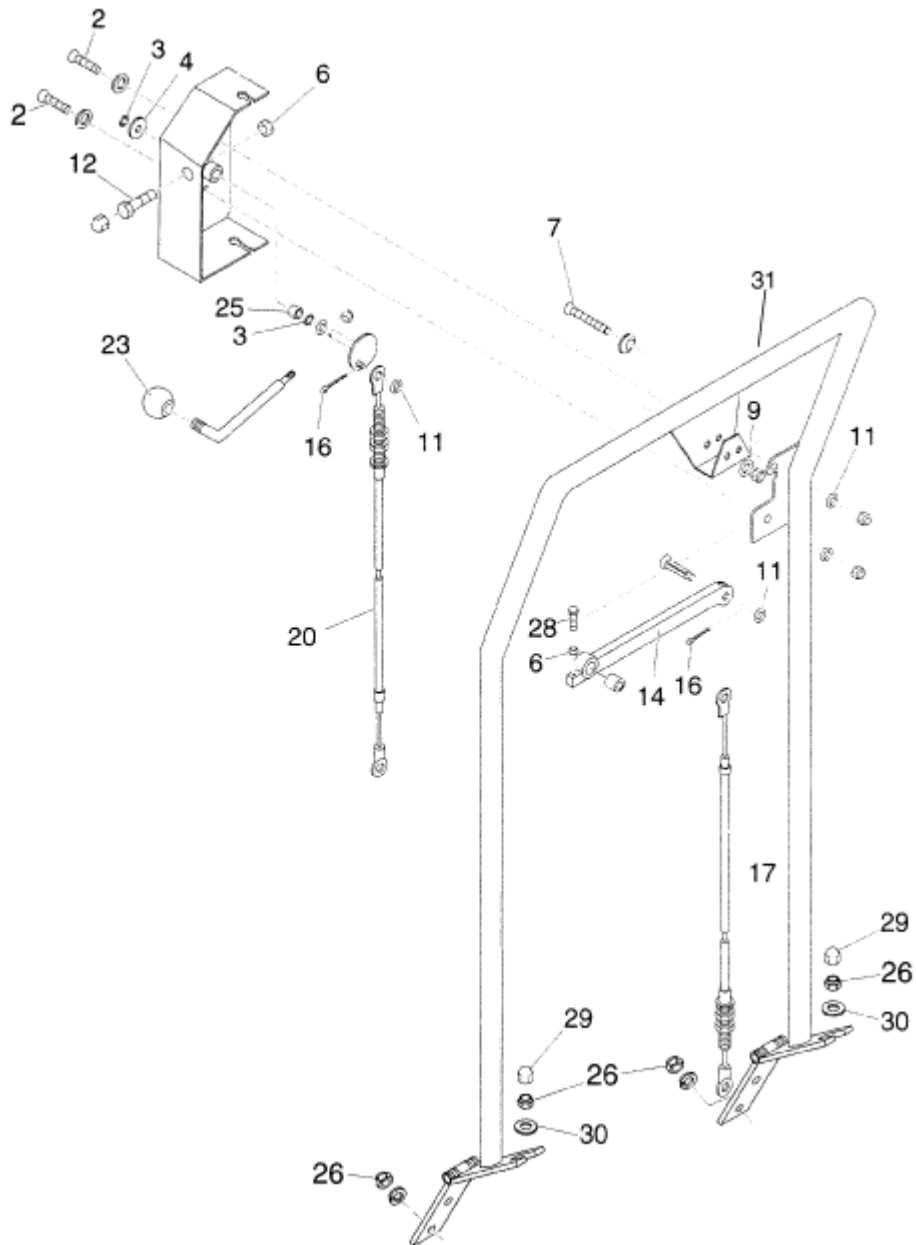
Handle =>30.11.2001

KSE 770

05-09-2014

Part List ID
KSE77004

10



Handle =>30.11.2001

KSE 770

05-09-2014

Part List ID
KSE77004

11

Pos	Part no.	Qty	Description
3	23483	1	SECURE RING
4	2768	1	WASHER 13X2.5 ISO 7090 ZN
6	3136	1	NUT M 6 ZINC C
7	17737	1	SCREW
9	2766	1	DISC
11	2764	1	DISC WAS 9323
12	3285	1	HEX. SCREW M6X35 ISO 4017 ZN
14	61514	1	HEBEL F. FAHRANTRIEB KSE-
17	61516	1	BOWDEN WIRE
20	61517	1	BOWDEN CABLE
23	61528	1	SPHERICAL HANDLE Ø32 C M
26	1800515	1	LOCK NUT M8 (4100190)
28	2806	1	BOLT
29	29993	1	CAP
30	2793	1	WASHER
31	303000523	1	REWORK KIT KSE/KSP 770

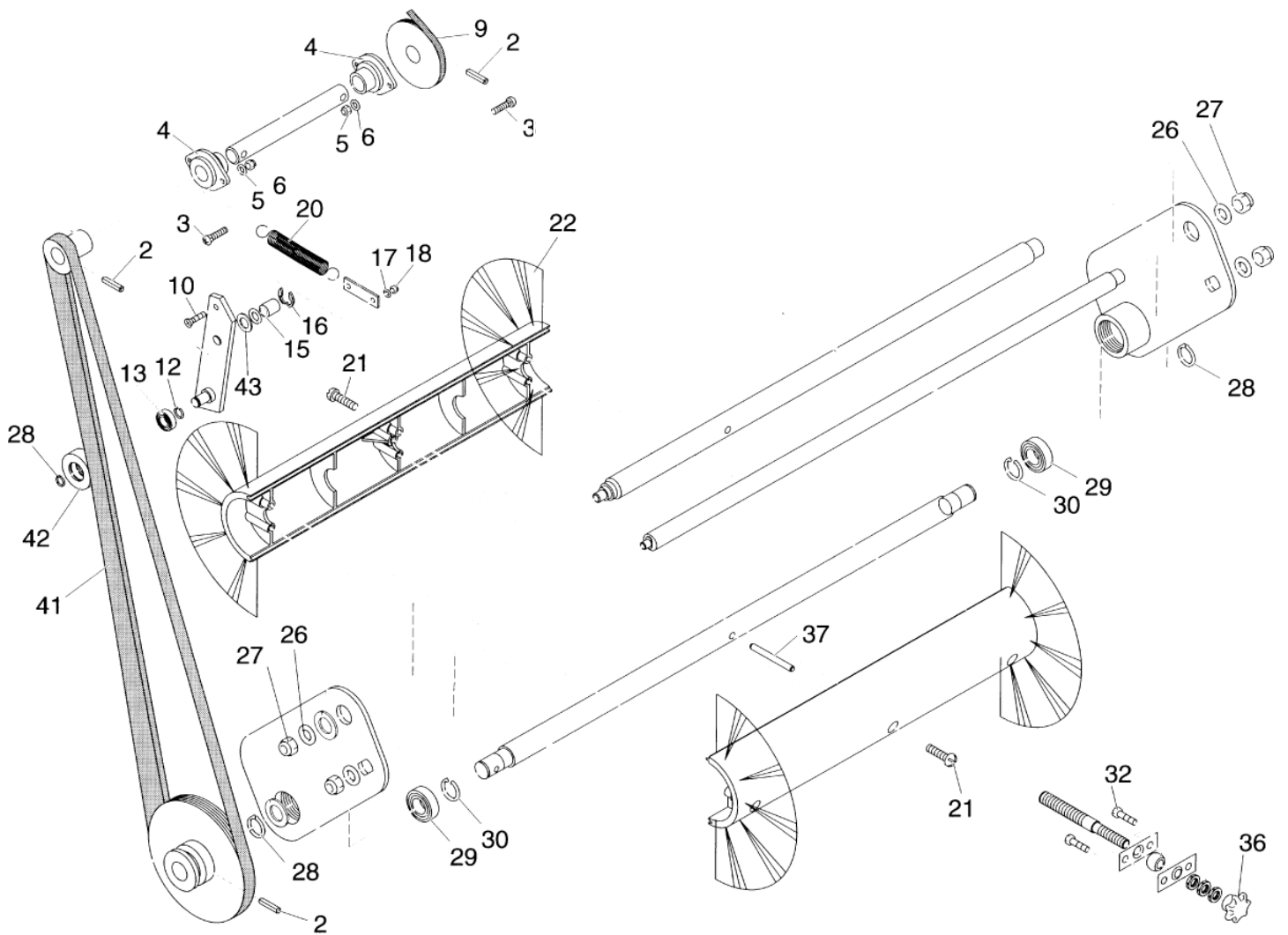
Roller brush

KSE 770

05-09-2014

Part List ID
KSE77005

12



Roller brush

KSE 770

05-09-2014

Part List ID
KSE77005

13

Pos	Part no.	Qty	Description	
2	61519	1	PIN	
3	8884	1	FLAT HEAD SCREW M6X16 DIN 603 ZN	
4	61512	1	BEARING UNIT	
5	2764	1	DISC WAS 9323	
6	11619	1	NUT	
9	61487	1	BELT	3J x 572
9	61571	1	BELT	3J x 610
10	46349	1	COUNTERSUNK SCREW M5X16	
12	44943	1	RING	
13	44938	1	BEARING	
15	61520	1	SLEEVE D10XD12X15	
16	8782	1	CIRCLIP	
17	2763	1	WASHER WAS 34987	
18	7417	1	HEXAGON NUT	
20	61548	1	TENSION SPRING	
21	43341	1	SCREW	
22	60642	1	BK900 MAIN BRUSH ASSM	complete, with Pos. 21 + 37
26	2762	1	WASHER	
27	1800515	1	LOCK NUT M8 (4100190)	
28	20180	1	RIVET NUT M6X15 ALU	
29	61486	1	BALL BEARING	
30	22331	1	640CLIP FOR BORES	
32	7473	1	HEX. SCREW M5X12 ISO 4017 VA	
36	6452	1	KNOB	
37	53610	1	PIN Ø 6X53	
41	61521	1	BELT	
41	63964	1	PULLEY. V-RIBBED BELT DIN	PULLEY FOR BELT ITEM 61521
42	61522	1	TENSION ROLL	
43	27145	1	SHIM RING AND SUPPORTING	

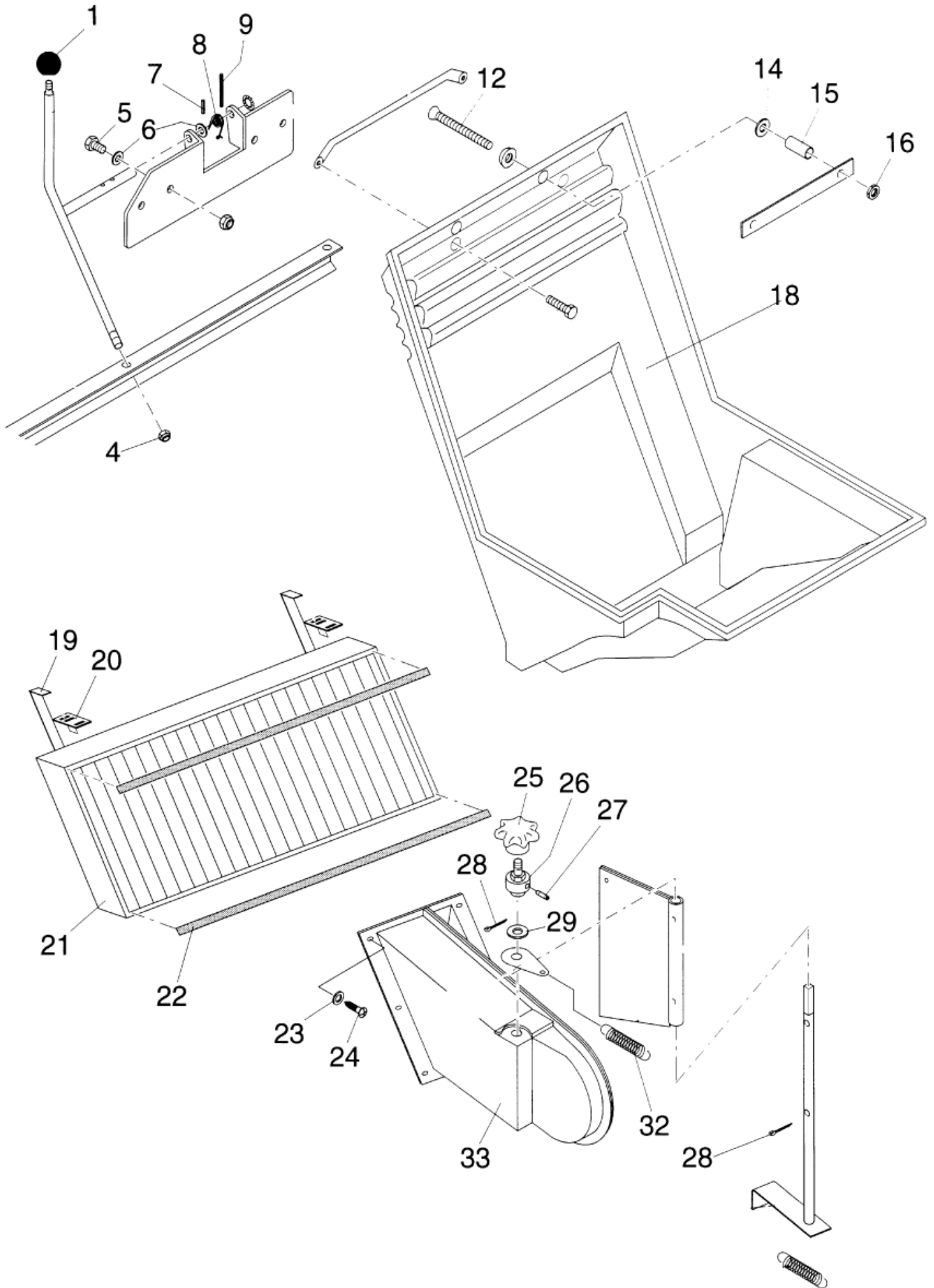
Dust drawer

KSE 770

05-09-2014

Part List ID
KSE77006

14



Dust drawer

KSE 770

05-09-2014

Part List ID
KSE77006

15

Pos	Part no.	Qty	Description
1	61528	1	SPHERICAL HANDLE Ø32 C M
4	11619	1	NUT
5	2750	1	HEXAGON CAP SCREW
6	2762	1	WASHER
7	40091	1	SLEEVE
8	61554	1	TORSION SPRING 1.5X14X30
9	61529	1	SPRING-TYPE STRAIGHT PIN
12	8948	1	SCREW
14	2766	1	DISC
15	61530	1	DIVIDER
16	3136	1	NUT M 6 ZINC C
18	67089	1	CABINET KSE 770
19	61532	1	CLIP FOR FILTER KSE/KSP
20	61533	1	STRAP
21	61482	1	FILTER CASSETTE
22	6250	1	ADHESIVE TAPE
			PLEASE INDICATE LENGTHS IN METRES WHEN ORDERING
23	2764	1	DISC WAS 9323
24	10028	1	STEEL SCREW FOR SYNTH MAT
25	43286	1	BOLT FOR BK 900
26	61534	1	SQUARE HOLDER
29	2768	1	WASHER 13X2.5 ISO 7090 ZN
32	61547	1	TENSION SPRING

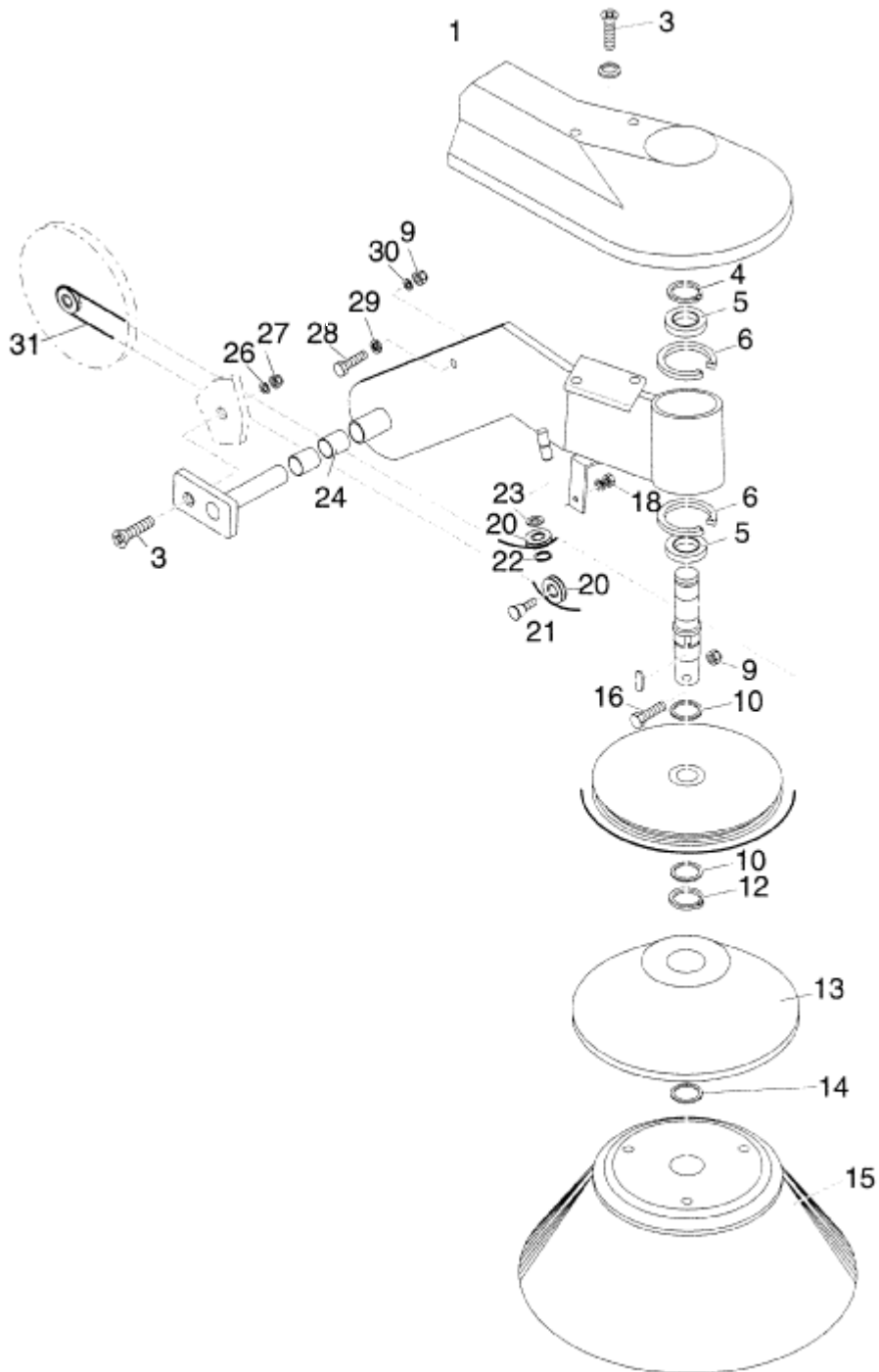
Side brush

KSE 770

05-09-2014

Part List ID
KSE77007

16



Side brush

KSE 770

05-09-2014

Part List ID
KSE/770/7

17

Pos	Part no.	Qty	Description	
0	303000092	1	DRIVE SHAFT FOR SIDE BRUS	Shaft between pos. 5 & 10
0	65737	1	BRACKET FOR KSE 970	Bracket between pos 6 & 6
1	61523	1	SIDE BRUSH COVER KSE/KSP	
3	46349	1	COUNTERSUNK SCREW M5X16	
4	27279	1	SAFETY RING	
5	44940	1	BEARING	
6	44943	1	RING	
9	11619	1	NUT	
10	60727	1	SHIM RING AND SUPPORTING	
12	27180	1	RING	
13	60721	1	DISC MOULDING	
14	60720	1	SHIM RING 14X20X0.5	
15	303000062	1	ROPE BRAKE KSE-P 770/970	
16	8918	1	SCREW - RA500	
18	3136	1	NUT M 6 ZINC C	
20	61524	1	PULLEY	
21	61525	1	BEARING PIN	
22	8878	1	SAFETY RING-NOW 11544	
23	2767	1	WASHER	
24	61520	1	SLEEVE D10XD12X15	
26	2763	1	WASHER WAS 34987	
27	7417	1	HEXAGON NUT	
29	3136	1	NUT M 6 ZINC C	
30	2764	1	DISC WAS 9323	
31	61481	1	PULLEY BELT	

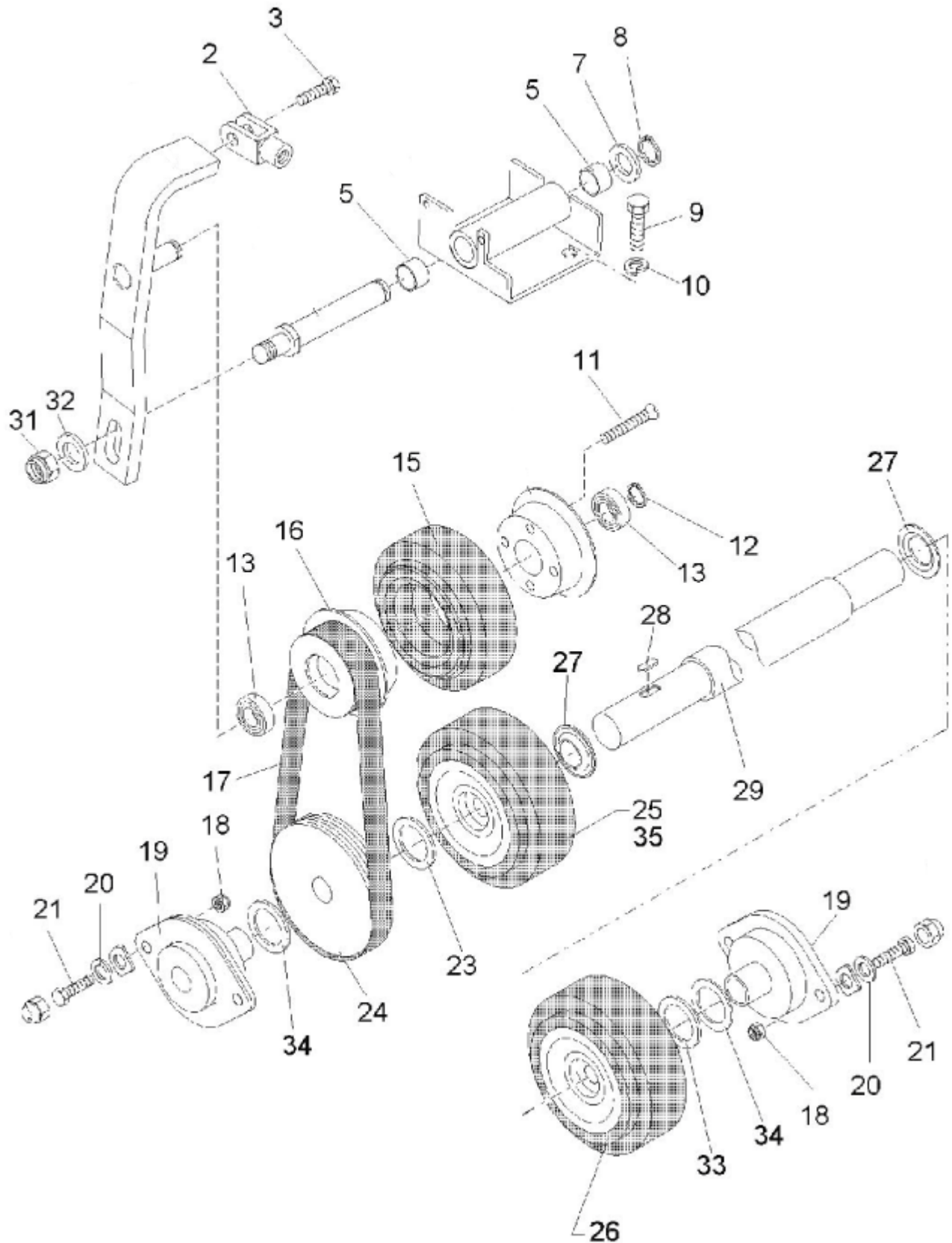
Wheels. Belt drive 01.01.2002=>

KSE 770

05-09-2014

Part List ID
KSE77008

18



Wheels. Belt drive 01.01.2002=>

KSE 770

05-09-2014

Part List ID
KSE77008

19

Pos	Part no.	Qty	Description
2	909100068	1	FORK HEAD
3	3285	1	HEX. SCREW M6X35 ISO 4017 ZN
8	27279	1	SAFETY RING
9	6557	1	SCREW
10	2770	1	SPRING WASHER
11	8947	1	COUNTERSUNK SCREW
12	23483	1	SECURE RING
13	20938	1	BEARING was 2809
15	61510	1	TYRE Ø124X36 FOR DRIVE
16	106522531	1	BELT PULLEY KSP 770 970
17	61511	1	BELT
18	11619	1	NUT
19	61512	1	BEARING UNIT
20	2764	1	DISC WAS 9323
21	2754	1	BOLT was 2757
23	909100358	1	WASHER 17X24X0.5 DIN
24	303000416	1	BELT PULLEY Ø91X20 KSE
25	303000375	1	WHEEL Ø150X46 RIGHT SIDE
26	303000374	1	WHEEL Ø150X46 LEFT SIDE
27	303000378	1	WASHER 33.0X17.0X2.0 K
29	303000376	1	WHEEL HANDLEBAR Ø16X508
31	40018	1	NUT 6KT- M12 985 ZN
32	2768	1	WASHER 13X2.5 ISO 7090 ZN
33	909100358	1	WASHER 17X24X0.5 DIN
34	24191	1	DISC FOR DYNAMICS
35	62243	1	INNER RING IR 17X20X20

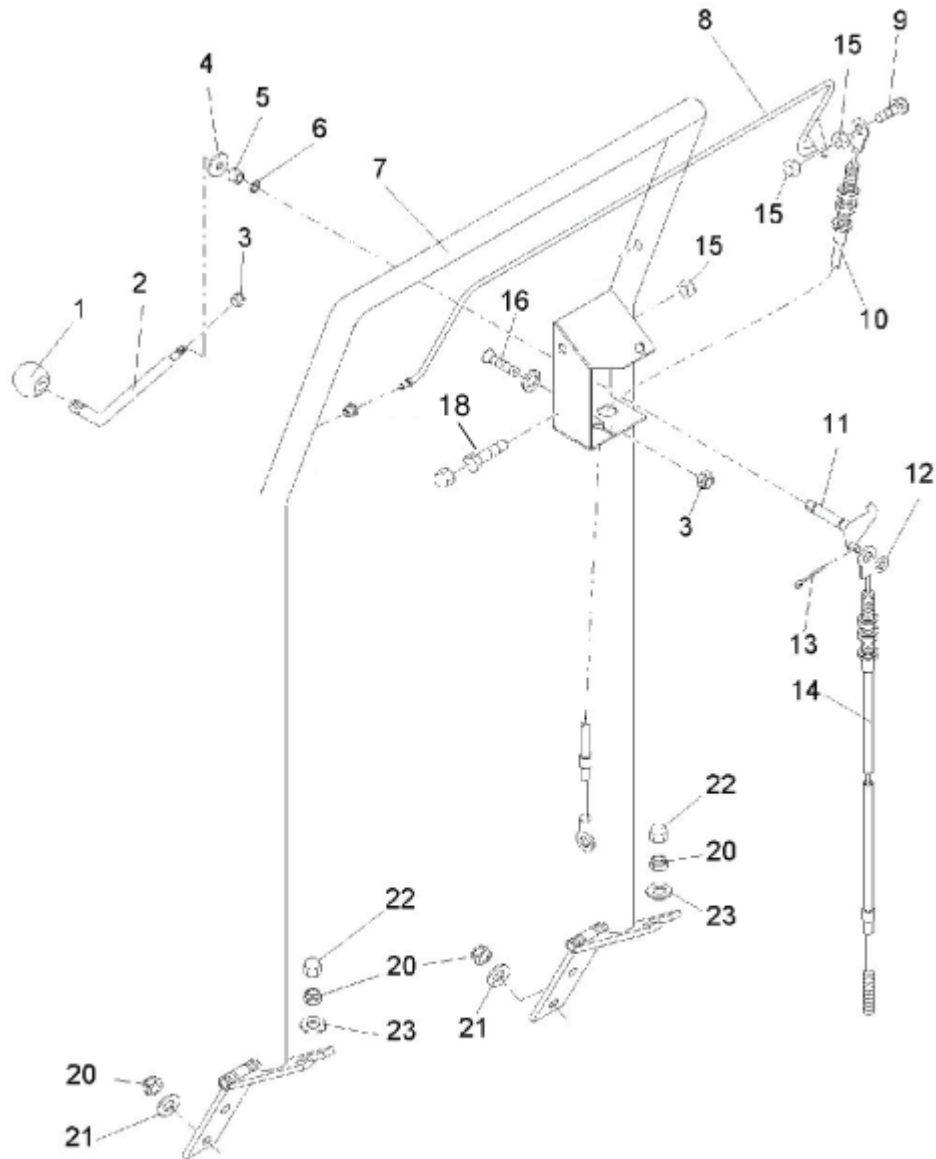
Handle 01.12.2001=>

KSE 770

05-09-2014

Part List ID
KSE77009

20



Handle 01.12.2001=>

KSE 770

05-09-2014

Part List ID
KSE77009

21

Pos	Part no.	Qty	Description
1	61528	1	SPHERICAL HANDLE Ø32 C M
2	65135	1	SHIFT LEVER
3	11619	1	NUT
4	2768	1	WASHER 13X2.5 ISO 7090 ZN
6	23483	1	SECURE RING
7	65053	1	BOW
8	65050	1	LEVER inKSE/P 770in
9	17847	1	HEX. SCREW M6X20 ISO 4017 VA
10	303000199	1	BOWDEN CABLE
12	2764	1	DISC WAS 9323
14	61517	1	BOWDEN CABLE
15	11619	1	NUT
16	8946	1	BOLT
18	3285	1	HEX. SCREW M6X35 ISO 4017 ZN
20	1800515	1	LOCK NUT M8 (4100190)
21	2762	1	WASHER
22	29993	1	CAP
23	2793	1	WASHER