

KSP 970

Model:
KSP 970



Part List English

06-09-2014

Table of Contents

KSP 970

Motor	3
Wheels. Belt drive =>31.12.2001	5
Cabinet top	7
Handle =>30.11.2001	9
Roller brush	11
Dust drawer	13
Side brush	15
Wheels. Belt drive 01.01.2002=>	17
Handle 01.12.2001=>	19

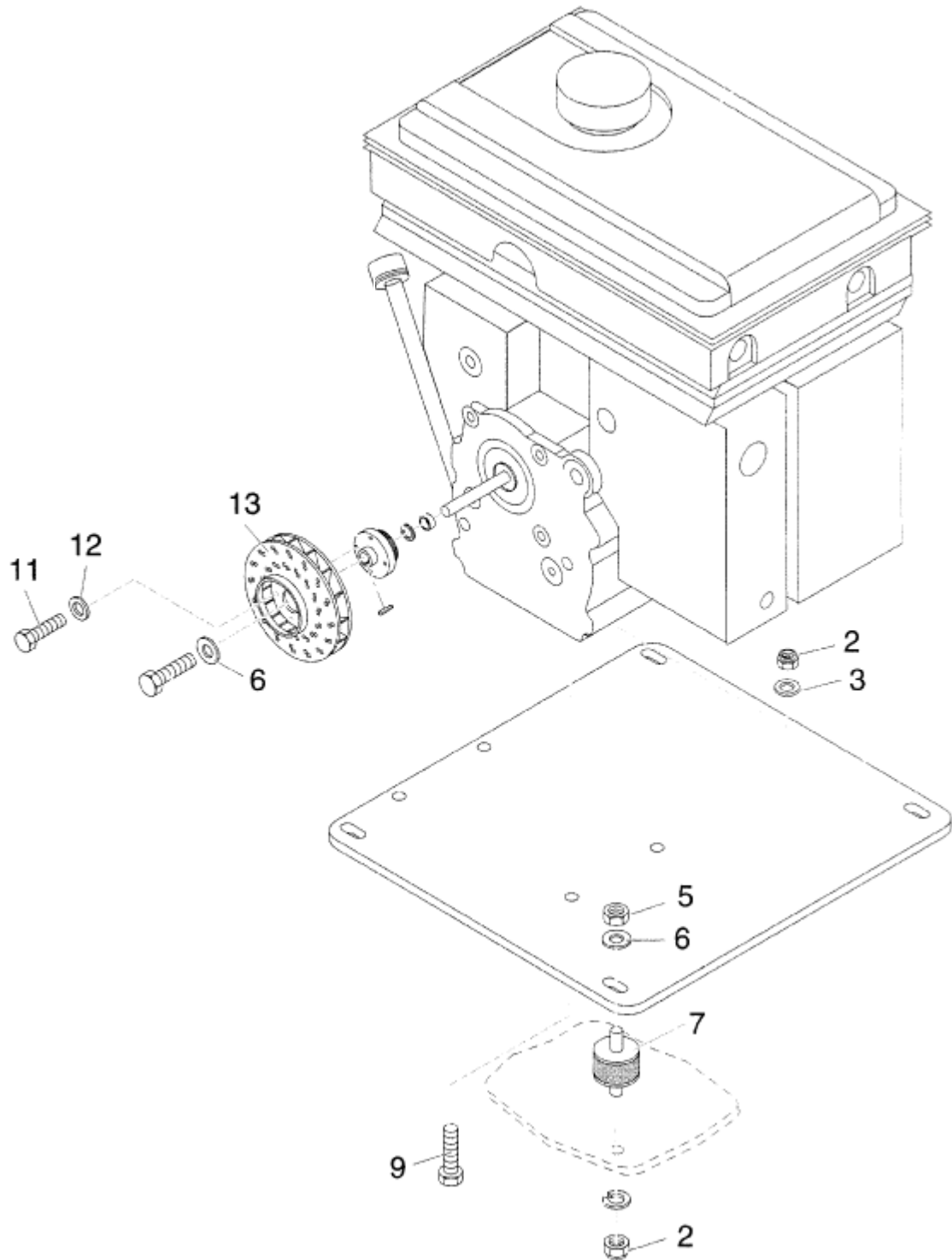
Motor

KSP 970

06-09-2014

Part List ID
KSP97001

3



Motor

KSP 970

06-09-2014

Part List ID
KSP97001

4

Pos	Part no.	Qty	Description	
2	1800515	1	LOCK NUT M8 (4100190)	
3	2762	1	WASHER	
5	2758	1	NUT	
6	2793	1	WASHER	
7	26608	1	SUPPORT	
9	2756	1	BOLTS	
11	8917	1	RETAINER PLATE	
12	2764	1	DISC WAS 9323	
13	61491	1	IMPELLER	
98	11665	1	STECKHÜLSE 6.3-2.5 DIN 46247 MS	WITHOUT ILLUSTRATION
99	11666	1	FEMALE FITTING	WITHOUT ILLUSTRATION

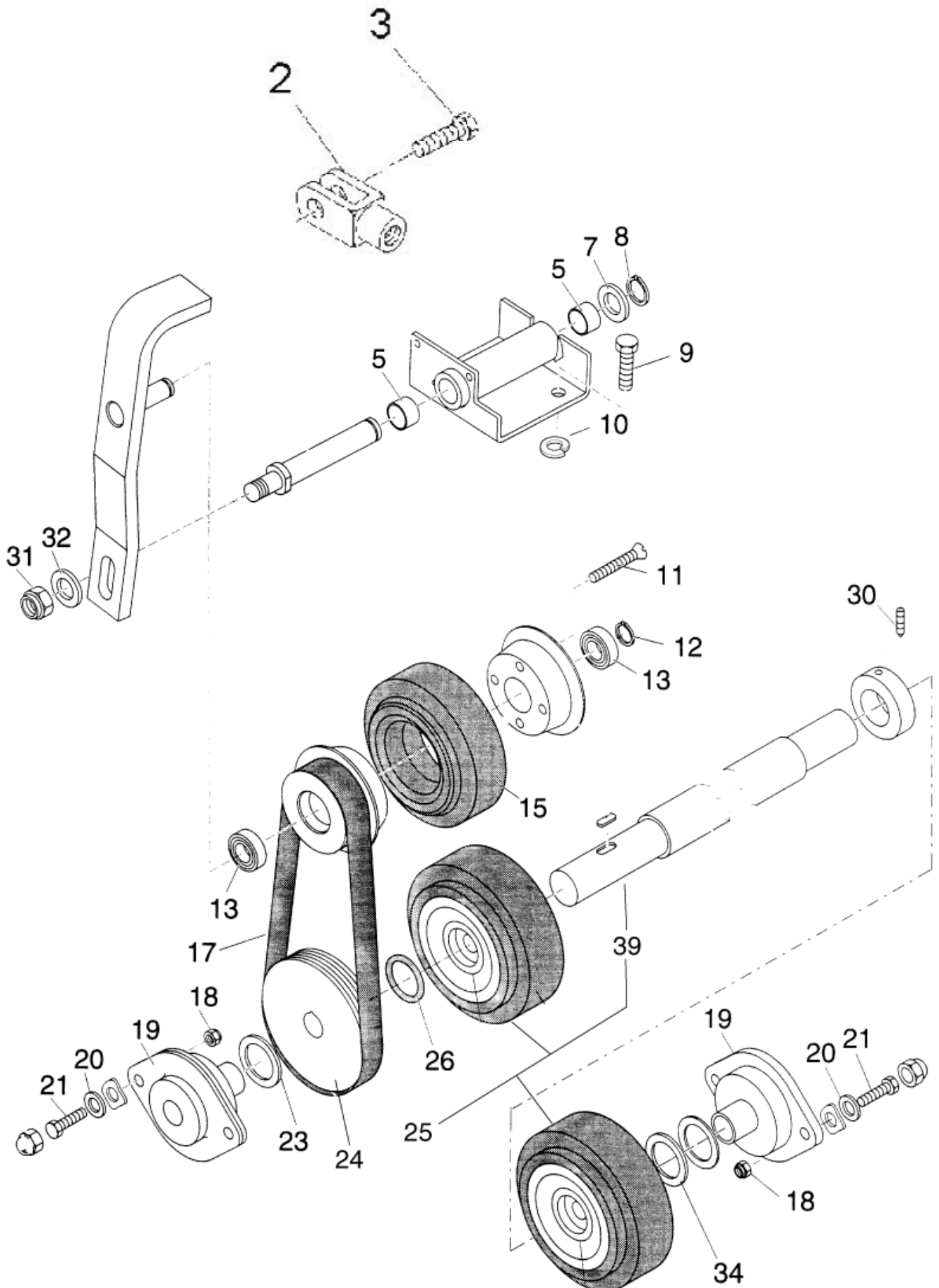
Wheels. Belt drive =>31.12.2001

KSP 970

06-09-2014

Part List ID
KSP97002

5



Wheels. Belt drive =>31.12.2001

KSP 970

06-09-2014

Part List ID
KSP97002

6

Pos	Part no.	Qty	Description
2	909100068	1	FORK HEAD
3	3285	1	HEX. SCREW M6X35 ISO 4017 ZN
8	27279	1	SAFETY RING
9	6557	1	SCREW
10	2770	1	SPRING WASHER
11	8947	1	COUNTERSUNK SCREW
12	23483	1	SECURE RING
13	20938	1	BEARING was 2809
15	61510	1	TYRE Ø124X36 FOR DRIVE
17	61511	1	BELT
18	11619	1	NUT
19	61512	1	BEARING UNIT
20	2764	1	DISC WAS 9323
21	2754	1	BOLT was 2757
23	24191	1	DISC FOR DYNAMICS
24	303000416	1	BELT PULLEY Ø91X20 KSE
25	303000255	1	CONVERSION SET WHEEL KSE/
26	56523	1	O-RING
30	22369	1	HEXAGON SOCKET SET SCREW
31	40018	1	NUT 6KT- M12 985 ZN
32	2768	1	WASHER 13X2.5 ISO 7090 ZN
34	4109	1	PVC WASHER
39	303000197	1	WHEEL HANDLEBAR Ø20X660

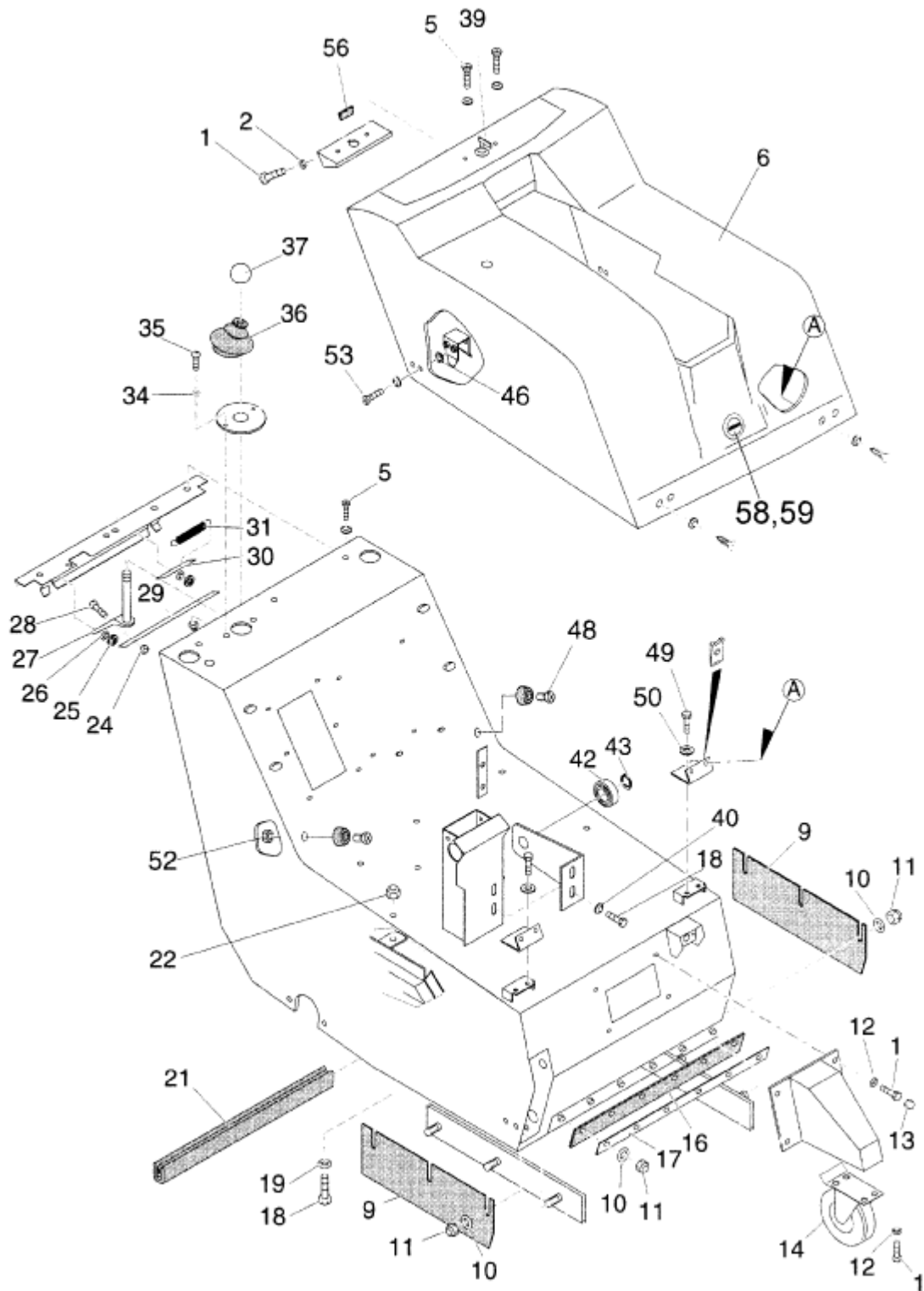
Cabinet top

KSP 970

06-09-2014

Part List ID
KSP97003

7



Cabinet top

KSP 970

06-09-2014

Part List ID
KSP97003

8

Pos	Part no.	Qty	Description	
1	6557	1	SCREW	
2	2762	1	WASHER	
5	8946	1	BOLT	
6	67090	1	SHROUD KSP 970	
9	61538	1	RUBBER LIPS	
10	2763	1	WASHER WAS 34987	
11	6629	1	CAP NUT M5 DIN 1587	
12	2770	1	SPRING WASHER	
13	29993	1	CAP	
14	61542	1	GUIDE ROLLER	
16	61655	1	RUBBER LIPS	
17	61653	1	CLAMP SEAL FOR SUCTION RAIL	
18	2754	1	BOLT was 2757	
19	2764	1	DISC WAS 9323	
21	61654	1	RUBBER LIPS	
22	11619	1	NUT	
24	2760	1	HEXAGON NUT	
25	1800515	1	LOCK NUT M8 (4100190)	
26	2762	1	WASHER	
27	61543	1	LOCKING LEVER	
28	7473	1	HEX. SCREW M5X12 ISO 4017 VA	
31	61548	1	TENSION SPRING	
34	3092	1	DISC A 4.3	
35	46269	1	SCREW	
36	61546	1	FOLD FITTING Ø67X40 KSE/P 7	
37	61528	1	SPHERICAL HANDLE Ø32 C M	
39	61658	1	KEY SWITCH	
40	2766	1	DISC	
42	61486	1	BALL BEARING	
43	27180	1	RING	
46	5166	1	WASHER	
49	7473	1	HEX. SCREW M5X12 ISO 4017 VA	
50	2763	1	WASHER WAS 34987	
52	2760	1	HEXAGON NUT	
53	8949	1	COUNTERSUNK SCREW M5X20 ISO 7047 ZN	
56	6250	1	ADHESIVE TAPE	PLEASE INDICATE LENGTHS IN METRES WHEN ORDERING
58	62596	1	SHEET METAL 1.5X80X40.5X2	WITHOUT ILLUSTRATION
59	62597	1	SWIVEL LOCK	WITHOUT ILLUSTRATION

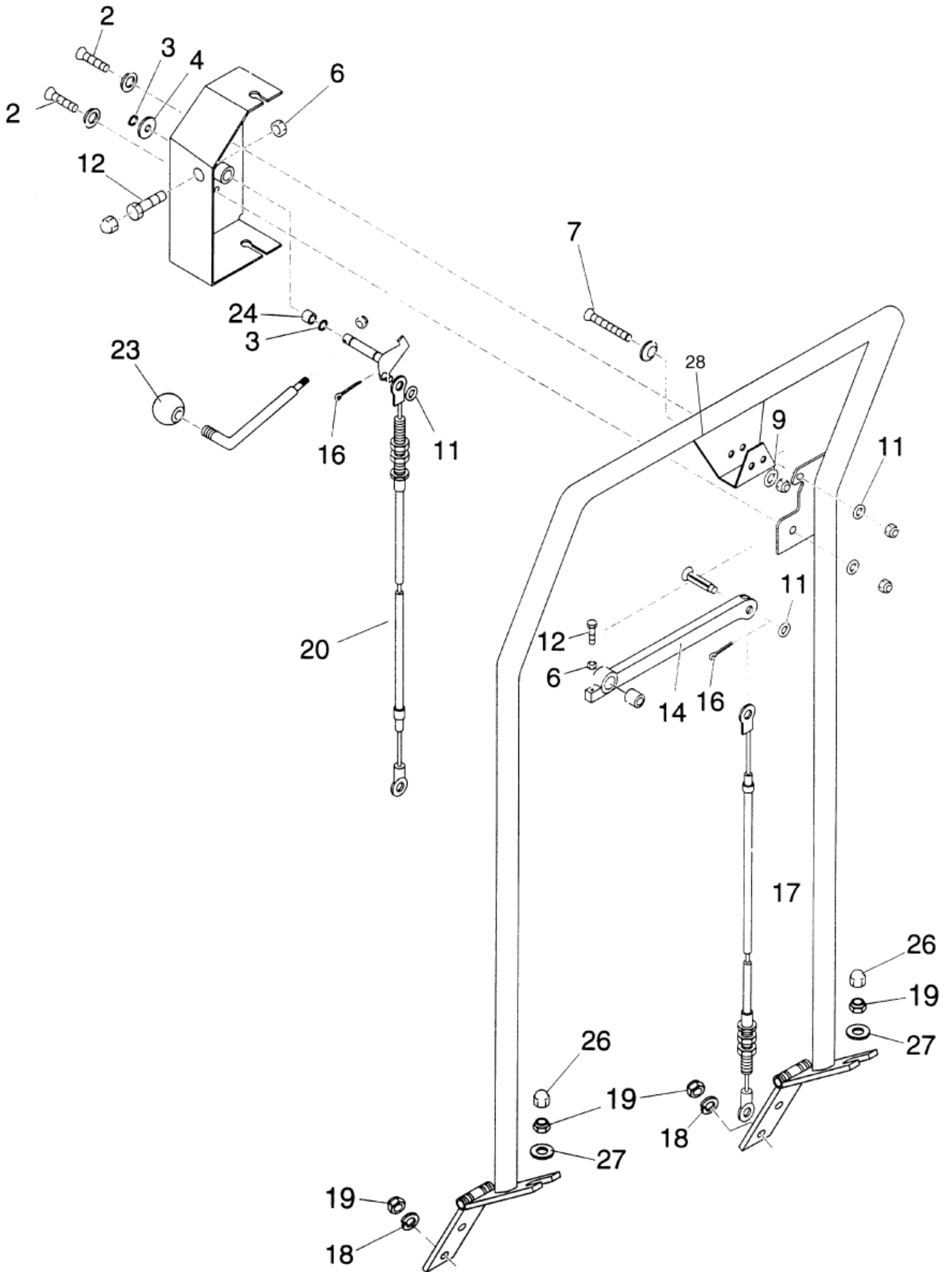
Handle =>30.11.2001

KSP 970

06-09-2014

Part List ID
KSP97004

9



Handle =>30.11.2001

KSP 970

06-09-2014

Part List ID
KSP97004

10

Pos	Part no.	Qty	Description
3	23483	1	SECURE RING
4	2768	1	WASHER 13X2.5 ISO 7090 ZN
6	3136	1	NUT M 6 ZINC C
7	17737	1	SCREW
9	2766	1	DISC
11	2764	1	DISC WAS 9323
12	3285	1	HEX. SCREW M6X35 ISO 4017 ZN
14	61514	1	HEBEL F. FAHRANTRIEB KSE-
17	61516	1	BOWDEN WIRE
19	1800515	1	LOCK NUT M8 (4100190)
20	61517	1	BOWDEN CABLE
23	61528	1	SPHERICAL HANDLE Ø32 C M
26	29993	1	CAP
27	2793	1	WASHER
28	303000524	1	REBUILD KIT HANDLE

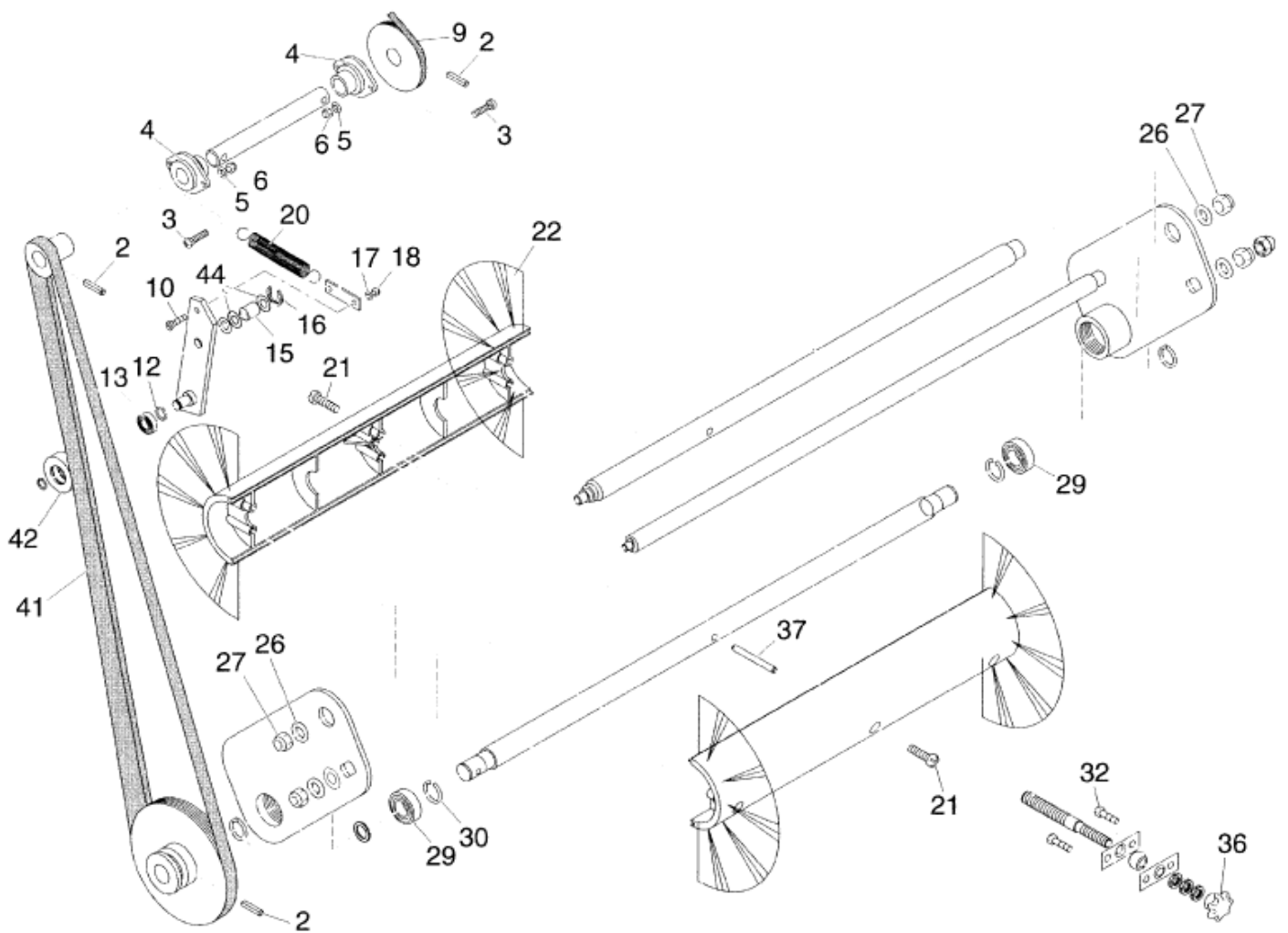
Roller brush

KSP 970

06-09-2014

Part List ID
KSP97005

11



Roller brush

KSP 970

06-09-2014

Part List ID
KSP97006

12

Pos	Part no.	Qty	Description	
2	61519	1	PIN	
3	8884	1	FLAT HEAD SCREW M6X16 DIN 603 ZN	
4	61512	1	BEARING UNIT	
5	2764	1	DISC WAS 9323	
6	11619	1	NUT	
9	61571	1	BELT	
10	46349	1	COUNTERSUNK SCREW M5X16	
12	44943	1	RING	
13	44938	1	BEARING	
15	61520	1	SLEEVE D10XD12X15	
16	8782	1	CIRCLIP	
17	2763	1	WASHER WAS 34987	
18	7417	1	HEXAGON NUT	
20	61548	1	TENSION SPRING	
21	43341	1	SCREW	
22	61480	1	BRUSH - ROLLER - KSP/KSE	COMPLETE - WITH POS. 21 + 37
26	2762	1	WASHER	
27	1800515	1	LOCK NUT M8 (4100190)	
29	61486	1	BALL BEARING	
30	22331	1	640CLIP FOR BORES	
32	7473	1	HEX. SCREW M5X12 ISO 4017 VA	
36	6452	1	KNOB	
37	53610	1	PIN Ø 6X53	
41	61521	1	BELT	
41	63964	1	PULLEY. V-RIBBED BELT DIN	PULLEY FOR BELT ITEM 61521
42	61522	1	TENSION ROLL	
44	27145	1	SHIM RING AND SUPPORTING	

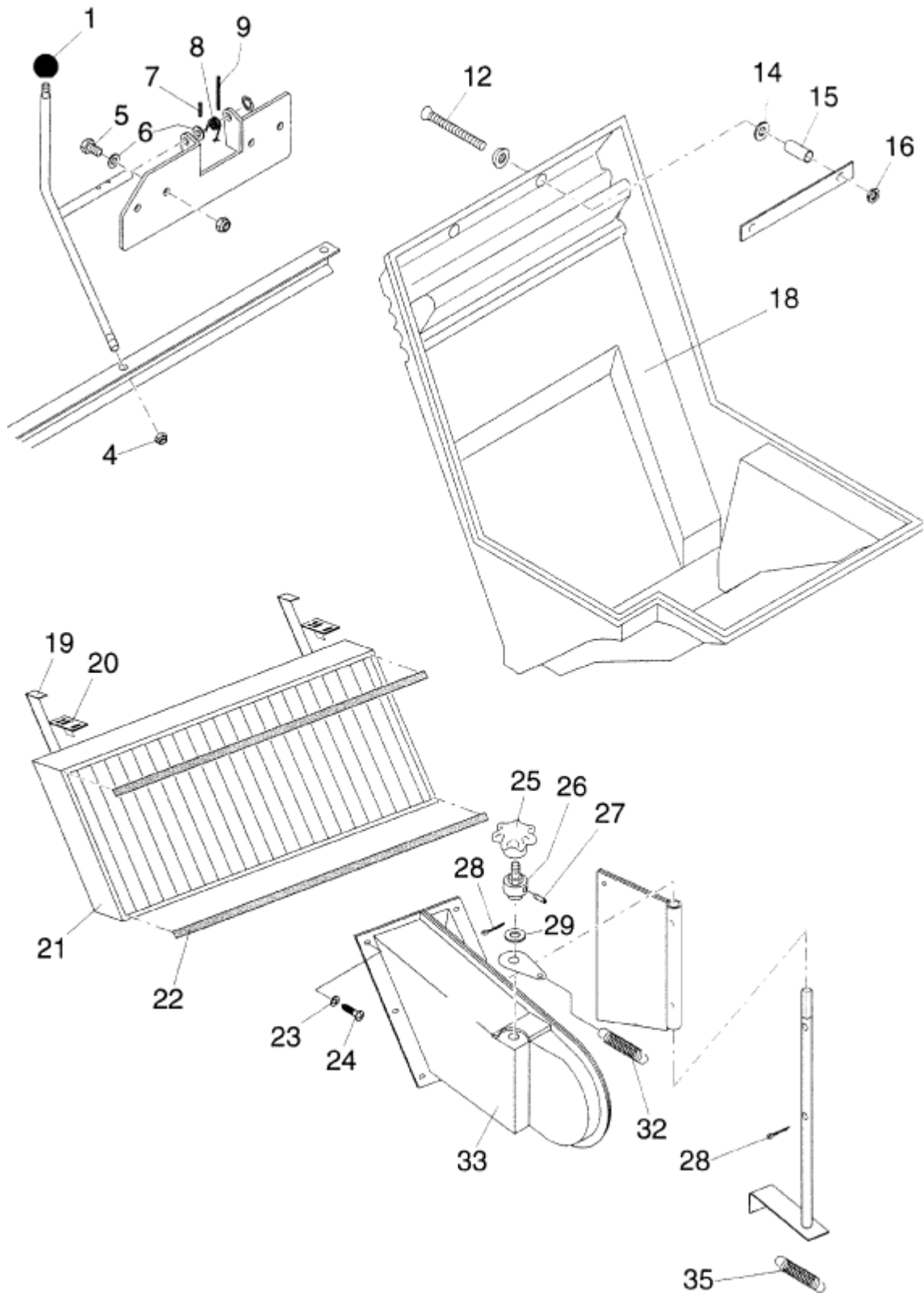
Dust drawer

KSP 970

06-09-2014

Part List ID
KSP97006

13



Dust drawer

KSP 970

06-09-2014

Part List ID
KSP97006

14

Pos	Part no.	Qty	Description
1	61528	1	SPHERICAL HANDLE Ø32 C M
4	11619	1	NUT
5	2750	1	HEXAGON CAP SCREW
6	2762	1	WASHER
7	40091	1	SLEEVE
8	61554	1	TORSION SPRING 1.5X14X30
9	61529	1	SPRING-TYPE STRAIGHT PIN
12	8948	1	SCREW
14	2766	1	DISC
15	61530	1	DIVIDER
16	3136	1	NUT M 6 ZINC C
18	67088	1	CABINET KSE 970
19	61532	1	CLIP FOR FILTER KSE/KSP
20	61533	1	STRAP
21	61483	1	FILTER CASSETTE
22	6250	1	ADHESIVE TAPE
			PLEASE INDICATE LENGTHS IN METRES WHEN ORDERING
23	2764	1	DISC WAS 9323
24	10028	1	STEEL SCREW FOR SYNTH MAT
25	43286	1	BOLT FOR BK 900
26	61534	1	SQUARE HOLDER
29	2768	1	WASHER 13X2.5 ISO 7090 ZN
32	61547	1	TENSION SPRING
35	61547	1	TENSION SPRING

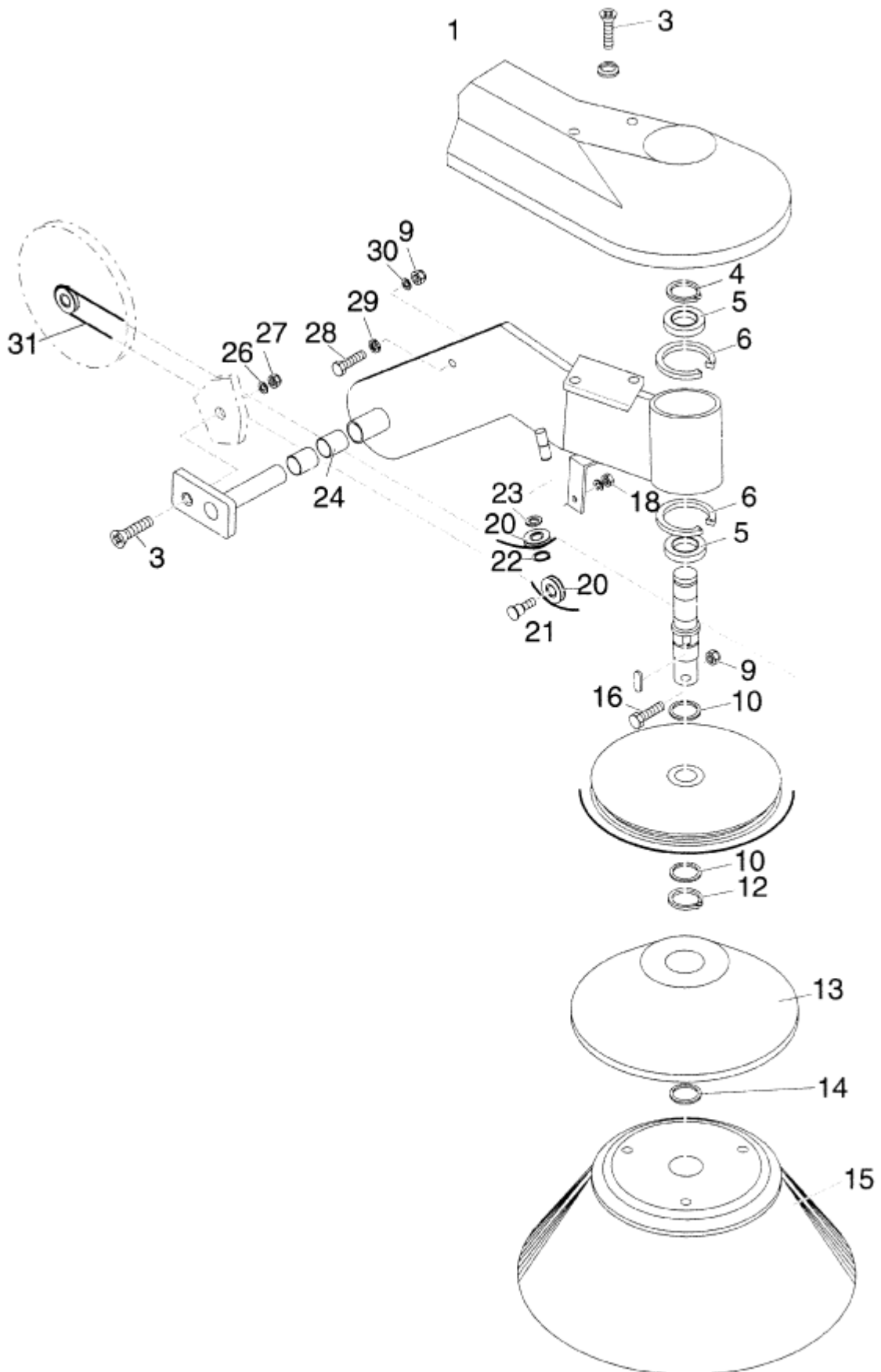
Side brush

KSP 970

06-09-2014

Part List ID
KSP97007

15



Side brush

KSP 970

06-09-2014

Part List ID
KSP97007

16

Pos	Part no.	Qty	Description
1	61523	1	SIDE BRUSH COVER KSE/KSP
3	46349	1	COUNTERSUNK SCREW M5X16
4	27279	1	SAFETY RING
5	44940	1	BEARING
6	44943	1	RING
9	11619	1	NUT
10	60727	1	SHIM RING AND SUPPORTING
12	27180	1	RING
13	60721	1	DISC MOULDING
14	60720	1	SHIM RING 14X20X0.5
15	303000062	1	ROPE BRAKE KSE-P 770/970
16	8918	1	SCREW - RA500
18	3136	1	NUT M 6 ZINC C
20	61524	1	PULLEY
21	61525	1	BEARING PIN
22	8878	1	SAFETY RING-NOW 11544
23	2767	1	WASHER
24	61520	1	SLEEVE D10XD12X15
26	2763	1	WASHER WAS 34987
27	7417	1	HEXAGON NUT
28	6991	1	RAISED DOME HEAD SCREW M6X25 DIN 7985 ZN
29	3136	1	NUT M 6 ZINC C
30	2764	1	DISC WAS 9323
31	61481	1	PULLEY BELT

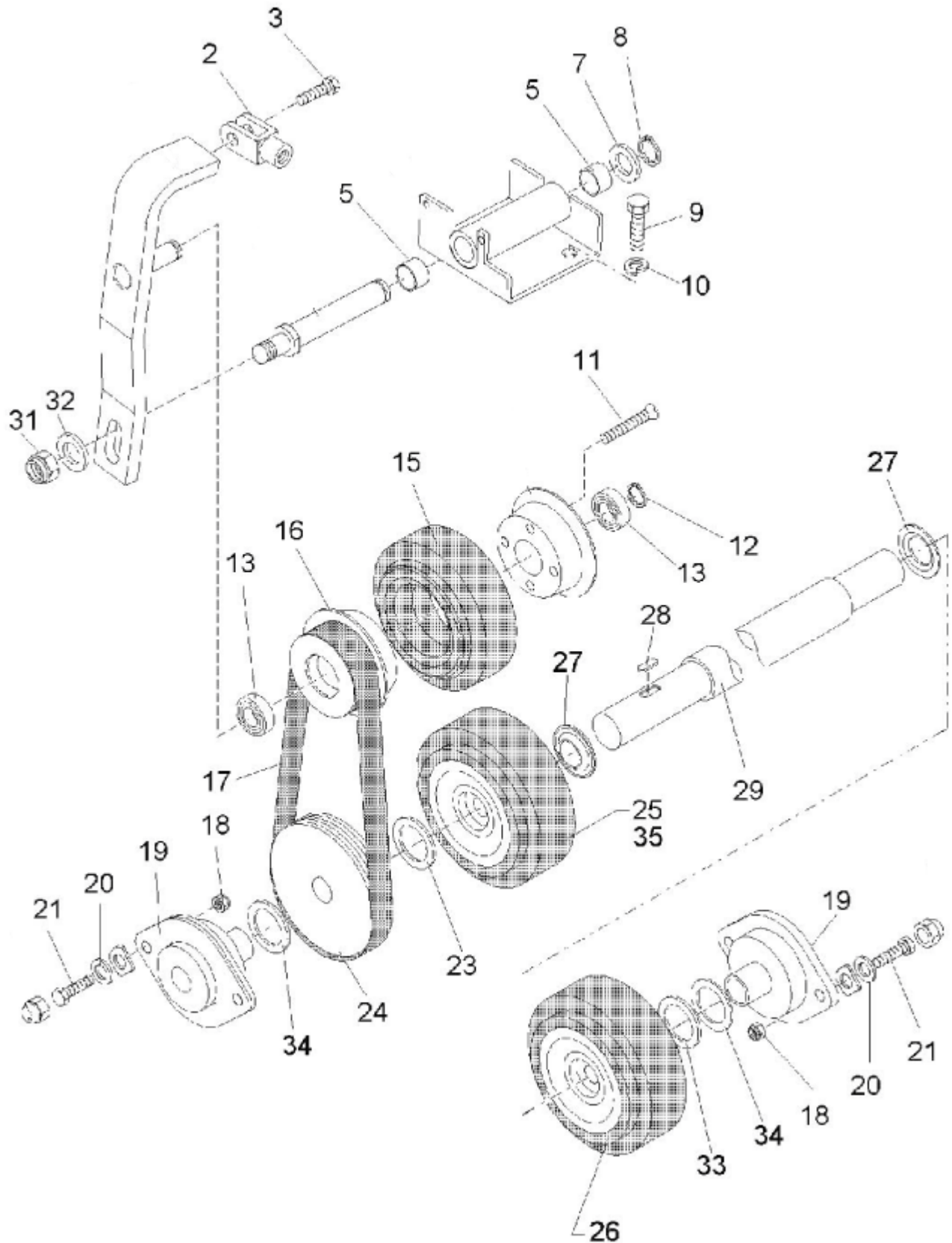
Wheels. Belt drive 01.01.2002=>

KSP 970

06-09-2014

Part List ID
KSP97008

17



Wheels. Belt drive 01.01.2002=>

KSP 970

06-09-2014

Part List ID
KSP97008

18

Pos	Part no.	Qty	Description
2	909100068	1	FORK HEAD
3	3285	1	HEX. SCREW M6X35 ISO 4017 ZN
8	27279	1	SAFETY RING
9	6557	1	SCREW
10	2770	1	SPRING WASHER
11	8947	1	COUNTERSUNK SCREW
12	23483	1	SECURE RING
13	20938	1	BEARING was 2809
15	61510	1	TYRE Ø124X36 FOR DRIVE
16	106522531	1	BELT PULLEY KSP 770 970
17	61511	1	BELT
18	11619	1	NUT
19	61512	1	BEARING UNIT
20	2764	1	DISC WAS 9323
21	2754	1	BOLT was 2757
23	909100358	1	WASHER 17X24X0.5 DIN
24	303000416	1	BELT PULLEY Ø91X20 KSE
25	303000375	1	WHEEL Ø150X46 RIGHT SIDE
26	303000374	1	WHEEL Ø150X46 LEFT SIDE
27	303000378	1	WASHER 33.0X17.0X2.0 K
29	303000377	1	WHEEL AXLE Ø 20X660
31	40018	1	NUT 6KT- M12 985 ZN
32	2768	1	WASHER 13X2.5 ISO 7090 ZN
33	909100358	1	WASHER 17X24X0.5 DIN
34	24191	1	DISC FOR DYNAMICS
35	62243	1	INNER RING IR 17X20X20

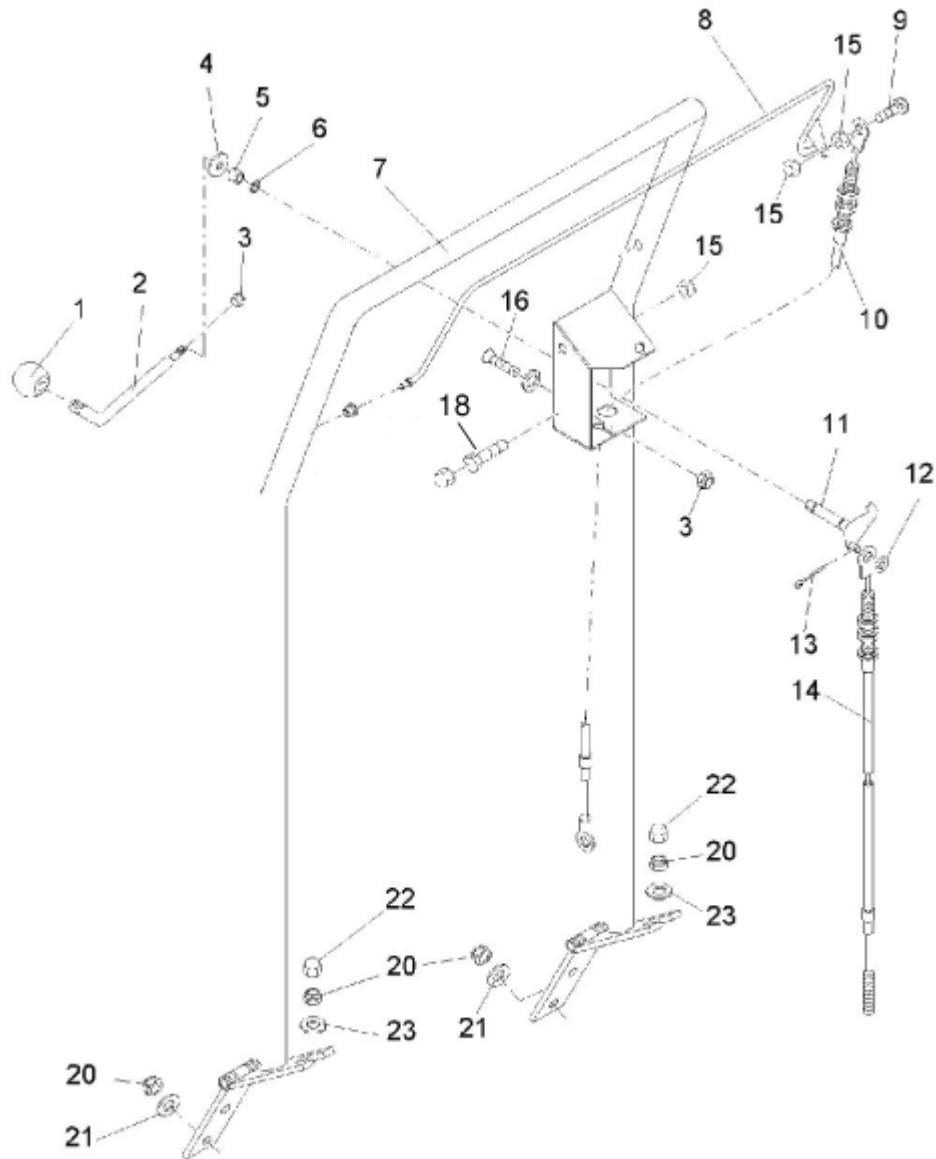
Handle 01.12.2001=>

KSP 970

06-09-2014

Part List ID
KSP97009

19



Handle 01.12.2001=>

KSP 970

06-09-2014

Part List ID
KSP97009

20

Pos	Part no.	Qty	Description
1	61528	1	SPHERICAL HANDLE Ø32 C M
2	65135	1	SHIFT LEVER
3	11619	1	NUT
4	2768	1	WASHER 13X2.5 ISO 7090 ZN
6	23483	1	SECURE RING
7	65054	1	BOW
8	65051	1	SHACKLE IF ACTUATION KSE/
9	17847	1	HEX. SCREW M6X20 ISO 4017 VA
10	303000199	1	BOWDEN CABLE
12	2764	1	DISC WAS 9323
14	61517	1	BOWDEN CABLE
15	11619	1	NUT
16	8946	1	BOLT
18	3285	1	HEX. SCREW M6X35 ISO 4017 ZN
20	1800515	1	LOCK NUT M8 (4100190)
21	2762	1	WASHER
22	29993	1	CAP
23	2793	1	WASHER