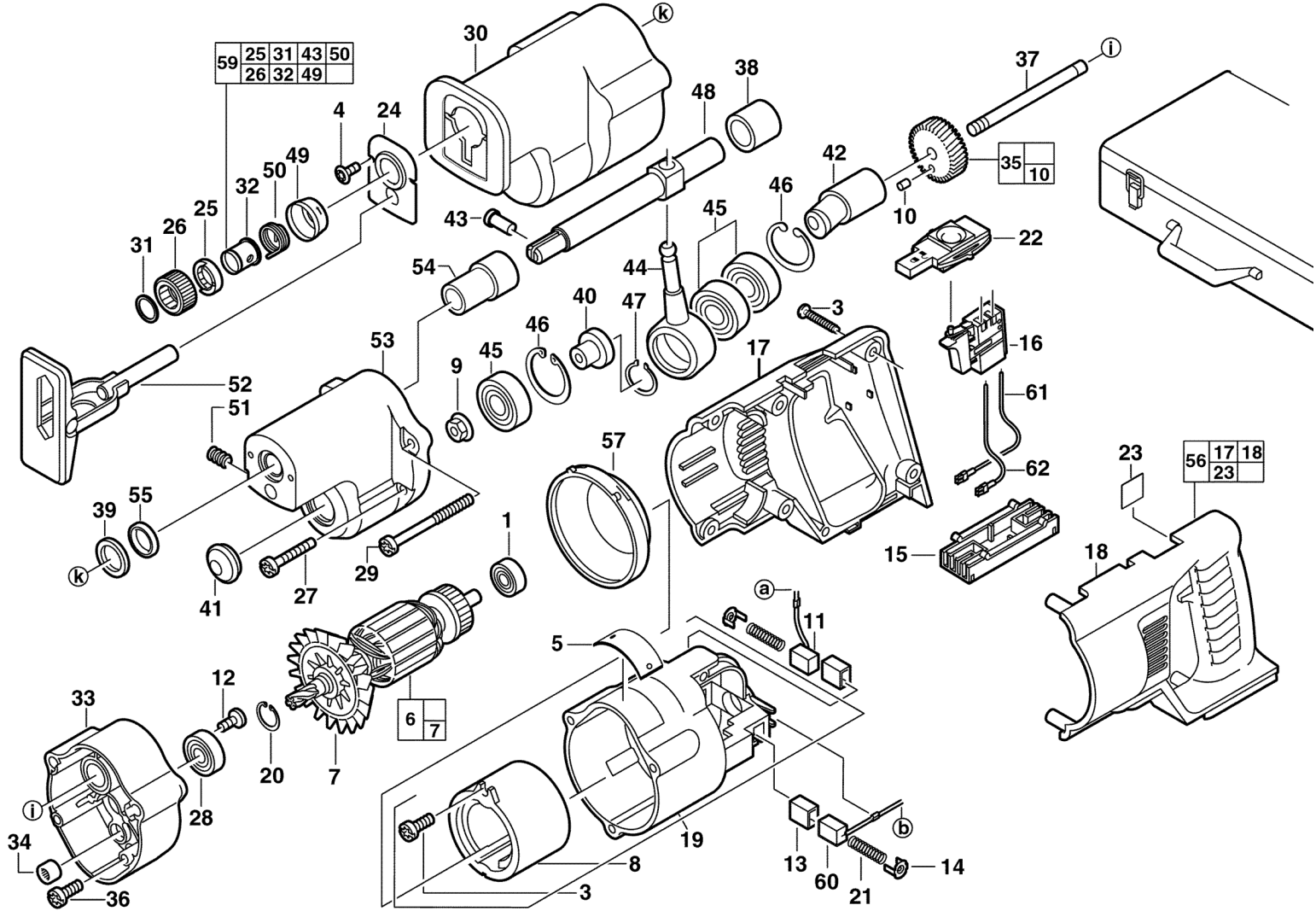


BATT.RECIPROCAT.SAW

4933753015 - PSX18 - 4000385698



Position	Quantity	Description	Part number	EAN
0005	1	NAME PLATE	12203420	
0006	1	ARMATURE	16011140	
0007	1	FAN	22840950	
0008	1	ELECTRIC FIELD	18010070	
0011	1	BALAI CHARBON	22180975	
0013	2	BRUSH HOLDER	22200860	
0014	2	BRUSH HOLDER	22320400	
0015	1	CONNECTION	22560230	
0016	1	SWITCH ASSEMBLY	23662485	4002395784820
0017	1	HANDLE RIGHT	31440750	
0018	1	HANDLE LEFT	31440755	
0020	1	LOCKING RING	34600810	
0021	2	PRESSURE SPRING	40508840	
0023	1	LABEL	10150175	4002395773381
0024	1	RETAINER SEAL RETAINER	44860615	
0025	1	CLAMPING RING	42500077	
0026	1	CLAMPING RING	42500076	
0031	1	RING	34603680	
0032	2	CLAMPING RING SLEEVE	45220081	
0033	1	DIAPHRAGM DIAPHRAGM	28282080	
0035	1	GEAR	32402365	
0038	1	BEARING	42240620	
0039	1	WASHER	45888577	
0040	1	SPACER	45361450	
0041	1	BEARING COVER	42520380	
0042	1	SHAFT	36920740	
0043	1	PIN LOCK SPRING	44600626	
0044	1	WOBBLE DRIVE WOBBLE PLATE FI	30720111	
0046	2	RING	34802600	
0047	1	RING	34601315	
0048	1	SPINDLE SPINDLE	38506005	
0049	1	CLAMPING RING	31150511	
0050	1	SPRING TORSION SPRING	40500161	
0052	1	STOP	45160615	
0055	1	FELT PACKING	45060501	
0057	1	DIAPHRAGM	31050080	
0059	1	FIXTEC-SET QUIK-LOK CLAMP KIT	14461011	
0061	1	WIRE LEAD WIRE ASSY-BLACK	23945890	
0062	1	WIRE LEAD WIRE ASSY-WHITE	23945895	