

PS 333 A

Model:
PS 333 A



Part List US-English

14-02-2015

Table of Contents

PS 333 A

Handle	3
Handle Ergoline - after SN 002530	6
Base	8
Gearbox	11
Tank	13
Accessories	15

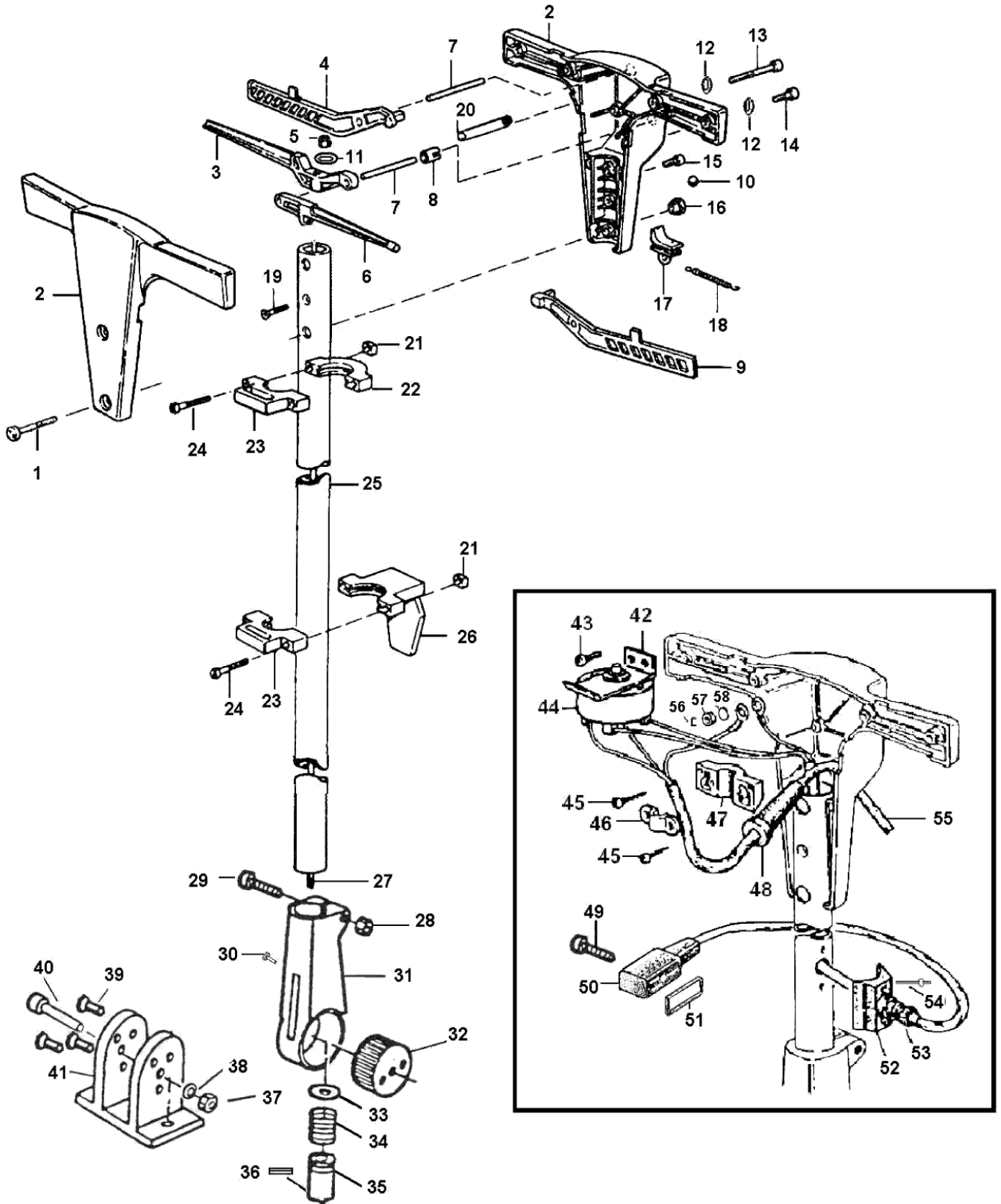
Handle

PS 333 A

14-02-2015

Part List ID
PS333A02

3



Handle

PS 333 A

14-02-2015

Part List ID
PS333A02

4

Pos	Part no.	Qty	Description
1	145 0601 000	2	SCREW.
2	145 0602 000	1	COVER. FRONT AND REAR
3	145 0603 000	1	HANDLE.
4	145 0604 000	1	HANDLE. RIGHT.
5	145 0605 000	1	MUTTER
6	145 0606 000	1	LEVER.
7	145 0607 000	3	PIN
8	60003100	1	SPACER. SHORT
9	145 0609 000	1	HANDLE. LEFT
10	60003101	2	SECURITY SPHERE
11		1	NOTE COMMENT WASHER, D5
12		6	NOTE COMMENT WASHER SCHNORR, DA6 C70
13		2	NOTE COMMENT COVER SCREWS, M6X60
14		4	NOTE COMMENT COVER SCREWS, M6X16
15		2	NOTE COMMENT SCREW, M5X30
16	145 0615 000	2	NUT.
17	145 0616 000	2	SAFETY INTERLOCK LEVER
18	145 0617 000	2	SPRING.
19		1	NOTE COMMENT SCREW, TSPCEI M5X30
20	60003102	2	SPACER. LONG
21		1	NOTE COMMENT INCLUDED IN KIT 104
22		4	NOTE COMMENT INCLUDED IN KIT 104
23		4	NOTE COMMENT INCLUDED IN KIT 104
24		1	NOTE COMMENT INCLUDED IN KIT 104
25	145 0619 000	1	HANDLE TUBE PS333
26		4	NOTE COMMENT INCLUDED IN KIT 104
27	145 0620 000	1	ROD.
28		1	NOTE COMMENT NUT, M6
29		1	NOTE COMMENT SCREW TCEI M6X30
30	78513012	1	RETAINING BOLT
31	145 0623 000	1	JOINT
32	145 0627 000	1	GEAR WHEEL.
33	145 0631 000	1	WASHER
34	145 0632 000	1	SPRING
35	145 0633 000	1	PRESSURE PLUNGER PS333
36	60003103	1	PIN D4 L8
37		1	NOTE COMMENT NUT, M8
38		1	NOTE COMMENT WASHER D8
39		3	NOTE COMMENT SCREW TSPCEI M6X20
40		1	NOTE COMMENT PIVOT BOLT TCEI M8X50
41	78514241	1	BRACKET
42	145 0651 000	1	SWITCH BRACKET
43		2	NOTE COMMENT SCREW, TCC M5X10

Handle

PS 333 A

14-02-2015

Part List ID
PS333A02

5

Pos	Part no.	Qty	Description
44	145 0635 000	1	SWITCH PS333/343
45		4	NOTE COMMENT SCREW TE 4.4X18 WITH EDGE
46	145 0639 000	1	CABLE GROMMET
47	145 0640 000	1	CABLE GROMMET
48	145 0652 000	1	SLEEVE.
49		1	NOTE COMMENT SCREW TCC M3X30 WITH EDGE
50	60003135	1	CABLE WITH PLUG 3X1
50	78512600	1	CABLE WITH STRAIGHT CONN.
51	60003104	4	GASKET MPM
52	145 0643 000	1	ANTI STRAIN
53	60003105	1	GUIDING SLIT PG9
54		2	NOTE COMMENT RIVET 4.8X10
55	60003136	1	POWER CABLE
55	78512055	1	MAIN CABLE
56	60003137	1	SQUARE WITH HOLE
57		1	NOTE COMMENT NUT M4 (FROM SN 001101)
58		1	NOTE COMMENT WASHER D4 (FROM SN 001101)
100	60003106	1	HANDLE KIT COMPLETE POS: 1-20, 42, 43, 45-48
101	60003134	1	HANDLE KIT COMPLETE POS: 1-20, 42, 43, 45-48, 56-58
102	60003107	1	SCREW KIT HANDLE POS: 1, 13-16
103	60003108	1	SELECTOR KIT COMPLETE POS: 28, 29, 31, 32, 37-41
104	60003126	1	TANK FIXING KIT POS: 21-24, 26

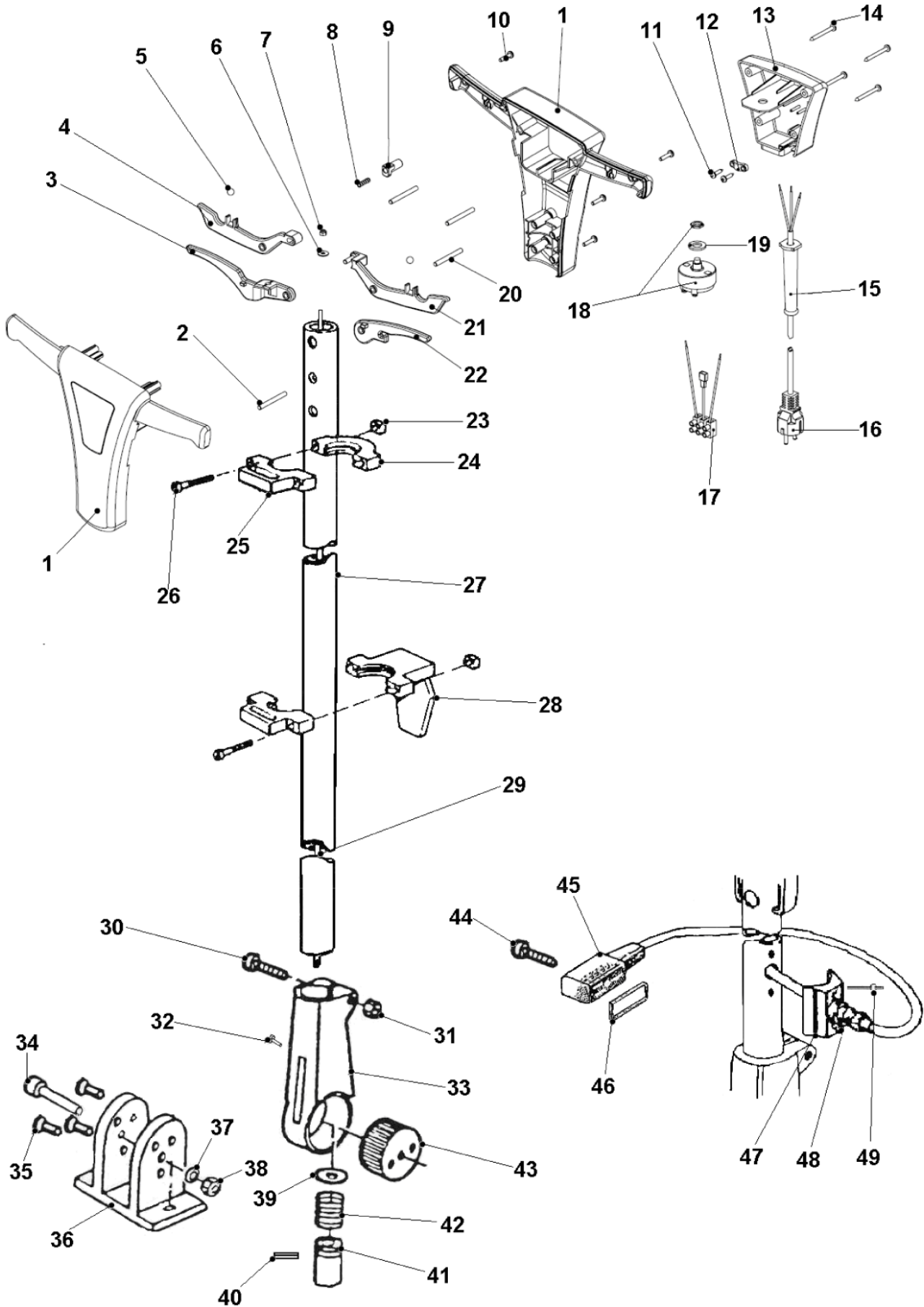
Handle Ergoline - after SN 002530

PS 333 A

14-02-2015

Part List ID
PS333AERGO

6



Handle Ergoline - after SN 002530

PS 333 A

14-02-2015

Part List ID
PS333AERGO

7

Pos	Part no.	Qty	Description
1		1	COVER FRONT REAR
2		1	PIN D6 X 54
3		1	HANDLE ADJUSTMENT LEVER
4		1	SWITCH LEVER RIGHT
5	60003101	1	SECURITY SPHERE
7	145 0605 000	1	MUTTER
8		1	SPRING F. SAFETY SWITCH
9		1	DAFETY SWITCH
12		1	RETAINER
13		1	BOX ELECTRICAL COMPONENT
15	145 0652 000	1	SLEEVE.
16	31000296	1	CABLE 3X1.5 MT.12
16	60003136	1	POWER CABLE
17		1	SOCKET
18	145 0635 000	1	SWITCH PS333/343
20		1	PIN D6 X 58
21		1	SWITCH LEVER LEFT
22		1	HANDLE F. TANK
24	60003126	1	TANK FIXING KIT
25	60003126	1	TANK FIXING KIT
27	145 0619 000	1	HANDLE TUBE PS333
28	60003126	1	TANK FIXING KIT
29	145 0620 000	1	ROD.
32	78513012	1	RETAINING BOLT
33	145 0623 000	1	JOINT
36	78514241	1	BRACKET
40	60003103	1	PIN D4 L8
41	145 0633 000	1	PRESSURE PLUNGER PS333
42	145 0632 000	1	SPRING
43	145 0627 000	1	GEAR WHEEL.
45	60003135	1	CABLE WITH PLUG 3X1
46	60003104	1	GASKET MPM
47	145 0643 000	1	ANTI STRAIN
48	60003105	1	GUIDING SLIT PG9
100		1	HANDLE KIT COMPLETE

Pos. 1-15, 17, 19-22

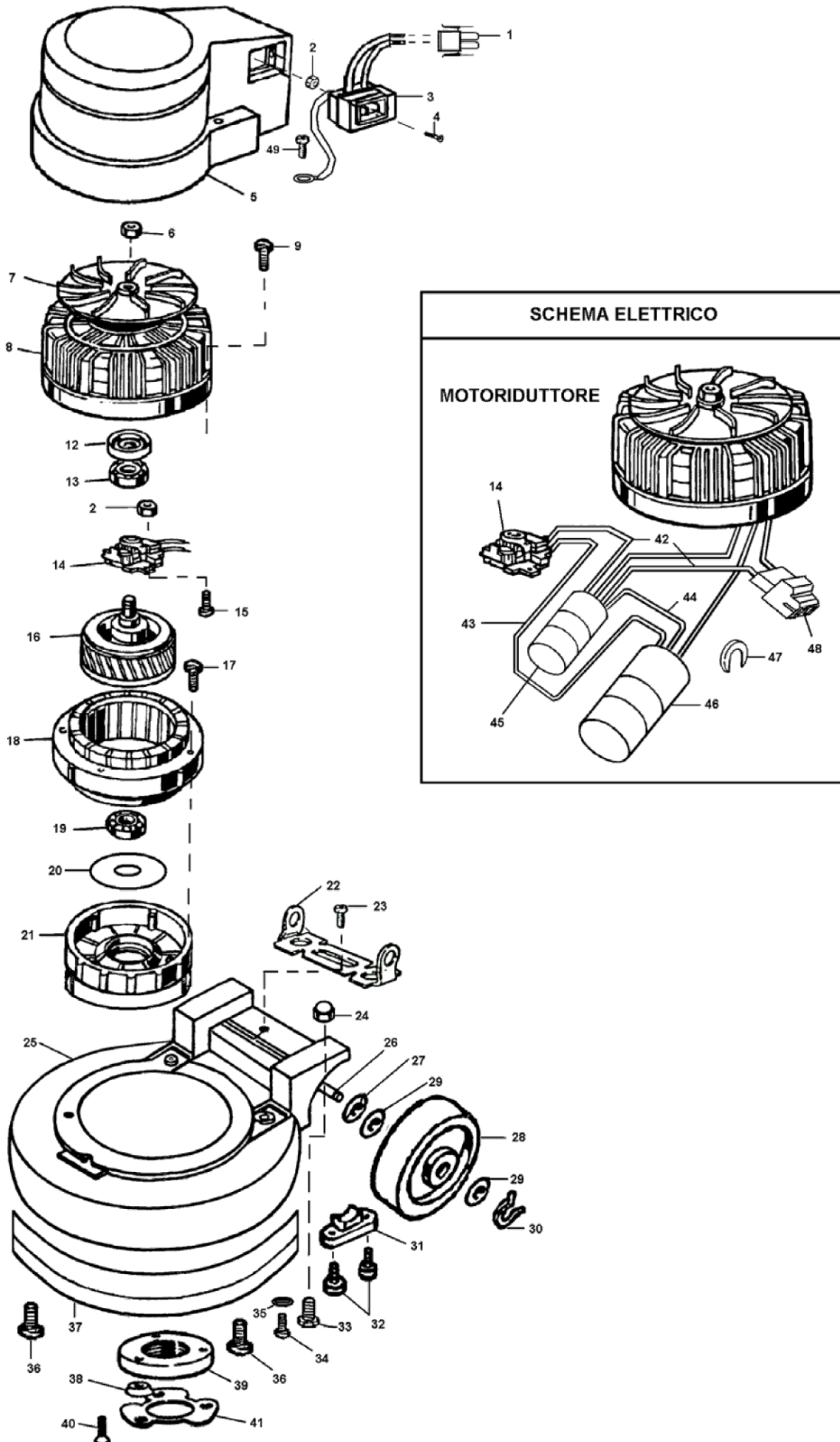
Base

PS 333 A

14-02-2015

Part List ID
PS333A04

8



Base

PS 333 A

14-02-2015

Part List ID
PS333A04

9

Pos	Part no.	Qty	Description
0	78517351	1	PS 333A BASE
1	60003109	1	PIN CONNECTOR
2		3	NOTE COMMENT BOLT M4
3	78512007	1	INLET SOCKET
4	60003110	1	SPECIAL SCREW M4X14
5	78515442	1	TOP COVER AND MOTOR HOUS.
6	78513868	1	NUT
7	78515443	1	COOLING FAN
8	60003111	1	MOTOR COVER
9		4	NOTE COMMENT SCREW TCC 4X40
12		1	NOTE COMMENT GAITER FOR BEARING 6001 ZZ
13		1	NOTE COMMENT BEARING 6001 ZZ
14	60003114	1	DISJUNCTOR
15		2	NOTE COMMENT SCREW TCC M4X16
16	60003132	1	ROTOR D. 127
16		1	NOTE COMMENT ROTOR D125 H30 (UNTIL SN 001101)
17		6	NOTE COMMENT SCREW TCC 3,9X44
18	60003133	1	STATOR 200 X 127
18		1	NOTE COMMENT STATOR D200/125 H30 (UNTIL SN 001101)
19		1	NOTE COMMENT BEARING E15
20		1	NOTE COMMENT WASHER 70X180X0.2
21	60003117	1	REDUCTION GEAR
22	78514117	1	CAPACITOR HOLDER
23		1	NOTE COMMENT SCREW TCCS 5X10 (UNTIL SN 001101)
23		1	NOTE COMMENT SCREW C15 SW 5X10 TS PH (FROM SN 001101)
24		2	NOTE COMMENT NUT M8
25	78514160	1	BASE CASTING
26		1	NOTE COMMENT WHEEL AXLE D12
27		2	NOTE COMMENT WHEEL WASHER 12X17X0.5
28		2	NOTE COMMENT WHEEL D100X36 DIAMETER 12
29		2	NOTE COMMENT WASHER D 12X18X0.5
30		2	NOTE COMMENT CIRCLIP 12E
31	78515273	2	HANDLEBAR RETAINER
32	78513007	4	SCREW
33		2	NOTE COMMENT SCREW TE M8X20
34		2	NOTE COMMENT SCREW TCEI M5X30
35		4	NOTE COMMENT WASHER DA5
36		5	NOTE COMMENT SCREW M5X16
37	78516050	1	RUBBER BUFFER
38		1	NOTE COMMENT SPACER+ NUT 25X5.25
39		1	NOTE COMMENT DRIVE HUB D36
40		3	NOTE COMMENT SCREW SW TSCE M8X20 INOX A2
41		1	NOTE COMMENT DRIVE HUB PLATE

Base

PS 333 A

14-02-2015

Part List ID
PS333A04

10

Pos	Part no.	Qty	Description	
42	60003118	1	CONDUCTOR WHITE DISJUNCTO	
43	60003119	1	CONDUCTOR WHITE	
44	60003120	1	CONDUCTOR YELLOW	
45	78512882	1	CAPACITOR	
46	145 0646 000	1	CAPACITOR 67-80MF. START	
47	60003121	1	COVER CAP D45	
48	60003122	1	CONNECTOR PIN	
49		1	NOTE COMMENT	SCREW C15 SW 5X6 TC PH (FROM SN 001101)
100	78511392	1	MOTOR AND GEARBOX ASSY.	POS: 2, 8, 9, 12-21, 38-43,48
101	60003130	1	MOTOR REDUCTOR	POS: 2, 8, 9, 12-21, 38-43,48
102	60003123	1	DRIVE HUB KIT COMPLETE	POS: 38-41
103	60003124	1	WHEELS KIT	POS: 26-30
104	60003125	1	PLUG KIT	POS: 1-4
105	20708400	1	KIT REPLACEMENT STATOR AND ROTOR	UPDATE KIT: SEE TSB_SD 2007-001
106	20708500	1	KIT REPLACEMENT MOTOR AND GEARBOX	UPDATE KIT: SEE TSB_SD 2007-001

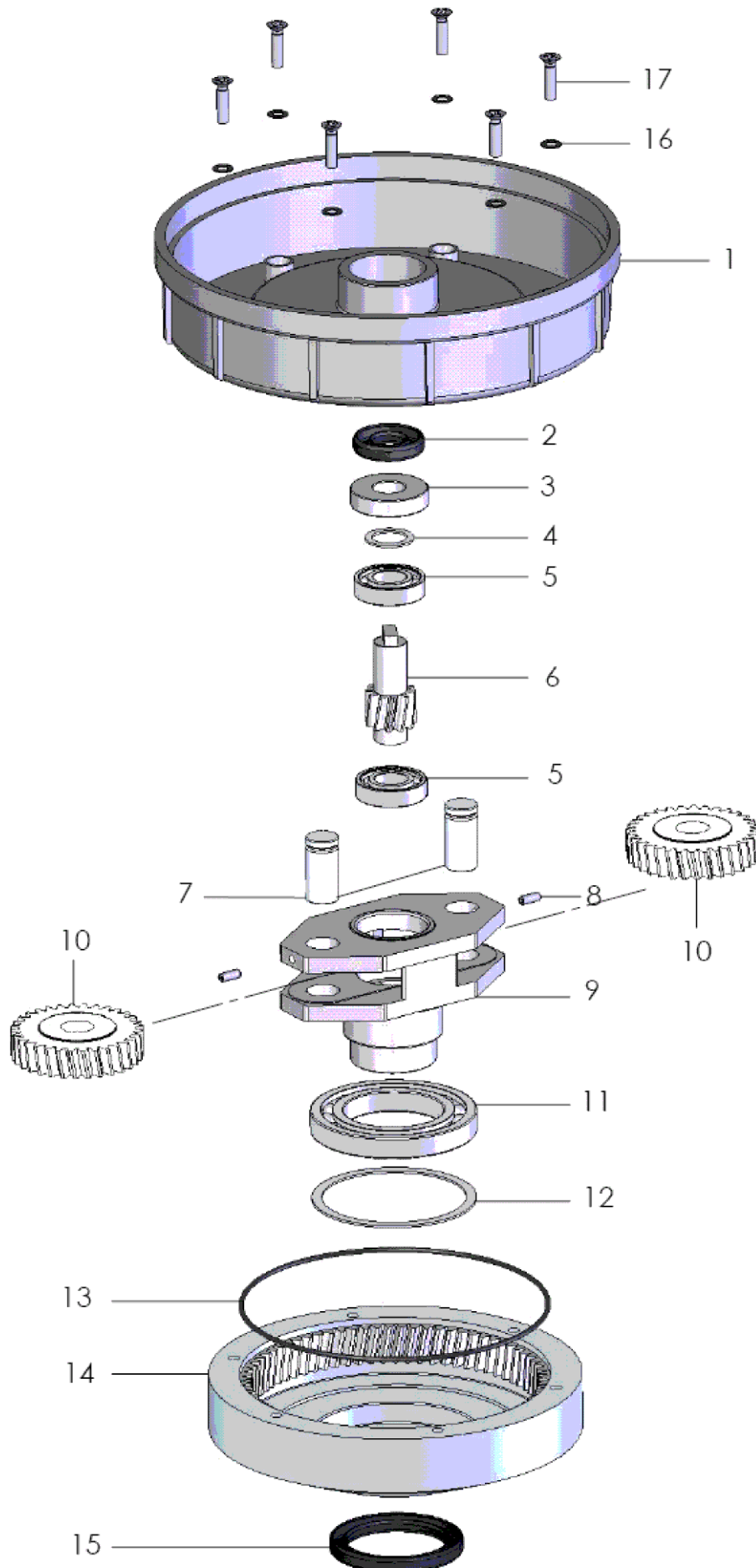
Gearbox

PS 333 A

14-02-2015

Part List ID
PS333A06

11



Gearbox

PS 333 A

14-02-2015

Part List ID
PS333A06

12

Pos	Part no.	Qty	Description
1	60003127	1	GEARBOX SUPPORT
2		1	NOTE COMMENT OLI SEAL 15X32X7 NBR TC
3		1	NOTE COMMENT BEARING E15
4		1	NOTE COMMENT WASHER D16X22X1
5		2	NOTE COMMENT BEARING SC 16002
6		1	NOTE COMMENT LAYSHAFT
7	78514179	2	GEAR SHAFT
8	78513010	2	GRUB SCREW
9	78514183	1	GEAR HOLDER
10	78515233	2	GEAR
11		1	NOTE COMMENT BEARING SC 16009
12		1	NOTE COMMENT WASHER 65X74X1
13		1	NOTE COMMENT O-RING 140X2
14	78514194	1	PLANETARY BOX
15	78513006	1	OIL SEAL
16		6	NOTE COMMENT CONIC WASHER D5
17		6	NOTE COMMENT SCREW TSPCEI M5X20
100	60003128	1	GEARBOX COMPLETE POS: 1-17

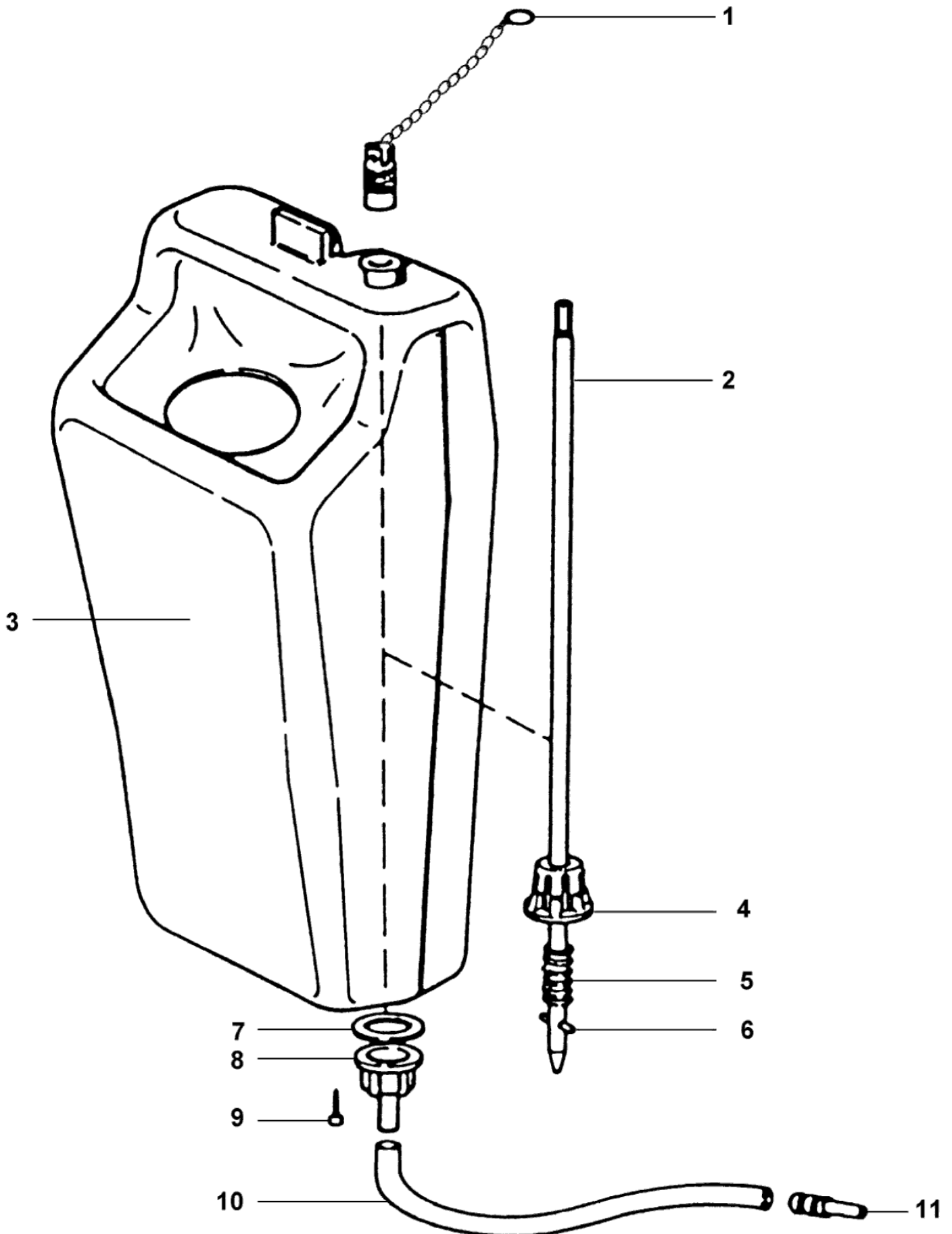
Tank

PS 333 A

14-02-2015

Part List ID
PS333A08

13



Tank

PS 333 A

14-02-2015

Part List ID
PS333A08

14

Pos	Part no.	Qty	Description
1	60003129	1	CHAIN ASSEMBLY TANK
2		1	NOTE COMMENT VALVE ROD
3		1	NOTE COMMENT TANK ASSY CPL
4		1	NOTE COMMENT VALVE HOUSING
5		1	NOTE COMMENT SPRING FOR VALVE HOUSING
6		1	NOTE COMMENT PIN
7		1	NOTE COMMENT SEAL WASHER
8		1	NOTE COMMENT VALVE SEAT
9		4	NOTE COMMENT SCREW, STAINLESS TCC 3,5X40 CP INOX A2
10	145 0756 000	1	HOSE
11	145 0757 000	1	FEED NOZZLE
100	145 0765 000	1	VALVE CPL. Pos: 4, 5, 7-9

Accessories

PS 333 A

14-02-2015

Part List ID
PS333A09

15

No Drawing For Part List

Accessories

PS 333 A

14-02-2015

Part List ID
PS333A09

16

Pos	Part no.	Qty	Description
1	140 7505 000	1	PAD HOLDER
2	140 7506 000	1	BRUSH NYLON 330 MM
5	10001914	1	PAD 13 330MM ECO RED 5PCS
6	10001915	1	PAD 13 330MM ECO WHITE 5PCS
7	10001911	1	PAD 13 330MM ECO BLUE 5PCS
8	10001912	1	PAD 13 330MM ECO BROWN 5PCS
9	140 7509 000	1	TANK FOR PS333/343