

SW 750

Model:
SW 750



Stykliste Dansk

28-03-2015

Indholdsfortegnelse

SW 750

Oversigtsbillede	3
Chassissystem	5
SIDEKOSTSAMLING	7
Skidkassesystem	9
TRANSMISSIONSSYSTEM	11
Left and right hatch assembly	13
Belt tensioner assemblies	15
Støvkontrolsystem	17
VAKUUMSYSTEM	19
KONTROLPANELSAMLING	21
LEDNINGSDIAGRAM	23
ANBEFALEDE RESERVEDELE	25

Översigtsbillede

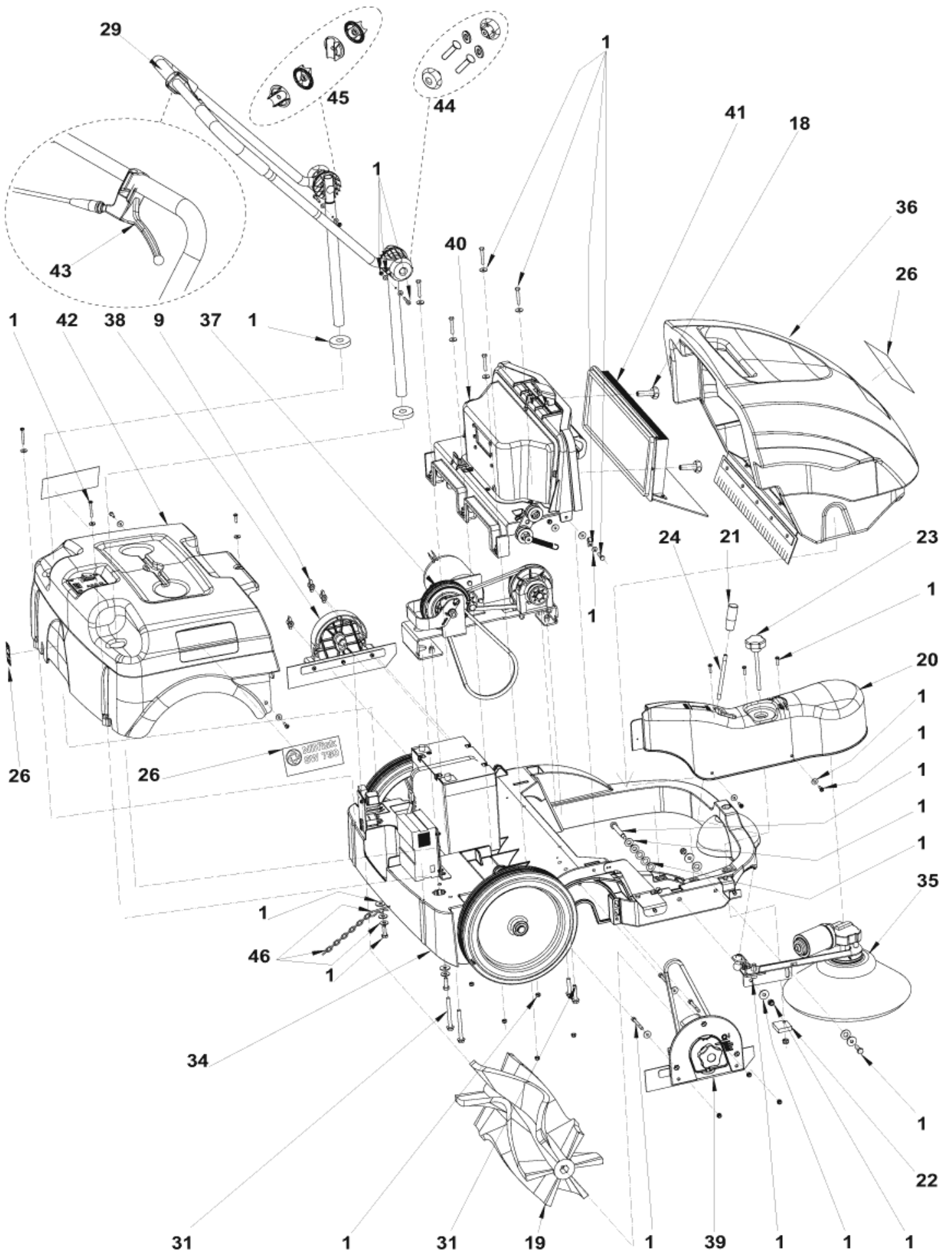
SW 750

28-03-2015

StyMiste ID

F233103

3



Oversigtsbillede

SW 750

28-03-2015

StyMiste ID

FZ33103

4

Pos	Vare nr.	Ant	Beskrivelse	
0	1463171000	1	Tæppe kit	ACCESSORY
0	1463885000	1	CARDBOARD BOX 1060X900X690MM	
1	1463858000	1	GENERAL HARDWARE KIT	
9	145 0461 000	3	Vinge Møtrik M6	
18	146 2991 000	2	Fingermøtrik, M6	
19	146 3016 000	1	Fejev alse til tæpper/naturfiber	
19	1463174000	1	Fejev alse standard	
20	146 3033 000	1	CRANKCASE SIDE BROOM	
21	146 3037 000	1	HANDLE LEVER	
22	146 3038 000	1	ADJUSTER BLOCK F. BROOM	
23	146 3039 000	1	KNOB M8X110	
24	146 3040 000	1	LEVER SIDE BROOM	
26	1463979000	1	DECALS SW750 KIT	
29	146 3066 000	1	HANDLE BAR	
31	1463868000	1	HARDWARE TRANSMISSION SYST KIT	
34		1	USE LINK	CHASSIS SYSTEM
35		1	USE LINK	SIDE BROOM ASSEMBLY
36		1	USE LINK	HOPPER SYSTEM
37		1	USE LINK	TRANSMISSION SYSTEM
38		1	USE LINK	LEFT HATCH ASSEMBLY
39		1	USE LINK	RIGHT HATCH ASSEMBLY
40		1	USE LINK	DUST CONTROL SYSTEM
41		1	USE LINK	FILTER ASSEMBLY
42		1	USE LINK	CONTROL PANEL ASSEMBLY
43	146 3068 000	1	Håndbremse M. Kabel	
44	1463859000	1	Monteringsæt-Sæt	
45	909 5099 000	1	Justeringskrue Kit	
46	1463260000	1	CHAIN KIT	

Chassissystem

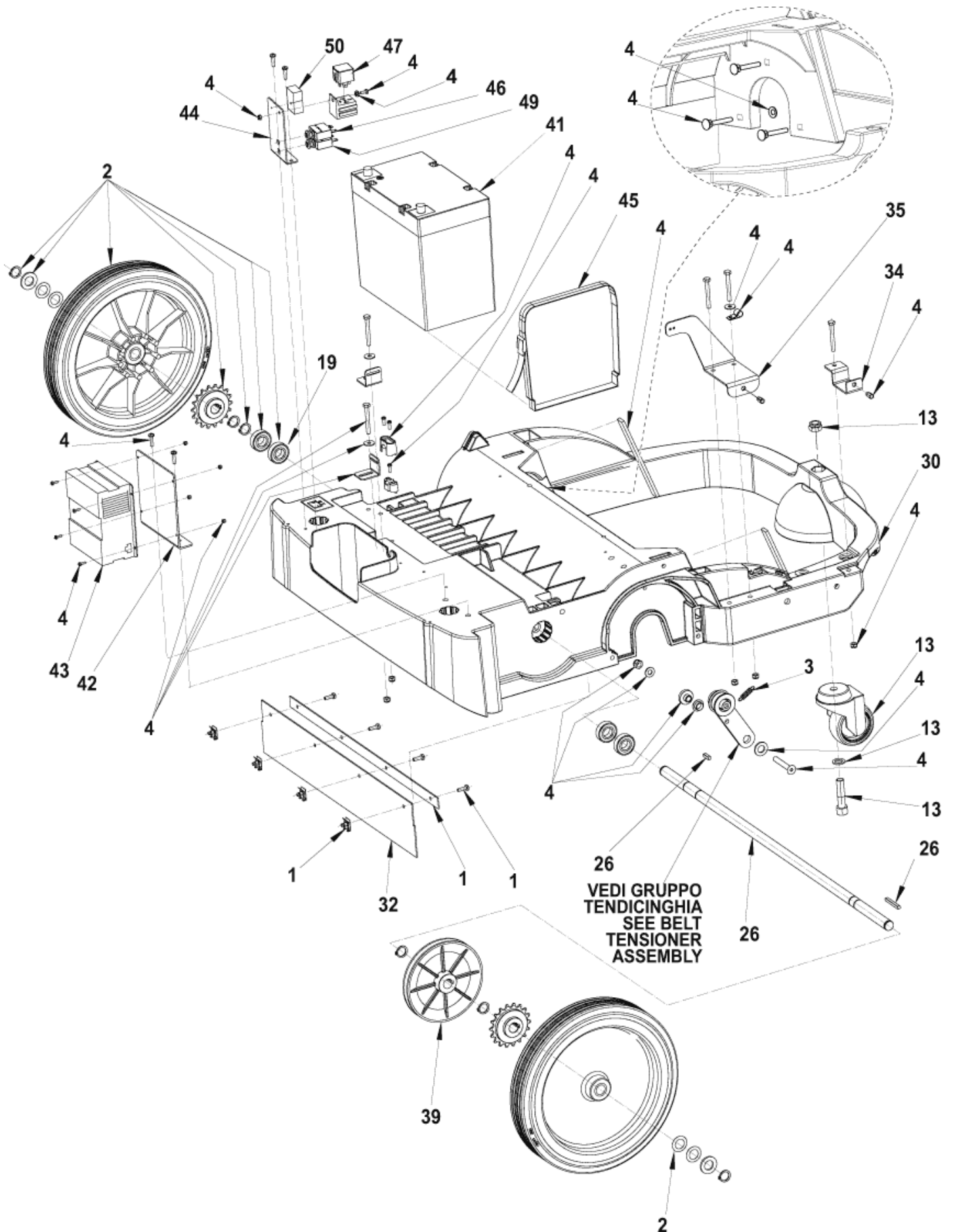
SW 750

28-03-2015

StyMiste ID

F233107

5



Chassissystem

SW 750

28-03-2015

StyMiste ID

FZ33107

6

Pos	Vare nr.	Ant	Beskrivelse	
0	145 9788 000	1	Sikring	
0	146 3052 000	1	HARNES MACHINE	
0	1463167000	1	Sværtefrit skørt kit (side, bag, for)	ACCESSORY
0	1463201000	1	BATTERY CLAMPS POS.-NEG.KIT	ACCESSORY
0	909 5676 000	1	CABLE EXTENSION UK PLUG L.1000MM	
0	9096914000	1	Cable Extension Us Plug	
0	9100000790	1	CABLE EXTENSION EU PLUG L.1000MM PKD	
1	146 3124 000	1	Gummi Skørt & Plade Kit	
2	1463860000	2	Wheel Black Kit	
3	145 8925 000	1	SPRING	
4	1463861000	1	HARDWARE CHASSIS SYSTEM KIT	
0A	1463255000	1	Sideskørt-sæt	ACCESSORY FROM SERIAL NO.072014268
13	1463862000	1	Wheel Castor Kit	
19	145 8415 000	4	Lager	
26	1463863000	1	SHAFT WHEELS KIT	
30	146 2978 000	1	Chassis	
32	1463166000	1	Sideskørt kit, standard	
34	146 2983 000	1	BRACKET CARTER FIXING	
35	146 2984 000	1	BRACKET CARTER FIXING	
39	146 2998 000	1	Pulley D.140	
41	1464483000	1	Batteri 12V 49A AGM monoblok	ACCESSORY - TSB IT 2010-058
41	1464853000	1	Batteri 12V 87A AGM monoblok	ACCESSORY - TSB IT 2010-058
42	146 3050 000	1	BRACKET BAT.CHARGER FIX	
43	146 3051 000	1	Indbygget oplader 12V 6A	
44	146 3053 000	1	SUPPORT ELECTRONIC COMP.	
45	146 3054 000	1	Bælte til fastgørelse af batteri	
46	146 3090 000	1	CIRCUIT BREAKER 5A	
47	146 3113 000	1	Relæ, 12V 70 A Tyco	
49	909 5706 000	1	Sikring 30A	
50	909 6341 000	1	HOLDER FUSE	

SIDEKOSTSAMLING

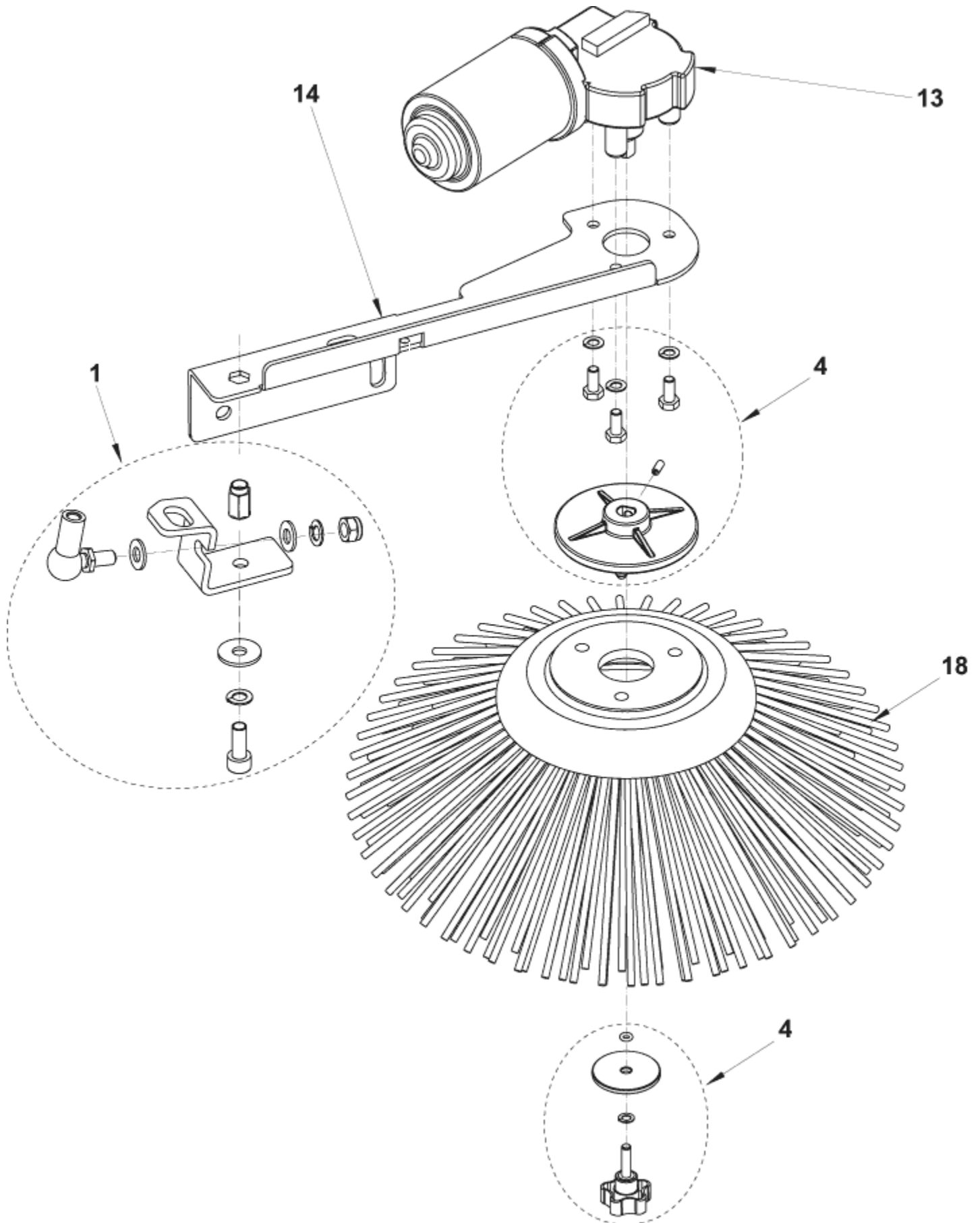
SW 750

28-03-2015

StyMiste ID

F233111

7



SIDEKOSTSAMLING

SW 750

28-03-2015

StyMiste ID

FZ33111

8

Pos	Vare nr.	Ant	Beskrivelse
1	1463864000	1	HARDWARE SIDE BROOM KIT
4	1463865000	1	Monteringsplade
13	1465999000	1	REDUCTION GEARMOTOR 40W 12V PKD
14	146 3029 000	1	SUPPORT SIDE BROOM
18	146 3035 000	1	Sidekost standard
18	146 3036 000	1	Sidekost nylon til tæpper ACCESSORY

Skidtkassesystem

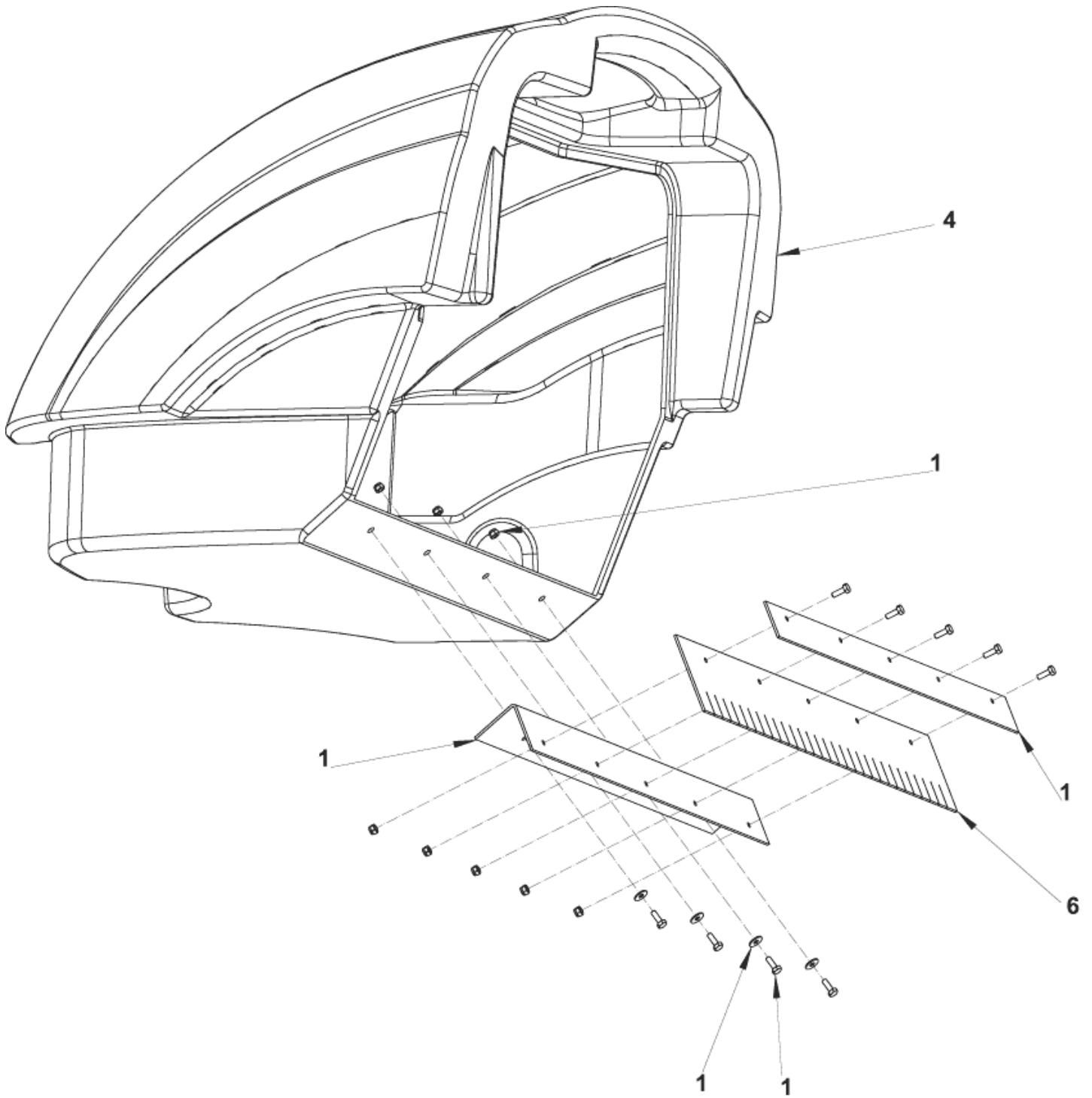
SW 750

28-03-2015

StyMiste ID

F233113

9



Skidtkassesystem

SW 750

28-03-2015

StyMiste ID

FZ33113

10

Pos	Vare nr.	Ant	Beskrivelse
1	146 3124 000	1	Gummi Skørt & Plade Kit
4	146 3042 000	1	Skidtkasse Sw 750
6	1463166000	1	Sideskørt kit, standard

TRANSMISSIONSSYSTEM

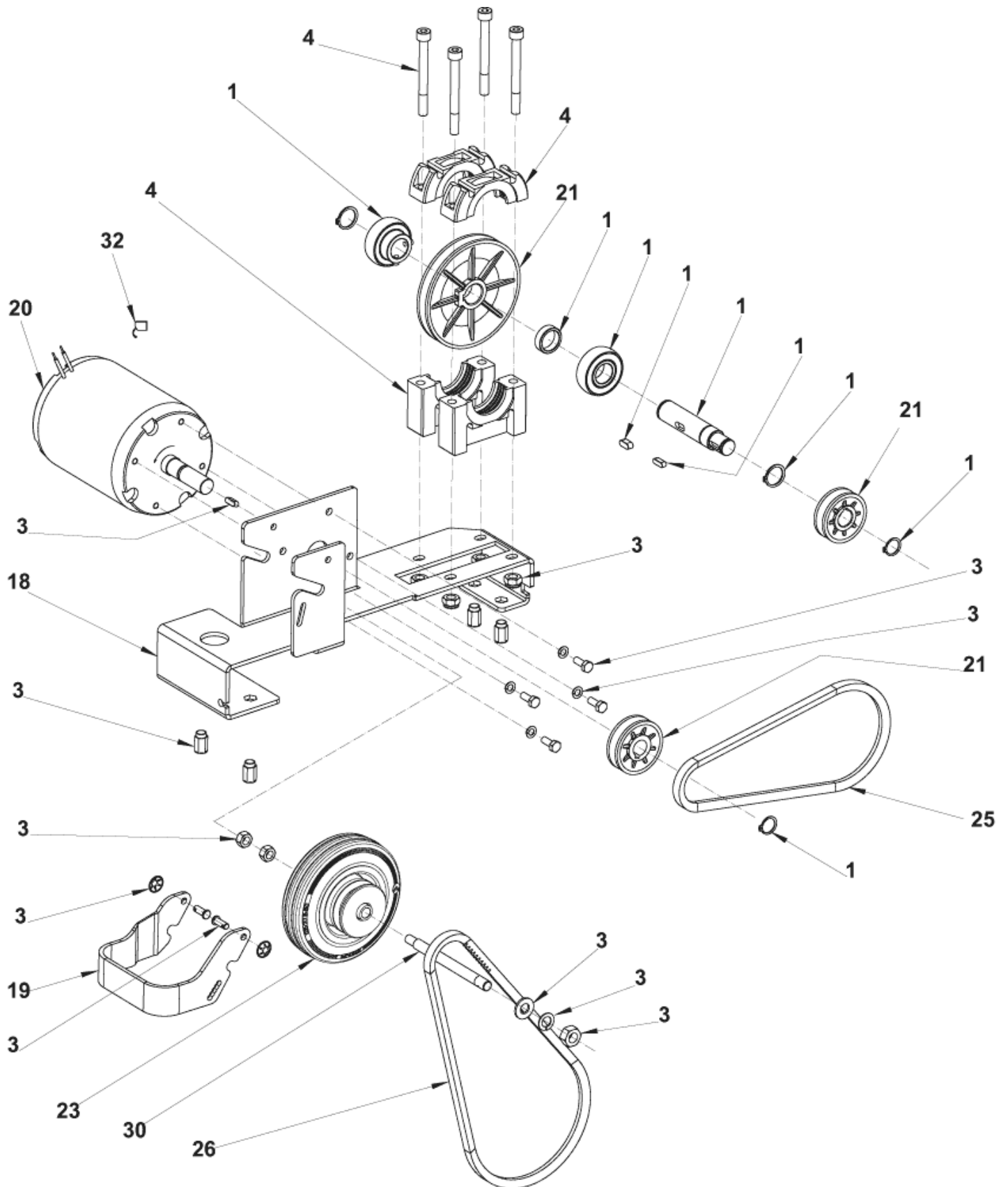
SW 750

28-03-2015

StyMiste ID

F233115

11



TRANSMISSIONSSYSTEM

SW 750

28-03-2015

StyMiste ID

FZ33115

12

Pos	Vare nr.	Ant	Beskrivelse
1	1463867000	1	Shaft Pulley s Kit
3	1463868000	1	HARDWARE TRANSMISSION SYST KIT
4	1463866000	1	Bearing Supports Kit
18	146 3000 000	1	PLATE MOTOR SUPPORT
19	146 3002 000	1	BRACKET CLUTCH WHEEL
20	1465998000	1	MOTOR ELECTRIC 200W 12V PKD
21	1463869000	1	Remskive-Sæt
23	146 3006 000	1	Remskive
25	1463305000	1	Rem
26	1464045000	1	Rem-Sæt
30	146 3013 000	1	SHAFT DRIVE CLUTCH WHEEL
32	909 6893 000	1	Carbon Brush Kit -4Pcs-

Left and right hatch assembly

SW 750

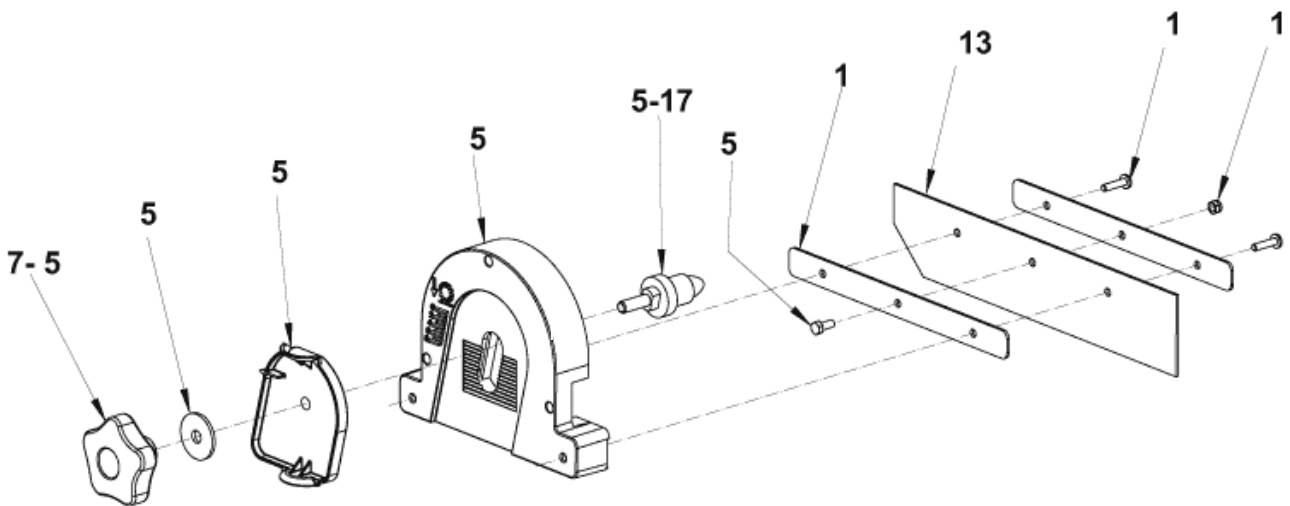
28-03-2015

StyMiste ID

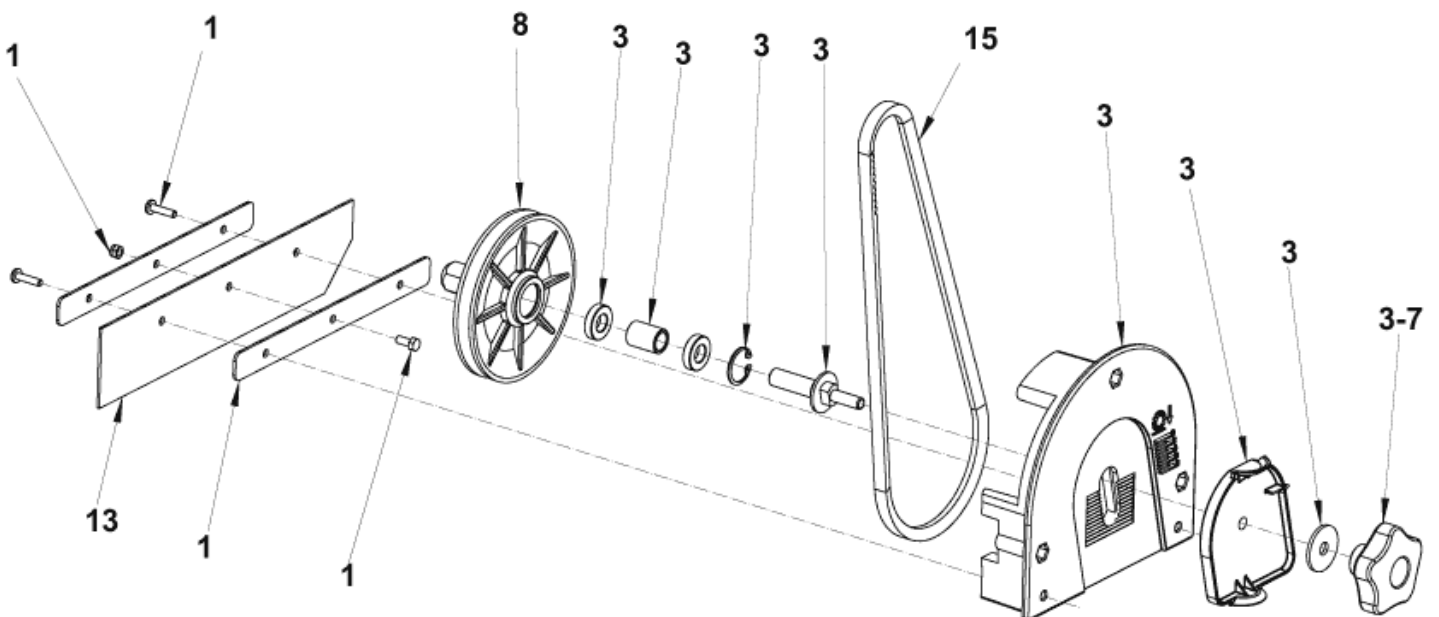
F233117

13

ASSIEME PORTELLO SINISTRO - LEFT HATCH ASSEMBLY



ASSIEME PORTELLO DESTRO - RIGHT HATCH ASSEMBLY



Left and right hatch assembly

SW 750

28-03-2015

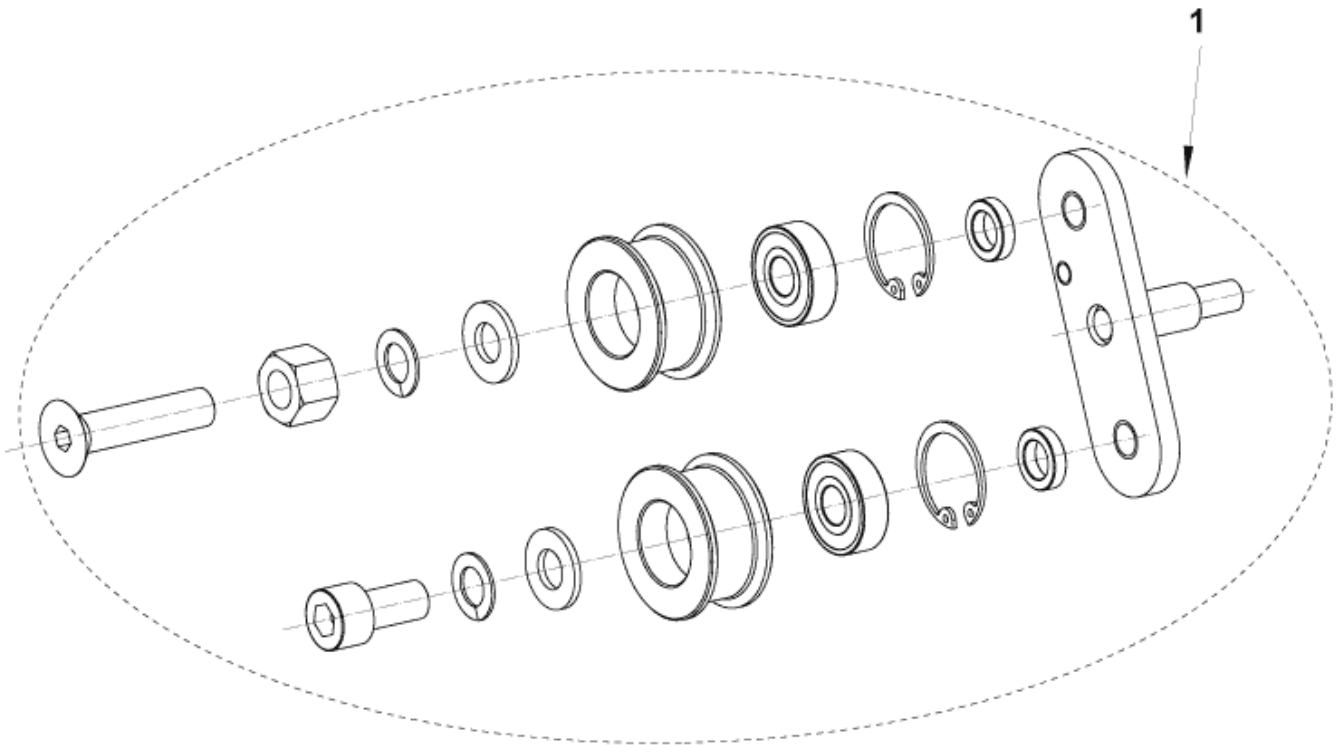
StyMiste ID

FZ33117

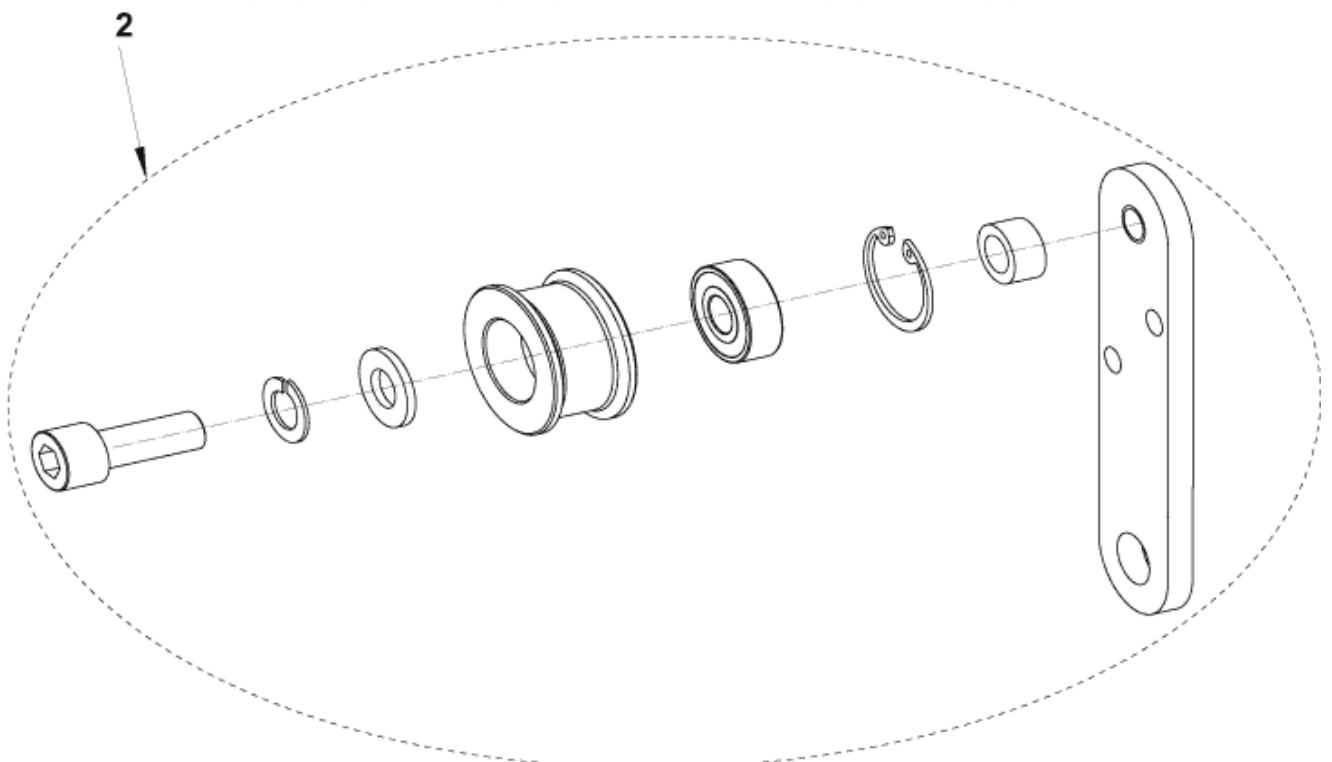
14

Pos	Vare nr.	Ant	Beskrivelse
1	146 3124 000	1	Gummi Skørt & Plade Kit
3	1463870000	1	Hatch Right Fixing Kit
5	1463871000	1	Holder For Sidebørste (V)
7	146 1852 000	2	Knob M8
8	146 3014 000	1	Remskive, D 112
13	1463166000	1	Sideskørt kit, standard
15	146 3027 000	1	Rem
17	146 3020 000	1	Stift

GRUPPO TENDICINGHIA DOPPIO - DOUBLE BELT TENSIONER ASSEMBLY



GRUPPO TENDICINGHIA - BELT TENSIONER ASSEMBLY



Belt tensioner assemblies

SW 750

28-03-2015

StyMiste ID

FZ33119

16

Pos	Vare nr.	Ant	Beskrivelse
1	1463872000	1	BELT TENSIONER DOUBLE KIT
2	1463873000	1	BELT TENSIONER KIT

Støvkontrollsystem

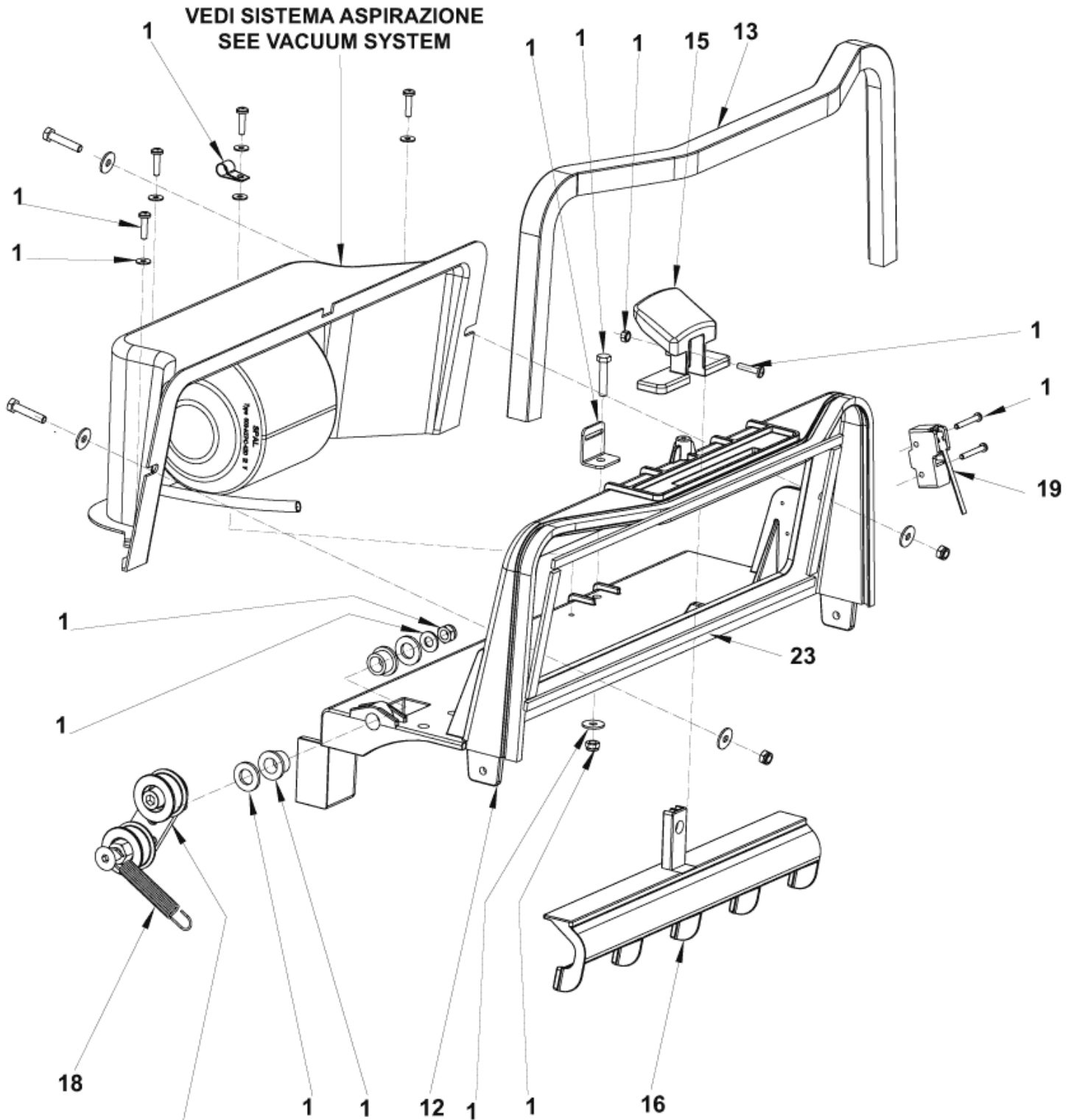
SW 750

28-03-2015

StyMiste ID

F233121

17



Støvkontrolsystem

SW 750

28-03-2015

StyMiste ID

FZ33121

18

Pos	Vare nr.	Ant	Beskrivelse
1	1463874000	1	Hardware Kit
12	146 2988 000	1	Pakning Til Filter
13	1463747000	1	GASKET EXTRUDED L.845MM
15	146 2992 000	1	Håndtag For Filterryster
16	146 2993 000	1	Håndtag For Filter Ryster
18	145 0274 000	1	Fjeder
19	145 9679 000	1	Microswitch 16A 250V
23	1463176000	2	Pakning Sw750

VAKUUMSYSTEM

SW 750

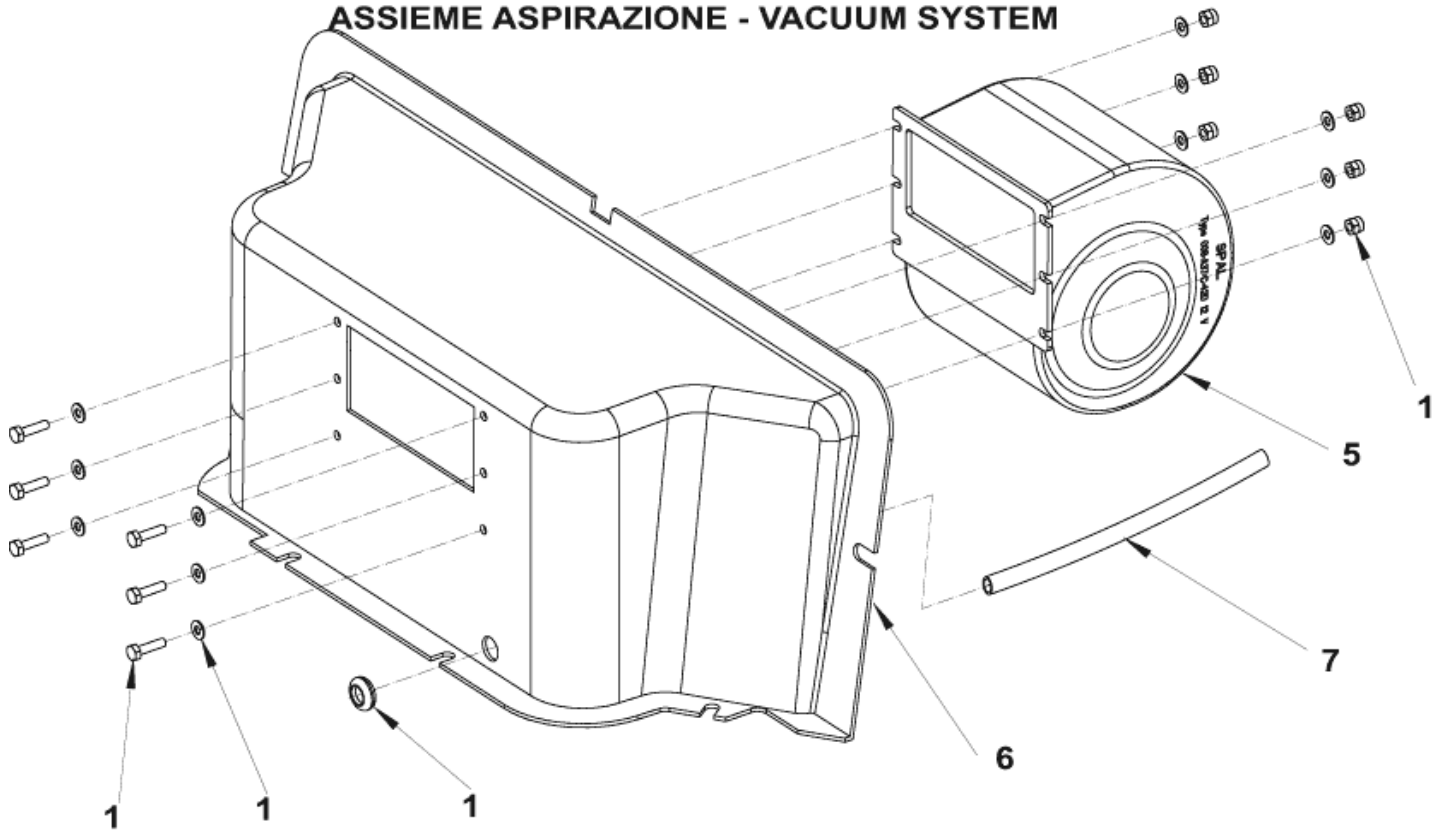
28-03-2015

StyMiste ID

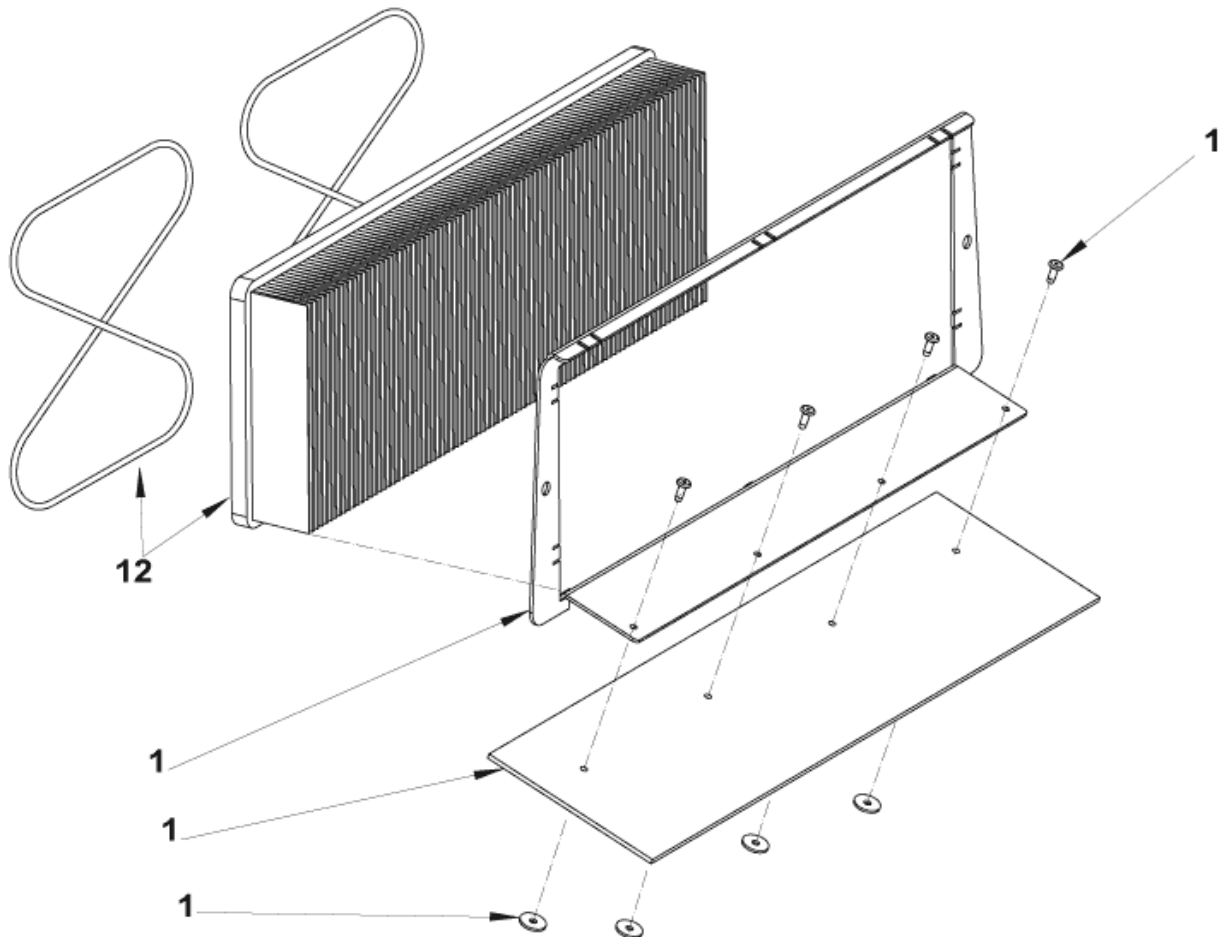
F233123

19

ASSIEME ASPIRAZIONE - VACUUM SYSTEM



GRUPPO FILTRO - FILTER ASSEMBLY



VAKUUMSYSTEM

SW 750

28-03-2015

StyMiste ID

FZ33123

20

Pos	Vare nr.	Ant	Beskrivelse
1	1463875000	1	Hardware Filter Fixing Ki T
5	146 1804 000	1	Ventilator Vinge
6	146 3055 000	1	CONVEYOR
7	146 3125 000	1	SHEATH D.6XD.7 L 200
12	1463161000	1	Filter poly ester kit

KONTROLPANELSAMLING

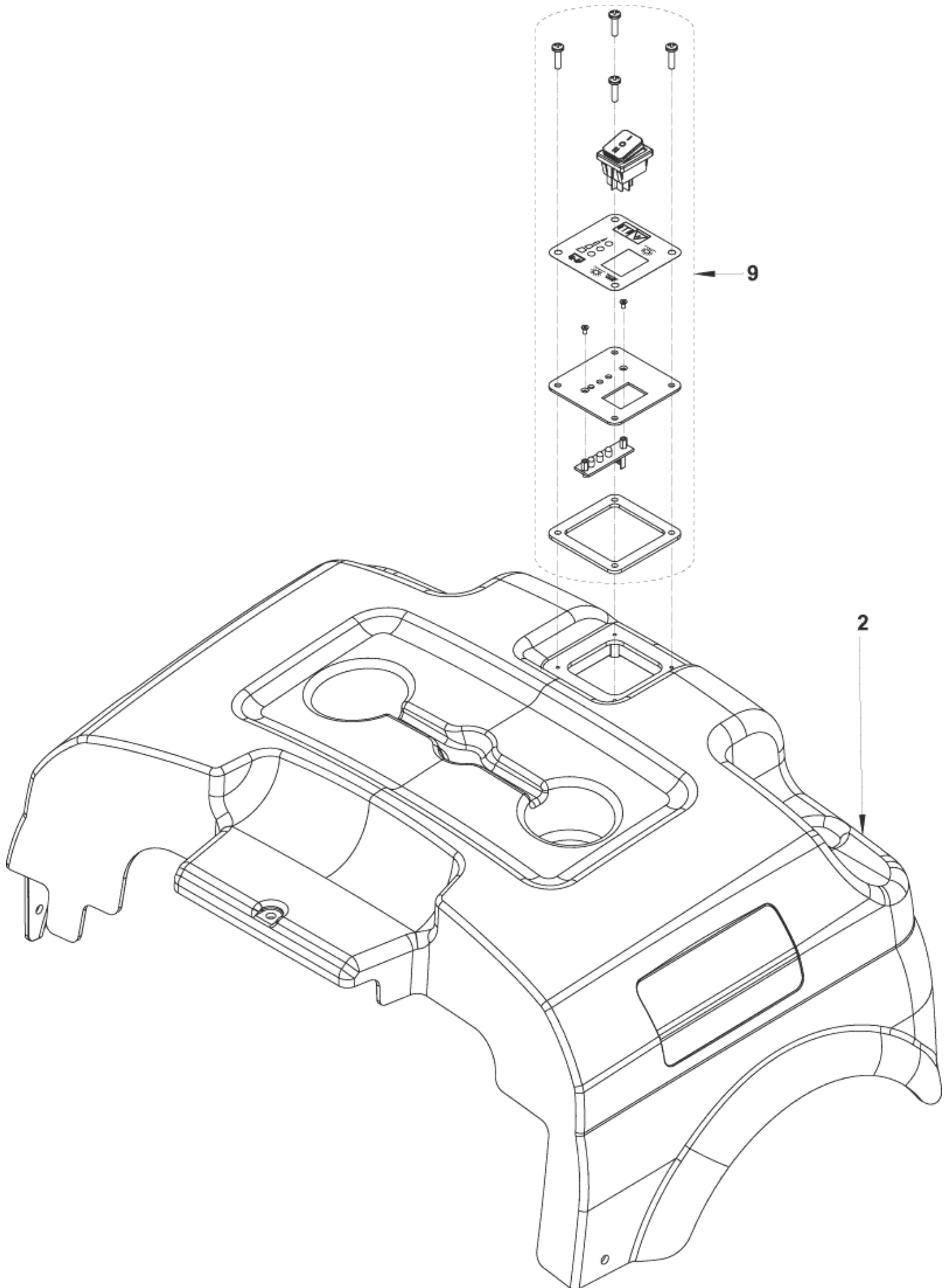
SW 750

28-03-2015

StyMiste ID

F233125

21



KONTROLPANELSAMLING

SW 750

28-03-2015

StyMiste ID

FZ33125

22

Pos	Vare nr.	Ant	Beskrivelse
2	146 3069 000	1	COVER REAR GREY
9	146 3123 000	1	Kontrol Panel M/Decal Kit

LEDNINGSDIAGRAM

SW 750

28-03-2015

StyMiste ID

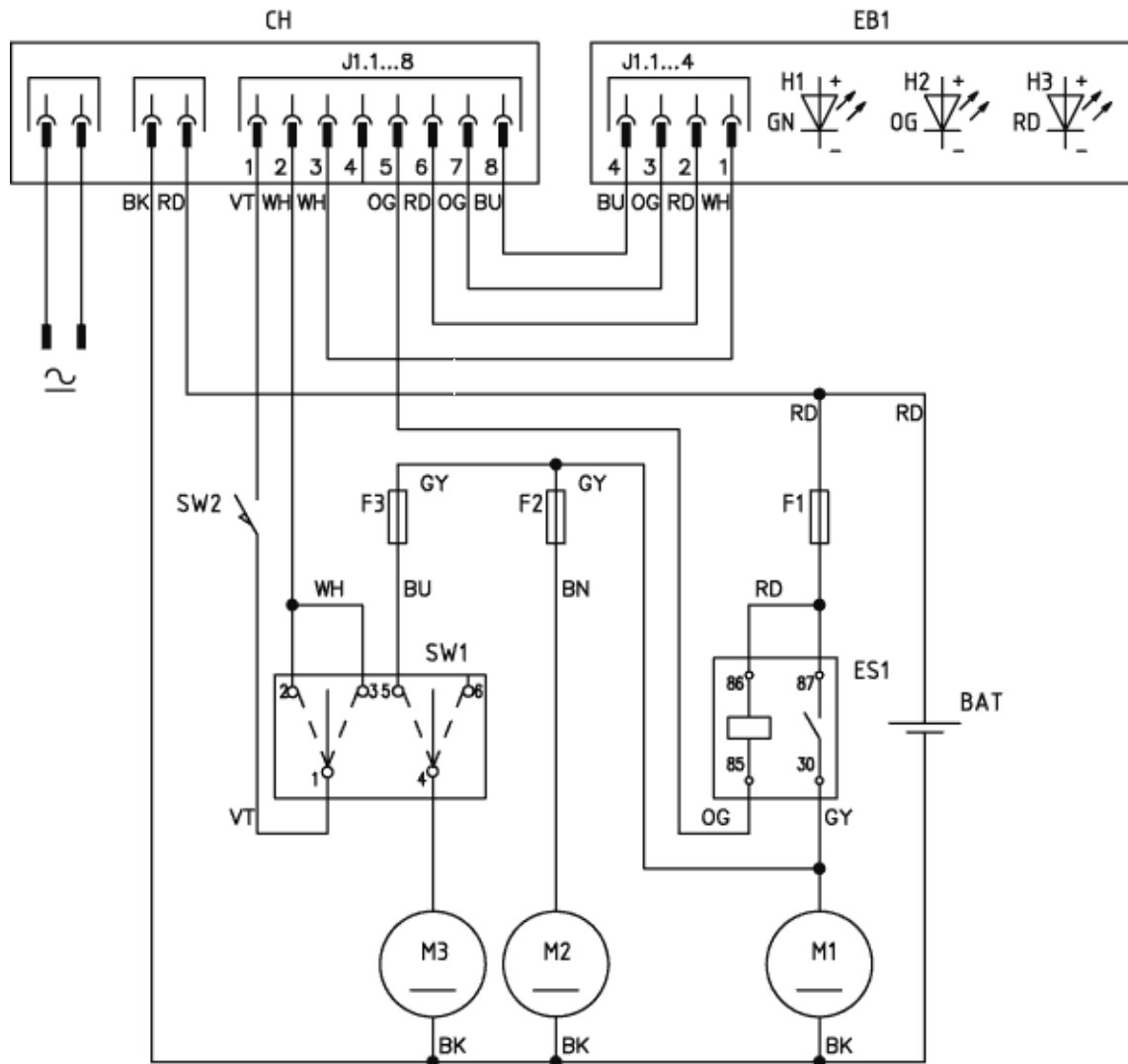
F233126

23

WIRING DIAGRAM

SW 750

146 3089 000 - Rev.B



COMPONENTI		COMPONENTS
BAT	Batteria 12V	12V Battery
CH1	Caricabatterie-controllo funzioni	Batt. charger / Function controller
EB1	Scheda LED	LED board
ES1	Relé	Relais
F1	Fusibile principale	Main circuit breaker
F2	Fusibile ventola	Fan fuse
F3	Fusibile spazzola laterale	Side brush circuit breaker
H1	Led batteria piena carica	Full charge led
H2	Led batteria mezza carica	Half charge led
H3	Led batteria scarica	Empty charge led
M1	Motore principale	Main motor
M2	Ventola aspirazione	Fan
M3	Motore spazzola laterale	Side brush motor
SW1	Interruttore	Switch
SW2	Microinterruttore cofano	Hopper microswitch

LEDNINGSDIAGRAM

SW 750

28-03-2015

StyMiste ID

F-Z33126

24

ANBEFALEDE RESERVEDELE

SW 750

28-03-2015

StyMiste ID

F233127

25

Ingen tegning

ANBEFALEDE RESERVEDELE

SW 750

28-03-2015

StyMiste ID

FZ33127

26

Pos	Vare nr.	Ant	Beskrivelse	
0	145 9679 000	1	Microswitch 16A 250V	EXTRAORDINARY MAINTENANCE
0	146 1804 000	1	Ventilator Vinge	EXTRAORDINARY MAINTENANCE
0	146 3016 000	1	Fejev alse til tæpper/naturf iber	ACCESSORY
0	146 3027 000	1	Rem	WEAR PARTS
0	146 3035 000	1	Sidekost standard	WEAR PARTS
0	146 3036 000	1	Sidekost nylon til tæpper	ACCESSORY
0	146 3051 000	1	Indbygget oplader 12V 6A	EXTRAORDINARY MAINTENANCE
0	146 3090 000	1	CIRCUIT BREAKER 5A	EXTRAORDINARY MAINTENANCE
0	146 3113 000	1	Relæ, 12V 70 A Tyco	EXTRAORDINARY MAINTENANCE
0	146 3123 000	1	Kontrol Panel W/Decal Kit	EXTRAORDINARY MAINTENANCE
0	1463161000	1	Filter poly ester kit	ORDINARY MAINTENANCE
0	1463166000	1	Sideskørt kit, standard	WEAR PARTS
0	1463167000	1	Sværtefrit skørt kit (side, bag, for)	ACCESSORY
0	1463171000	1	Tæppe kit	ACCESSORY
0	1463174000	1	Fejev alse standard	WEAR PARTS
0	1463201000	1	BATTERY CLAMPS POS.-NEG.KIT	ACCESSORY
0	1463255000	1	Sideskørt-sæt	ACCESSORY
0	1463305000	1	Rem	ORDINARY MAINTENANCE
0	1463860000	1	Wheel Black Kit	EXTRAORDINARY MAINTENANCE
0	1464045000	1	Rem-Sæt	ORDINARY MAINTENANCE
0	1464483000	1	Batteri 12V 49A AGM monoblok	EXTRAORDINARY MAINTENANCE
0	1464853000	1	Batteri 12V 87A AGM monoblok	ACCESSORY
0	1465998000	1	MOTOR ELECTRIC 200W 12V PKD	EXTRAORDINARY MAINTENANCE
0	1465999000	1	REDUCTION GEARMOTOR 40W 12V PKD	EXTRAORDINARY MAINTENANCE
0	909 5706 000	1	Sikring 30A	EXTRAORDINARY MAINTENANCE