

CA 331

Model:
CA 331



Part List US-English

27-03-2015

Table of Contents

CA 331

TANKS SYSTEM	3
FRAME UPPER SYSTEM	5
FRAME LOWER SYSTEM	7
TRANSMISSION SYSTEM	9
BRUSHES - SQUEEGEE DECK	11
CONTROL PANEL SYSTEM	13
ACCESSORY - CARPET KIT	15
RECOMMENDED SPARE PARTS	17
SUPPORT ROLLER KIT	19

TANKS SYSTEM

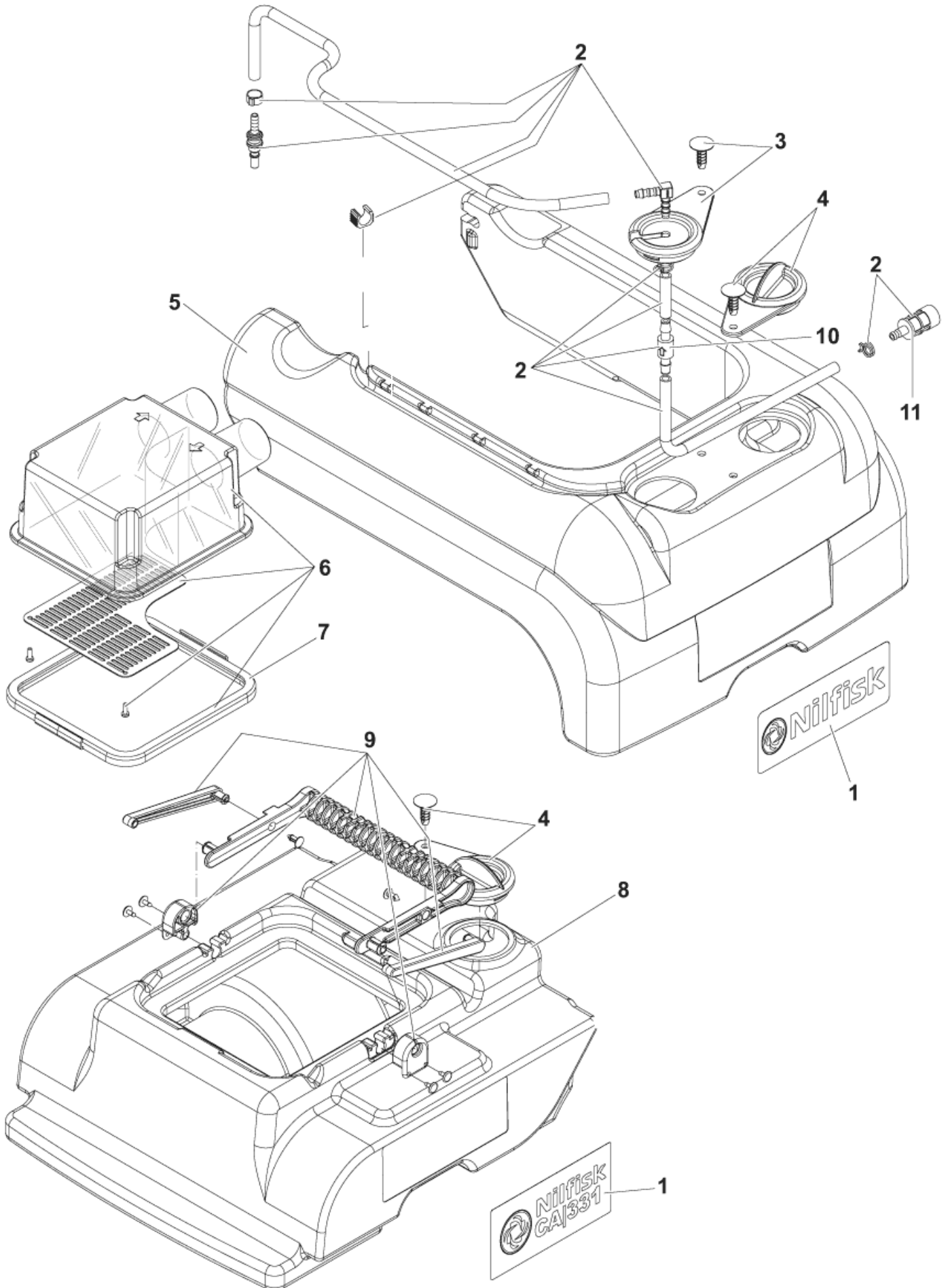
CA 331

27-03-2015

Part List ID

CA33101

3



TANKS SYSTEM

CA 331

27-03-2015

Part List ID
CA33101

4

Pos	Part no.	Qty	Description
1	9097430000	1	DECALS CA 331 KIT
2	9097438000	1	VACUUM SOLUTION KIT
3	9097516000	1	CAP TANK KIT
4	9097515000	2	CAP TANK KIT
5	9097217000	1	TANK SOLUTION
6	9097441000	1	COVER TANK KIT
7	9097236000	1	GASKET TANK COVER
8	9097218000	1	TANK RECOVERY
9	9097591000	1	HANDLE KIT
10	9097277000	1	VALVE ONE-WAY
11	L08603126	1	FILTER SOLUTION

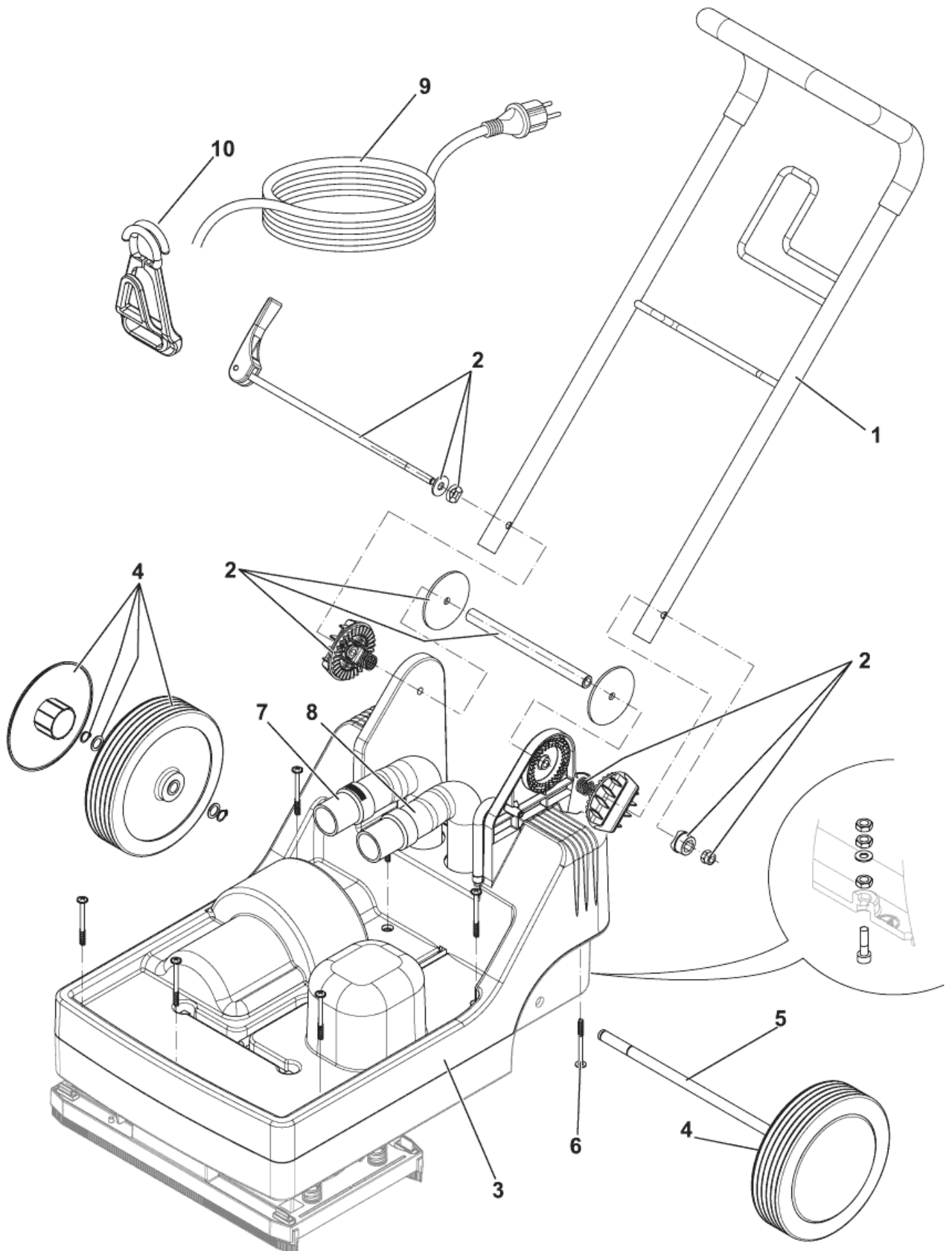
FRAME UPPER SYSTEM

CA 331

27-03-2015

Part List ID CA33102

5



FRAME UPPER SYSTEM

CA 331

27-03-2015

Part List ID

CA33102

6

Pos	Part no.	Qty	Description
1	9097224000	1	HANDLE BAR
2	9097437000	1	FIXING HANDLE BAR KIT
3	9097216000	1	FRAME UPPER
4	9097440000	1	WHEELS KIT
5	9097231000	1	SHAFT WHEELS
6	909 5893 000	8	SCREW 6X60 PAN PHIL W/O BIT F PLASTIC
7	9098030000	1	HOSE VACUUM BLACK L.400MM
8	9097253000	1	HOSE SQUEEGEE VACUUM BLACK
9	9097300000	1	CABLE POWER SUPPLY EU L.15000MM
9	9100001063	1	CABLE POWER SUPPLY US L.15000MM PKD
10	9098047000	1	HOLDER CABLE

FRAME LOWER SYSTEM

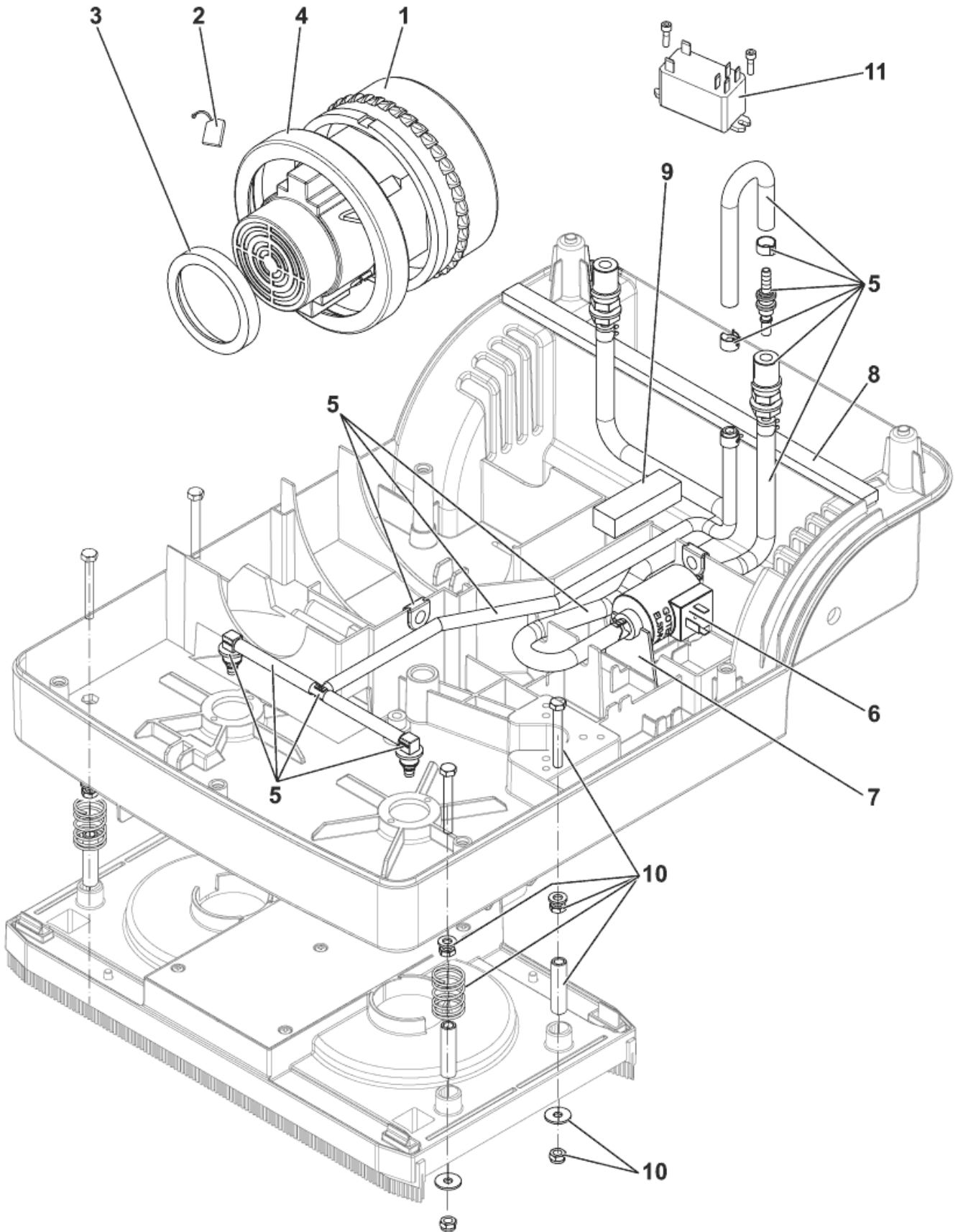
CA 331

27-03-2015

Part List ID

CA33103

7



FRAME LOWER SYSTEM

CA 331

27-03-2015

Part List ID
CA33103

8

Pos	Part no.	Qty	Description	
0	9098372000	1	HARNESS WATER PUMP KIT	FOR KITS 9098370000-9098371000
1	910000677	1	MOTOR VACUUM 100V 550W PKD	FROM S.NO.092300293- TSB IT 2009-028
2	909 5719 000	2	CARBON BRUSH	
3	9097251000	1	GASKET VACUUM MOTOR	
4	9097250000	1	GASKET VACUUM MOTOR	
5	9097493000	1	HOSE SOLUTION KIT	
6	9098207000	1	PUMP WATER 230V 40W	FROM S.NO.094101184- TSB IT 2009-028
6	9098208000	1	PUMP WATER 110 V 45W	FROM S.NO.094101184- TSB IT 2009-028
6	9098370000	1	PUMP WATER EU KIT	BEFORE S.NO.094101184- TSB IT 2009-028
6	9098371000	1	PUMP WATER US JP KIT	BEFORE S.NO.094101184- TSB IT 2009-028
7	9097275000	1	SUPPORT PUMP NYLON	
8	146 0410 000	1	GASKET ADHESIVE 15X10 L.340MM	
9	9097583000	1	GASKET ADHESIVE 20X15 L.65MM	
10	9097431000	1	HARDWARE DECK FIXING KIT	
11	9097864000	1	RELAY 110V 30A	valid only for CA331 9087232020 PRUNED 19.07.2013

POSITION 11 9097864000 VALID FOR THE MODEL CA 331 9087232020 PRUNED ON THE 10.07.2013

POSITION 1 9098194000 VALID FOR THE MODEL CA 331 9087232020 PRUNED ON THE 10.07.2013

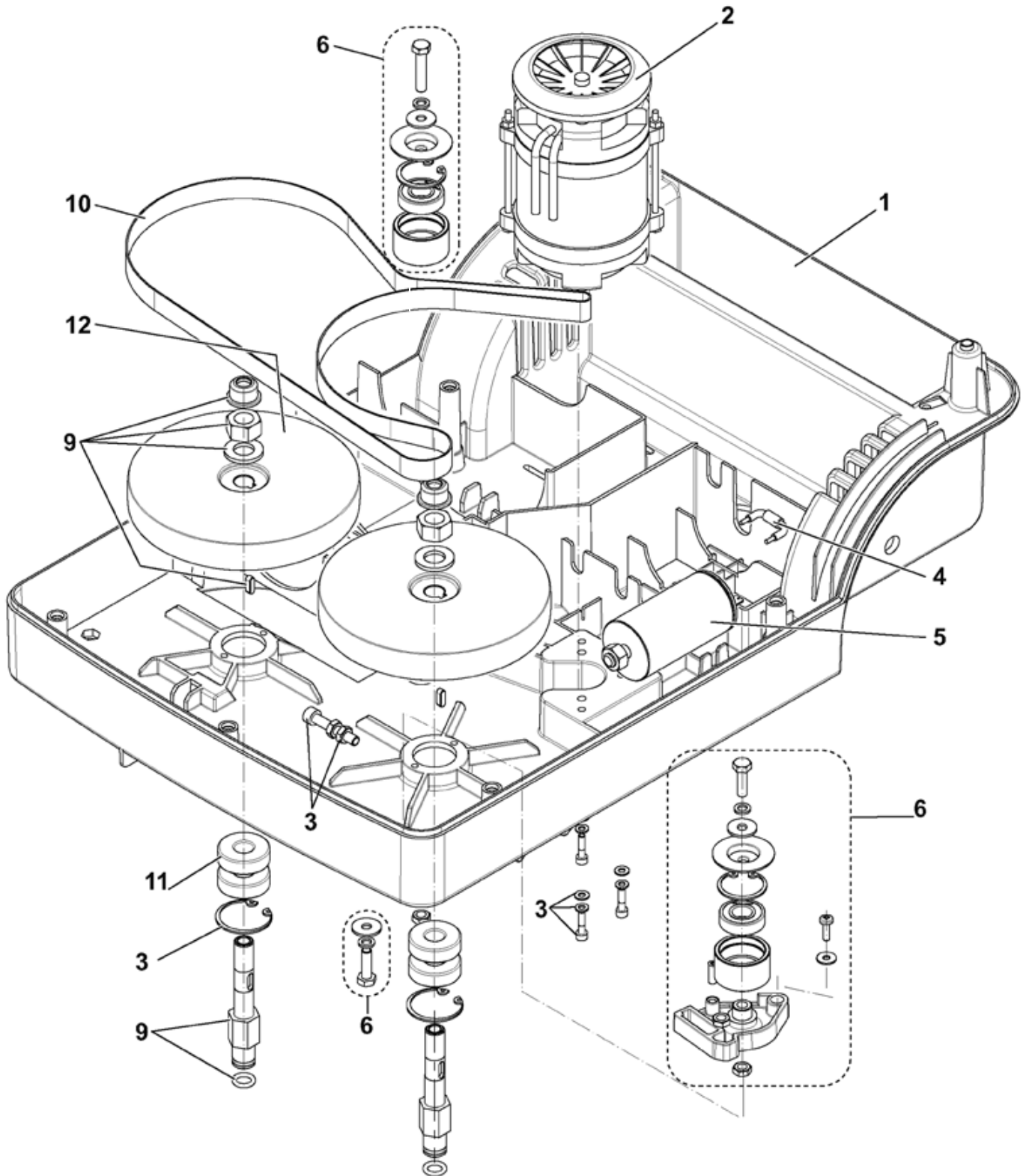
TRANSMISSION SYSTEM

CA 331

27-03-2015

Part List ID
CA33104

9



TRANSMISSION SYSTEM

CA 331

27-03-2015

Part List ID
CA33104

10

Pos	Part no.	Qty	Description
1	9097215000	1	FRAME LOWER
2	910000673	1	MOTOR ELECTRIC 100W 115V PKD specific for machine model 9087232020
3	9097467000	1	HARDWARE TRANSM.SYST. KIT
4	33009099	1	DIODE 1N4007
5	9097280000	1	CAPACITOR 5UF
5	9097506000	1	CAPACITOR 20UF
6	9097436000	1	TENSIONER BELT KIT SEE TSB IT 2011-074
9	9097435000	1	PIN BRUSH KIT
10	9097245000	1	BELT FLAT 1060 MAXIFLEX
11	909 5763 000	4	BEARING BALL 6201 2RS1
12	9097240000	2	PULLEY BRUSH

POSITION 2 9097503000 VALID FOR THE MODEL CA 331 9087232020 PRUNED ON THE 10.07.2013. THE ITEM
9097503000 HAS BEEN REPLACED BY 910000673
POSITION 2 9097244000 HAS BEEN REPLACED BY 910000672

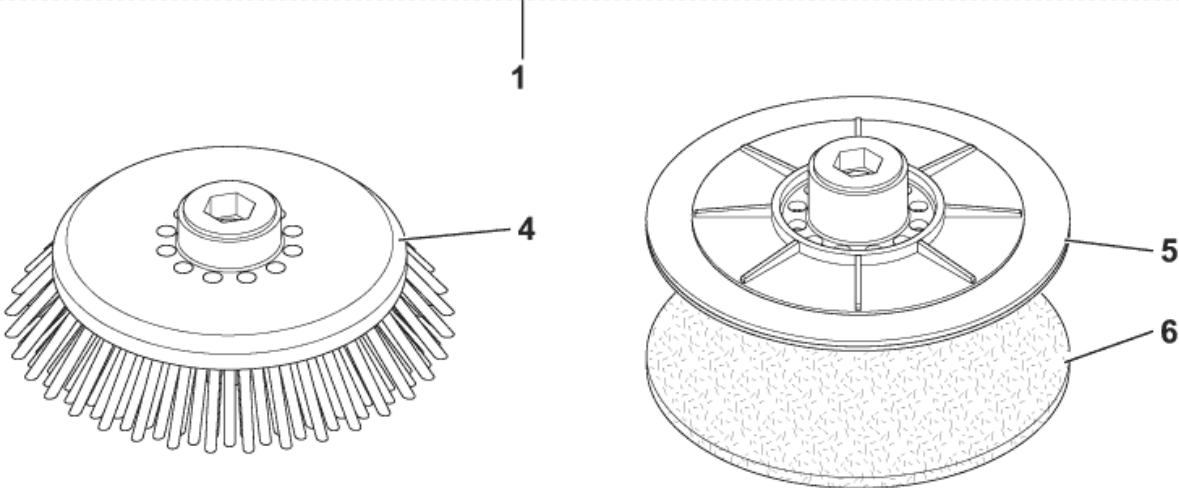
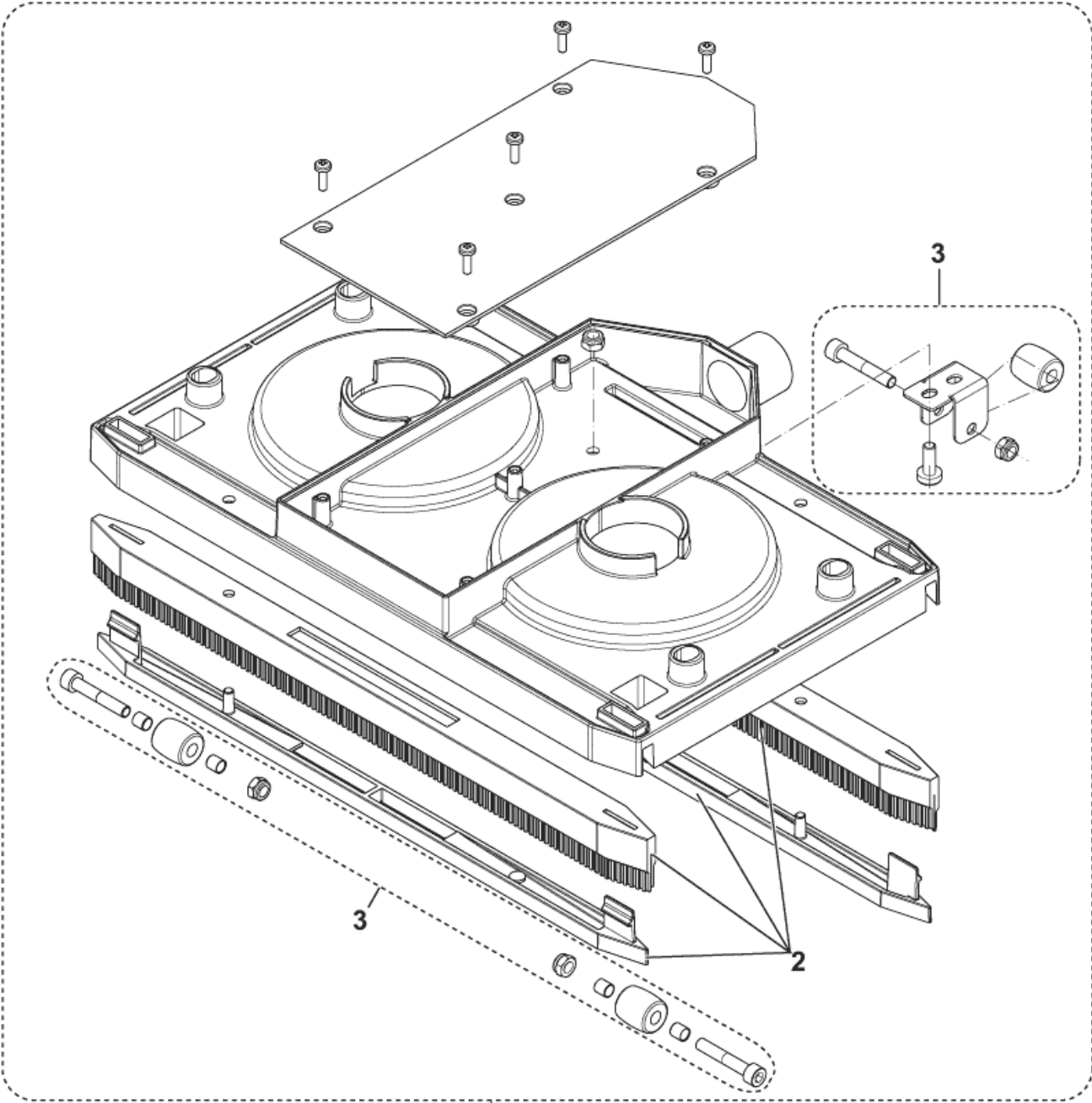
BRUSHES - SQUEEGEE DECK

CA 331

27-03-2015

Part List ID
CA33105

11



BRUSHES - SQUEEGEE DECK

CA 331

27-03-2015

Part List ID
CA33105

12

Pos	Part no.	Qty	Description
1	9097432000	1	DECK BRUSH KIT
2	9097542000	1	BLADE SQUEEGEE 385MM 15 PU KIT
3	9097434000	1	ROLLER DECK KIT
4	9097242000	2	BRUSH DISC 165MM 6.5 PROLITE
4	9097543000	2	BRUSH DISC 165MM 6.5 PROLENE ACCESSORY
5	9097243000	2	PAD HOLDER 6.5 165MM ACCESSORY
6	10001968	1	PAD 6.5 165MM ECO WHITE 10PCS ACCESSORY
6	10001969	1	PAD 6.5 165MM ECO RED 10PCS ACCESSORY
6	72500223	1	PAD 5 PCS 165MM BROWM ACCESSORY

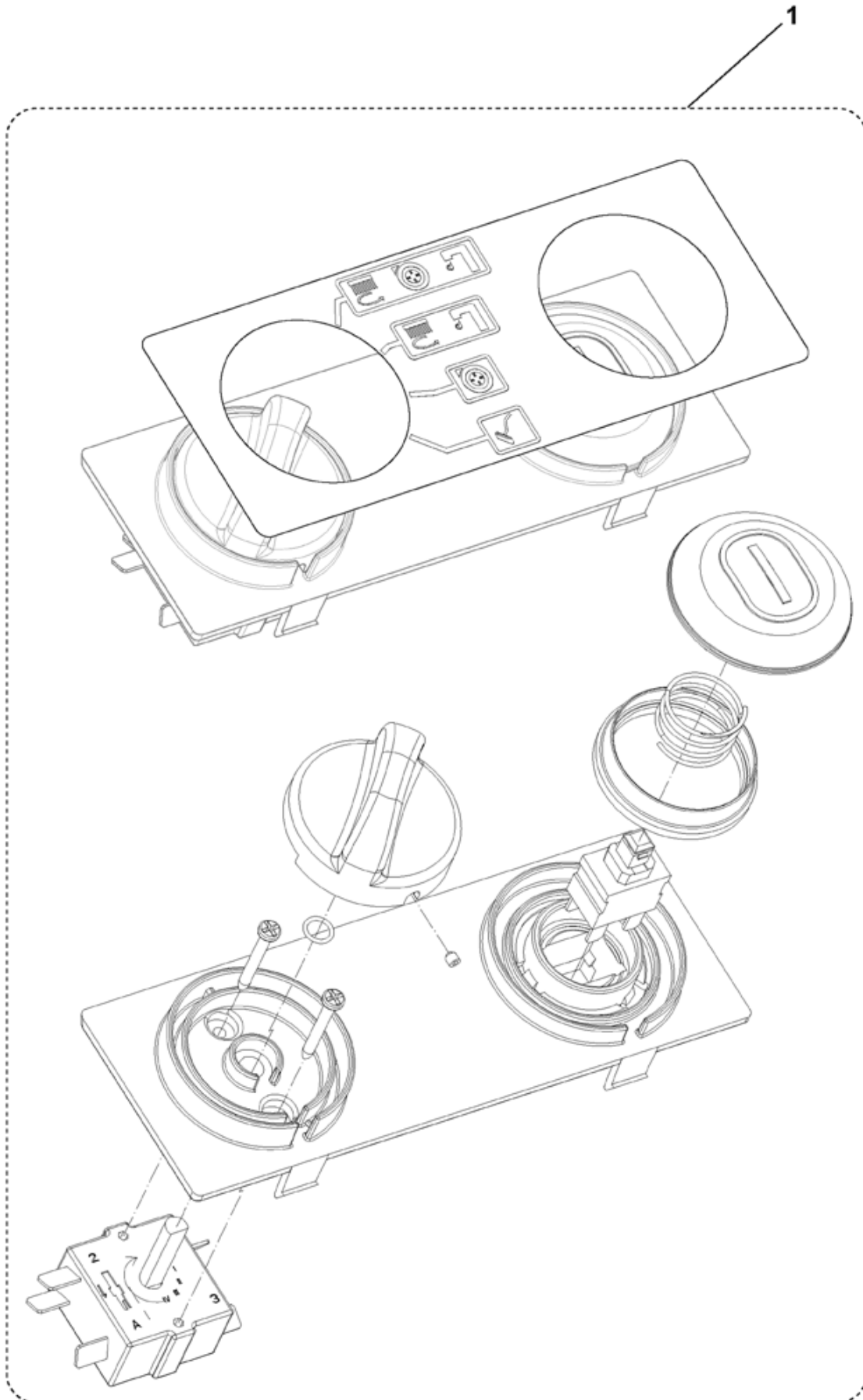
CONTROL PANEL SYSTEM

CA 331

27-03-2015

Part List ID
CA33106

13



CONTROL PANEL SYSTEM

CA 331

27-03-2015

Part List ID
CA33106

14

Pos	Part no.	Qty	Description	
0	9097301000	1	HARNESS MACHINE EU	BEFORE S.NO.094101184- TSB IT 2009-028
0	9097507000	1	HARNESS MACHINE UL	BEFORE S.NO.094101184- TSB IT 2009-028
0	9098209000	1	HARNESS MACHINE EU	AFTER S.NO.094101184- TSB IT 2009-028
0	9098210000	1	HARNESS MACHINE UL	AFTER S.NO.094101184- TSB IT 2009-028 - for model
1	9097439000	1	PANEL CONTROL W/DECAL KIT	INST. INSTR. 9100000560

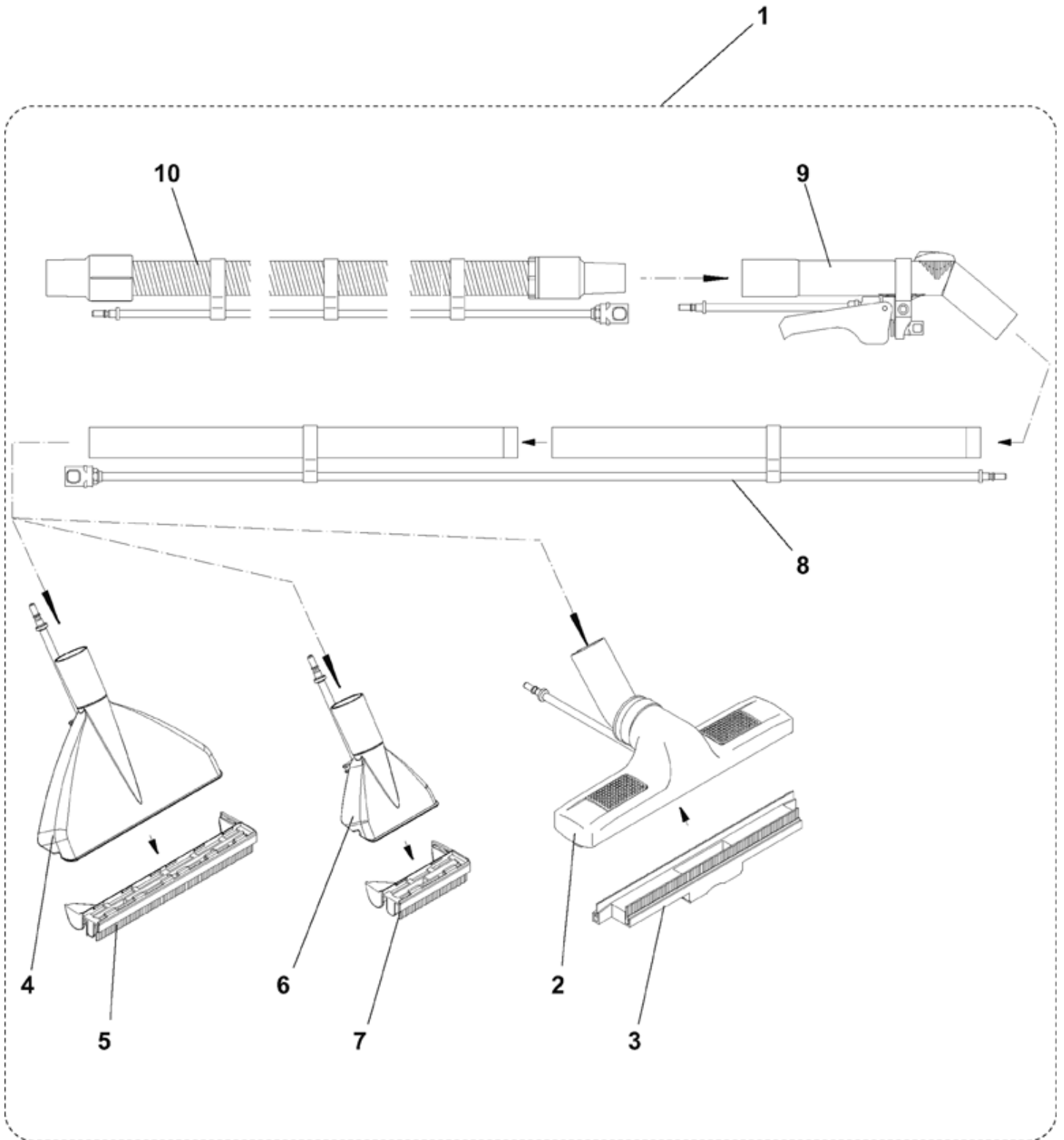
ACCESSORY - CARPET KIT

CA 331

27-03-2015

Part List ID CA33107

15



ACCESSORY - CARPET KIT

CA 331

27-03-2015

Part List ID
CA33107

16

Pos	Part no.	Qty	Description
0	9098304000	1	NOZZLE SPRAY FROM S.NO.094101184AFTER S.NO.094101184- TSB IT 20
1	9097575000	1	CARPET/HARD FLOOR KIT
2	9097566000	1	NOZZLE D13
3	9097567000	1	FRAME RUBBERS D.13
4	9097568000	1	NOZZLE 230 FROM S.NO.094101184AFTER S.NO.094101184- TSB IT 20
5	9097569000	1	FRAME RUBBERS 230MM
6	9097570000	1	NOZZLE 100
7	9097571000	1	FRAME RUBBERS 100MM
8	9097572000	2	EXTENSION HOSE
9	9097573000	1	HANDLE D2
10	9097574000	1	HOSE MT.3

RECOMMENDED SPARE PARTS

CA 331

27-03-2015

Part List ID CA33108

17

No Drawing For Part List

RECOMMENDED SPARE PARTS

CA 331

27-03-2015

Part List ID
CA33108

18

Pos	Part no.	Qty	Description
1	9097242000	2	BRUSH DISC 165MM 6.5 PROLITE
2	9097542000	1	BLADE SQUEEGEE 385MM 15 PU KIT
3	9097251000	1	GASKET VACUUM MOTOR
4	9097591000	1	HANDLE KIT
5	909 5719 000	2	CARBON BRUSH
6	9097245000	1	BELT FLAT 1060 MAXIFLEX
7	L08603126	1	FILTER SOLUTION
8	9098030000	1	HOSE VACUUM BLACK L.400MM
9	9097253000	1	HOSE SQUEEGEE VACUUM BLACK
10	9097434000	1	ROLLER DECK KIT
11	9097439000	1	PANEL CONTROL W/DECAL KIT
13	910000673	1	MOTOR ELECTRIC 100W 115V PKD specific for machine model 9087232020
14	9097280000	1	CAPACITOR 5UF
15	9097506000	1	CAPACITOR 20UF
18	9097277000	1	VALVE ONE-WAY
19	9097250000	1	GASKET VACUUM MOTOR
20	9097440000	1	WHEELS KIT

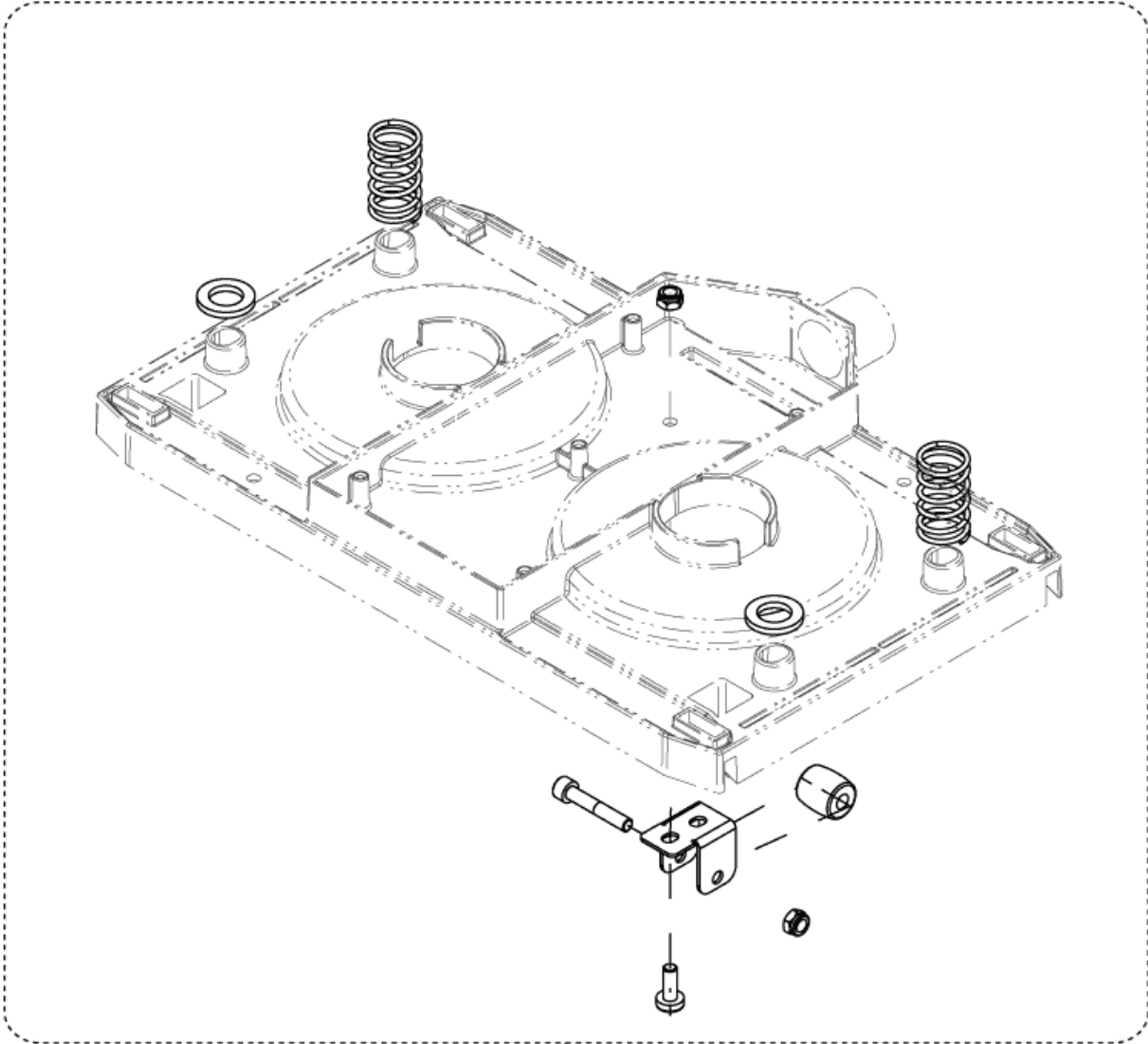
SUPPORT ROLLER KIT

CA 331

27-03-2015

Part List ID CA33109

19



1

SUPPORT ROLLER KIT

CA 331

27-03-2015

Part List ID CA33109

20

Pos	Part no.	Qty	Description	
1	9098211000	1	SUPPORT ROLLER KIT	FROM S.NO.091700016-TSB IT 2009-028