

Nilfisk Extreme

Model:

Nilfisk Extreme Care

Nilfisk Extreme

Complete

Nilfisk Extreme Free

Nilfisk Extreme Free -

Old

Nilfisk Extreme Home

Nilfisk Extreme

Hygienic

Nilfisk Extreme X100

Nilfisk Extreme X110

Nilfisk Extreme X150

Nilfisk Extreme X200

Nilfisk Extreme X210

Nilfisk Extreme X300

Nilfisk Extreme X300C

Nilfisk Extreme XL



Stykliste Dansk

27-03-2015

Nilfisk

www.nilfisk.com

Indholdsfortegnelse

Nilfisk Extreme

Body and body parts	3
Motors, on/off switches and PCBs	6
Cable sets	8
Dust bags and filters	10
Hoses, connections and tubes	12
DYSER	14

Body and body parts

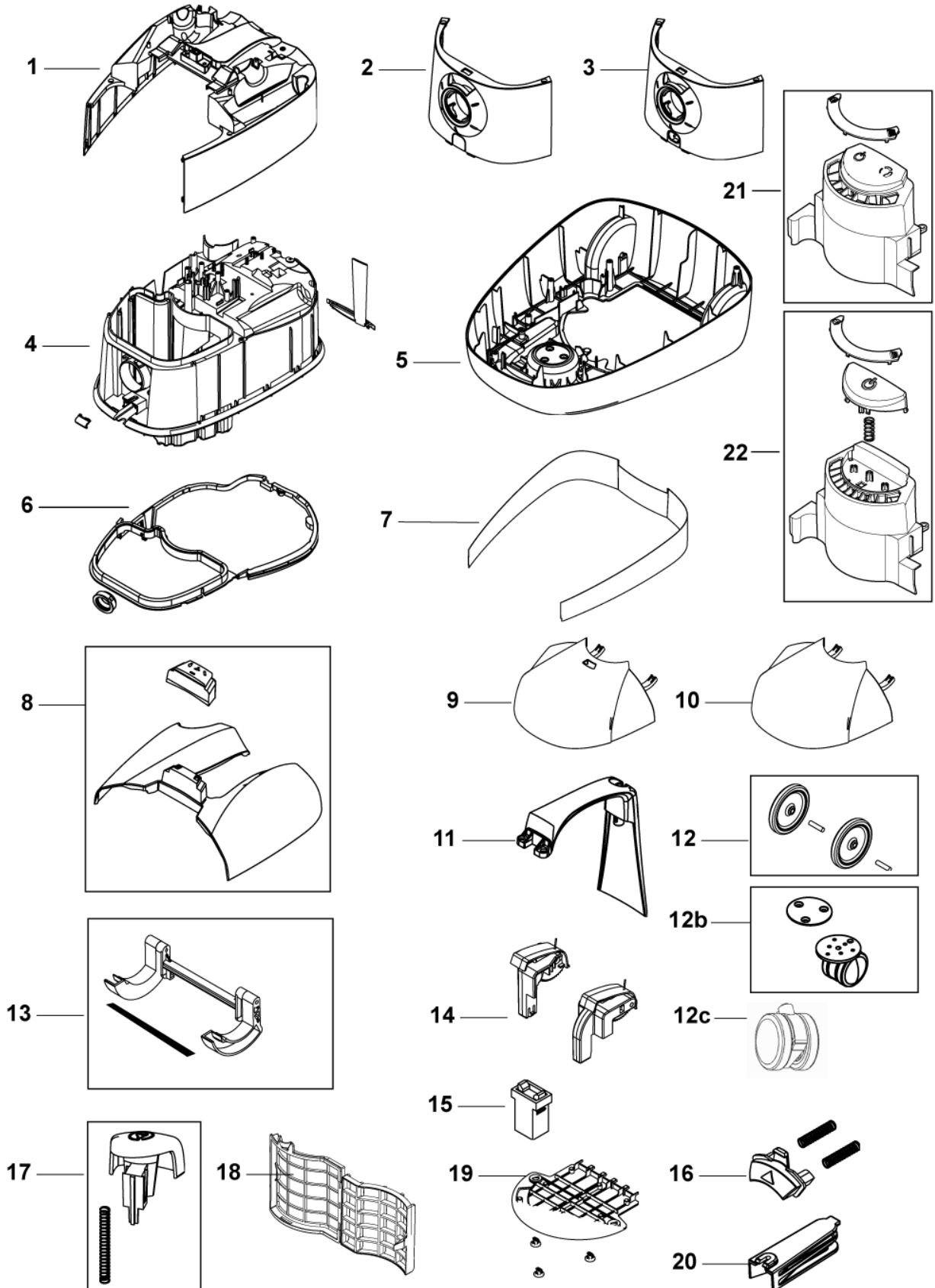
Nilfisk Extreme

27-03-2015

StyMiste ID

A5637

3



Body and body parts

Nilfisk Extreme

27-03-2015

StyMiste ID

A5637

4

Pos	Vare nr.	Ant	Beskrivelse	
1	147 0113 500	1	Beholder, Yder Extreme 100	Colour: Red solid
1	147 0113 510	1	Beholder, Yder Extreme 110	Colour: Blue solid
1	147 0113 530	1	Beholder, Yder Extreme 150	Colour: Silver metallic
1	147 0113 550	1	Beholder, Yder Extreme 200	Colour: Blue metallic
1	147 0113 570	1	Beholder, Yder Extreme 210	Colour: Purple
1	147 0113 580	1	Beholder, Yder Extreme 300	Colour: Champagne metallic
1	147 0113 590	1	Beholder, Yder X210 Green Metal	Colour: Green metallic
1	147 0113 600	1	Beholder, Yder X150 Sienna	Colour: Siena Metallic
1	147 0113 610	1	Beholder, Yder Eco	ECO
1	147 0113 620	1	Main Body Outer Free	Free
2	147 0107 500	1	Dæksel, Front Extreme	Colour: Black
2	147 0107 520	1	Frontlåg Extreme X150 Fp Sølv	Colour: Silver metallic
2	147 0107 530	1	Cover Front Extreme Eco	ECO
2	147 0107 540	1	Cover Front Extreme Free	Free
2	147 0107 550	1	COVER FRONT ICE BLUE	
2	147 0107 560	1	COVER FRONT GREEN METALLIC	
2	147 0107 570	1	COVER FRONT RED	
3	147 0214 500	1	Dæksel, Front Extreme 300	Colour: Black. With outlet
3	147 0214 520	1	Frontcover Power Outl. Extreme	Colour: Champagne metallic. With outlet
4	147 0215 500	1	Beholder, Inderp Extreme	
5	147 0100 500	1	Beholder, Underp. Extreme	
6	147 0570 500	1	Pakningskit Kmp Extreme X100-300	
7	147 0110 500	1	PERSONAL COVER EXTREME	
8	147 0116 510	1	Låg, Tilb. Extreme X100	Colour: Red solid
8	147 0116 520	1	Låg, Tilb. Extreme X110	Colour: Blue solid
8	147 0116 530	1	Låg, Tilb. Extreme X150	Colour: Silver metallic
8	147 0116 540	1	Låg, Tilb. Extreme X200	Colour: Blue metallic
8	147 0116 550	1	Låg, Tilb. Extreme X210	Colour: Purple metallic
8	147 0116 560	1	Låg, Tilb. Extreme X300	Colour: Champagne metallic
8	147 0116 570	1	Tilbehørslåg Extreme 210 Grøn	Colour: Green metallic
8	147 0116 580	1	Lid Acc.F/Extreme X150 Si Ena	Colour: Siena metallic
8	147 0116 610	1	Tilbehørslåg, Extreme Eco	ECO
8	147 0116 620	1	Låg For Extreme Free	Free
9	147 0277 500	1	Støvlåg Kpl. Extreme X100	Colours: Red and Black
9	147 0277 510	1	Støvlåg Kpl. Extreme X110	Colours: Blue and Black
9	147 0277 520	1	Låg For Extreme Eco	ECO
9	147 0277 540	1	DUST LID CPL HEPA PRINT RED	
10	147 0298 500	1	Støvlåg Kpl. Extreme X150 Silver Metalli	Colours: Silver metallic and Black
10	147 0298 510	1	Støvlåg Kpl. Extreme X200 Ice Blue Metal	Colours: Blue metallic and Black
10	147 0298 520	1	Støvlåg Kpl. Extreme X210 Purple Metalli	Colours: Purple metallic and Black
10	147 0298 530	1	Støvlåg Kpl. Extreme X300 Champagne Meta	Colours: Champagne metallic and Black
10	147 0298 540	1	Dust Lid X210 Green Metal	Colours: Green metallic and Black

Body and body parts

Nilfisk Extreme

27-03-2015

StyMiste ID

A5637

5

Pos	Vare nr.	Ant	Beskrivelse	
10	147 0298 570	1	Støvlåg Kpl. Extreme X150	Colour:s Siena metallic and Black
10	147 0298 580	1	Støvlåg Kpl. X150 Sølv	Colour: Silver metallic
10	147 0298 590	1	Støvlåg Kpl Extreme X300 Fp	Colour: Champagne metallic
10	147 0298 600	1	Låg For Extreme Free	Free
10	147 0298 610	1	DUST LID CPL.HEPA STAR SILVER	
10	147 0298 620	1	DUST LID CPL.HEPA ICE BLUE	
10	147 0298 630	1	DUST LID CPL.HEPA GREEN METAL.	
10	147 0298 640	1	DUST LID CPL.HEPA BLUE ODISSA	
10	147 0298 650	1	DUST LID CPL.HEPA CHAMPAGNE	
11	147 0212 500	1	Håndtag Kpl. Extreme	
12	147 0242 500	1	Hjulkit Incl. Extreme	
13	147 0264 500	1	Hængsel, Støvlåg Extreme	
14	147 0274 500	1	Hængselkit Extreme	
15	147 0184 500	1	Lås, Tilb.Låg Extreme	
16	147 0108 500	1	Knap, Støvlåg Extreme	
17	147 0117 500	1	Knap, Led.Opr. Extreme	
18	147 1187 500	1	Holder Prefilter Kit	
19	147 0101 500	1	Låg,Hepa Extreme X100-300	
20	147 0208 500	1	Parkeringsplade Extreme	
21	107402476	1	X150/X200 Panel Replaceme Nt	
22	107402477	1	X300 Panel Replacement Kit	
12B	147 1040 500	1	Drejehjul Kit Extreme	includes 3 screws
12C	147 1040 510	1	Drejehjul U/Aksel	

Motors, on/off switches and PCBs

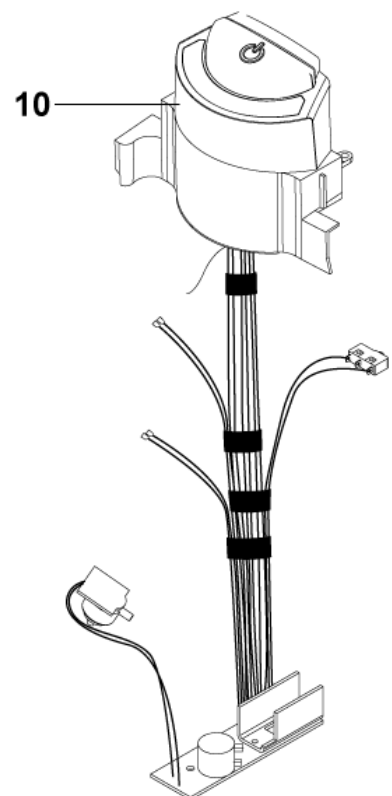
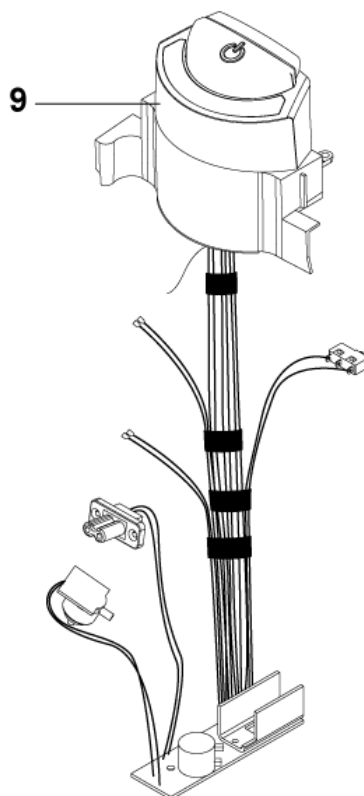
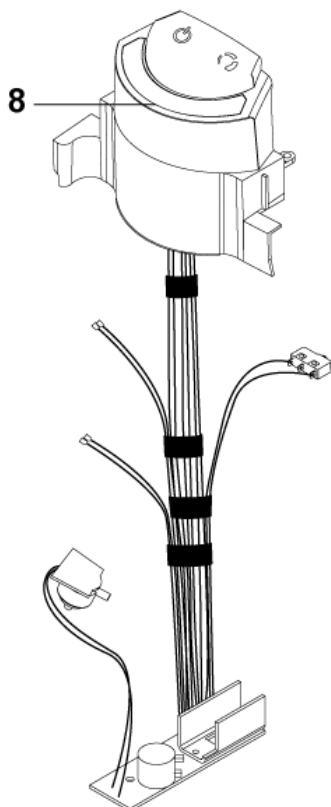
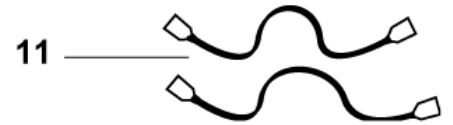
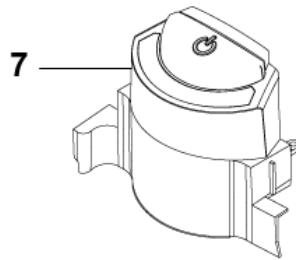
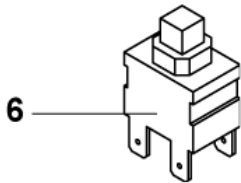
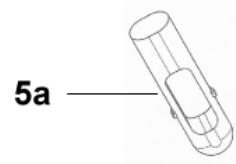
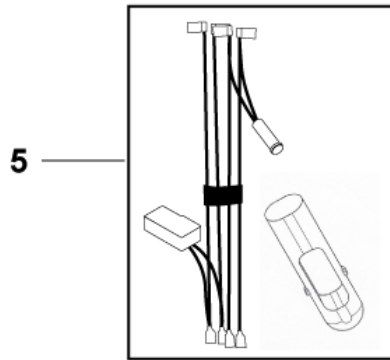
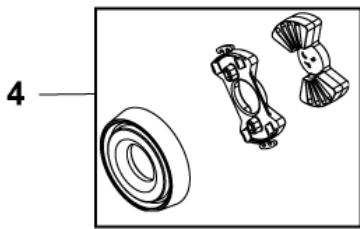
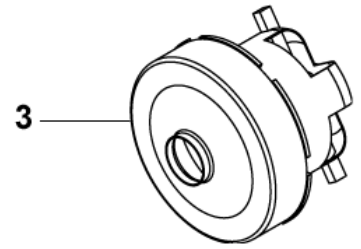
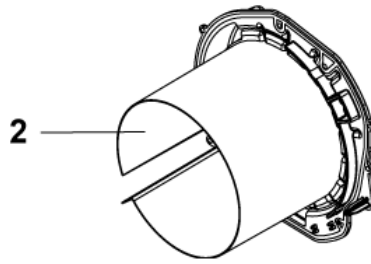
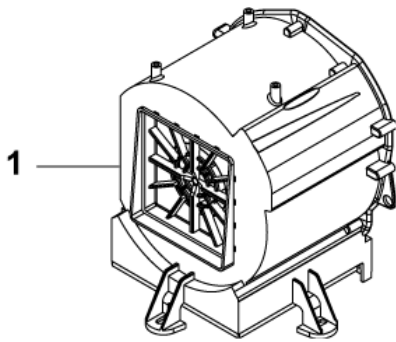
27-03-2015

StyMiste ID

A5633

Nilfisk Extreme

6



Motors, on/off switches and PCBs

Nilfisk Extreme

27-03-2015

StyMiste ID

A5633

7

Pos	Vare nr.	Ant	Beskrivelse
1	147 0250 500	1	Motor Module Extreme
2	147 0251 500	1	MOTOR MODULE LID EXTREME
3	147 0567 500	1	Motor Extreme 220-240V 1600 W 50-60Hz
3	147 0568 500	1	Motor Extreme 220-240V 1200 W 50-60Hz
4	147 0560 500	1	Motor Suspension Kit
5	147 0554 500	1	Ledningskit, On/Off Extreme X100-110
6	140 8096 500	1	Kontakt Kit GD2000
7	147 0120 500	1	Display Basic On/Off Extreme X100-110
8	147 0280 500	1	EI-Unit Extreme X150-210
8	147 0280 510	1	EL.MEDIUM X150-210 110-120V
9	147 0281 500	1	EI-Unit Extreme X300
9	147 0281 510	1	EL.PREMIUM X300 110-120V
10	107402064	1	EI. Premium Free 220-240V Free
11	140 7040 500	1	INTERNAL WIRE F MOTOR HOUSING
11		1	INTERNAL WIRE FOR MOTOR HOUSING is UL and CSA approved
5A	147 0236 500	1	Trigger Parking Switch

Cable sets

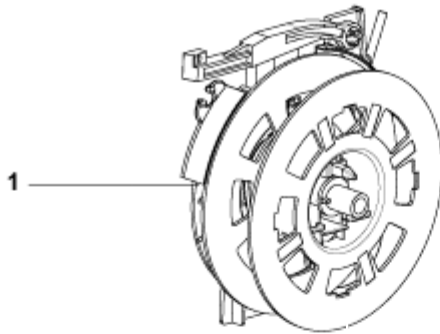
Nilfisk Extreme

27-03-2015

StyMiste ID

A5635

8



Cable with plug/socket for bracket			
	Voltage	Plug type	
EU	220-240		
UK	220-240		
AUS/NZ	220-240		
CH	220-240		
USA/CAN	110-120		



Cable sets

Nilfisk Extreme

27-03-2015

StyMiste ID

A5635

9

Pos	Vare nr.	Ant	Beskrivelse	
1	147 0171 550	1	Ledningsoprul 7 M. Extreme	L=7 M
1	147 0171 560	1	CABLE REW EXTREME UK	L=7 M
1	147 0171 570	1	CABLE REW EXTREME AU/NZ	
1	147 0171 590	1	CABLE REW EXTREME CH	L=7 M
1	147 0182 550	1	Ledningsoprul 8,5 M Extreme	L=8,5 M
1	147 0182 560	1	CABLE REW EXTREME UK	L=8,5 M
1	147 0182 570	1	CABLE REW EXTREME AU/NZ	L=8,5 M
1	147 0182 590	1	CABLE REW EXTREME CH	L=8,5 M Machine outphased 2010
2	147 1144 000	1	SUPPORT BOX EXTREME	
2	147 1145 000	1	SUPPORT WHEEL BOX EXTREME	
2	147 1146 000	1	TOP TRAY BOX EXTREME	
2	147 1147 020	1	BOX ECO	
2	147 1147 530	1	CARDBOARD BOX EXTREME	
3	147 0553 520	1	CUT THROUGH MODEL EXTREME X200	
4	147 0578 520	1	BOX LABEL X100	
4	147 0578 530	1	BOX LABEL X110	
4	147 0578 550	1	BOX LABEL X200	
4	147 0578 590	1	BOX LABEL X210	
4	147 0578 620	1	BOX LABEL X100 WITH BONUS NOZZ	
4	147 0578 630	1	BOX LABEL X150XL	
4	147 0578 650	1	BOX LABEL X300	
4	147 0578 660	1	BOX LABEL X300C	
4	147 0578 670	1	BOX LABEL X150	
4	147 0578 680	1	BOX LABEL X150 PARQUET	
4	147 0578 690	1	BOX LABEL X150 SPIRIT	
4	147 0578 700	1	BOX LABEL EXTREME ECO	ECO

Dust bags and filters

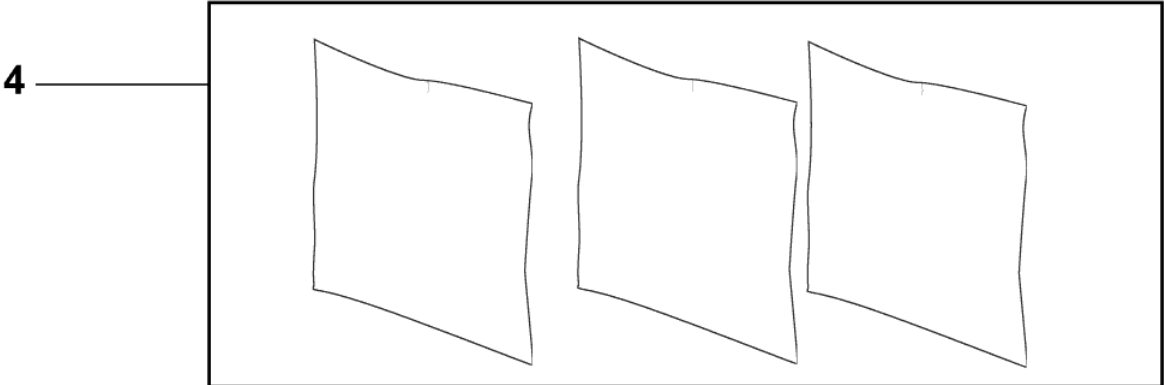
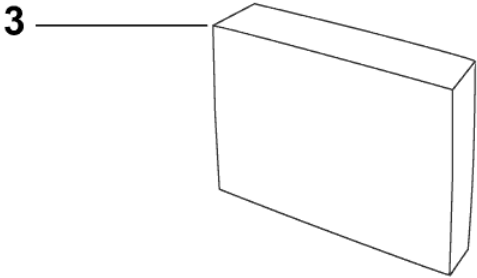
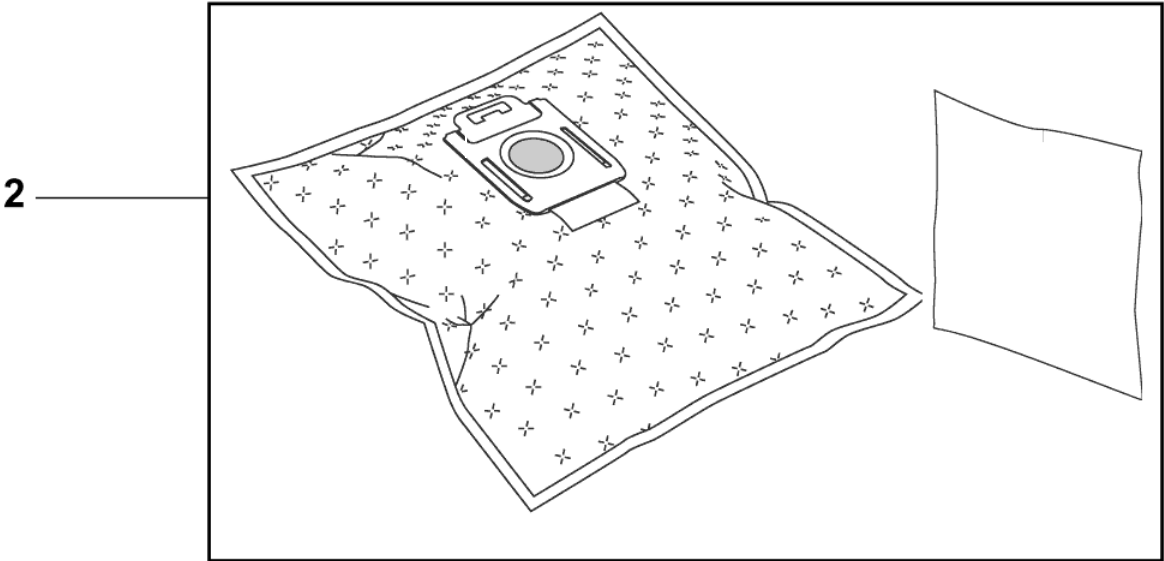
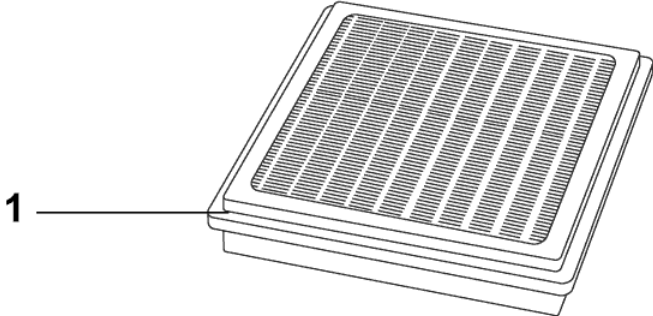
Nilfisk Extreme

27-03-2015

StyMiste ID

A5639

10



Dust bags and filters

Nilfisk Extreme

27-03-2015

StyMiste ID

A5639

11

Pos	Vare nr.	Ant	Beskrivelse	
0	107403113	1	Nilfisk Extreme Start Kit	Includes pos.1 and 2 x pos.2
1	147 0180 500	1	HEPA H14 filter	
2	147 0286 500	1	Filterposer (4 stk.) + forfilter (1 stk)	4 Dust bags and 1 pre filter
3	147 0159 500	1	Aktivt kulfilter	
4	147 0157 500	1	Forfilter (3 stk.)	

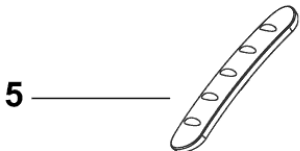
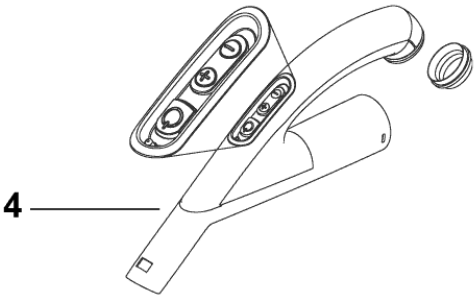
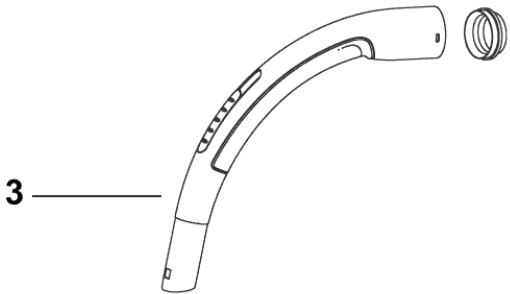
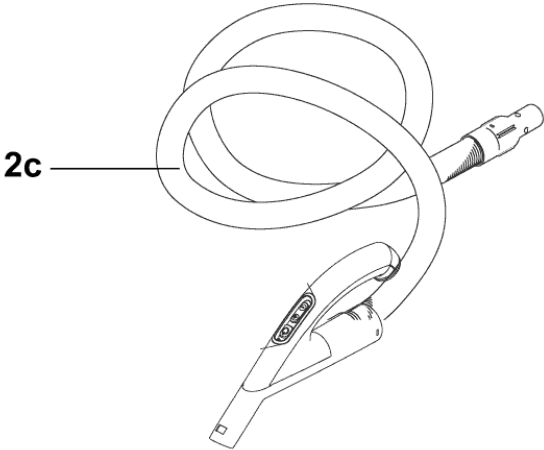
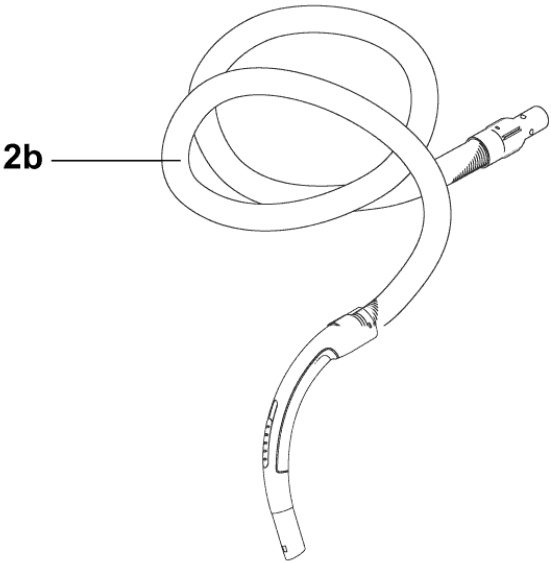
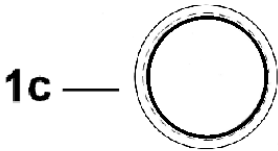
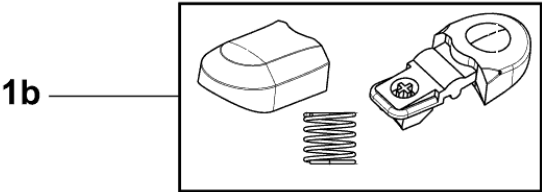
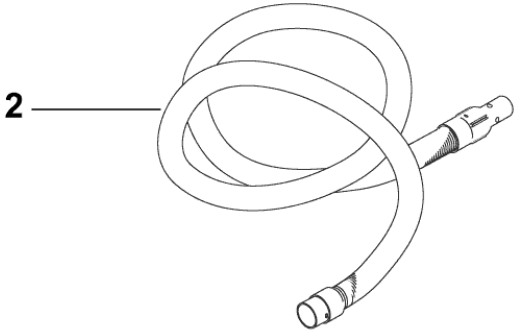
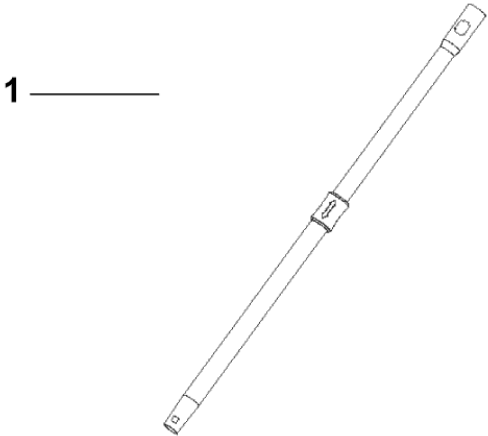
Hoses, connections and tubes

Nilfisk Extreme

27-03-2015

StyMiste ID A56311

12



Hoses, connections and tubes

Nilfisk Extreme

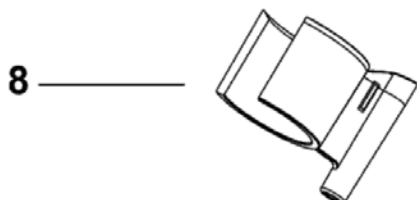
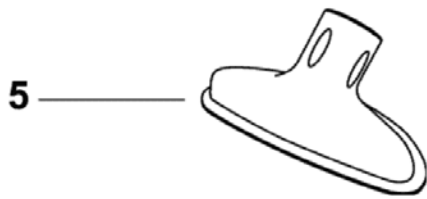
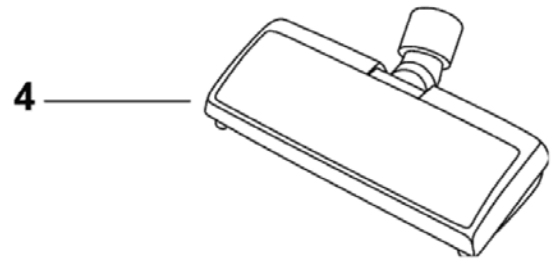
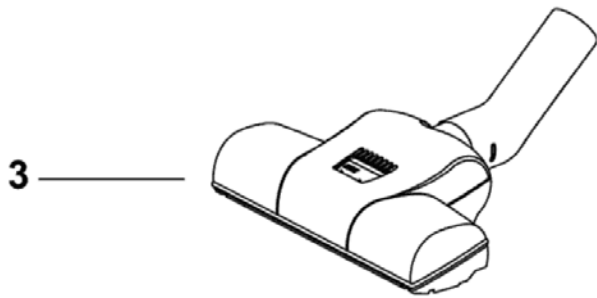
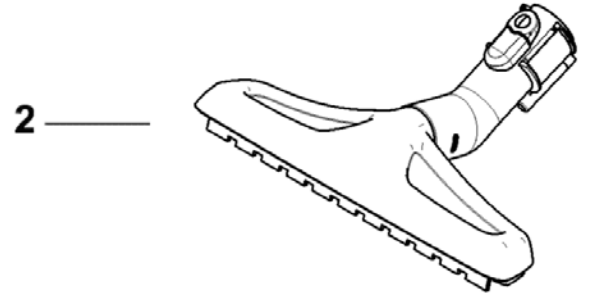
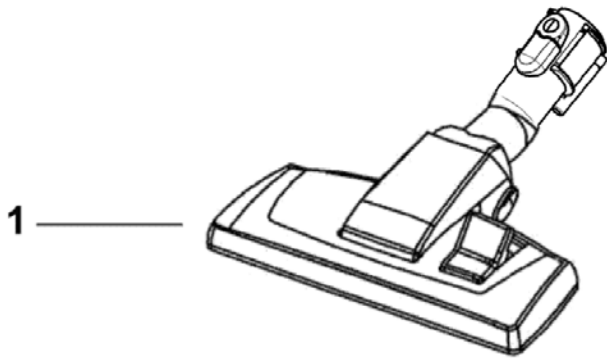
27-03-2015

StyMiste ID

A56311

13

Pos	Vare nr.	Ant	Beskrivelse
1	147 0284 500	1	Teleskoprør, krom, Extreme
1	147 0284 510	1	Teleskoprør, Extreme Alu
1	147 0284 520	1	Teleskoprør børstet stål
2	147 0285 500	1	Slange Extreme Sort
2	147 0285 510	1	Sugeslange metalgrå
3	147 0243 520	1	Rørbøjning, manuel Ø32
4	147 0123 530	1	Rørbøjning med Remote Ø32
5	147 0152 500	1	Ventil, Buetrør Extreme
1B	147 0265 500	1	Button And Cover Cl.Kit
1C	010 9299 540	1	Pakning Til Kobling GD930
2B	147 0283 500	1	Sugeslange komplet sort Ø32
2B	147 0283 510	1	Sugeslange komplet metalgrå Ø32
2C	147 0577 510	1	Slange med Remote Ø32
2C	147 0577 520	1	Slange med Remote metalgrå Ø32



DYSER

Nilfisk Extreme

27-03-2015

StyMiste ID
A56313

15

Pos	Vare nr.	Ant	Beskrivelse
1	140 8492 550	1	Kombimundstykke
2	147 0247 500	1	Parketmundstykke
3	22360000	1	Mundstykke, Turbo 32Mm Sort
4	12010100	1	Elektromundstykke
5	147 0299 500	1	Polstermundstykke
6	147 0300 500	1	Mundstykke, Trek. Extreme
7	147 0146 500	1	Fugemundstykke 153 mm Ø32
8	12018201	1	Parkeringsklips grey
8	147 0585 500	1	Parkerings Clips, Sort black