

# PARTS LIST

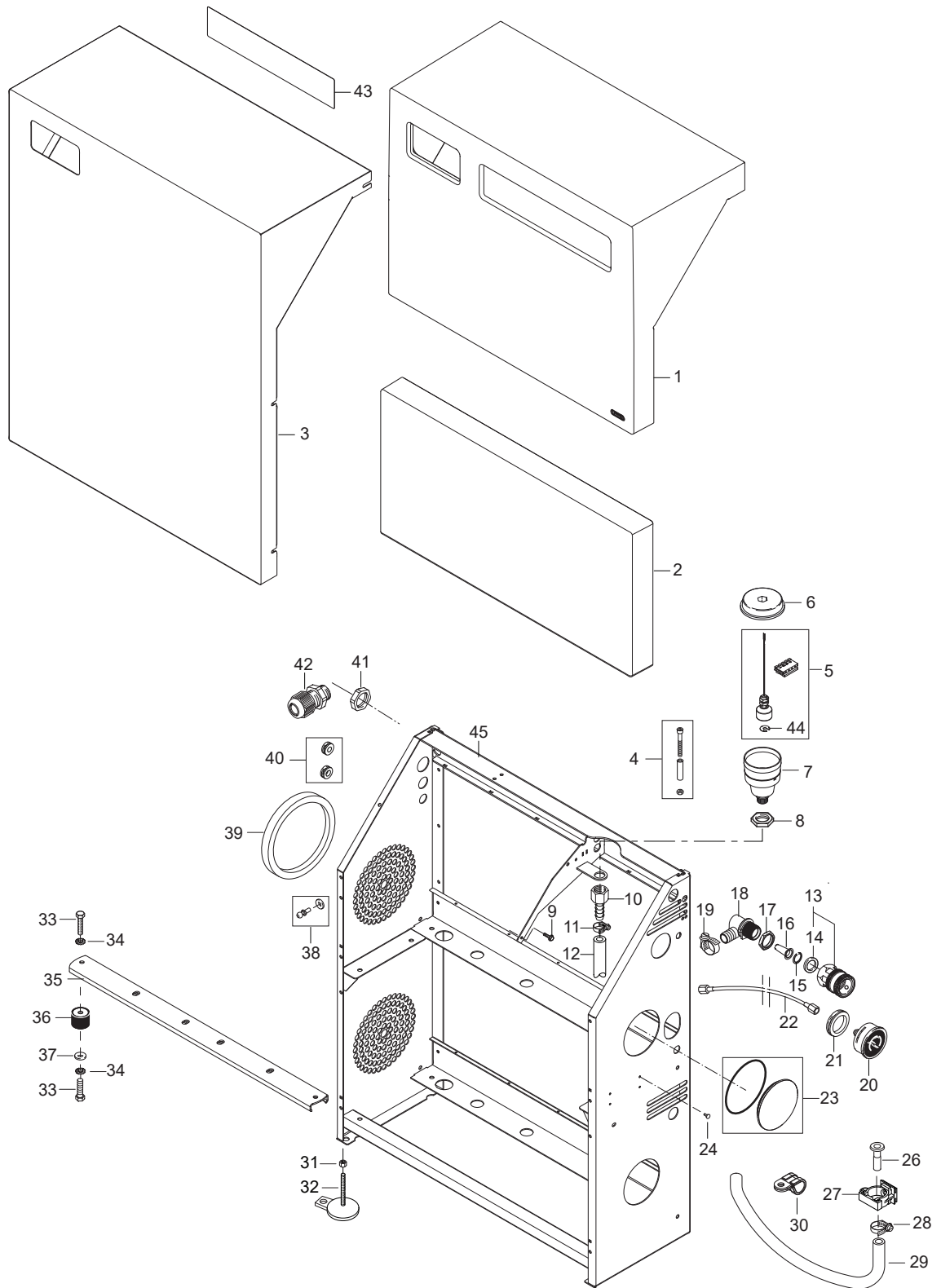


2017.05.29

# TABLE OF CONTENTS

---

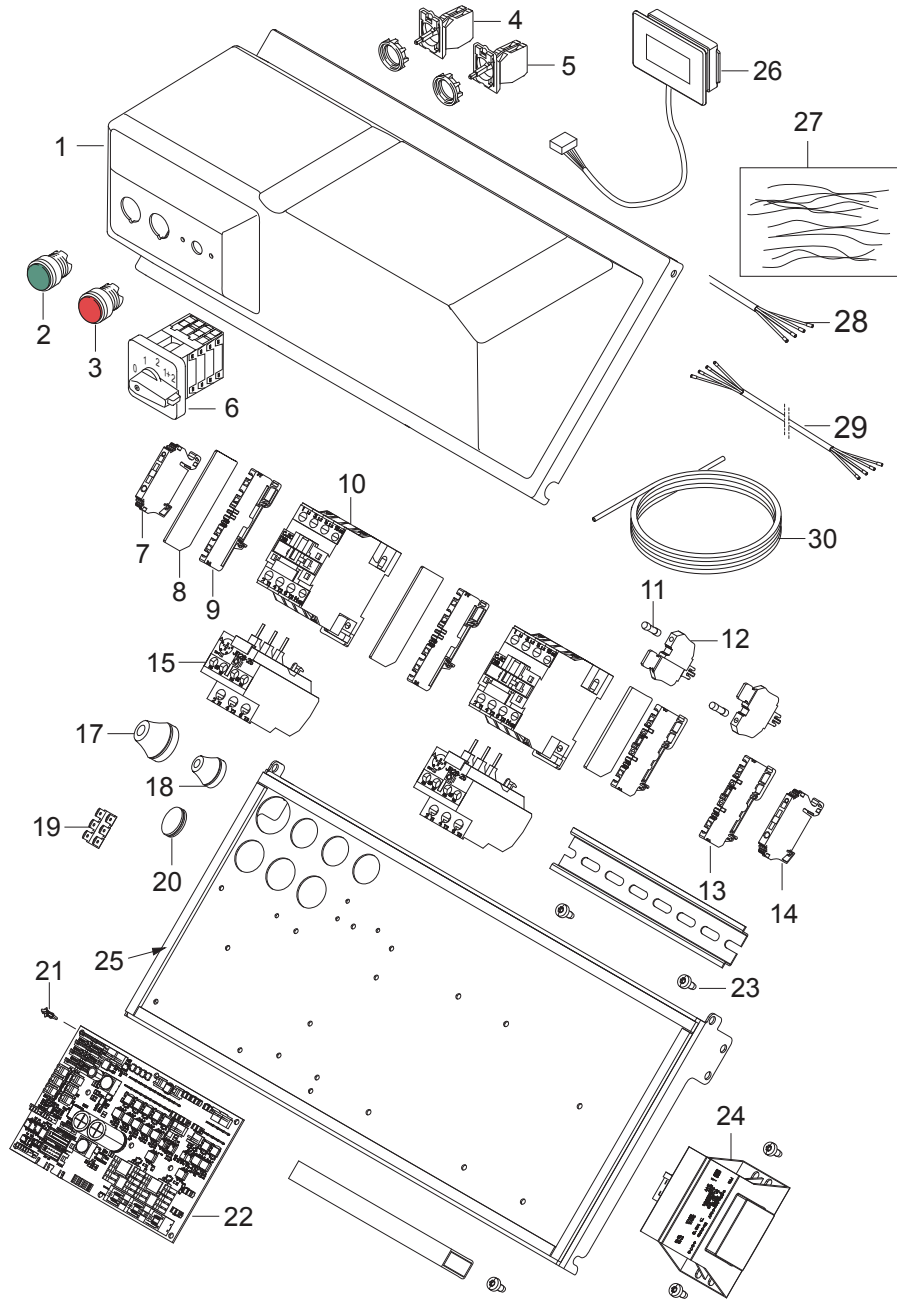
|                            |    |
|----------------------------|----|
| Overview_DUO.....          | 1  |
| Electric box_DUO.....      | 3  |
| UPPER Motor.....           | 5  |
| LOWER Motor.....           | 7  |
| Water break tank.....      | 9  |
| Cylinder head.....         | 11 |
| UPPER Unloader PA.....     | 13 |
| LOWER unloader PA.....     | 15 |
| Default accessories.....   | 17 |
| 2x detergent.....          | 19 |
| Coin box.....              | 21 |
| Water inlet security.....  | 23 |
| Low water cutoff.....      | 25 |
| Pressure relief.....       | 27 |
| Accessory Storage Kit..... | 29 |



| Pos. | Vare-nr   | Antal | Beskrivelse                         | Notes |
|------|-----------|-------|-------------------------------------|-------|
| 1    | 107307349 | 1     | CABINET EPP                         |       |
| 2    | 107307350 | 1     | CABINET EPP DUO                     |       |
| 3    | 107307353 | 1     | CABINET SS. DUO                     |       |
| 4    | 101118162 | 1     | SCREW KIT FOR CABINET EPP UNO/DUO   |       |
| 5    | 101118173 | 1     | OIL SENSOR W/PLUG KIT               | [1]   |
| 6    | 301000615 | 1     | Dæksel                              |       |
| 7    | 301000614 | 1     | Oliebeholder                        |       |
| 8    | 101609356 | 1     | NUT 1/2IN                           |       |
| 9    | 106268067 | 4     | SCREW KIT                           |       |
| 10   | 107307313 | 1     | HOSESTUD D10X3/8                    |       |
| 11   | 1805100   | 1     | Spændebånd 8-20 Mm                  |       |
| 12   | 106408242 | 1     | HOSE 5/8INCH - 2 METERS             |       |
| 13   | 1602945   | 1     | KEW kobling, indiv. gevind 3/4"     |       |
| 14   | 3001237   | 1     | Pakning Ø24,5XØ16X3                 |       |
| 15   | 107141667 | 1     | LOCK WASHER                         |       |
| 16   | 101117926 | 1     | Filter                              |       |
| 17   | 1800341   | 1     | "Kontramøtrik 3/4"" "               |       |
| 18   | 107141669 | 1     | WATER INLET PIPE C3                 |       |
| 19   | 8298      | 1     | Spændebånd                          |       |
| 20   | 107141648 | 1     | MANOMETER 0-300 BAR - 1/4"          |       |
| 21   | 103004331 | 1     | SLEEVE PVC 45/ 60                   |       |
| 22   | 107307316 | 1     | MANOMETER HOSE DN2. COMPLETE        |       |
| 23   | 101118165 | 2     | PLUG + O-RING KIT FOR FRAME UNO/DUO |       |
| 24   | 107307314 | 1     | SNAP RIVET D12/D6                   |       |
| 26   | 107307339 | 1     | PLUG D 12.7MM PLASTIC               |       |
| 27   | 107307338 | 1     | PIPE CLIP D20 BR220-5 PA            |       |
| 28   | 1805100   | 1     | Spændebånd 8-20 Mm                  |       |
| 29   | 5206065   | 1     | "Trykluftslange 1/2"" "             |       |
| 30   | 101117718 | 1     | CLAMP FOR PIPE                      |       |
| 31   | 1810068   | 8     | NUT M12                             |       |
| 32   | 104601172 | 4     | Supporting Block Ø60 M12X 70        |       |
| 33   | 107307299 | 14    | SCREW HEX M8X14 A2 ISO 4017         | [2]   |
| 34   | 1810274   | 16    | Stjerneskiye M8                     |       |
| 35   | 107307311 | 1     | PROFIL M/P                          |       |
| 35   | 107307312 | 1     | PROFIL M/P SS                       |       |
| 36   | 107307309 | 4     | GUMMI METAL BUFFER D30X30           |       |
| 37   | 1802917   | 4     | Plan Skive M8 Rf                    |       |
| 38   | 101118164 | 1     | PINS KIT FOR CABINET EPP UNO/DUO    |       |
| 39   | 107307310 | 1     | SEALING FOR MOTOR                   |       |
| 40   | 101118163 | 1     | BLANKING PLUGS KIT FOR FRAME UNO/DU |       |
| 41   | 909100021 | 1     | HEXAGON NUT M32X1.5                 |       |
| 42   | 103821837 | 1     | CABLE BUSHING M32X1.5               |       |
| 43   | 107307362 | 1     | FRONTLABEL SC DUO                   |       |
| 43   | 107307374 | 1     | FRONTLABEL UNITOR HPC STATIONARY 2P |       |
| 44   | 107142593 | 1     | HOLDING WASHER PE                   | [3]   |
| 45   | 107307377 | 1     | FRAME PAINTED DUO                   |       |

## Part Notes:

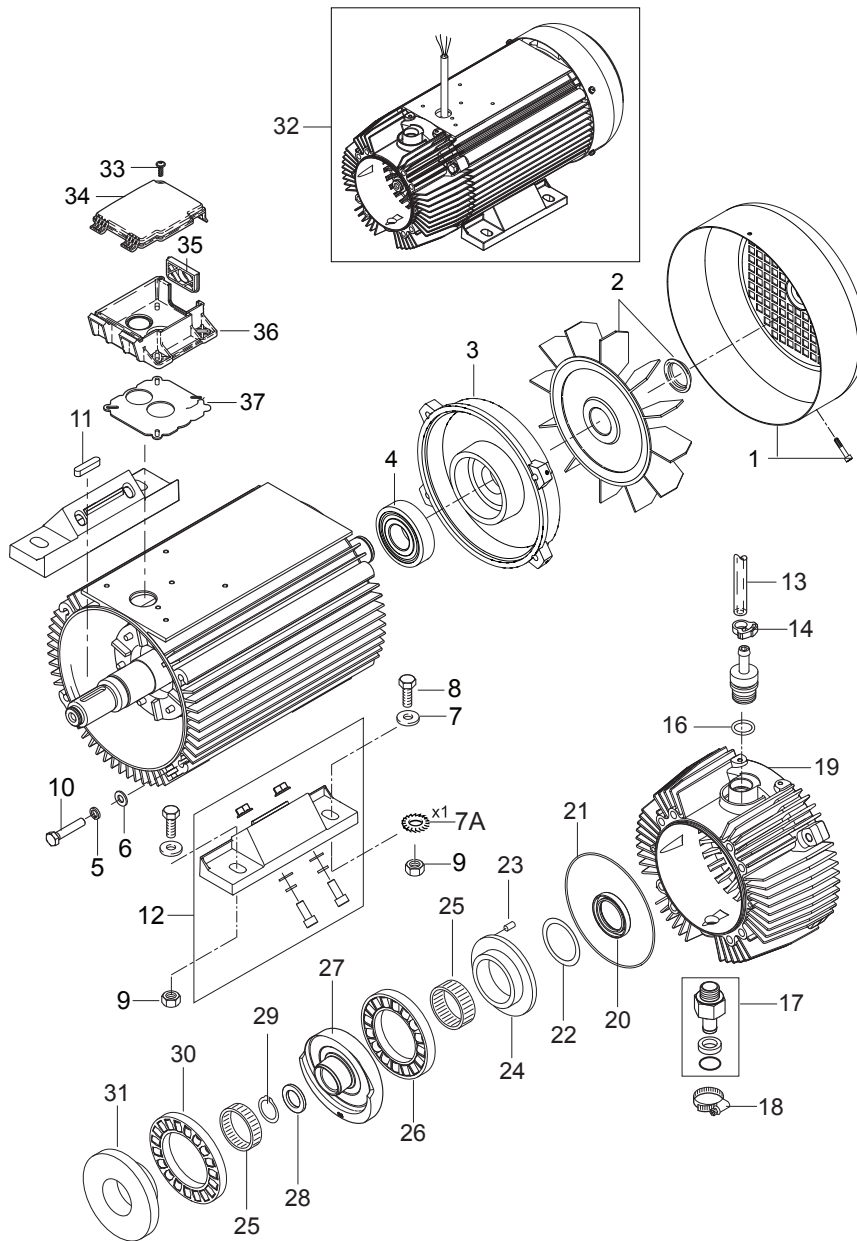
- [1] - MI 107309166 JST Connector
- [2] - TSB-PPW-2016-020 SC UNO-DUO 6P Motor bracket bolts can loosen
- [3] - TSB-PPW-2016-017 Locking ring for oil level switch falling off



| Pos. | Vare-nr   | Antal | Beskrivelse                              | Notes |
|------|-----------|-------|--|-------|
| 1    | 107307319 | 1     | E-BOX COVER UNO/DUO                      |       |
| 2    | 103821823 | 1     | Lampekontakt, Grøn                       |       |
| 3    | 103821824 | 1     | Signal Light Atteachment, Red            |       |
| 4    | 103821825 | 1     | Lampekontakt, Krop-Slutte                |       |
| 5    | 103821826 | 1     | Lampekontakt, Krop-Bryde                 |       |
| 6    | 103821838 | 1     | Omskifter Duo                            |       |
| 7    | 107307325 | 1     | END PLATE PAP 2.5/4/4AN                  |       |
| 8    | 107307321 | 3     | END PLATE PAP - PTR 2.5/4                |       |
| 9    | 107307324 | 2     | TERMINAL BLOCK PDU 2.5/4/4AN             |       |
| 10   | 103822306 | 2     | Contactora Cjx2-D18-B7 24V               | [1]   |
| 10   | 103822313 | 2     | Contactora 12-25A 50/60Hz 24V            | [2]   |
| 10   | 103822317 | 1     | Contactora Cjx2-D32-B7 24V               | [3]   |
| 12   | 107307322 | 2     | FUSE PLUG - SIHA 3/G20 - PTR 2.5/4       |       |
| 11   | 107307323 | 2     | FUSE D5X20 0.63A T 250V                  |       |
| 13   | 107318227 | 2     | TEST TERMINAL PUSH-IN P-SER. PTR 2.5/4   |       |
| 14   | 107318193 | 2     | END BRACKET FOR DIN-RAIL                 |       |
| 15   | 103822327 | 2     | Relæ 12-18 Amp                           | [4]   |
| 15   | 103822328 | 2     | Thermal Relay 17-25Amp                   | [4]   |
| 15   | 103822329 | 2     | Thermal Relay 23-32Amp                   | [4]   |
| 17   | 3803798   | 1     | Pakdåse Tet 14-20C                       |       |
| 18   | 3803780   | 3     | Pakdåse Tet 10-14C                       |       |
| 19   | 107307326 | 1     | EARTH CONNECTOR 6 PIN                    |       |
| 20   | 107307317 | 1     | DIAPHRAGM GROMMENTS D30/D20.5            |       |
| 21   | 107307320 | 8     | MINIATURE DOUBLE LOCKING. 7MM/3.5MM      |       |
| 22   | 101118236 | 1     | PCBA NEO PLATFORM 13 SC UNO/DUO KIT      | [5]   |
| 23   | 107141690 | 6     | SCREW M5X12 DIN7985 TORX TAPTITE         |       |
| 24   | 107307331 | 1     | TRAF0 40VA PR 230-400-440.SEC1+2 24VAC   |       |
| 25   | 107307330 | 1     | DAFACELL 4X8MM ADHESIVE                  |       |
| 26   | 107307329 | 1     | PCBA HOUR COUNTER DISPLAY                |       |
| 27   | 101118167 | 1     | VARIOUS WIRES KIT FOR E-BOX UNO 400/3/50 |       |
| 27   | 101118168 | 1     | VARIOUS WIRES KIT FOR E-BOX UNO L 400/3/ |       |
| 27   | 101118169 | 1     | VARIOUS WIRES KIT FOR E-BOX UNO 440/3/60 |       |
| 27   | 101118170 | 1     | VARIOUS WIRES KIT FOR E-BOX DUO 400/3/50 |       |
| 27   | 101118171 | 1     | VARIOUS WIRES KIT FOR E-BOX DUO 440/3/60 |       |
| 28   |           | 1     | Power cord H07RN-F 4G2.5                 |       |
| 28   |           | 1     | Power cord H07RN-F 4G6                   |       |
| 28   |           | 1     | Power cord H07RN-F 4G10                  |       |
| 29   | 101118172 | 1     | MOTORCABLES KIT SC UNO/DUO NA5/NA6/C3    |       |
| 29   | 101118179 | 1     | MOTORCABLES KIT FOR SC UNO/DUO NA6+      | [6]   |
| 30   | 31001016  | 1     | REMOTE/JUNCTION BOX CABLE 25 M           |       |

## Part Notes:

- [1] - Uno 5M-200/1050, Uno 6P-170/1610, Uno 7P-180/1200, Duo 6P-170/3220, Duo 7P-180/2400
- [2] - Uno 8P-200/1900, Uno 8P-160/2500, Duo 8P-200/3800, Duo 8P-160/5000
- [3] - Option 230/3/50 conversion kit
- [4] - TSB-PPW-2015-009 SC UNO\_DUO Thermal Relay Setting  
DE TSB-PPW-2015-009 SC UNO DUO Einstellung thermischer Motorschutzschalt...
- [5] - TSB-PPW-2015-010 SC DUO 7P Installation Instruction for NEW Circuit Board  
DE TSB-PPW-2015-010 SC DUO 7P Installationsanleitung für die neue NEO St...  
TSB-PPW-2016-001 Remote Control failure on SC UNO\_DUO
- TSB-PPW-2017-007 SC UNO\_SC DUO new circuit board 101118236  
DE TSB-PPW-2017-007 SC UNO SC DUO neue Platine 101118236
- [6] - SC 8P

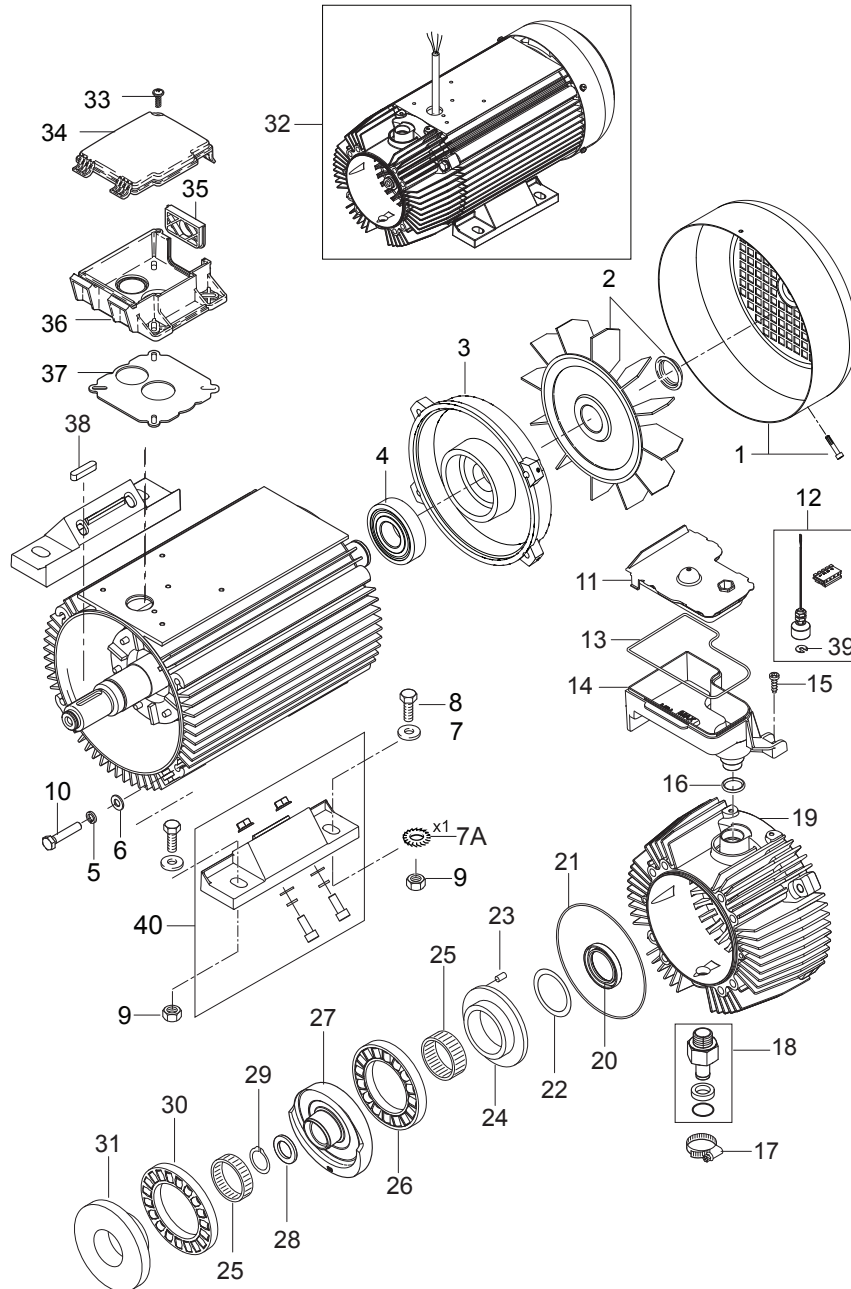


| Pos. | Vare-nr   | Antal | Beskrivelse                              | Notes |
|------|-----------|-------|--|-------|
| 0    | 5218433   | 1     | Pumpeolie ISO 150 (1 liter)              |       |
| 1    | 107144126 | 1     | FAN COVER RF                             |       |
| 2    | 107144125 | 1     | FAN W LOCK RING RF                       |       |
| 3    | 31000148  | 1     | Rear Bearing Cover Rf                    |       |
| 4    | 31000149  | 1     | Leje, Rf                                 |       |
| 5    | 2798      | 6     | LOCK WASHER 8                            |       |
| 6    | 2762      | 8     | Skive                                    |       |
| 7    | 107307315 | 7     | PLAIN WASHER 10.5X22X1.25                |       |
| 7A   | 107140931 | 1     | TOOTHED WASHER M10 SS                    | [1]   |
| 7A   | 10204     | 1     | SERRATED LOCK WASHER A10                 |       |
| 8    | 8927      | 4     | HEXAGON HEAD CAP SCREW M10X 35 ISO 4017  |       |
| 9    | 1800465   | 4     | Møtrik M10                               |       |
| 9    | 1802966   | 4     | Nut Hex M10 A2 DIN 934                   | [1]   |
| 10   | 6863      | 8     | SCREW M8X35                              |       |
| 11   | 107140880 | 1     | KEY 6X6X32 A DIN 6885                    |       |
| 12   | 106408249 | 2     | FEET FOR MOTOR                           | [2]   |
| 13   | 106408241 | 1     | Slange 2M PVC 1/4" transparent           |       |
| 14   | 107307356 | 1     | HOSE CLIP D10/D12                        |       |
| 16   | 107140882 | 1     | O-RING 15.0 X 3.0 SMS 1586 NBR70         |       |
| 17   | 101118175 | 1     | DRAIN PLUG W/MAGNET KIT NA6              |       |
| 18   | 1805100   | 1     | Spændebånd 8-20 Mm                       |       |
| 19   | 101118067 | 1     | FRONT BEARING COVER CPL.                 |       |
| 20   | 3001146   | 1     | Olietætningsring                         |       |
| 21   | 106408215 | 1     | O-RING 126.71 X 1.78 NBR 72              |       |
| 22   | 6100995   | 1     | Skive                                    |       |
| 23   | 6100996   | 1     | Styrestift                               |       |
| 24   | 107120703 | 1     | Lejeskive                                |       |
| 25   | 3200656   | 2     | Nåleleje Ina K 40X46X17                  |       |
| 26   | 3200615   | 1     | Rulleleje                                |       |
| 27   | 106408213 | 1     | WOBBLE DISC POLISHED 7.05DEG             |       |
| 28   | 106408204 | 1     | WASHER D32 x D20.1 x 3 STEEL             |       |
| 29   | 1802057   | 1     | Circlip external 20x1.2 Spring steel, bl |       |
| 30   | 106408206 | 1     | CYL. ROLLER BEARING K81 212-TV AX. D11   |       |
| 31   | 106408207 | 1     | BEARING TRACK THRUST                     |       |
| 32   | 106408202 | 1     | MOTOR 7.5KW. 3X230/400-220/440           |       |
| 33   | 10028     | 1     | Skruer                                   |       |
| 34   | 301000782 | 1     | Dæksel                                   |       |
| 35   | 17106     | 1     | Indsats                                  |       |
| 36   | 301000781 | 1     | Elkasse                                  |       |
| 37   | 301000845 | 1     | GASKET FOR ELECTRIC BOX 100.50X114X1MM N |       |

Part Notes:

- [1] - Stainless steel
- [2] - TSB-PPW-2016-020 SC UNO-DUO 6P Motor bracket bolts can loosen  
DE TSB-PPW-2016-020 SC UNO-DUO 6P Motorhalterungsschrauben können sich l...

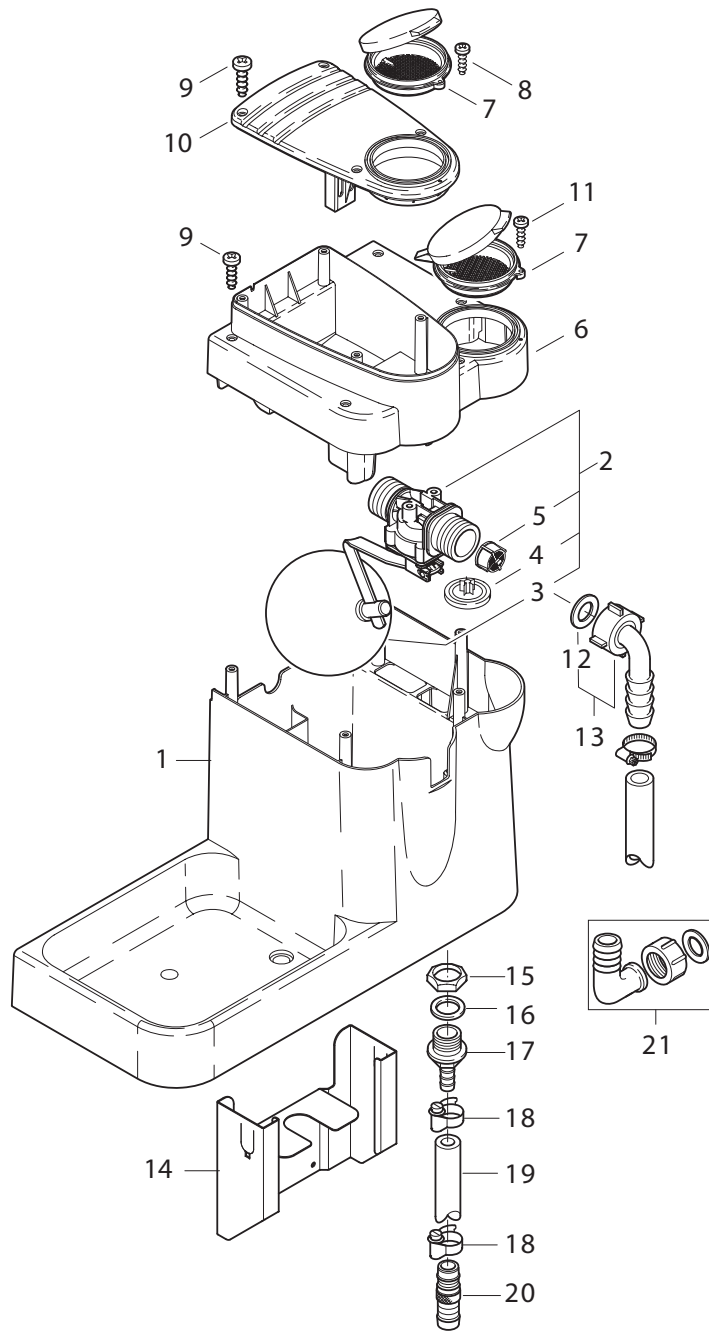




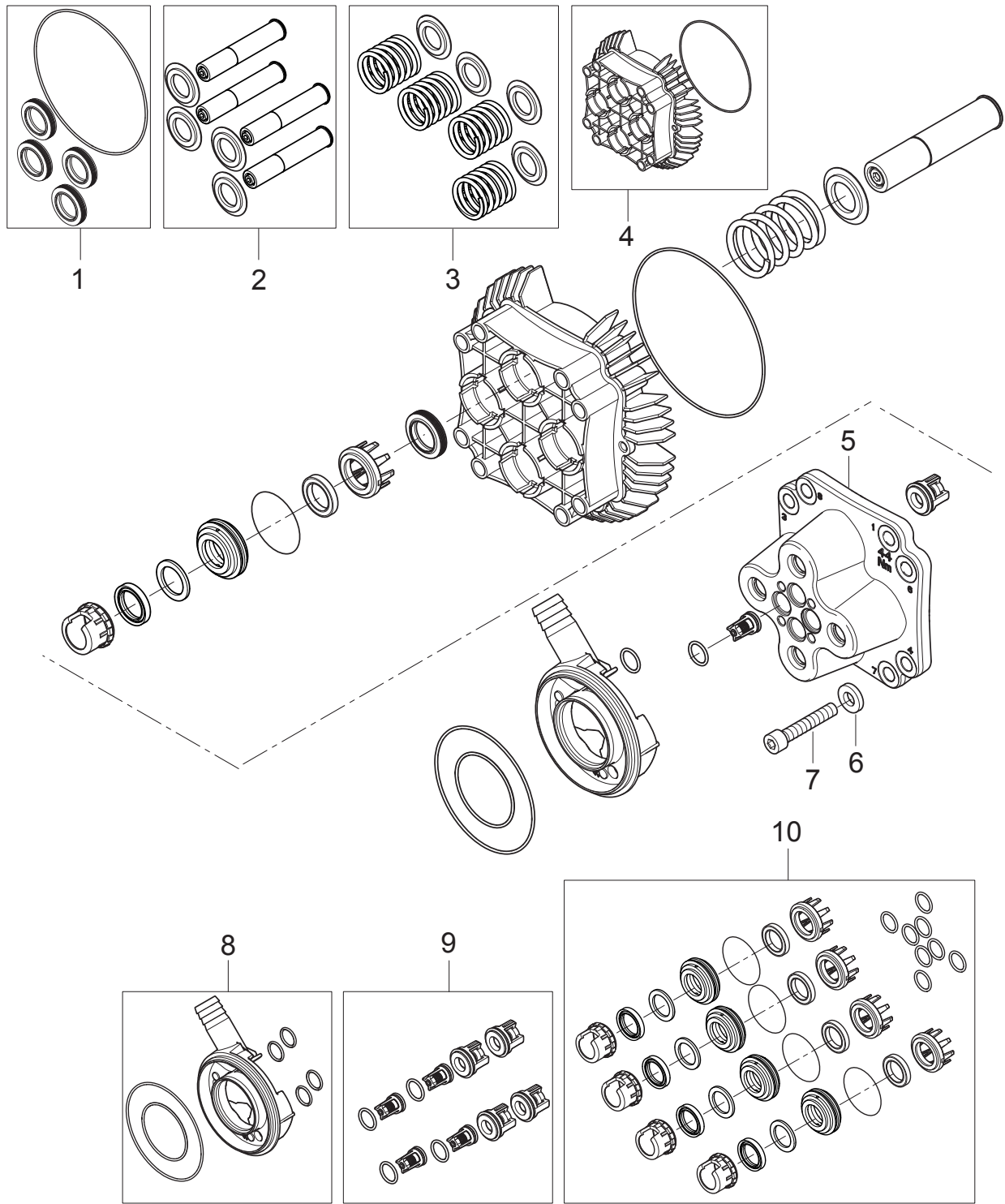
| Pos. | Vare-nr   | Antal | Beskrivelse                              | Notes |
|------|-----------|-------|--|-------|
| 0    | 5218433   | 1     | Pumpeolie ISO 150 (1 liter)              |       |
| 1    | 107144126 | 1     | FAN COVER RF                             |       |
| 2    | 107144125 | 1     | FAN W LOCK RING RF                       |       |
| 3    | 31000148  | 1     | Rear Bearing Cover Rf                    |       |
| 4    | 31000149  | 1     | Leje, Rf                                 |       |
| 5    | 2798      | 8     | LOCK WASHER 8                            |       |
| 6    | 2762      | 8     | Skive                                    |       |
| 7    | 107307315 | 4     | PLAIN WASHER 10.5X22X1.25                |       |
| 7A   | 107140931 | 1     | TOOTHED WASHER M10 SS                    | [1]   |
| 7A   | 10204     | 1     | SERRATED LOCK WASHER A10                 |       |
| 8    | 8927      | 4     | HEXAGON HEAD CAP SCREW M10X 35 ISO 4017  |       |
| 9    | 1800465   | 4     | Møtrik M10                               |       |
| 9    | 1802966   | 4     | Nut Hex M10 A2 DIN 934                   | [1]   |
| 10   | 6863      | 8     | SCREW M8X35                              |       |
| 11   | 107140877 | 1     | OIL CONTAINER TOP                        |       |
| 12   | 101118173 | 1     | OIL SENSOR W/PLUG KIT                    | [2]   |
| 13   | 101406054 | 1     | Sponge Rubber Ø4 L 1M                    |       |
| 14   | 107140879 | 1     | OIL CONTAINER BOTTOM                     |       |
| 15   | 107140881 | 1     | SCREW M5X12 DIN 7985 TORX                |       |
| 16   | 107140882 | 1     | O-RING 15.0 X 3.0 SMS 1586 NBR70         |       |
| 17   | 1805100   | 1     | Spændebånd 8-20 Mm                       |       |
| 18   | 101118175 | 1     | DRAIN PLUG W/MAGNET KIT NA6              |       |
| 19   | 101118067 | 1     | FRONT BEARING COVER CPL.                 |       |
| 20   | 3001146   | 1     | Olietætningsring                         |       |
| 21   | 106408215 | 1     | O-RING 126.71 X 1.78 NBR 72              |       |
| 22   | 6100995   | 1     | Skive                                    |       |
| 23   | 6100996   | 1     | Styrestift                               |       |
| 24   | 107120703 | 1     | Lejeskive                                |       |
| 25   | 3200656   | 2     | Nåleleje Ina K 40X46X17                  |       |
| 26   | 3200615   | 1     | Rulleleje                                |       |
| 27   | 106408213 | 1     | WOBBLE DISC POLISHED 7.05DEG             |       |
| 28   | 106408204 | 1     | WASHER D32 x D20.1 x 3 STEEL             |       |
| 29   | 1802057   | 1     | Circlip external 20x1.2 Spring steel, bl |       |
| 30   | 106408206 | 1     | CYL. ROLLER BEARING K81 212-TV AX. D11   |       |
| 31   | 106408207 | 1     | BEARING TRACK THRUST                     |       |
| 32   | 106408202 | 1     | MOTOR 7.5KW. 3X230/400-220/440           |       |
| 33   | 10028     | 1     | Skruer                                   |       |
| 34   | 301000782 | 1     | Dæksel                                   |       |
| 35   | 17106     | 1     | Indsats                                  |       |
| 36   | 301000781 | 1     | Elkasse                                  |       |
| 37   | 301000845 | 1     | GASKET FOR ELECTRIC BOX 100.50X114X1MM N |       |
| 38   | 107140880 | 1     | KEY 6X6X32 A DIN 6885                    |       |
| 39   | 107142593 | 1     | HOLDING WASHER PE                        | [3]   |
| 40   | 106408249 | 2     | FEET FOR MOTOR                           | [4]   |

Part Notes:

- [1] - Stainless steel
- [2] - MI 107309166 JST Connector
- [3] - TSB-PPW-2016-017 Locking ring for oil level switch falling off
- [4] - TSB-PPW-2016-020 SC UNO-DUO 6P Motor bracket bolts can loosen



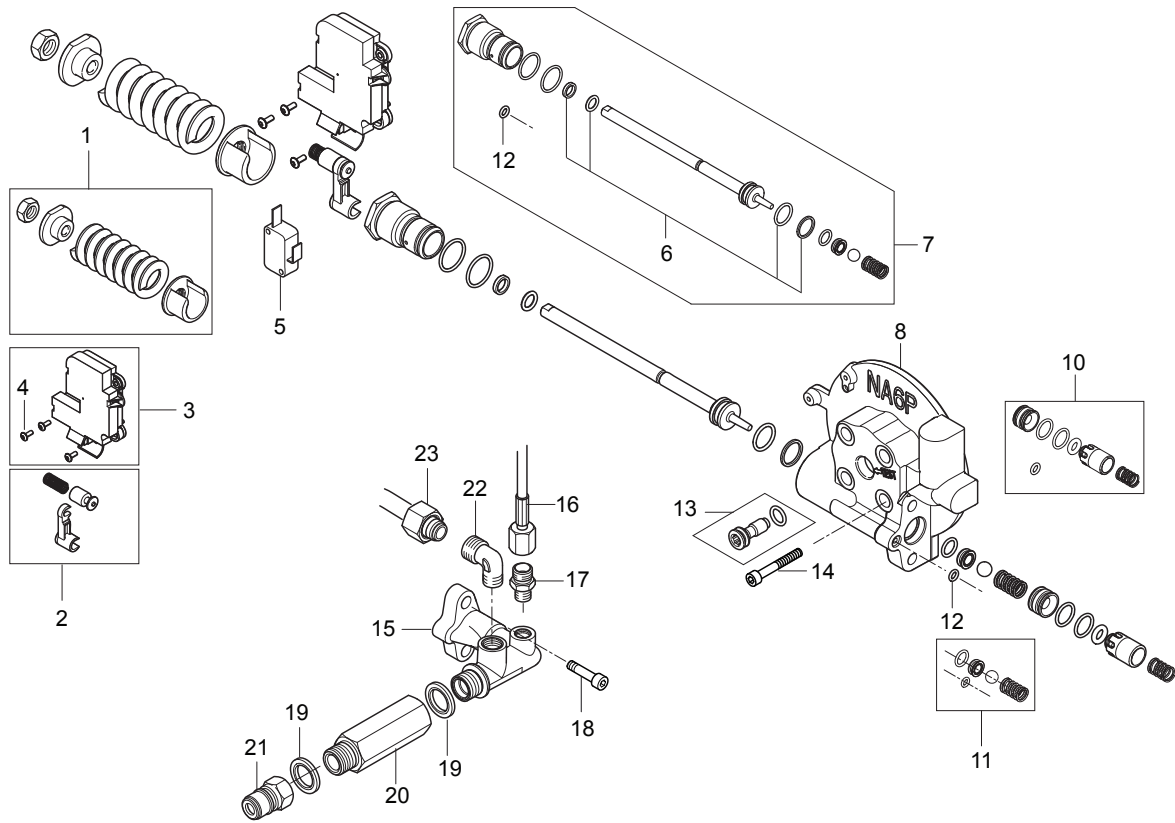
| Pos. | Vare-nr   | Antal | Beskrivelse                          | Notes |
|------|-----------|-------|--------------------------------------|-------|
| 0    | 107371020 | 1     | Vandtank med svømmerventil 40 l/min  |       |
| 1    | 301001762 | 1     | Vandtank                             |       |
| 2    | 43127     | 1     | Float Valve                          |       |
| 3    | 11418     | 1     | Float Ball                           |       |
| 4    | 33999     | 1     | MEMBRANE                             |       |
| 5    | 33998     | 1     | Filter                               |       |
| 6    | 301000562 | 1     | Anti Kalk Tank                       |       |
| 7    | 301000561 | 2     | Dæksel                               |       |
| 8    | 5606      | 1     | Metal Skrue                          |       |
| 9    | 909100138 | 9     | Skrue                                |       |
| 10   | 301000560 | 1     | Låg Anti Kalk Tank                   |       |
| 11   | 18086     | 1     | Metal Skrue                          |       |
| 12   | 15587     | 1     | Pakning                              |       |
| 13   | 5613      | 1     | Slangestuds                          |       |
| 14   | 107305050 | 1     | SUPPORT FOR WATER TANK               |       |
| 15   | 1800341   | 1     | "Kontramøtrik 3/4" " "               |       |
| 16   | 2377      | 1     | Packing Ring 27X38X2 It              |       |
| 17   | 101609406 | 1     | HOSE TAIL 19MM X3/4                  |       |
| 18   | 1810191   | 1     | Spændebånd 13-27 A4 (SS)             |       |
| 19   | 4808847   | 1     | "Blå Armeret Slange 3/4" " "         |       |
| 20   | 1600659   | 1     | KEW kobling slange-ende 3/4" han     |       |
| 21   | 106268101 | 1     | HOSE COUPLING W/UNION NUT AND GASKET |       |



| Pos. | Vare-nr   | Antal | Beskrivelse                             | Notes |
|------|-----------|-------|---|-------|
| 1    | 101118057 | 1     | SEAL KIT FOR CYLINDER BLOCK NA6         |       |
| 2    | 101118066 | 1     | PISTON KIT NA6                          | [1]   |
| 2    | 101118065 | 1     | PISTON KIT W/MARKING NA6 6-79 / 6-61FFA |       |
| 3    | 101118059 | 1     | RETURN SPRING - KIT NA6                 |       |
| 4    | 101118060 | 1     | CYLINDER BLOCK - KIT NA6                |       |
| 5    | 106408197 | 1     | PUMP HEAD D24 NA6                       |       |
| 6    | 2767      | 1     | Pakning 10,5X2                          |       |
| 7    | 1813393   | 1     | Skrue M10X100                           |       |
| 8    | 101118063 | 1     | INLET MANIFOLD KIT - NA6                |       |
| 9    | 101118062 | 1     | OUTLET/INLET VALVE KIT - NA6            |       |
| 10   | 101118155 | 1     | WATER SEAL KIT - NA6                    |       |

Part Notes:

[1] - 170-1610, 170-3220

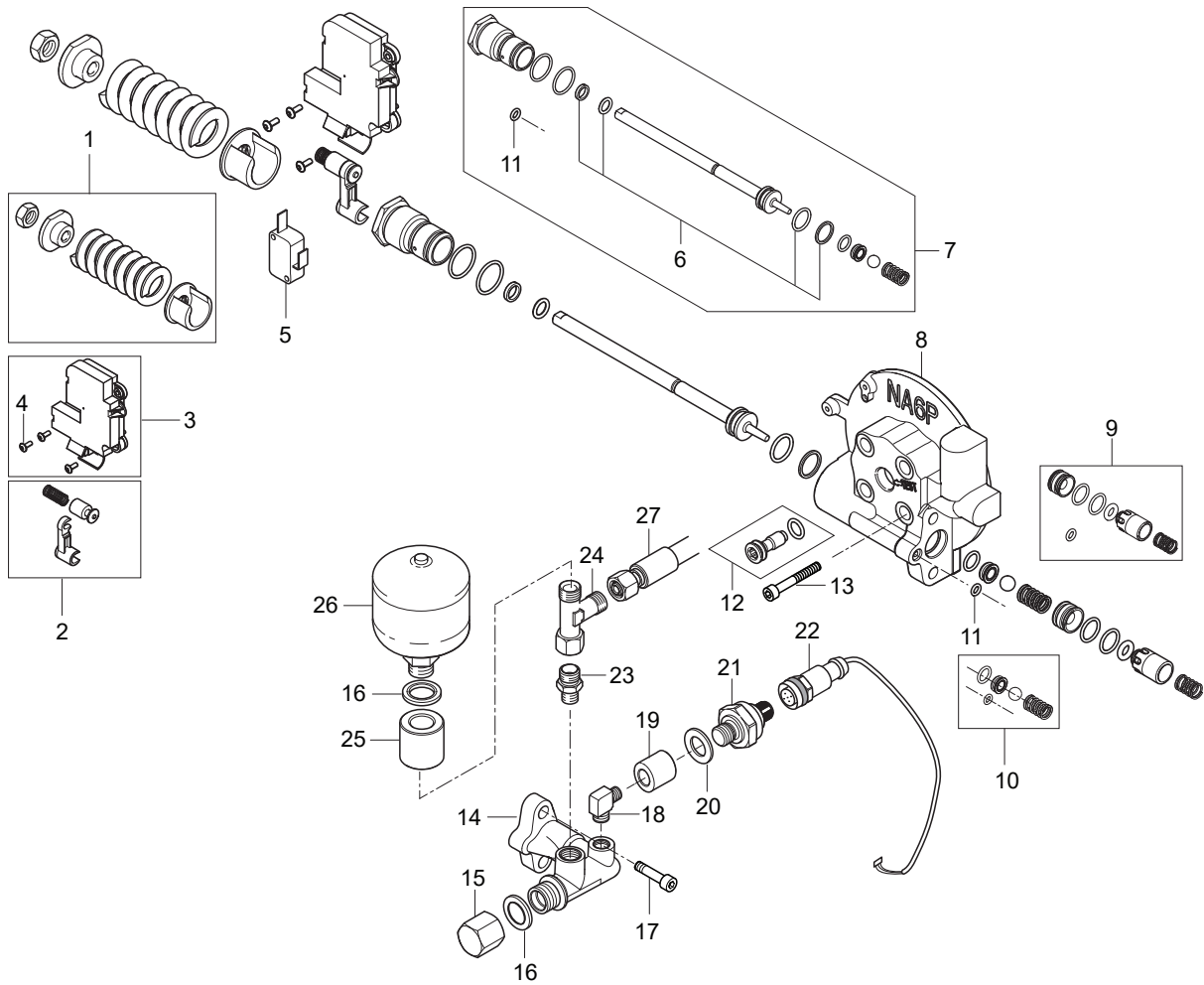


| Pos. | Vare-nr   | Antal | Beskrivelse                              | Notes |
|------|-----------|-------|--|-------|
| 1    | 101118092 | 1     | UNLOADER SPR. REP.KIT-NON PAINTED NA5 PA |       |
| 2    | 101118090 | 1     | MICROSW. ACTIVATION REP. KIT NA5 PA      |       |
| 3    | 101118084 | 1     | MICROSWITCH BOX W/O MICROSW. NA5 PA      |       |
| 4    | 107141515 | 3     | SCREW M3X8 ISO7380 FZG TORX 10           |       |
| 5    | 301002754 | 1     | Micro-Switch                             |       |
| 6    | 101118083 | 1     | SEAL KIT FOR STEM FOR NA5 PA             |       |
| 7    | 101118082 | 1     | STEM PLUS SEALING REP. KIT NA5 PA        |       |
| 8    | 106408246 | 1     | UNLOADER BODY NA6P WO. WATER REG.        |       |
| 10   | 101118254 | 1     | HOLDING PRESS.V.REP. KIT NA5.2PA - UK AU | [1]   |
| 10   | 101118087 | 1     | HOLDING PRESS. VALVE REP. KIT NA5 PA     |       |
| 11   | 101118088 | 1     | BYPASS VALVE REP. KIT NA5 PA             |       |
| 12   | 107141514 | 1     | O-RING D4 X D1.5 NBR 90                  |       |
| 13   | 107144137 | 1     | Unloader Plug Na5                        |       |
| 14   | 5100      | 4     | Screw M6X45                              |       |
| 15   | 107307335 | 1     | OUTLET FITTING                           |       |
| 16   | 301002672 | 1     | Hp Hose Dn2X410                          |       |
| 17   | 1821      | 1     | Fitting                                  |       |
| 18   | 8894      | 1     | Skrue                                    |       |
| 19   | 1801075   | 3     | Tætningsskive 3/8"                       |       |
| 20   | 107307336 | 1     | EXTENSION G 3/8INCH                      |       |
| 21   | 1603101   | 1     | Ergo højtrykskobling DN10 RF han         |       |
| 22   | 1603119   | 1     | "Vinkel Ø12X1/4" "                       |       |
| 23   | 101405731 | 1     | High Pressure Hose                       |       |

## Part Notes:

[1] - Only UK, AU





| Pos. | Vare-nr   | Antal | Beskrivelse                              | Notes |
|------|-----------|-------|--|-------|
| 1    | 101118092 | 1     | UNLOADER SPR. REP.KIT-NON PAINTED NA5 PA |       |
| 2    | 101118090 | 1     | MICROSW. ACTIVATION REP. KIT NA5 PA      |       |
| 3    | 101118084 | 1     | MICROSWITCH BOX W/O MICROSW. NA5 PA      |       |
| 4    | 107141515 | 3     | SCREW M3X8 ISO7380 FZG TORX 10           |       |
| 5    | 301002754 | 1     | Micro-Switch                             |       |
| 6    | 101118083 | 1     | SEAL KIT FOR STEM FOR NA5 PA             |       |
| 7    | 101118082 | 1     | STEM PLUS SEALING REP. KIT NA5 PA        | [1]   |
| 8    | 106408246 | 1     | UNLOADER BODY NA6P WO. WATER REG.        |       |
| 9    | 101118254 | 1     | HOLDING PRESS.V.REP. KIT NA5.2PA - UK AU | [1]   |
| 9    | 101118087 | 1     | HOLDING PRESS. VALVE REP. KIT NA5 PA     | [1]   |
| 10   | 101118088 | 1     | BYPASS VALVE REP. KIT NA5 PA             | [1]   |
| 11   | 107141514 | 1     | O-RING D4 X D1.5 NBR 90                  |       |
| 12   | 107144137 | 1     | Unloader Plug Na5                        |       |
| 13   | 5100      | 3     | Screw M6X45                              |       |
| 14   | 107307335 | 1     | OUTLET FITTING                           |       |
| 15   | 107307343 | 1     | CAP NUT 3/8INCH                          |       |
| 16   | 1801075   | 3     | Tætningsskive 3/8"                       |       |
| 17   | 8894      | 1     | Skrue                                    |       |
| 18   | 101609393 | 1     | V-CONNECTION 6 1/8                       |       |
| 19   | 107307342 | 1     | FITTING 1/4INCH M12X1.5                  |       |
| 20   | 1810241   | 1     | "Selvtættende Skive 1/4""Rg , Rf"        |       |
| 21   | 107307344 | 1     | PRESSURE TRANSMITTER                     |       |
| 22   | 107307348 | 1     | M12X1 CONNECTOR W/CABLE                  |       |
| 23   | 1603077   | 1     | "Ligeforskrining Ø12X1/4"" "             |       |
| 24   | 107307341 | 1     | STUD BARREL TEES ADJUSTABLE D12          |       |
| 25   | 107307340 | 1     | NIPPLE FOR ACCUMULATOR                   |       |
| 26   | 63090     | 1     | Trykudligner                             |       |
| 27   | 101405731 | 1     | High Pressure Hose                       |       |

## Part Notes:

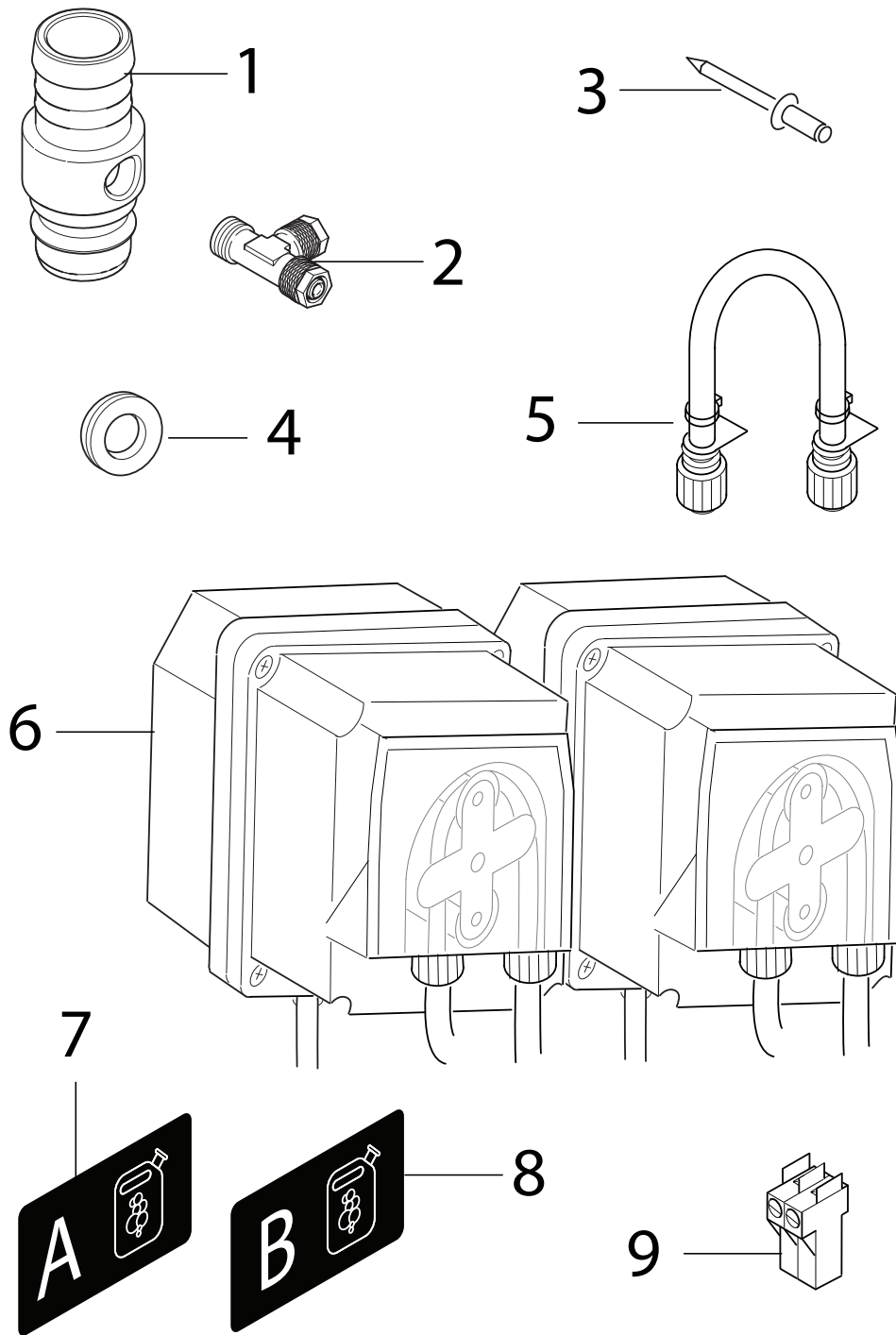
[1] - TSB-PPW-2017-005 Low pressure—Unloader valve for NA5.2 pump can leak internally



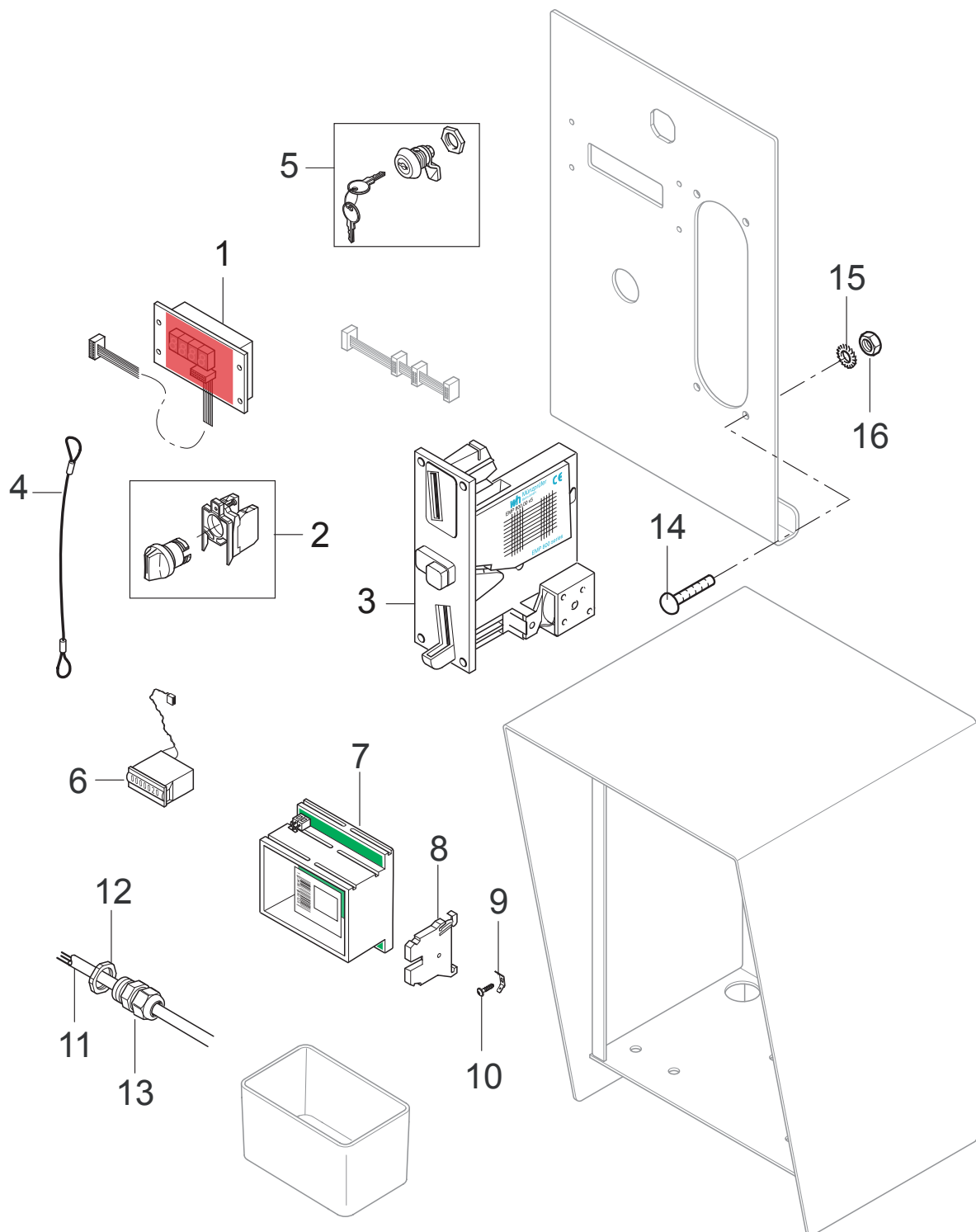
| Pos. | Vare-nr   | Antal | Beskrivelse                             | Notes |
|------|-----------|-------|---|-------|
| 1    | 106402191 | 1     | Ergo 3000 spulehåndtag m. svivel-lås VP | [1]   |
| 1    | 106403122 | 1     | Ergo 2000 spulehåndtag m. svivel        | [2]   |
| 2    | 6101766   | 1     | Højtryksslange 10 m dobbelt-wire DN10   | [3]   |
| 3    | 106403010 | 1     | Tornado Plus dyserør u. dyse 112 cm     | [4]   |
| 4    | 101119752 | 1     | Tornado Plus dyse 1/8" 0900 Brun        | [5]   |
| 5    | 107371030 | 1     | ACCESSORY REMOTE INTERFACE KIT          | [6]   |

## Part Notes:

- [1] - 200/1900, 160/2500ERGO 3000 Spray handle with swivel lock - from 15.09.03
- [2] - 170/1610  
ERGO 2000 Spray handle
- [3] - HOSES Overview
- [4] - TORNADO PLUS lance
- [5] - CONTACT PROD. MGMT.
- SC UNO 6P-170/1610 \*EU\*
- [6] - 106421589A Electric diagram interface kit



| Pos. | Vare-nr   | Antal | Beskrivelse                         | Notes |
|------|-----------|-------|-------------------------------------|-------|
| 0    | 107371025 | 1     | 2 x Højtryksekemi                   |       |
| 1    |           | 2     | HOSE NIPPEL FOR CHEMICAL. INLET     |       |
| 2    | 107318241 | 1     | FITTING D6XD4XG1/8 BRASS            |       |
| 3    | 1814128   | 4     | Bifurcated Rivet 4X10.3 1453        |       |
| 4    | 3001427   | 1     | Kabelgennemføring                   |       |
| 5    | 103822265 | 2     | Slange F Kemipumpe                  |       |
| 6    | 103822206 | 2     | Kemipumpe Max 18 L/Time             |       |
| 7    | 107319150 | 1     | LABEL FOR CHEMICAL A                |       |
| 8    | 107319151 | 1     | LABEL FOR CHEMICAL B                |       |
| 9    | 107307361 | 1     | RAST 5 CONNECTORS PITCH 5.0MM 2-POL |       |

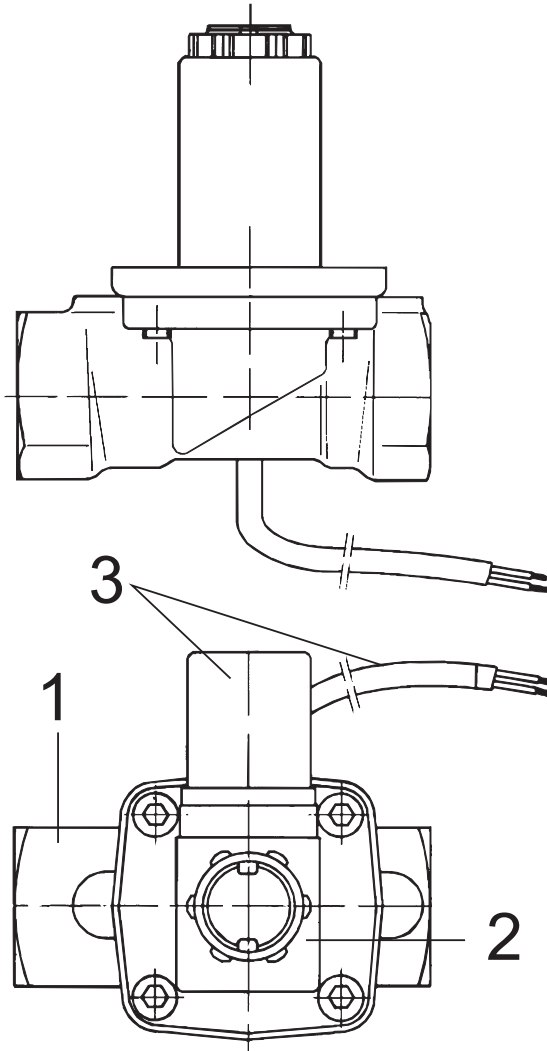


| Pos. | Vare-nr   | Antal | Beskrivelse                            | Notes |
|------|-----------|-------|--|-------|
| 0    | 107371027 | 1     | Møntboks ON/OFF + Kemi A, B            |       |
| 1    | 107318186 | 1     | DISPLAY D801.00                        |       |
| 2    | 107307367 | 1     | SWITCH 3 WAY XB4BD33 2XNO              |       |
| 3    | 107318185 | 1     | COIN ACCEPTOR UNIVERSAL EMP 800.07 V6  |       |
| 4    | 301001091 | 1     | ROPE D1.2X365                          |       |
| 5    | 107307372 | 1     | CYLINDER QUARTER-TURN                  |       |
| 6    | 107318246 | 1     | COUNTER FOR COIN SYSTEM 24VDC 7 DIGITS |       |
| 7    | 107318220 | 1     | POWERSUPPLY FOR COIN N 820.06/24VDC    |       |
| 8    | 107318193 | 1     | END BRACKET FOR DIN-RAIL               |       |
| 9    | 107142559 | 1     | FASTON TAB TERMINAL DOUBLE STUD 45°    |       |
| 10   | 107141838 | 1     | SCREW K50X18 WN1451 BLACK TORX20       |       |
| 11   | 107307365 | 1     | CABLE COINER                           |       |
| 12   | 103821778 | 1     | NUT M20X1.5                            |       |
| 13   | 103821785 | 1     | CABLE BUSHING                          |       |
| 14   | 14370     | 4     | PANEL SCREW M4x20 zn                   | [1]   |
| 15   | 15319     | 4     | HEXAGON NUT M4                         |       |
| 16   | 2771      | 4     | LOCKWASHER A4 DIN 128 ZN               |       |

Part Notes:

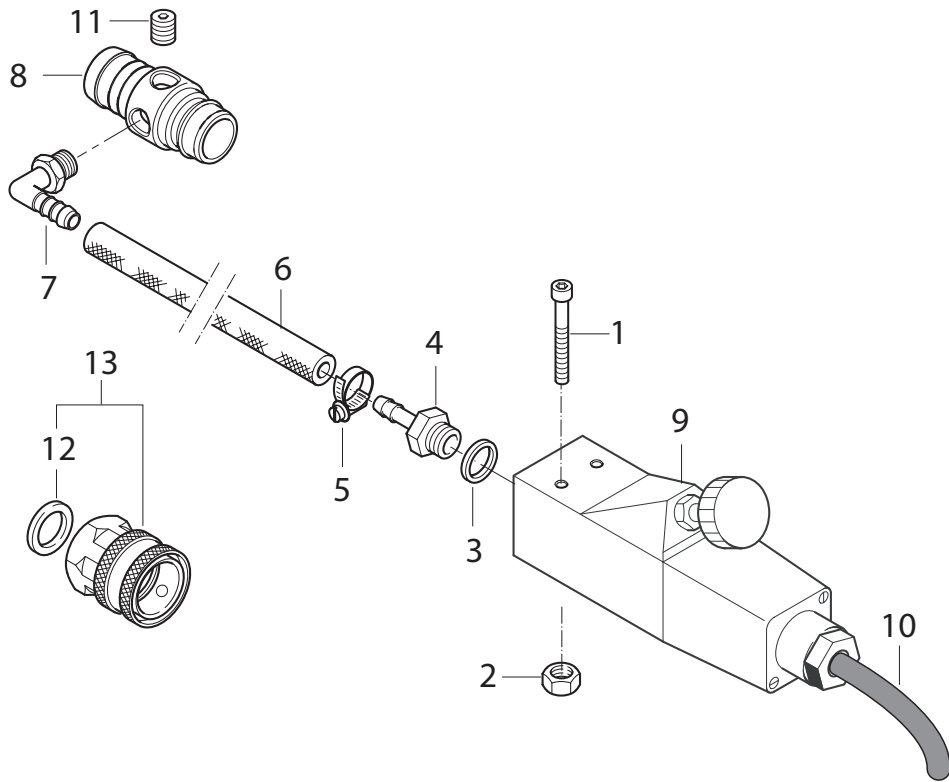
[1] - STOCK COVERS GUARANTEE PERIOD



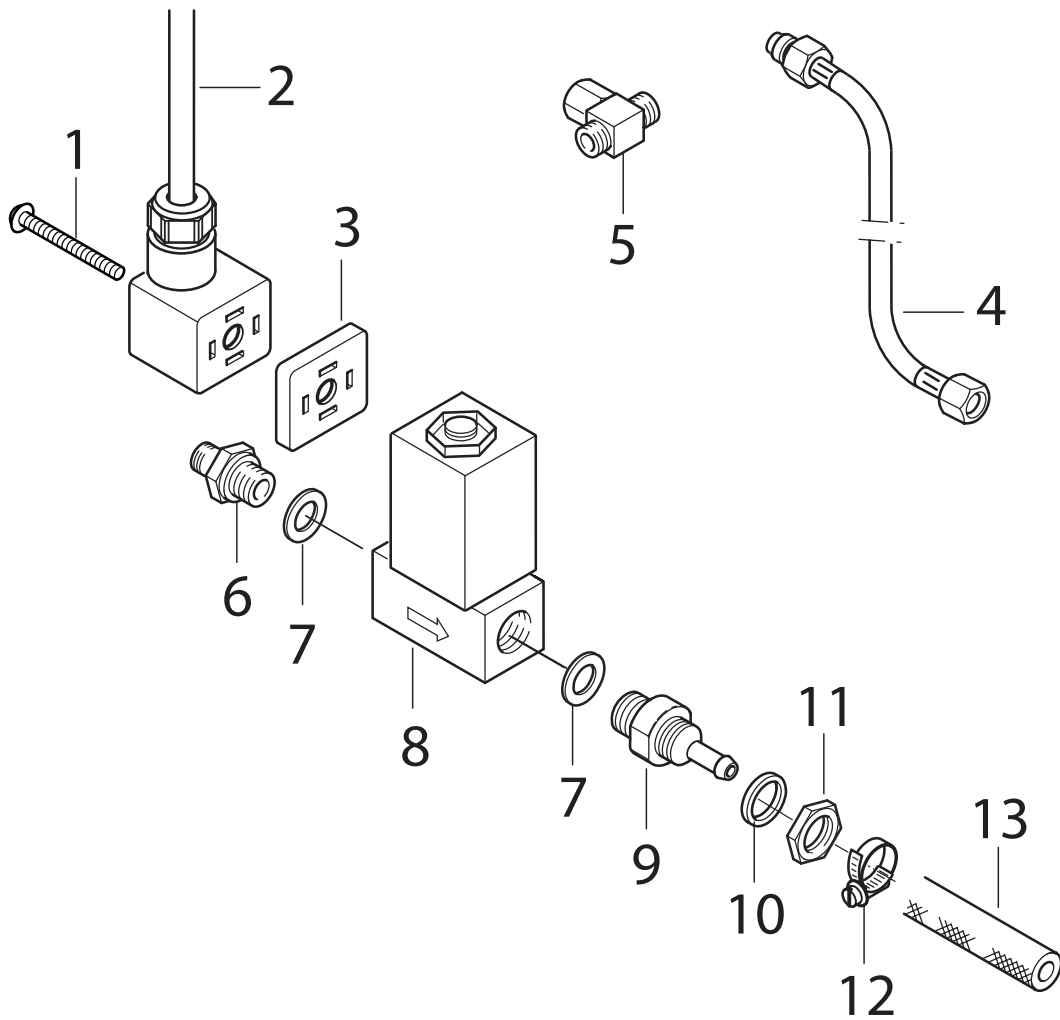


---

| Pos. | Vare-nr   | Antal | Beskrivelse              | Notes |
|------|-----------|-------|--------------------------|-------|
| 0    | 107371023 | 1     | Sikring for tilgangsvand |       |
| 1    | 3401727   | 1     | Ventil U/Spole Evsi20    |       |
| 2    | 3808151   | 1     | Spole 24V 50Hz           |       |
| 3    | 107307359 | 1     | CABLE WATER INLET        |       |



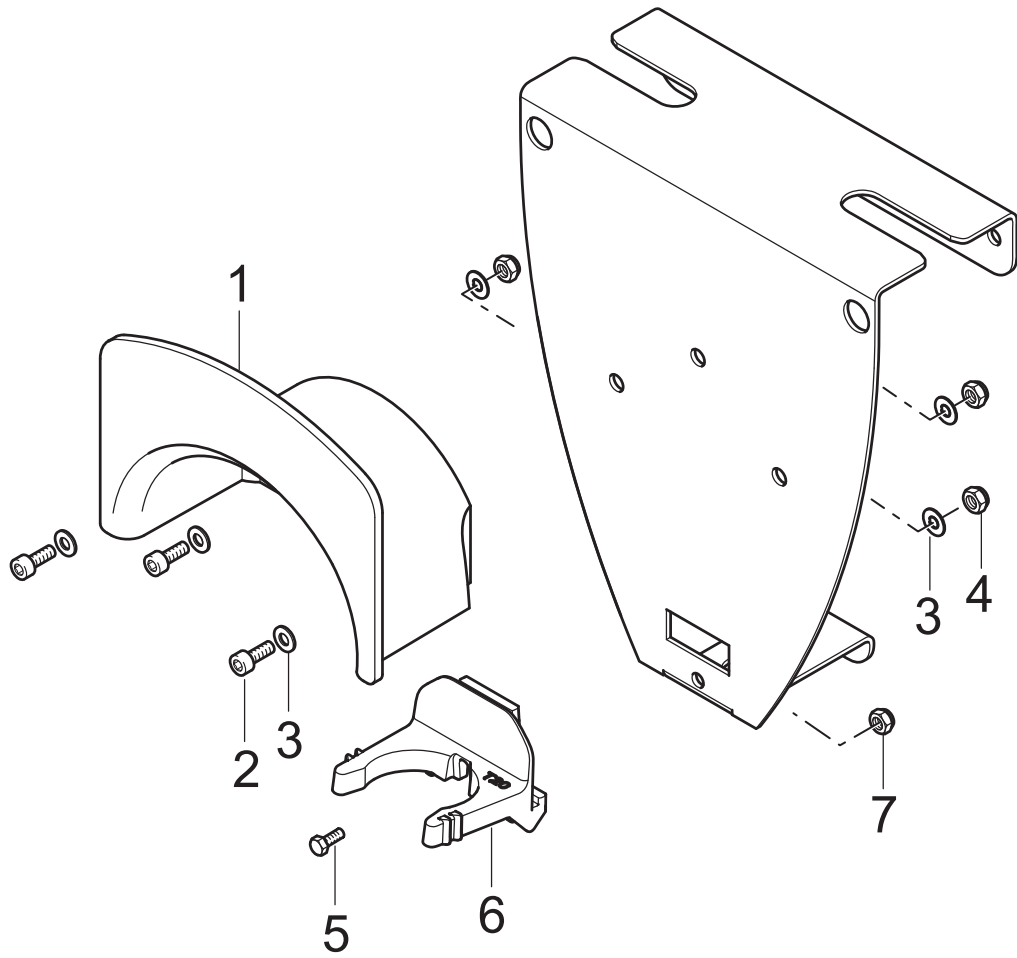
| Pos. | Vare-nr   | Antal | Beskrivelse                          | Notes |
|------|-----------|-------|--------------------------------------|-------|
| 0    | 107371024 | 1     | Sikring for lav vandstand            |       |
| 1    | 1806017   | 2     | SCREW M5X40 8.8 A2K DIN912           |       |
| 2    | 1804285   | 2     | Låsemøtrik M5                        |       |
| 3    | 1803493   | 1     | Tætningsskive f. 1/4" RG             |       |
| 4    | 1608512   | 1     | "Muffe 1/4""                         |       |
| 5    | 1807593   | 1     | Spændebånd 6-16MM A2                 |       |
| 6    | 101406100 | 1     | Kemislange, 5 Meter                  |       |
| 7    |           | 1     | HOSESTUD 90 DEGREE Ø6X1/8 INCH BRASS |       |
| 8    |           | 1     | HOSE NIPPEL FOR CHEMICAL. INLET      |       |
| 9    | 4852      | 1     | Pressure Switch 0.2-2 Bar            |       |
| 10   | 107307360 | 1     | CABLE PRESSURE GUARD                 |       |
| 11   | 1602333   | 1     | "Rørprop 1/8" "                      |       |
| 12   | 3001237   | 1     | Pakning Ø24,5Xø16X3                  |       |
| 13   | 1602945   | 1     | KEW kobling, indiv. gevind 3/4"      |       |



| Pos. | Vare-nr   | Antal | Beskrivelse                              | Notes |
|------|-----------|-------|--|-------|
| 0    | 107371028 | 1     | Trykaflastningsventil                    |       |
| 1    | 17768     | 1     | Skrue M3X25                              | [1]   |
| 2    | 107307357 | 1     | CABLE PRESSURE RELEASE                   |       |
| 3    | 17767     | 1     | Pakning                                  | [1]   |
| 4    | 107307358 | 1     | HOSE DN2 400 BAR 300MM. COMPLETE         |       |
| 5    |           | 1     | STUD BARREL TEES ADJUSTABLE Ø6           |       |
| 6    | 1600410   | 1     | "Ligeforskrning Ø6 X 1/4"" "             |       |
| 7    | 1810241   | 2     | "Selvtættende Skive 1/4""Rg , Rf"        |       |
| 8    | 3804812   | 1     | Huba Magnetventil                        |       |
| 9    |           | 1     | FITTING 1/4 INCH Ø6                      |       |
| 10   |           | 1     | WASHER Ø18/Ø13.3X1.5MM NATURAL NYLON 6.6 |       |
| 11   |           | 1     | LOCKNUT 1/4 INCH BSPP E14-2 BRASS        |       |
| 12   | 1807593   | 2     | Spændebånd 6-16MM A2                     |       |
| 13   | 101406100 | 1     | Kemislange, 5 Meter                      |       |

Part Notes:

[1] - PLEASE CONTACT CARWASH DIRECTLY



| Pos. | Vare-nr   | Antal | Beskrivelse                   | Notes |
|------|-----------|-------|-------------------------------|-------|
| 0    | 107371029 | 1     | Opbevaring af tilbehør - kit  |       |
| 1    | 43064     | 1     | Slangeholder                  |       |
| 2    | 1802933   | 3     | SCREW M6X22 ISO4017 A2        |       |
| 3    | 1813807   | 6     | Skive M6Xø18 Rf               |       |
| 4    | 1801893   | 3     | NUT M6 ISO 4032 A2-70         |       |
| 5    | 1804475   | 1     | Skrue M5X12 ISO 14583-A2 TORX |       |
| 6    | 107142504 | 1     | Holder til skumsprayer        |       |
| 7    | 1804285   | 1     | Låsemøtrik M5                 |       |



