

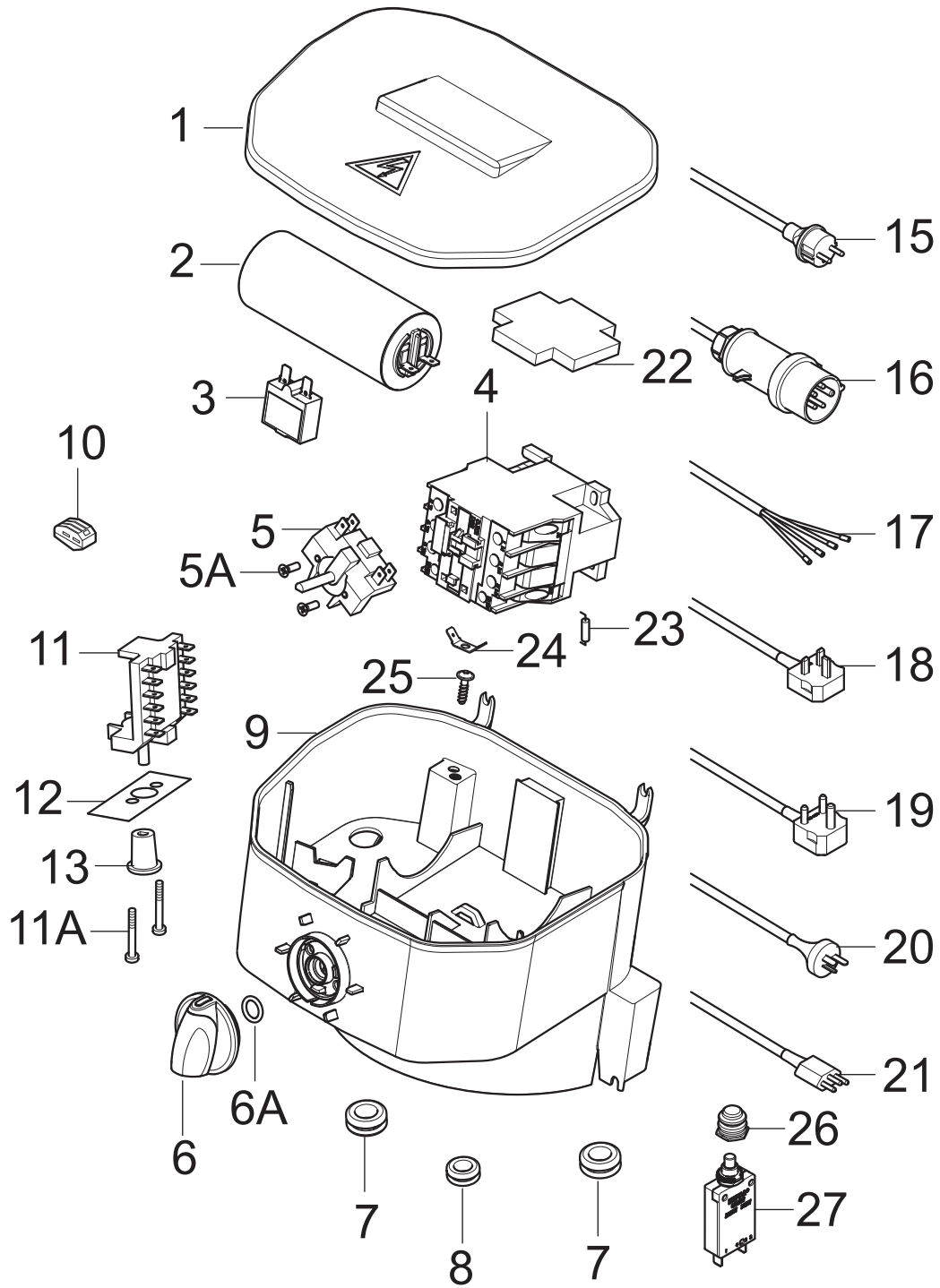
PARTS LIST



2017.05.26

TABLE OF CONTENTS

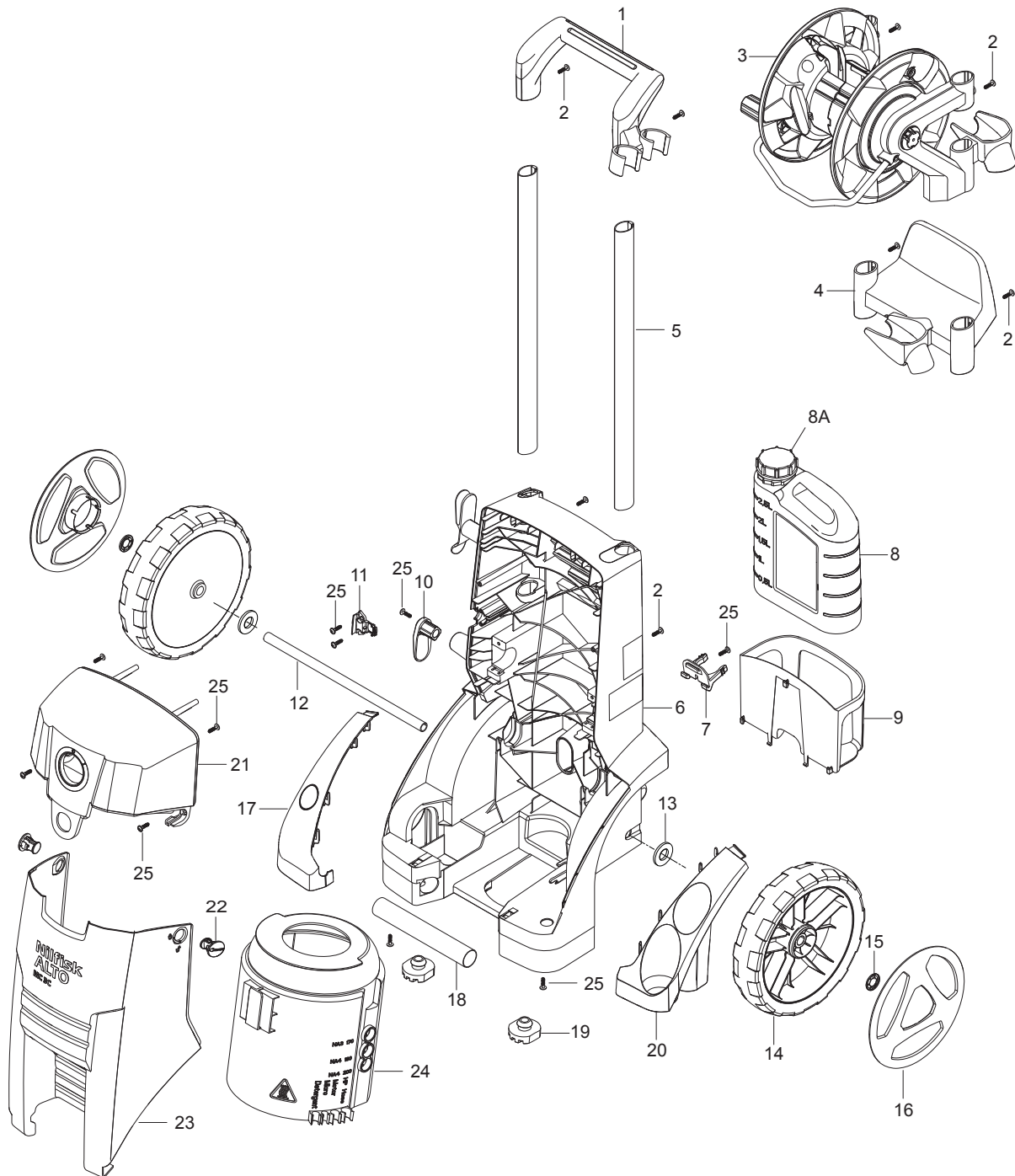
Electric box	1
Overview	3
Pump without easy start and without injector	5
Recommended spare part	7
Accessories	9
Motor MC3	11



Pos.	Vare-nr	Antal	Beskrivelse	Notes
1	107142547	1	E-BOX LID MC 3-4	
2	301002320	1	Kondensator	
3	301002322	1	Sikring 16A	
3	107142548	1	FUSE 16 AMPS TYPE 2-5700-IG2-P10-DD-16A	[1]
4	103822300	1	Contact.Cjx2 D-12-V7 400V	
5	301001058	1	Start/stop kontakt	
5A	18274	2	Skruer M4X12	
6	909100204	1	Drejeknap	
6A	9868	1	O-ring 10.0X2.5	
7	301002284	2	GROMMET	
8	3803772	1	CABLE GROMMET TET 7-10C	
9	107142550	1	E-BOX BOTTOM MC 3-4	
10	301001229	1	Rækkelemme 3X4 Qmm	
11	64579	1	Kontakt stjerne/trekant	
11A	3389	2	CYLINDER SCREW M4X20 ISO 1207 ZN	
12	107142551	1	LABEL 230-400V CHANGE-OVER 74X28	
13	64580	1	ROTARY KNOB	[2]
15	107142552	1	POWER CORD - H07RN-F 3G1.5X6M. CEE 7 1 P	[3]
16	107142553	1	POWER CORD - H07RN-F 4G1.5X6M. CEE 5 3 P	[4]
17	107142554	1	POWER CORD - H07RN-F 4G1.5X6M. Y/D 3PH	[5]
18	107142555	1	POWER CORD H07RN-F 3G1.5X6M BS1363 1PH	[6]
19	107142556	1	POWER CORD H07RN-F 3G1.5X6M SABS 164 1	[7]
20	107142557	1	POWER CORD H07RN-F 3G1.5X6M AS 3112 1P	[8]
21	107142558	1	POWER CORD H07RN-F 3G1.5X6M NBR 14136	[9]
22	64773	1	Hjælpekontakt	
23	301000074	1	Modstand 470 Ohm 3W	
24	107142559	1	FASTON TAB TERMINAL DOUBLE STUD 45°	
25	107141838	1	SCREW K50X18 WN1451 BLACK TORX20	
26	107142564	1	FUSE CAP ETA TYPE X 200 801 08 (UNITOR)	[10]
27	107142548	1	FUSE 16 AMPS TYPE 2-5700-IG2-P10-DD-16A	[10]

Part Notes:

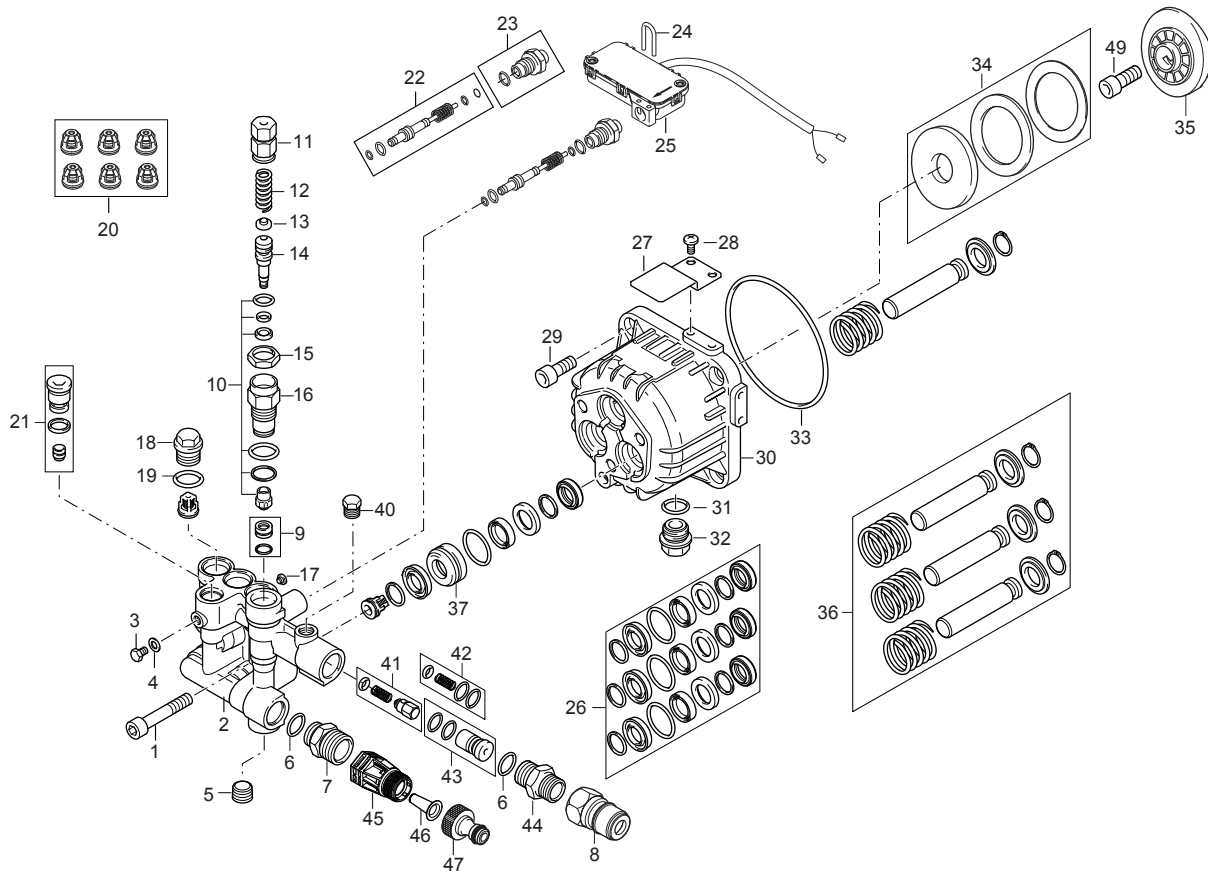
- [1] - UNITOR HPC 3C - 150/660
- [2] - TSB-PPW-2016-007 Rotary knob for Voltage selector switch 230V-400V must be sealed with lacquer
DE TSB-PPW-2016-007 Drehknopf des Spannungsauswahlschalters 230V-400V muss mit Lack versiegelt werden
- [3] - MC 4M-140/620 EU, MC 3C-140/660 EU
- [4] - MC 3C-160/770 , MC 4M-180/740, MC 4M-160/720
- [5] - MC 3C-170/820, MC 4M-180/740, MC 4M-160/720
- [6] - MC 4M-100/770, MC 4M-140/620, MC 3C-150/570, MC 3C-140/570
- [7] - MC 4M-160/620 (ZA)
- [8] - MC 4M-160/620 (AU)
- [9] - 220/1/60 (BR)
- [10] - UNITOR



Pos.	Vare-nr	Antal	Beskrivelse	Notes
0	107142623	1	10 PCS CARD BOX NILFISK MC 3C - MC 4M	
1	107142500	1	HANDLE MC 3-4	
2	909100425	4	Skruer	
3	107142536	1	HOSE REEL MC 3-4	
4	107142501	1	HOSE HOOK MC 3-4	
5	107142502	2	ALU PROFILE 25X35 MC 3-4	
6	107142503	1	CHASSIS MC 3-4	
7	107142504	1	Holder til skumsprayer	
8	107141635	1	Flaske til rengøringsmiddel 2,5 liter	
8A	107141664	1	CAP FOR DETERG. TANK WITH VALVE MOUNTED	[1]
9	107142505	1	Holder til 2,5 liter dunk	
10	107142507	1	CABLE HOOK MC 3-4	
11	107142509	1	CABLE CLAMP MC 3-4	
12	301002304	1	Axle 15X1,5	
13	909100426	2	Washer 16 Din34815 Pa	
14	107142510	2	WHEEL 250x55	
15	11710	2	Låsering	
16	107142511	2	WHEEL CAP F. WHEEL 250X55 NILFISK	
17	107142515	1	Hjulskærm højre MC 3-4	
18	107142517	1	HANDLE - ALU BAR	
19	301002301	2	FOOT POSEIDON 3	
20	107142518	1	WHEEL CABINET LEFT MC 3-4	
21	107142520	1	CABINET E-BOX MC 3-4	
22	301000584	2	Lås For Topkabinet	
23	107142522	1	CABINET MC 3C	
24	107142525	1	FAN CAP	
25	107141838	10	SCREW K50X18 WN1451 BLACK TORX20	

Part Notes:

[1] - PRUNED



Pos.	Vare-nr	Antal	Beskrivelse	Notes
1	31000942	1	SCREW M8x45	
2	31000943	1	PUMP HEAD	
3	301003035	1	SCREW M6	
4	31000944	2	WASHER	
5	31000645	1	PLUG 1/4 INCH G	
6	31000945	1	O-RING D14x2	
7	31000946	1	FITTING 1/2INCH G M - 3/8INCH G M	
8	1600493	1	Ergo højtryksskobling DN10 3/8" han	
9	31000930	1	VALVE SEAT KIT	
10	31000929	1	GASKET KIT FOR UNLOADER	
11	31000947	1	SCREW	
12	31000649	1	SPRING 10.62X6.08X2.8	
13	31000630	1	SPRING PLATE	
14	31000948	1	PISTON	
15	31000949	1	NUT	
16	31000950	1	PISTON GUIDE	
17	31000951	1	PLUG	
18	31000952	1	PLUG	
19	31000953	1	O-RING D13.5x1.8	
20	31000937	1	INLET & OUTLET VALVE KIT	
21	31000927	1	PLUG KIT	
22	31000986	1	PISTON KIT FOR MICROSWITCH	
23	31000987	1	Fitting kit til microswitch	
24	31000954	1	CLAMP FOR SWITCHBOX	
25	31000955	1	SWITCHBOX ASSEMBLY	
26	31000935	3	GASKET KIT	
27	31000956	1	SUPPORT	
28	31000957	1	SCREW 5x10 UNI 8110	
29	301003063	1	SCREW M5X25 UNI 5931	
30	31000958	1	PUMP BODY	
31	31000597	1	O-RING Ø14X1.78	
32	31000959	1	PLUG 3/8INCH G PLASTIC	
33	31001001	1	O-RING Ø92X3	
34	31000936	1	BEARING KIT	
35	31000960	1	WOBBLE DISC 12 DEG	[1]
35	31000961	1	WOBBLE DISC 14 DEG	[2]
36	31000938	1	PISTON KIT D14	
37	31000968	1	PISTON GUIDE D14	
40	31000966	1	PLUG	
41	31000932	1	PRESSURE VALVE KIT	
42	31000941	1	KIT FOR INJECTOR	
43	31000933	2	INJECTOR ALTO	
44	31000969	1	FITTING 3/8INCH GM - 3/8INCH G M	
45	107142566	1	WATER INLET TUBE	
46	101117926	1	Filter	
47	1402809	1	Lynkoblingsstud	
49	1803337	1	Insex M8X25	
49	1812296	1	SCREW M8X25 STAINLESS	

Part Notes:

[1] - MC 3C-170/820 220-440/3/60

[2] - MC 3C-160/770 400/3/50 - MC 3C-170/820 400/3/50 - MC 3C-170/820 400/3/50 XT - MC 3C-170/820 230-400/3/50 XT NO

Pos.	Vare-nr	Antal	Beskrivelse	Notes
A	31000630		SPRING PLATE	
A	31000649		SPRING 10.62X6.08X2.8	
A	31000928		EASY START KIT	
A	31000929		GASKET KIT FOR UNLOADER	
A	31000932		PRESSURE VALVE KIT	
A	31000933		INJECTOR ALTO	
A	31000935		GASKET KIT	
A	31000937		INLET & OUTLET VALVE KIT	
A	31000941		KIT FOR INJECTOR	
A	31000948		PISTON	
A	31000968		PISTON GUIDE D14	
A	31001001		O-RING Ø92X3	
A	65466		Packing Ring 8X15X1	
A	3004321		O-ring	
A	107142541		CONNECTION HOSE DN8 F. HOSE REEL MC 3-4	
A	107142542		Højtryksslange 15 m enkelt-wire DN6	
A	107142548		FUSE 16 AMPS TYPE 2-5700-IG2-P10-DD-16A	
A	301002322		Sikring 16A	
A	301003078		Oil Seal	
B	4029		O-RING 18.0X2.5 DIN 3770 NBR70	[1]
B	31000597		O-RING Ø14X1.78	
B	31000986		PISTON KIT FOR MICROSWITCH	
B	31000987		Fitting kit til microswitch	
B	31000955		SWITCHBOX ASSEMBLY	
B	31000959		PLUG 3/8INCH G PLASTIC	
B	107145038		FAN INCL. SEAL V-RING	
C	2753		Skruer	
C	31000927		PLUG KIT	
C	31000936		BEARING KIT	
C	31000938		PISTON KIT D14	
C	31000960		WOBBLE DISC 12 DEG	
C	31000961		WOBBLE DISC 14 DEG	
C	31000962		WOBBLE DISC 10 DEG	
C	31000963		WOBBLE DISC 11.5 DEG	
C	31000964		WOBBLE DISC 9.5 DEG	
C	31000965		WOBBLE DISC 9 DEG	
C	107142544		NUT M8 X D17 X L31 INT. HEX 8	
C	301003080		Leje, 6205 Zz	
C	103822300		Contact.Cjx2 D-12-V7 400V	
C	103822303		Contact.Cjx2-D18-V7 400	
C	301001058		Start/stop kontakt	
C	301002320		Kondensator	
C	301003079		BEARING 7305	

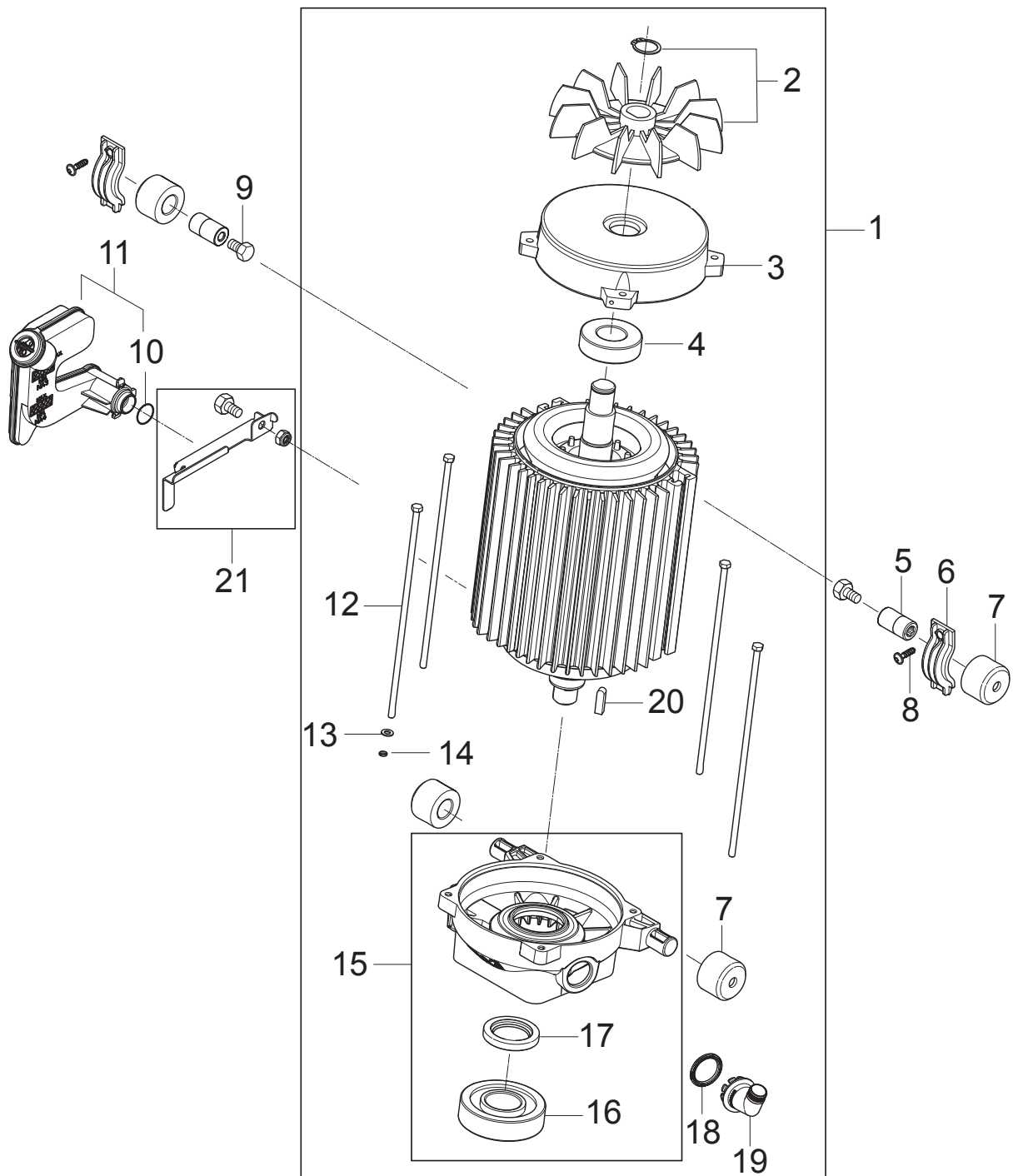
Part Notes:

[1] - GUARANTEE DATE EXPIRED

Pos.	Vare-nr	Antal	Beskrivelse	Notes
1	106403122	1	Ergo 2000 spulehåndtag m. svivel	[1]
2	301002275	1	Højtryksslange 10 m enkelt-wire DN6	[2]
2	107142542	1	Højtryksslange 15 m enkelt-wire DN6	[3]
3	107142576	1	HP-NOZZLE 1/8-27NPT MEG 25034	[4]
3	107142579	1	Standard-dyse 25° 1/8" 25045	[5]
3	106402282	1	FlexoPower Plus dyserør u. dyse 96 cm	[6]
3	106403011	1	Tornado Plus dyserør u. dyse 100 cm	[7]
3	106403035	1	Universal Plus dyserør u. dyse 108 cm	[8]
3	101119735	1	Tornado Plus dyse 1/8" 0340 Violet	[9]
3	101119737	1	Tornado Plus dyse 1/8" 0370 Bronze	[10]
3	101119738	1	Tornado Plus dyse 1/8" 0400 Metalgrå	[11]
3	101119739	1	Tornado Plus dyse 1/8" 0435 Blå	[12]
4	106408250	1	4-i-1 dyserør m. 0340 dyse Violet	[13]
4	106408261	1	4-IN-1 LANCE INCL 0370 ALU HEAD W/O LOGO	
4	106408252	1	4-i-1 dyserør m. 0370 dyse Bronze	[14]
4	106408254	1	4-i-1 dyserør m. 0435 dyse Blå	[15]
5	107145803	1	Slangerulle	
	32541	1	Gardena kobling, indiv. gevind, 3/4"	[16]
	61369	1	Universal messing-kobling 3/4" han	[17]

Part Notes:

- [1] - ERGO 2000 Spray handle
- [2] - Without hose reel
- [3] - X-TRA (with hose reel)
- [4] - MC 3C-140/570 230/1/50/13
- [5] - MC 3C-160/770 400/3/50 EU
- [6] - FLEXOPOWER PLUS lance
- [7] - TORNADO PLUS lance
- [8] - UNIVERSAL PLUS lance
- [9] - MC 3C 150/570
- [10] - MC 3C 140/660, MC 3C 150/660
- [11] - MC 3C 130/660
- [12] - MC 3C 170/820
- [13] - MC 3C 150/570
4 in1 Nozzle
- [14] - MC 3C 150/660
4 in1 Nozzle
- [15] - MC 3C 170/820
4 in1 Nozzle
- [16] - 106404529
- [17] - UNITOR



Pos.	Vare-nr	Antal	Beskrivelse	Notes
0	31001082	1	Olie ROTRA MP 80W-90 1L	[1]
1	31001003	1	MOTOR NA3 - 2.5KW/230V/50HZ/1PH	[2]
1	31001004	1	MOTOR NA3 - 2.5KW/220V/60HZ/1PH	[3]
1	31001005	1	MOTOR NA3 - 3.6KW/230/400V/50HZ/3PH	[4]
2	107145038	1	FAN INCL. SEAL V-RING	
3	107145037	1	N-BEARING COVER	
4	301003080	1	Leje, 6205 Zz	
5	107142544	2	NUT M8 X D17 X L31 INT. HEX 8	
6	301002296	2	Bracket 2	
7	107142545	4	SUSPENSION D35 X D17 X L25	
8	107141838	2	SCREW K50X18 WN1451 BLACK TORX20	
9	2753	2	Skrue	
10	107142589	1	SEAL ID 16.7XOD 21.2XW 5 NBR 70 SHORE A	
11	107142546	1	OIL CONTAINER MC 3-4	[5]
12	31000923	4	STAY BOLT M5X200	
13	31000918	4	WASHER D5.5XD10 GB/T97.1 ISO7089	
14	31000919	4	LOCK RING D5.1XD7.7 GB/T93 DIN127	
15	31000926	1	D-BEARING COVER P3 INCL SEAL AND BEARING	
16	31001028	1	BEARING 7306	
17	301003078	1	Oil Seal	
18	31000921	1	SEAL ID 23.4XOD 31 D 2/3.5	
19	31000922	1	CABLE GLAND 23.5 SNAPON 110 DEG	
20	101814798	1	KEY 6 X 6 X 20 MM FOR POSEIDON 4	
21	107142617	1	BRACKET OIL CONTAINER NA3-NA4 CPL.	[6]

Part Notes:

- [1] - TSB-PPW-2016-016 MC 3C_MC 4M_MH 3M Pump oil no stock
DE TSB-PPW-2016-016 MC 3C MC 4M MH 3M Pumpenöl nicht verfügbar
0,42L - OIL TYPES_QUANTITY for HPW_APRIL 2017
- [2] - MPU ALTO SWEDEN 3C - 130/660 230/1/50/13 - MC 3C-140/660 230/1/50/16 - MC 3C-150/660 230/1/50/16 - MC 3C-150/660 230/1/50/16 XT EU - MC 3C-150/570 230/1/50/13 XT UK, MC 3C-140/157
- [3] - MC 3C-140/660 220/1/60/15 EXPT - UNITOR HPC 30/1 3C - 150/660 220/1/60/16
- [4] - MC 3C-160/770 400/3/50 - MC 3C-170/820 400/3/50 - MC 3C-170/820 400/3/50 XT - MC 3C-170/820 230-400/3/50 XT NO - MC 3C-170/820 220-440/3/60
- [5] - TSB-PPW-2015-007 MC 3C MC 4M, Oil Container leaking oil at O-ring seal
DE TSB-PPW-2015-007 MC 3C und MC 4M, Öl Behälter Leckage bei dem O-Ring
- [6] - US

