

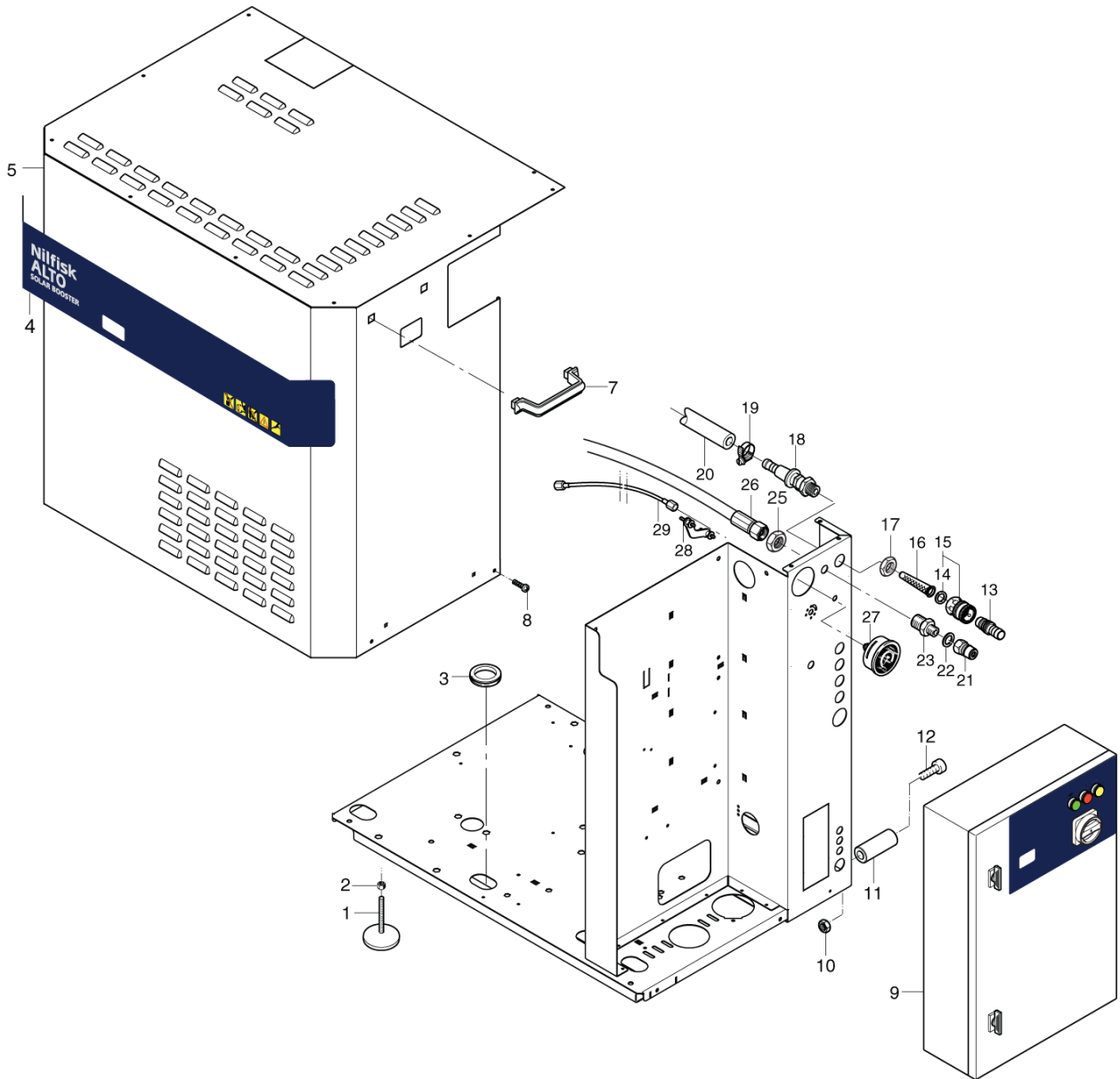
PARTS LIST



2017.05.29

TABLE OF CONTENTS

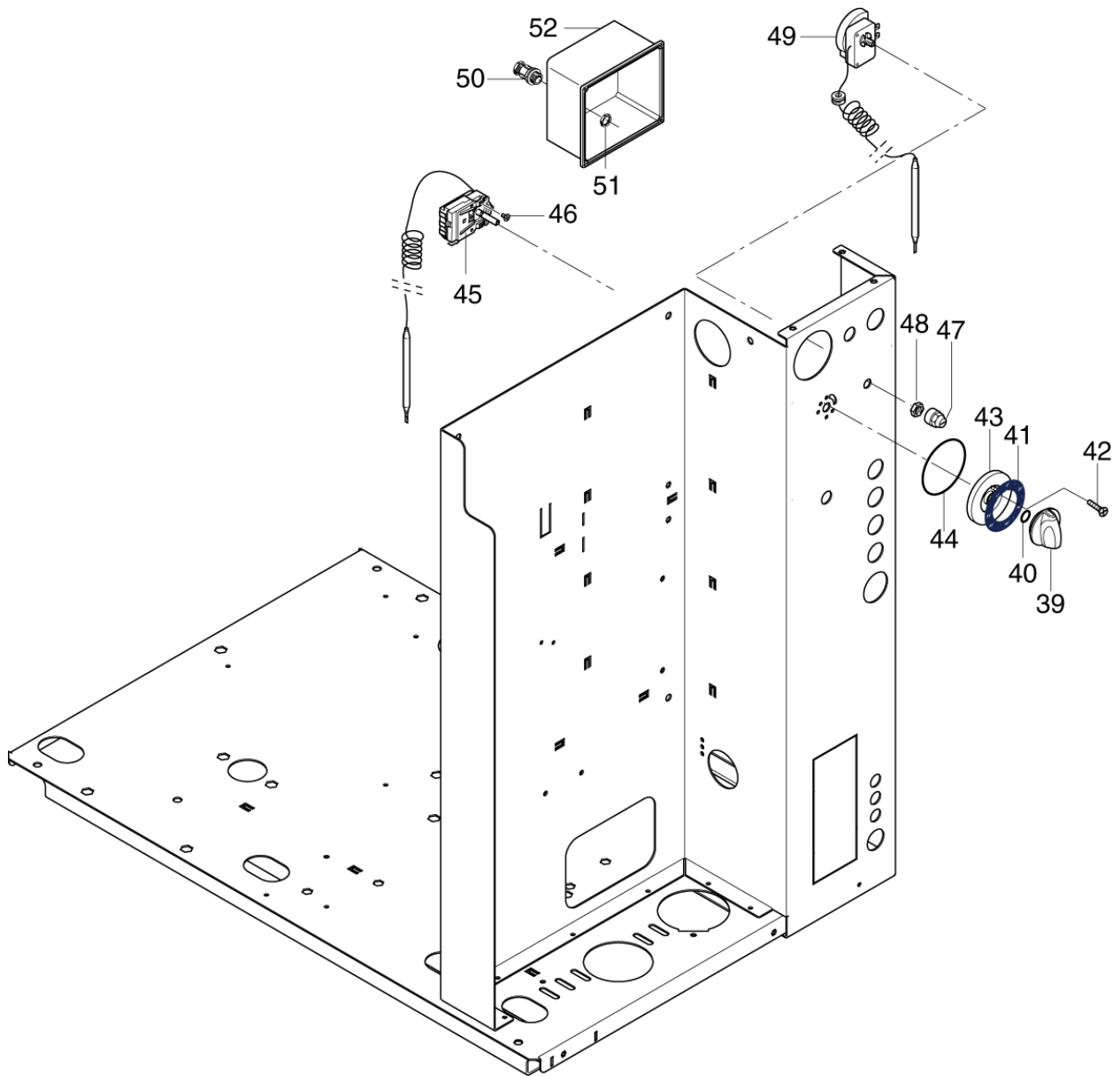
| | |
|--|----|
| Overview 1 | 1 |
| Overview 2 | 3 |
| Electrical components 36H, 54H | 5 |
| Electrical components 18H | 8 |
| Unloader 7 (a) | 10 |
| Unloader 7 (b) | 12 |
| Connection plate 7 | 14 |
| Cylinder block 7 | 16 |
| Motor 7 | 18 |
| Heating tank | 21 |
| Default accessories | 23 |
| OPTION Multiply machine connection box | 25 |
| OPTION Water inlet security | 27 |
| OPTION Automatic pressure release | 29 |
| OPTION No-scale | 31 |
| OPTION Remote control | 33 |
| OPTION 1x Detergent electric | 35 |
| OPTION 2x Detergent electric | 37 |
| OPTION 1x Manuel detergent - 5 and 7 | 39 |
| Recommended spare parts | 41 |



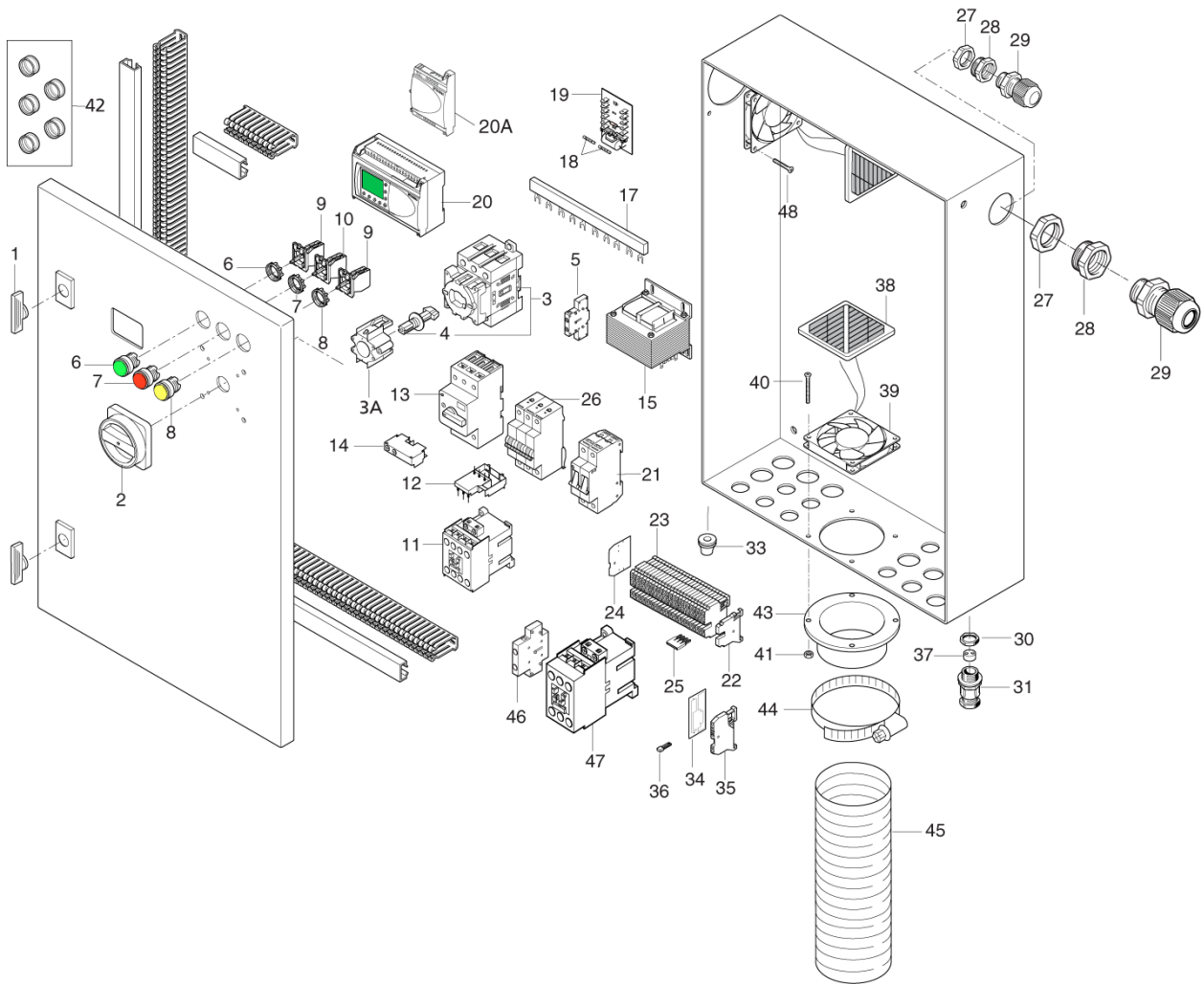
| Pos. | Vare-nr | Antal | Beskrivelse | Notes |
|------|-----------|-------|-----------------------------------|-------|
| 01 | 104601172 | 4 | Supporting Block Ø60 M12X 70 | |
| 02 | 1810068 | 4 | NUT M12 | |
| 03 | 103004331 | 5 | SLEEVE PVC 45/ 60 | |
| 04 | 107319001 | 1 | Front Label Solar Booster | |
| 05 | 107318078 | 1 | Kabinet | |
| 07 | 107318079 | 1 | HANDLE FOR CABINET | |
| 08 | 101814686 | 5 | Screw M5X16 | [1] |
| 09 | | 1 | El-box | [2] |
| 10 | 1801905 | 3 | Møtrik M8 | |
| 11 | 107318080 | 3 | SPACER | |
| 12 | 1812296 | 3 | SCREW M8X25 STAINLESS | |
| 13 | 1600659 | 1 | KEW kobling slange-ende 3/4" han | |
| 14 | 3001237 | 1 | Pakning Ø24,5Xø16X3 | |
| 15 | 1602945 | 1 | KEW kobling, indiv. gevind 3/4" | |
| 16 | 6100941 | 1 | Filter | |
| 17 | 1800341 | 1 | "Kontramøtrik 3/4"" " | |
| 18 | 6100937 | 1 | Filterhus | |
| 19 | 1810191 | 2 | Spændebånd 13-27 A4 (SS) | |
| 20 | 107318087 | 1 | Slange 5/8 2M | |
| 21 | 1603101 | 1 | Ergo højtryksskobling DN10 RF han | |
| 22 | 1801075 | 1 | Tætningskive 3/8" | |
| 23 | 6200484 | 1 | Skotforskrining | |
| 24 | 1810076 | 1 | TOOTHED WASHER J M18 | |
| 25 | 1803220 | 1 | Kontramøtrik M18X1,5 | |
| 26 | 107318088 | 1 | HIGH PRESSURE HOSE DN8 | |
| 27 | 3600301 | 1 | Manometer | |
| 28 | 1808088 | 1 | Spændestykke F. Manometer | |
| 29 | 102406647 | 1 | Slange | |

Part Notes:

- [1] - STOCK COVERS GUARANTEE
- [2] - El-box
See Electric parts 18Hor Electric parts 36H, 54H



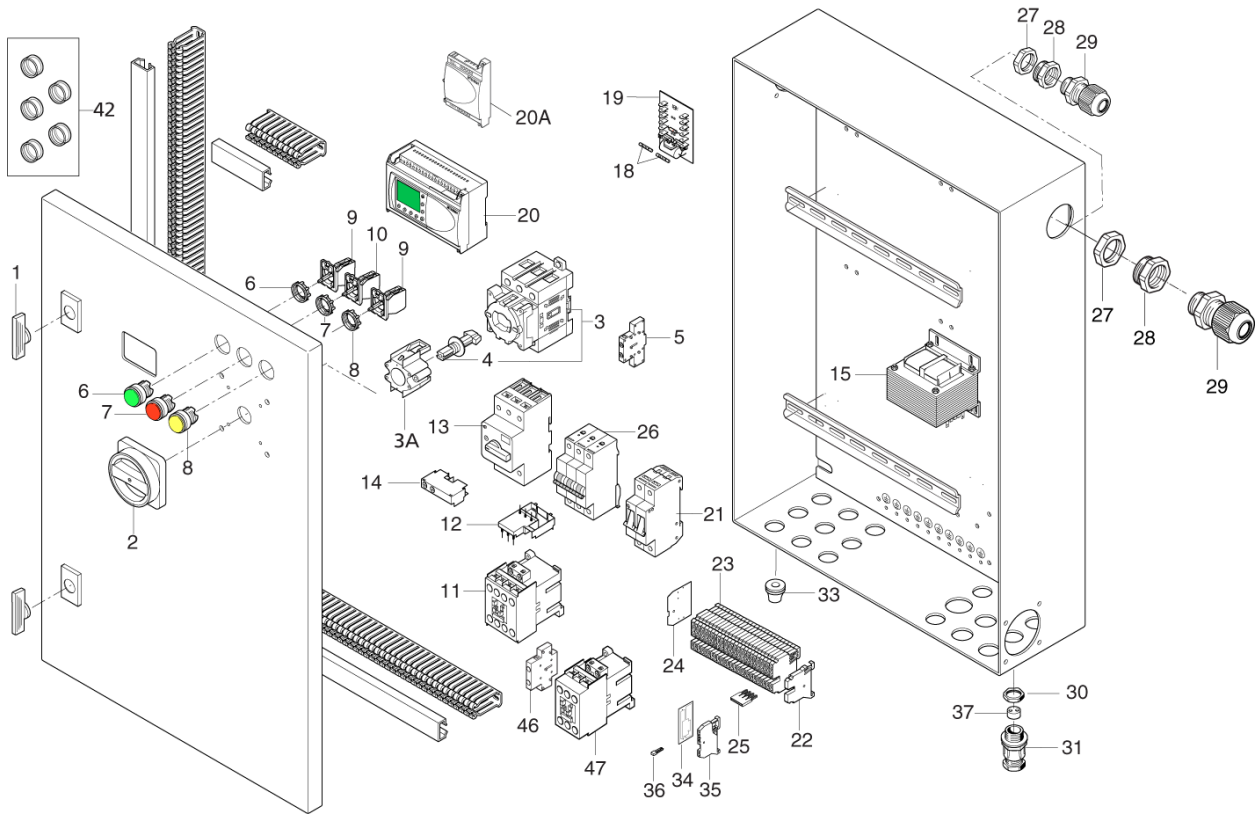
| Pos. | Vare-nr | Antal | Beskrivelse | Notes |
|------|-----------|-------|-------------------------------|-------|
| 39 | 909100204 | 1 | Drejeknap | |
| 40 | 9868 | 1 | O-ring 10.0X2.5 | |
| 41 | 107319071 | 1 | LABEL TEMP. SCALA E18H | |
| 42 | 1801612 | 2 | Maskinskrue M4X6 | |
| 43 | 107313045 | 1 | Sokkel For Drejeknap (Ter Mo) | |
| 44 | 3001443 | 1 | O-RING 60.0X2.62 NITRIL 70SH | |
| 45 | 107318150 | 1 | Termostat 0-85 | |
| 46 | 1801612 | 2 | Maskinskrue M4X6 | |
| 47 | 34970 | 1 | CAP | |
| 48 | 47313 | 1 | NUT M10X1X3 | |
| 49 | 103822046 | 1 | Sikkerh.Termostat 97/1750 | |
| 50 | 103821788 | 1 | CABLE BUSHING | |
| 51 | 103821789 | 1 | NUT M12X1.5 PA | |
| 52 | 107318085 | 1 | COVER FOR EL-BOX SOLAR E | |



| Pos. | Vare-nr | Antal | Beskrivelse | Notes |
|------|-----------|-------|------------------------------------|-------|
| 01 | 103821959 | 2 | Key | |
| 02 | 3830121 | 1 | Greb for hovedafbryder | |
| 03 | 103821895 | 1 | Kontakt, 100A | |
| 03 | 103821908 | 1 | MAIN SWITCH 63A | |
| 03A | 103821907 | 3 | SHAFT FOR MAIN SWITCH 194L-G2853 | |
| 04 | 103821961 | 1 | Aksel For Kontakt, 100A | |
| 05 | 107318225 | 1 | AUXILIARY CONTACT 194E-A-PD10 | |
| 06 | 103821823 | 1 | Lampekontakt, Grøn | |
| 07 | 103821824 | 1 | Signal Light Atteachment, Red | |
| 08 | 103821900 | 1 | SIGNAL LIGHT ATTACHMENT YELLOW | |
| 09 | 103821825 | 2 | Lampekontakt, Krop-Slutte | |
| 10 | 103821826 | 1 | Lampekontakt, Krop-Bryde | |
| 11 | 103822317 | 1 | Contactoer Cjx2-D32-B7 24V | |
| 11 | 103822306 | 1 | Contactoer Cjx2-D18-B7 24V | |
| 12 | 103821899 | 1 | CONNECTION MODUL 16/23AMP | |
| 13 | 103821898 | 1 | Relæ, 10-16A | [1] |
| 13 | 3817319 | 1 | Maximalafbryder 3-25-16 | [2] |
| 14 | 103821929 | 1 | AUXILIARY CONTACT 140M-C-AFA01 | |
| 15 | 103821847 | 1 | CONTROL TRANSFORMER 230V 24/19 | |
| 15 | 103821846 | 1 | Sikkerhedstranf. 400V | |
| 17 | 107318106 | 1 | JUMPER RAIL 9-MODULE | [3] |
| 17 | 107318105 | 1 | JUMPER RAIL 6-MODULE | [4] |
| 18 | 3812385 | 2 | Sikring Ø5X20 | |
| 19 | 106420051 | 1 | Circuit Board | |
| 20 | 106426055 | 1 | PLC M/ALTO-PROGRAM SOLAR E | |
| 20A | 103821948 | 1 | EXPANDER AL2-4EYR | |
| 21 | 103821905 | 1 | SAFETY DEVICE 2 POL 6A | |
| 22 | 103821922 | 6 | DIN-END STOP WO/SCREW WAGO 249-116 | |
| 23 | 103821920 | 27 | WIRE TERMINAL | |
| 24 | 103821921 | 1 | END PLATE | |
| 25 | 103821924 | 2 | JUMPER 4-POL. | |
| 26 | 107318096 | 3 | SAFETY DEVICE 3P 32A 10KA | [5] |
| 27 | 103821842 | 1 | Møtrik M40X1.5 | |
| 27 | 103821832 | 1 | NUT M25X1.5 PA/L GREY | [6] |
| 28 | 103821874 | 1 | REDUCTION M40/M25 | |
| 29 | 103821872 | 1 | CABLE BUSHING M40X1.5 | [6] |
| 29 | 103821831 | 1 | Kabelbøsning | |
| 30 | 103821778 | 4 | NUT M20X1.5 | |
| 31 | 103821785 | 4 | CABLE BUSHING | |
| 33 | 3803780 | 9 | Pakdåse Tet 10-14C | |
| 34 | 103821968 | 1 | Endeplade Wago 4Q | |
| 35 | 103821967 | 6 | WIRE TERMINAL WAGO281 800V 4MM2 | |
| 36 | 103821969 | 2 | Laske Wago 4Q | |
| 37 | 103821942 | 1 | INSERT 2X4 | |
| 37 | 103821946 | 1 | INSERT 3X6.5 | |
| 38 | 107318098 | 2 | Filter Cover For Fan | |
| 39 | 107318099 | 2 | Fan 80X80X20 24V | |
| 40 | 107318103 | 4 | SCREW M4X40 DIN965-A | |
| 41 | 1800127 | 8 | Låsemøtrik M4 | |
| 42 | 107318028 | 1 | Protection Cover 5 Pcs. | |
| 43 | 107318100 | 1 | Flange For EI-Box | |
| 44 | 107318102 | 1 | Hose Clamp 71-95 Mm | |
| 45 | 107318101 | 1 | Flexible Hos Ø90 L 250 Mm | |
| 46 | 3821748 | 1 | Hjælpekontakt Ab 100-Sb10 | [2] |
| 47 | 103822317 | 3 | Contactoer Cjx2-D32-B7 24V | [5] |
| 48 | 107318083 | 4 | SCREW M4X35 DIN965-A 4X | |

Part Notes:

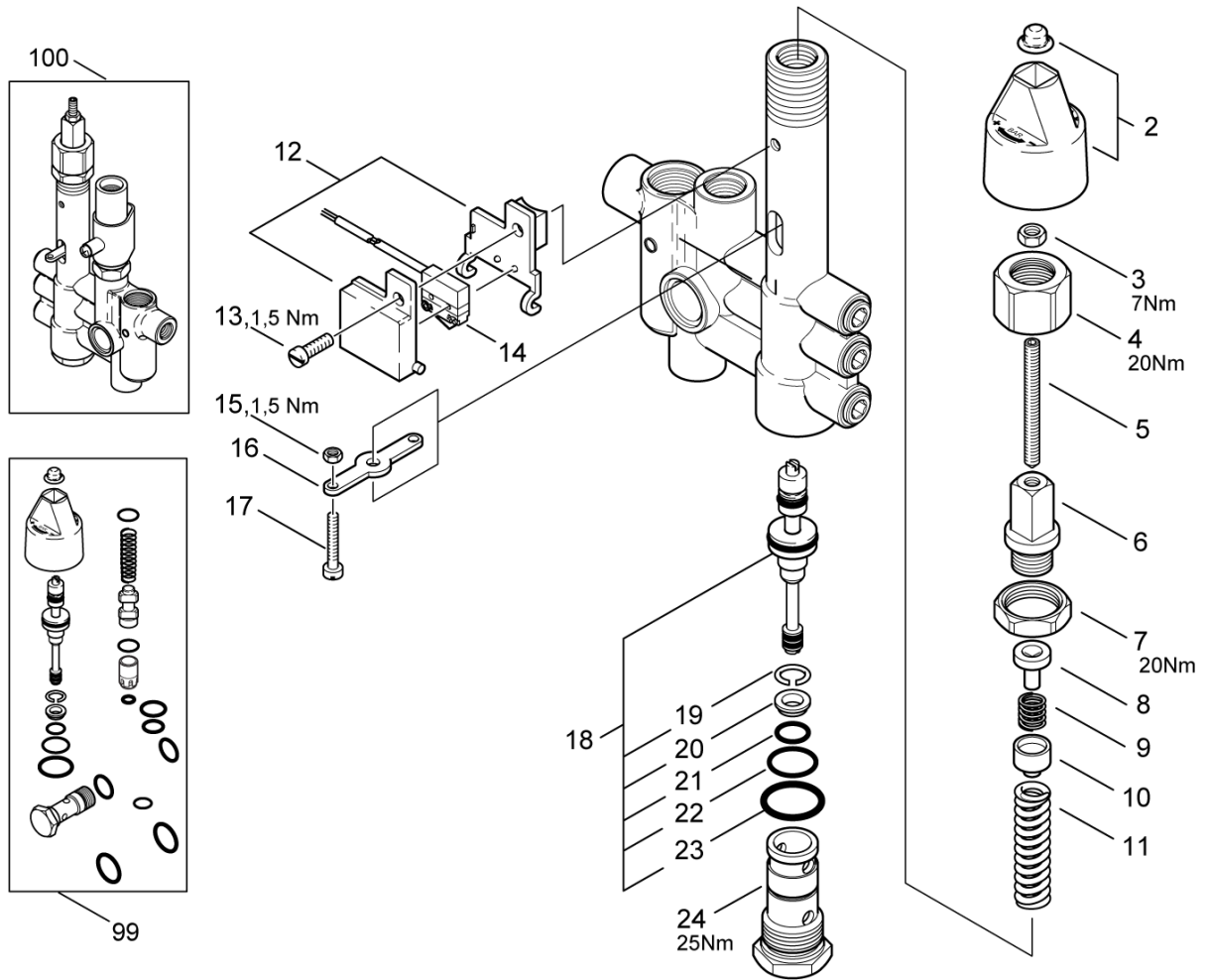
- [1] - From week 34 2009
- [2] - Up to week 34 2009
- [3] - 54H
- [4] - 36H
- [5] - 2 pcs. 36H, 3 pcs. 54H
- [6] - OPTION



| Pos. | Vare-nr | Antal | Beskrivelse | Notes |
|------|-----------|-------|------------------------------------|-------|
| 01 | 103821959 | 1 | Key | |
| 02 | 3830121 | 1 | Greb for hovedafbryder | |
| 03 | 103821908 | 1 | MAIN SWITCH 63A | |
| 03A | 103821907 | 3 | SHAFT FOR MAIN SWITCH 194L-G2853 | |
| 04 | 103821961 | 1 | Aksel For Kontakt, 100A | |
| 05 | 107318225 | 1 | AUXILIARY CONTACT 194E-A-PD10 | |
| 06 | 103821823 | 1 | Lampekontakt, Grøn | |
| 07 | 103821824 | 1 | Signal Light Atteachment, Red | |
| 08 | 103821900 | 1 | SIGNAL LIGHT ATTACHMENT YELLOW | |
| 09 | 103821825 | 1 | Lampekontakt, Krop-Slutte | |
| 10 | 103821826 | 1 | Lampekontakt, Krop-Bryde | |
| 11 | 103822317 | 1 | Contactora Cjx2-D32-B7 24V | |
| 11 | 103822306 | 1 | Contactora Cjx2-D18-B7 24V | |
| 12 | 103821899 | 1 | CONNECTION MODUL 16/23AMP | |
| 13 | 103821898 | 1 | Relæ, 10-16A | [1] |
| 13 | 3817319 | 1 | Maximalafbryder 3-25-16 | [2] |
| 14 | 103821929 | 1 | AUXILIARY CONTACT 140M-C-AFA01 | |
| 15 | 103821846 | 1 | Sikkerhedstranf. 400V | |
| 18 | 3812385 | 1 | Sikring Ø5X20 | |
| 19 | 106420051 | 1 | Circuit Board | |
| 20 | 106426055 | 1 | PLC M/ALTO-PROGRAM SOLAR E | |
| 20A | 103821948 | 1 | EXPANDER AL2-4EYR | |
| 21 | 103821905 | 1 | SAFETY DEVICE 2 POL 6A | |
| 22 | 103821922 | 6 | DIN-END STOP WO/SCREW WAGO 249-116 | |
| 23 | 103821920 | 27 | WIRE TERMINAL | |
| 24 | 103821921 | 1 | END PLATE | |
| 25 | 103821924 | 2 | JUMPER 4-POL. | |
| 26 | 107318096 | 1 | SAFETY DEVICE 3P 32A 10KA | |
| 27 | 103821832 | 1 | NUT M25X1.5 PA/L GREY | [3] |
| 27 | 103821842 | 1 | Møtrik M40X1,5 | |
| 28 | 103821874 | 1 | REDUCTION M40/M25 | |
| 29 | 103821831 | 1 | Kabelbøsning | |
| 29 | 103821872 | 1 | CABLE BUSHING M40X1.5 | [3] |
| 30 | 103821778 | 4 | NUT M20X1.5 | |
| 31 | 103821785 | 4 | CABLE BUSHING | |
| 33 | 3803780 | 9 | Pakdåse Tet 10-14C | |
| 34 | 103821968 | 1 | Endeplade Wago 4Q | |
| 35 | 103821967 | 6 | WIRE TERMINAL WAGO281 800V 4MM2 | |
| 36 | 103821969 | 2 | Laske Wago 4Q | |
| 37 | 103821942 | 1 | INSERT 2X4 | |
| 37 | 103821946 | 1 | INSERT 3X6.5 | |
| 42 | 107318028 | 1 | Protection Cover 5 Pcs. | |
| 46 | 3821748 | 1 | Hjælpekontakt Ab 100-Sb10 | [2] |
| 47 | 103822317 | 1 | Contactora Cjx2-D32-B7 24V | |

Part Notes:

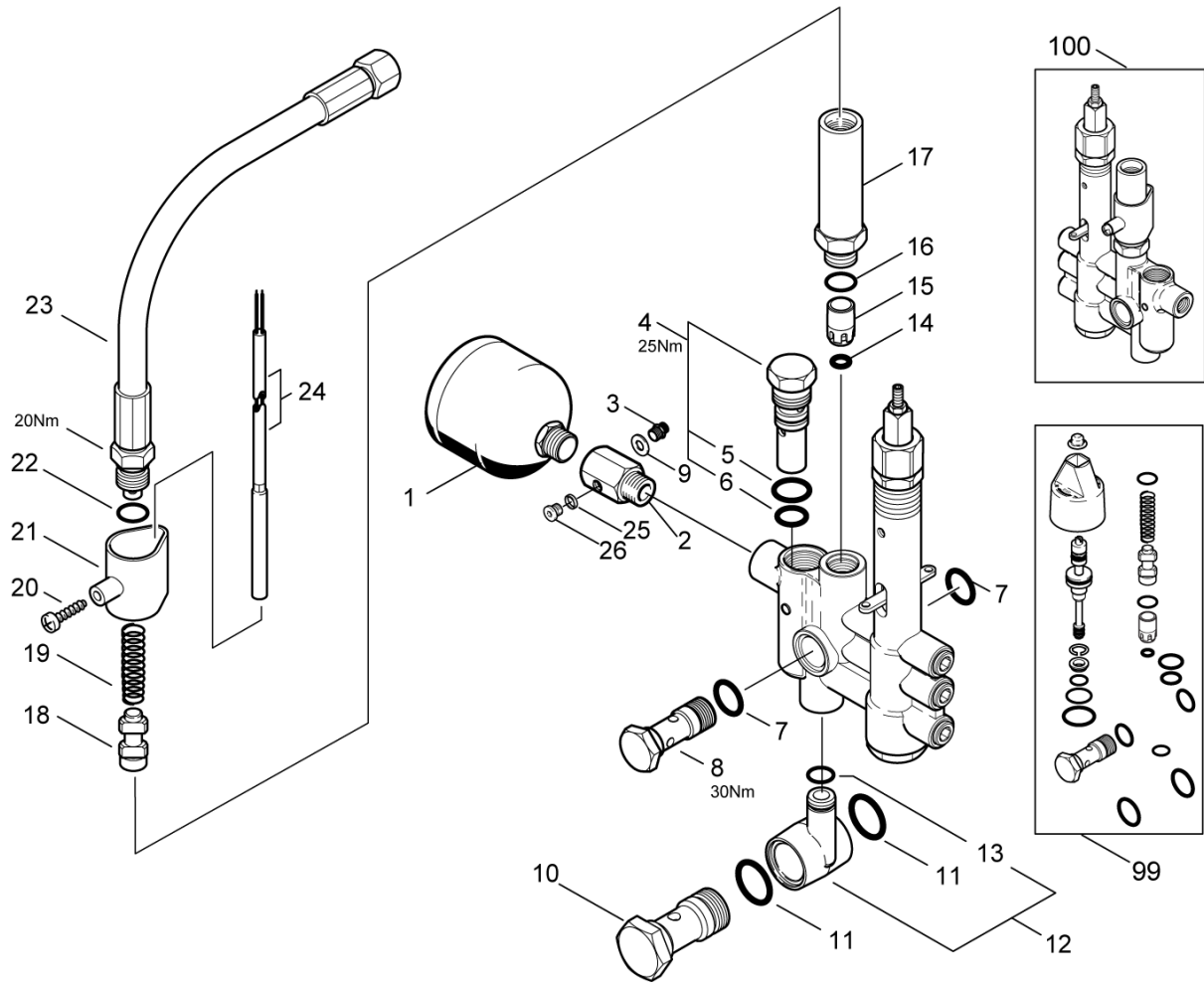
- [1] - From week 34 2009
- [2] - Up to week 34 2009
- [3] - OPTION



| Pos. | Vare-nr | Antal | Beskrivelse | Notes |
|------|-----------|-------|--------------------------------|-------|
| 02 | 62397 | 1 | Drejeknap | [1] |
| 03 | 3136 | 1 | Møtrik | [2] |
| 04 | 62710 | 1 | Omløber | [2] |
| 05 | 62711 | 1 | Gevindstift | [2] |
| 06 | 62712 | 1 | Justerskrue | [2] |
| 07 | 62696 | 1 | Møtrik | [2] |
| 08 | 62695 | 1 | Fjederstyr | [2] |
| 09 | 62713 | 1 | Fjeder | [2] |
| 10 | 62694 | 1 | Sæde | [2] |
| 100 | 301000903 | 1 | Omløbsventil Kompl. 3Ph | [3] |
| 11 | 40972 | 1 | Fjeder | [2] |
| 12 | 62401 | 1 | Hus til microswitch | |
| 13 | 3349 | 1 | Skruer | |
| 14 | 301000731 | 1 | Mikrokontakt | |
| 15 | 2759 | 1 | Møtrik M8 | |
| 16 | 62717 | 1 | Kontaktbeslag | [2] |
| 17 | 101117739 | 1 | SCREW HEX M4X22-8.8 A2K DIN912 | |
| 18 | 64314 | 1 | Reparationskit ventilstempel | [4] |
| 19 | 909100001 | 1 | Låsering | [4] |
| 20 | 62708 | 1 | Ventilsæde | [4] |
| 21 | 49461 | 1 | O-Ring | [4] |
| 22 | 9523 | 1 | O-Ring | [4] |
| 23 | 32091 | 1 | O-Ring | [4] |
| 24 | 64301 | 1 | Banjo Bolt | [2] |
| 99 | 301001195 | 1 | Rep. Sæt Omløbsventil | [5] |
| 99 | 63056 | 1 | Rep.Sæt Omløbsventil | [6] |

Part Notes:

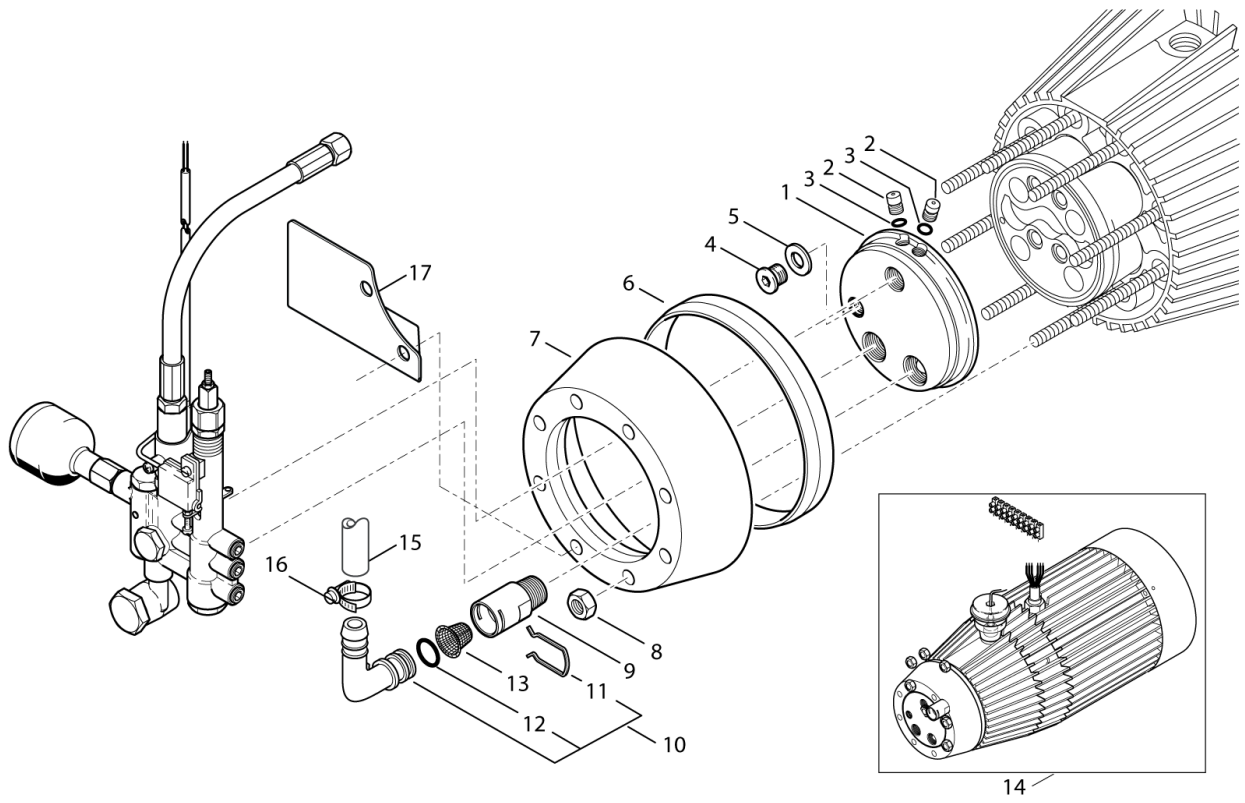
- [1] - part of pos. 99
- [2] - part of pos. 100
- [3] - 250BAR
- [4] - part of pos. 99 and 100
- [5] - 51, 57
- [6] - 37



| Pos. | Vare-nr | Antal | Beskrivelse | Notes |
|------|-----------|-------|-------------------------------|-------|
| 01 | 63090 | 1 | Trykudligner | |
| 02 | 107312001 | 1 | Socket | |
| 03 | 1821 | 1 | Fitting | |
| 04 | 301000911 | 1 | Sikkerhedsventil | [1] |
| 04 | 62730 | 1 | Sikkerhedsventil 200Bar | [2] |
| 05 | 16443 | 1 | O-ring | [3] |
| 06 | 62706 | 1 | O-Ring | [3] |
| 07 | 16443 | 2 | O-ring | [3] |
| 08 | 62697 | 1 | Banjo Bolt | [3] |
| 09 | 101814735 | 1 | "Tætn.Skive 1/8""Pp45C Bond " | |
| 10 | 107121503 | 1 | Banjo Bolt, Inlet | |
| 100 | 301000903 | 1 | Omløbsventil Kompl. 3Ph | [4] |
| 11 | 24347 | 2 | O-ring | [5] |
| 12 | 63058 | 1 | Tilslutningsstykke | |
| 13 | 13739 | 1 | O-ring | [3] |
| 14 | 56519 | 1 | O-Ring | [6] |
| 15 | 301000905 | 1 | Stempel | [6] |
| 16 | 16998 | 1 | O-Ring | [6] |
| 17 | 62722 | 1 | Hus | [7] |
| 18 | 63538 | 1 | Kontakt Stempel | [8] |
| 18 | 57571 | 1 | Kontaktstempel | [9] |
| 19 | 6231 | 1 | Fjeder | [3] |
| 20 | 10028 | 1 | Skrue | [10] |
| 21 | 62399 | 1 | Holder | [11] |
| 22 | 62706 | 1 | O-Ring | [3] |
| 23 | 101406030 | 1 | High Pressure Hose | |
| 24 | 301002458 | 1 | Reed Contact | |
| 25 | 101814735 | 1 | "Tætn.Skive 1/8""Pp45C Bond " | |
| 26 | 4443 | 1 | PLUG | |
| 99 | 63056 | 1 | Rep.Sæt Omløbsventil | [2] |
| 99 | 301001195 | 1 | Rep. Sæt Omløbsventil | [12] |

Part Notes:

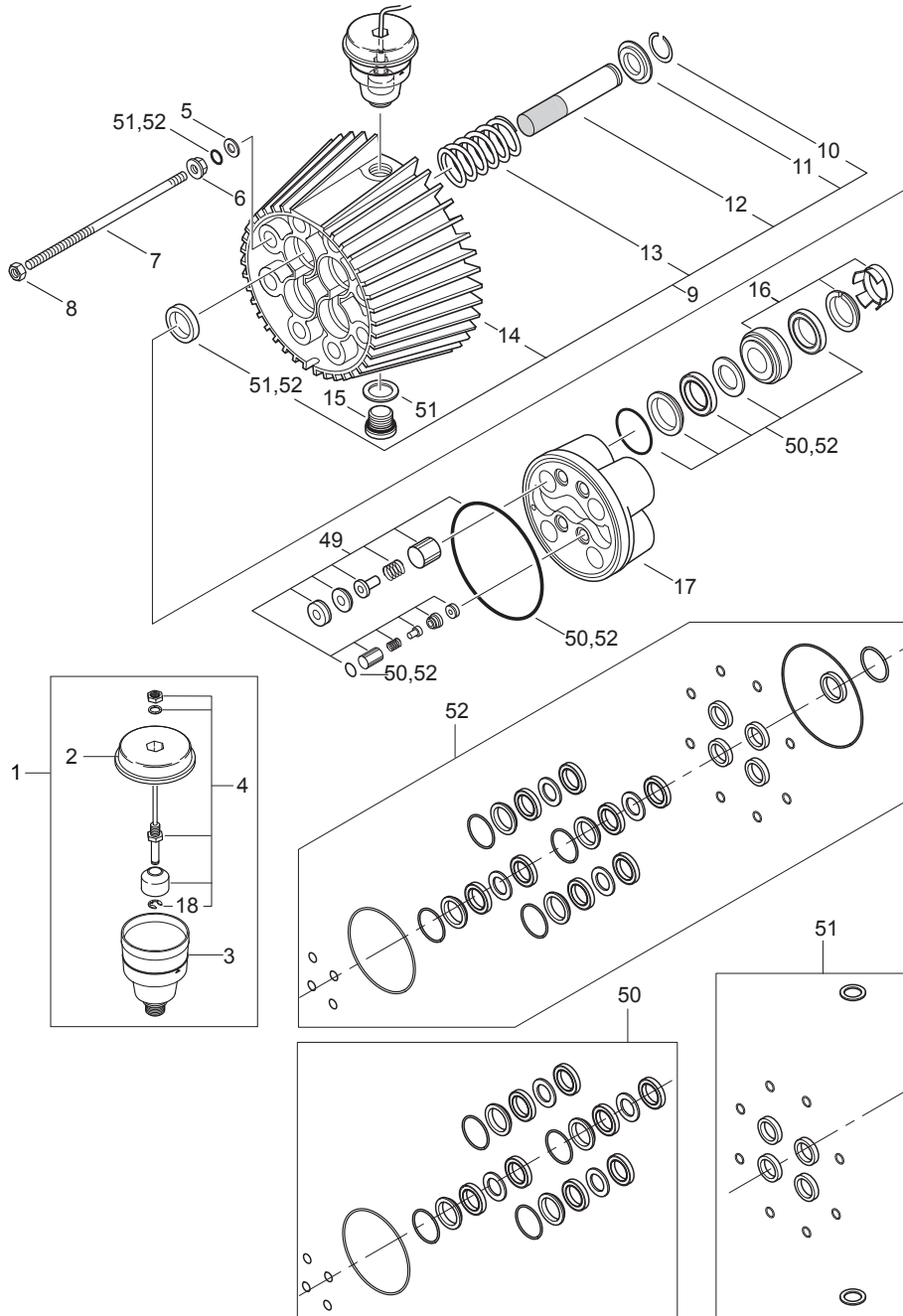
- [1] - 51,57
- [2] - 37
- [3] - part of pos. 99
- [4] - 250BAR
- [5] - part of pos. 99
PLEASE CONTACT CARWASH DIRECTLY
- [6] - part of pos. 99 and 100
- [7] - part of pos. 100
- [8] - part of pos. 99 for 51,57
- [9] - part of pos. 99 for 37
- [10] - part of pos 100
- [11] - part of pos.100
- [12] - 51, 57



| Pos. | Vare-nr | Antal | Beskrivelse | Notes |
|------|-----------|-------|-------------------------------|-------|
| 01 | 107121500 | 1 | Mellemlade | |
| 02 | 107121501 | 2 | Prop | |
| 03 | 3000270 | 2 | O-Ring 5,1X1,6 Nitril | |
| 04 | 6180660 | 1 | "Stik 1/8"" " | |
| 05 | 3001740 | 1 | O-Ring 7,66X1,78 Nitril | |
| 06 | 6301392 | 1 | Ring F. Motorpumpeenhed | |
| 07 | 6100602 | 1 | Spændering | |
| 08 | 1800465 | 8 | Møtrik M10 | |
| 09 | 107121502 | 1 | Tilgangsstuds | |
| 10 | 1119210 | 1 | Rep. sæt tilgangsvinkel | |
| 11 | 6180661 | 1 | SPRING LOCK FOR BY-PASS VALVE | |
| 12 | 3004226 | 1 | O-Ring D13X3 | |
| 13 | 107312039 | 1 | Filter | |
| 14 | 107310010 | 1 | Motorpumpeenhed | [1] |
| 14 | 107310001 | 1 | Motor Pump Unit | [2] |
| 14 | 107310000 | 1 | Motorpumpeenhed | [3] |
| 14 | 107310002 | 1 | MOTOR PUMP UNIT SOLAR | [4] |
| 15 | 107318087 | 1 | Slange 5/8 2M | |
| 16 | 8298 | 1 | Spændebånd | |
| 17 | 107318139 | 1 | BRACKET FOR C3 | |

Part Notes:

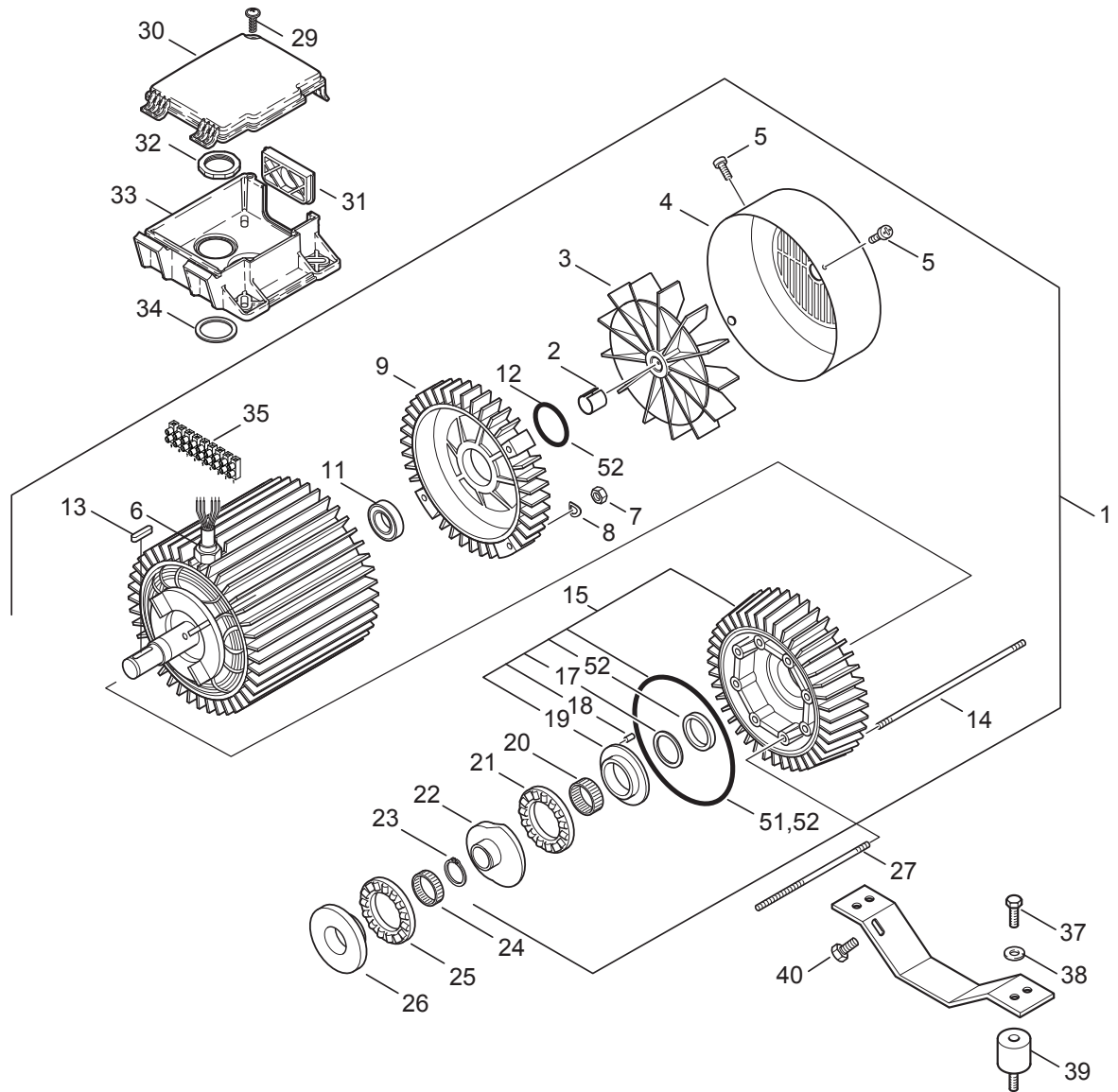
- [1] - for 7-63D
- [2] - for 7-51D, 7-51GH and 7-52GH
- [3] - for 7-57 and 7-58D, 7-58E, 7-58G
- [4] - for 7-37E and 7-38E



| Pos. | Vare-nr | Antal | Beskrivelse | Notes |
|------|-----------|-------|-----------------------------------|-------|
| 0- | 5218433 | 1 | Pumpeolie ISO 150 (1 liter) | [1] |
| 1 | 301000616 | 1 | Level Indicator, Pump Oil | |
| 2 | 301000615 | 1 | Dæksel | |
| 3 | 301000614 | 1 | Oliebeholder | |
| 4 | 301001196 | 1 | Float Switch | |
| 5 | 6100718 | 8 | Skive F. Stagbolt | |
| 6 | 6100719 | 8 | Trykring | |
| 7 | 6301368 | 8 | Stagbolt | |
| 8 | 1800465 | 8 | Møtrik M10 | |
| 9 | 6300071 | 1 | Cylinderblok Komp. | |
| 10 | 1802529 | 4 | Seeger Springring | |
| 11 | 6100666 | 4 | Ring til returfjeder | |
| 12 | 6301166 | 4 | Trykstempel keramik C3 | |
| 13 | 102602517 | 4 | Returfjeder C3K | |
| 14 | 6100610 | 1 | Cylinderblok | |
| 15 | 6150400 | 1 | Bundprop | |
| 16 | 101119850 | 4 | Rep.Sæt Trykring/Back-Up | |
| 17 | 107120701 | 1 | Cylinder | |
| 18 | 107142593 | 1 | HOLDING WASHER PE | [2] |
| 49 | 1119195 | 1 | Rep. sæt ventilsystem | |
| 50 | 1119571 | 1 | Rep. sæt (pakningssæt, reduceret) | [3] |
| 51 | 1119820 | 1 | Rep. sæt olietætning 03 | |
| 52 | 1119570 | 1 | Rep. sæt pakninger C3 | [3] |

Part Notes:

- [1] - 1,1 l - OIL TYPES_QUANTITY for HPW_APRIL 2017
- [2] - TSB-PPW-2016-017 Locking ring for oil level switch falling off
- [3] - TSB-PPW-2016-011 Rep kit 1119571 and 1119570 potential have wrong O-ring in kit
DE TSB-PPW-2016-011 Rep Kit 1119571 und 1119570 beinhalten möglicherweise einen falschen O-Ring

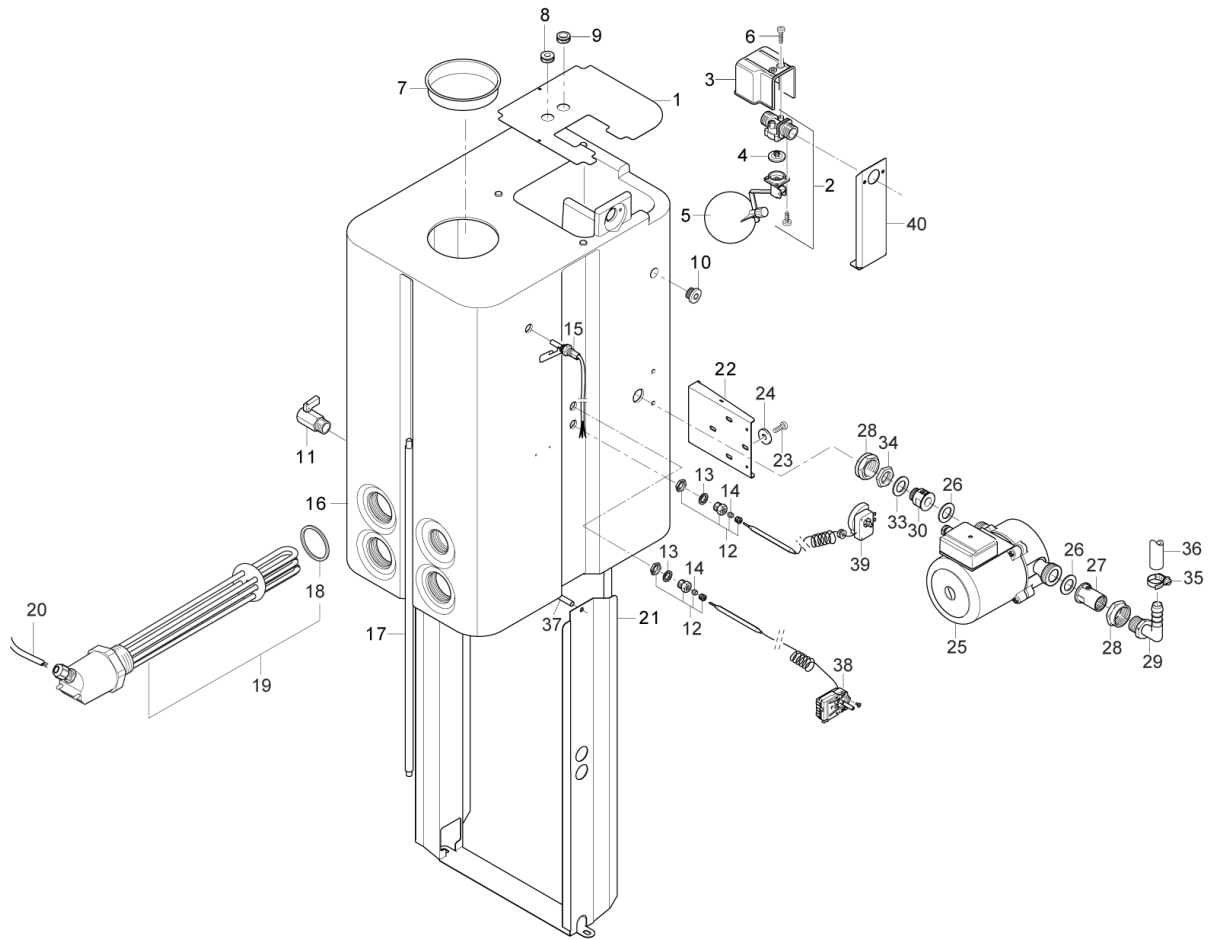


| Pos. | Vare-nr | Antal | Beskrivelse | Notes |
|------|-----------|-------|----------------------------------|-------|
| 1 | 107310070 | 1 | MOTOR 6.5KW 400-415.230/3/50 | [1] |
| 1 | 107310072 | 1 | MOTOR 5.5KW 400-415.230/3/50 | [2] |
| 1 | 107310071 | 1 | MOTOR 5.5KW 400-415.230/3/50 | [3] |
| 2 | 1802503 | 1 | Låsering Ø25 x Ø25 | |
| 3 | 107142275 | 1 | FAN AND RETAINING RING | [4] |
| 3 | 6100607 | 1 | Ventilatorvinge m. lås | [5] |
| 4 | 107142276 | 1 | COVER FOR FAN | [4] |
| 4 | 6100609 | 1 | Ventilatorskærm | [6] |
| 5 | 101814693 | 4 | SCREW M4X 8 EE DIN 7500 A2 | |
| 7 | 2758 | 4 | Møtrik M8 | |
| 8 | 1801182 | 4 | Fjederskive M8 | |
| 9 | 6100611 | 1 | N-Lejedæksel | [7] |
| 9 | 107140617 | 1 | Rear Bearing Cover | [8] |
| 9 | 107142277 | 1 | REAR BEARING COVER | [4] |
| 11 | 3200623 | 1 | Leje | |
| 12 | 107318244 | 1 | O-RING 51.6X2.4 NBR70 | |
| 13 | 3200672 | 1 | Feder | |
| 14 | 6100711 | 8 | Stagbolt F. Statorhus | |
| 14 | 6100712 | 8 | Stagbolt F. Statorhus | [9] |
| 15 | 6101750 | 1 | D-Lejedæksel Komp. 03 | [10] |
| 15 | 107140615 | 1 | Front Bearing Cover Compl Ete | [11] |
| 17 | 6100995 | 1 | Skive | |
| 18 | 6100996 | 1 | Styrestift | |
| 19 | 107120703 | 1 | Lejeskive | |
| 20 | 3200656 | 1 | Nåleleje Ina K 40X46X17 | |
| 21 | 3200615 | 1 | Rulleleje | |
| 22 | 107120708 | 1 | Skråskive 4 | [12] |
| 22 | 107120716 | 1 | Skråskive 12 | [13] |
| 22 | 107120714 | 1 | Skråskive 10 | [14] |
| 22 | 107120707 | 1 | Skråskive 3 | [15] |
| 23 | 1802511 | 1 | Seegerring U 28 X 1,5 | |
| 24 | 3200664 | 1 | Nåleleje | |
| 25 | 3200615 | 1 | Rulleleje | |
| 26 | 107120704 | 1 | Lejeskive | |
| 27 | 6301368 | 8 | Stagbolt | |
| 29 | 10028 | 1 | Skruer | |
| 30 | 301000782 | 1 | Dæksel | |
| 31 | 17106 | 1 | Indsats | |
| 32 | 20862 | 1 | Møtrik | |
| 33 | 301000781 | 1 | Elkasse | |
| 34 | 103004340 | 1 | Pakning | |
| 35 | 101117839 | 1 | Terminal Plug And Termina L Pins | |
| 37 | 1803089 | 4 | SCREW INSEX M8X12 | |
| 38 | 1800317 | 4 | Underlagsskive Encore 26/28/30 | |
| 39 | 107318091 | 4 | VIBRATION DAMPER M8 | |
| 40 | 1802651 | 2 | Taptite Skrue M10X25 | |
| 51 | 1119820 | 1 | Rep. sæt olietætning 03 | |
| 52 | 1119570 | 1 | Rep. sæt pakninger C3 | |

Part Notes:

- [1] - 7-58D / 170/1200D
7-58E / 170/1200E
7-58G / 170/1200G7-66D (DISC no. 12)TSB-PPW-2011-013 C3 Pump information
- [2] - 7-38E / 135/875E (DISC no. 3)
- [3] - 7-52GH / 150/1100GH(DISC no. 10)
- [4] - RF – has Nilfisk letter on the motor type plate
- [5] - EME with 2 holes EME – has EME letter on the motor type plate
- [6] - EME – has EME letter on the motor type plate

- [7] - Up to week 32 2009 (ATB)
- [8] - From week 32 2009 EME – has EME letter on the motor type plate
- [9] - STOCK COVERS GUARANTEE
- [10] - Up to week 32 2009 (ATB) - TSB-PPW-2011-013 C3 Pump informationTSB-PPW-2011-013 C3 Pump information
- [11] - From week 32 2009 RF – has Nilfisk letter on the motor type plateTSB-PPW-2011-013 C3 Pump information
- [12] - 5,5kW 440,220/3/60
- [13] - 6,5kW 400,230/3/50
- [14] - 5,5kW-1030 400,230/3/50
- [15] - 5,5kW-810 400,230/3/50



| Pos. | Vare-nr | Antal | Beskrivelse | Notes |
|------|-----------|-------|---------------------------------------|-------|
| 01 | 107318114 | 1 | COVER FOR WATERTANK | |
| 02 | 63871 | 1 | FLOAT VALVE 3/4 DN10 SS MAX 90 DEGR C | |
| 03 | 34240 | 1 | Afdækning | [1] |
| 04 | 17379 | 1 | MEMBRANE A20 | |
| 05 | | 1 | Ball not available | |
| 06 | 16860 | 2 | Skrue 4x12 | |
| 07 | 104601176 | 1 | CONIC DBI-DUT NO. 127C RED | |
| 08 | 5172 | 1 | RUBBER BUSH | |
| 09 | 3001427 | 1 | Kabelgennemføring | |
| 10 | G181419 | 1 | "Prop 1/2""Rg" | |
| 11 | 3400819 | 1 | Kuglehane | |
| 12 | 107318000 | 2 | Threaded Connection | |
| 13 | 1801075 | 2 | Tætningskive 3/8" | |
| 14 | 101609437 | 2 | CONE RING 8MM | |
| 15 | 3817582 | 1 | Niveauføler, Mps | |
| 16 | 107318107 | 1 | HEATING TANK | |
| 17 | 107318108 | 2 | Side Support | |
| 18 | 107318109 | 1 | O-ring 53.57X3.53 NITRIL 70 SH | [2] |
| 19 | 107318110 | 1 | Heating Element 18Kw | [2] |
| 19 | 107318178 | 1 | Varmelegeme 18KW 440V | [2] |
| 20 | 107318111 | 1 | CABLE FOR HEATING ELEMENT | [2] |
| 21 | 107318112 | 1 | BRACKET | |
| 22 | 107318113 | 1 | BRACKET FOR FEED PUMP | |
| 23 | 1814706 | 4 | SCREW | |
| 24 | 1813807 | 4 | Skive M6Xø18 Rf | |
| 25 | 107318067 | 1 | Fødepumpe 1X230 Up20-45 N 150 | |
| 26 | 103821954 | 2 | GASKET | |
| 27 | 101609354 | 1 | UNION VALVE | |
| 28 | 101609357 | 2 | UNION NUT | |
| 29 | 101609353 | 1 | HOSE TAIL ELBOW 16X3/4 INCH | |
| 30 | 107312000 | 1 | SPACER | |
| 33 | 2377 | 1 | Packing Ring 27X38X2 It | |
| 34 | 1800341 | 1 | "Kontramøtrik 3/4"" " | |
| 35 | 1810191 | 2 | Spændebånd 13-27 A4 (SS) | |
| 36 | 106408242 | 1 | HOSE 5/8INCH - 2 METERS | |
| 37 | 107318097 | 1 | SUPPORT TUBE | |
| 38 | 107318150 | 1 | Termostat 0-85 | |
| 39 | 103822046 | 1 | Sikkerh.Termostat 97/1750 | |
| 40 | 107318173 | 1 | Brakett For Vann Tank | [3] |

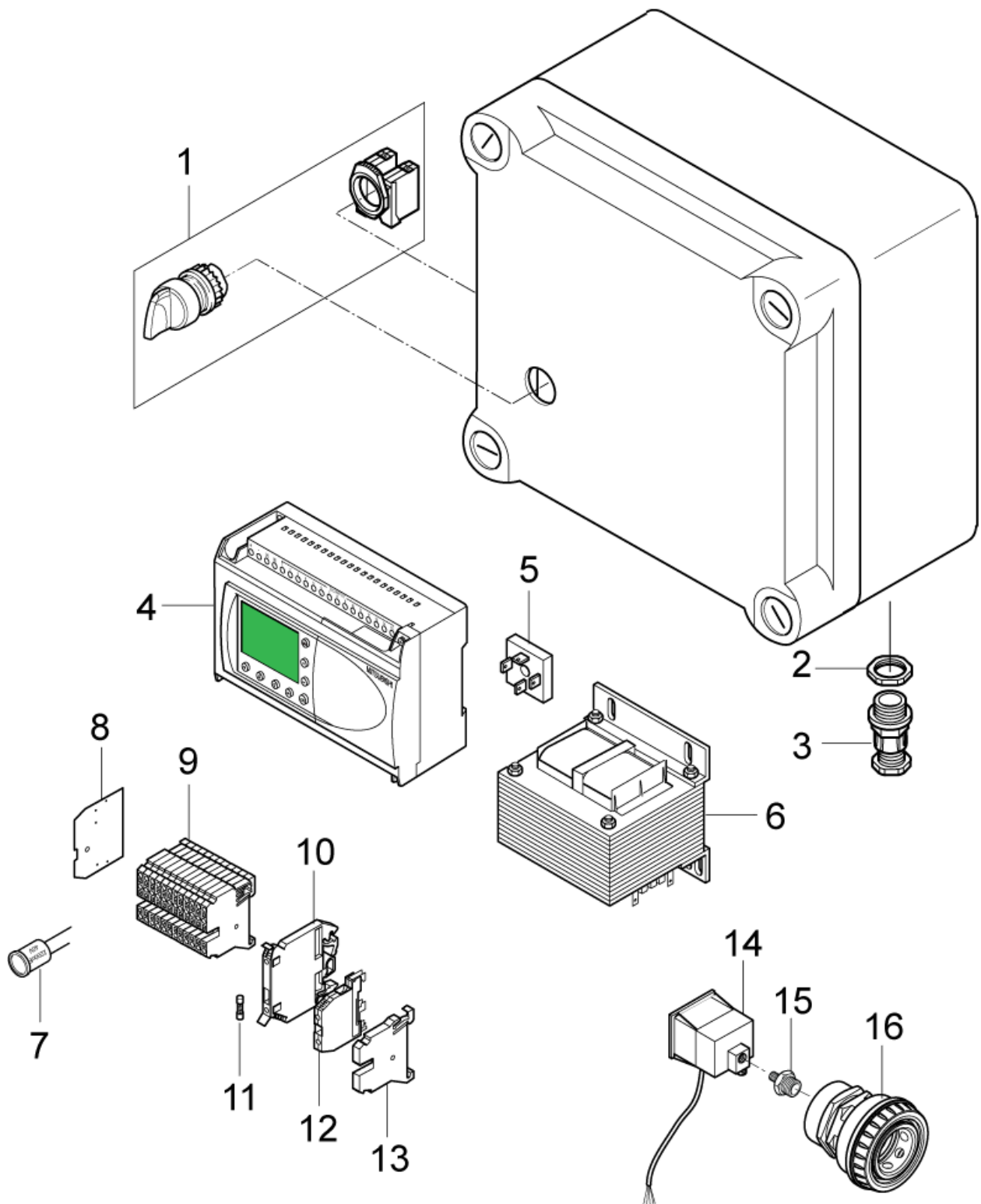
Part Notes:

- [1] - PLEASE CONTACT CARWASH DIRECTLY
- [2] - 2 pcs. 36H, 3 pcs. 54H
- [3] - TSB-PPW-2011-008 Bracket for Heating Tank

| Pos. | Vare-nr | Antal | Beskrivelse | Notes |
|------|-----------|-------|---------------------------------|-------|
| 0- | 101119742 | 1 | Tornado Plus dyse 1/8" 0530 Rød | [1] |
| 0- | 101119747 | 1 | Tornado Plus dyse 1/8" 0680 Grå | [2] |
| 0- | 107370955 | 1 | Frostbeskyttelse Deluxe | [3] |
| 0- | 107370954 | 1 | Frostbeskyttelse standard | [3] |

Part Notes:

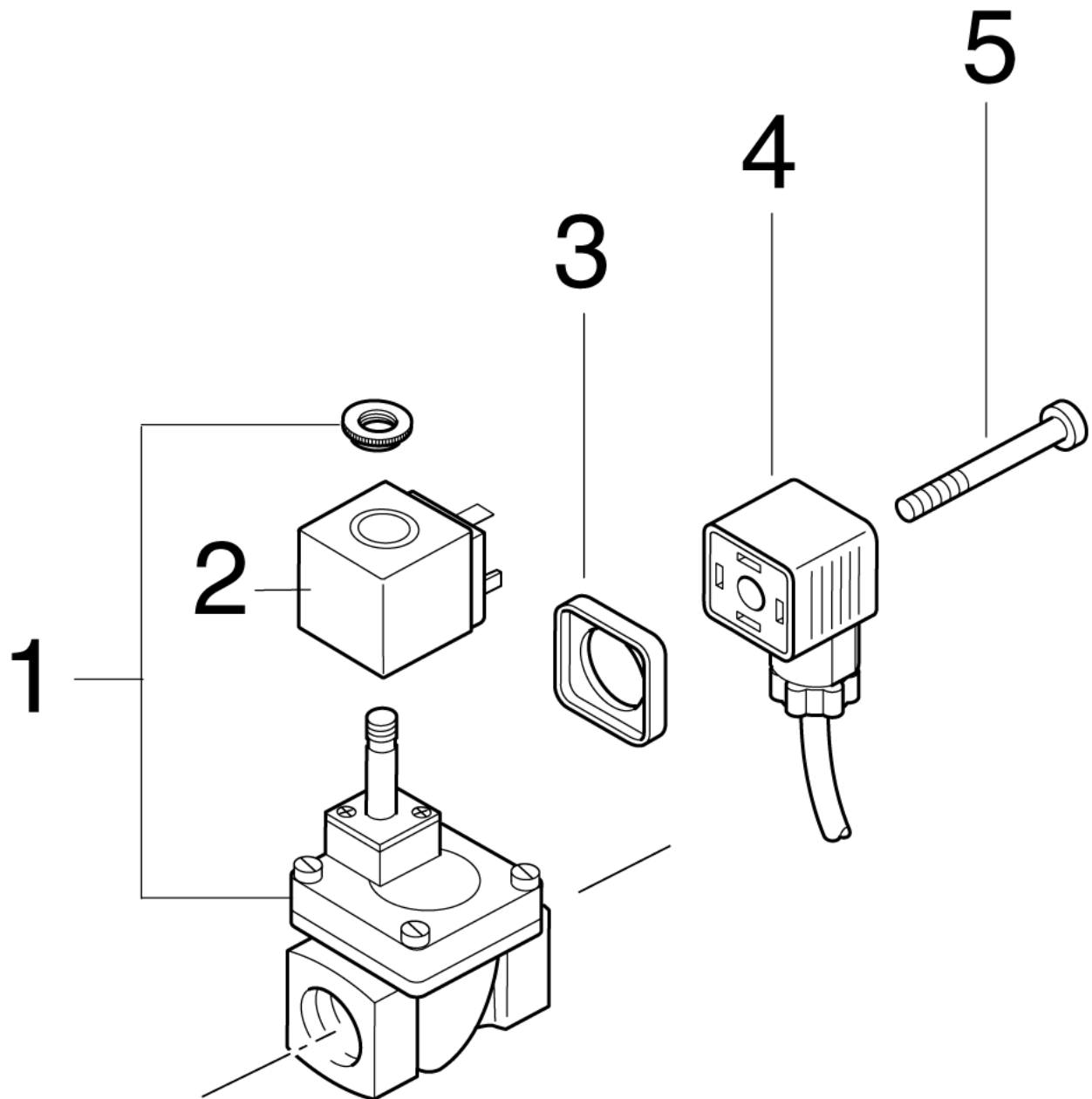
- [1] - 7-38E
- [2] - 7-58E
- [3] - Frost protection - ANTI FROST



| Pos. | Vare-nr | Antal | Beskrivelse | Notes |
|------|-----------|-------|------------------------------------|-------|
| 00 | 107370964 | 1 | Multiple Machine Option kit | |
| 01 | 107318115 | 1 | SWITCH WITH CONTACT | |
| 02 | 103821789 | 5 | NUT M12X1.5 PA | |
| 03 | 103821788 | 5 | CABLE BUSHING | |
| 04 | 106426058 | 1 | PLC M/ALTO-PROGRAM OPTION BOX | |
| 05 | 22207 | 1 | RECTIFIER | |
| 06 | 103821844 | 1 | CONTROL TRANSFORMER 230V 24/19 | |
| 07 | 29467 | 1 | CAPACITOR 2200Ø F | |
| 08 | 103821921 | 1 | END PLATE | |
| 09 | 103821920 | 12 | WIRE TERMINAL | |
| 10 | 4812281 | 1 | FUSE HOLDER | |
| 11 | 15846 | 1 | Sikring 2,5A | [1] |
| 12 | 107318117 | 2 | EARTH TERMINAL | |
| 13 | 103821922 | 1 | DIN-END STOP WO/SCREW WAGO 249-116 | |
| 14 | 107306160 | 1 | Pressostat Coded For 3Ph | |
| 15 | 107318118 | 1 | Fitting | |
| 16 | 106402075 | 1 | Ergo højtrykskobling DN10 3/8" hun | |

Part Notes:

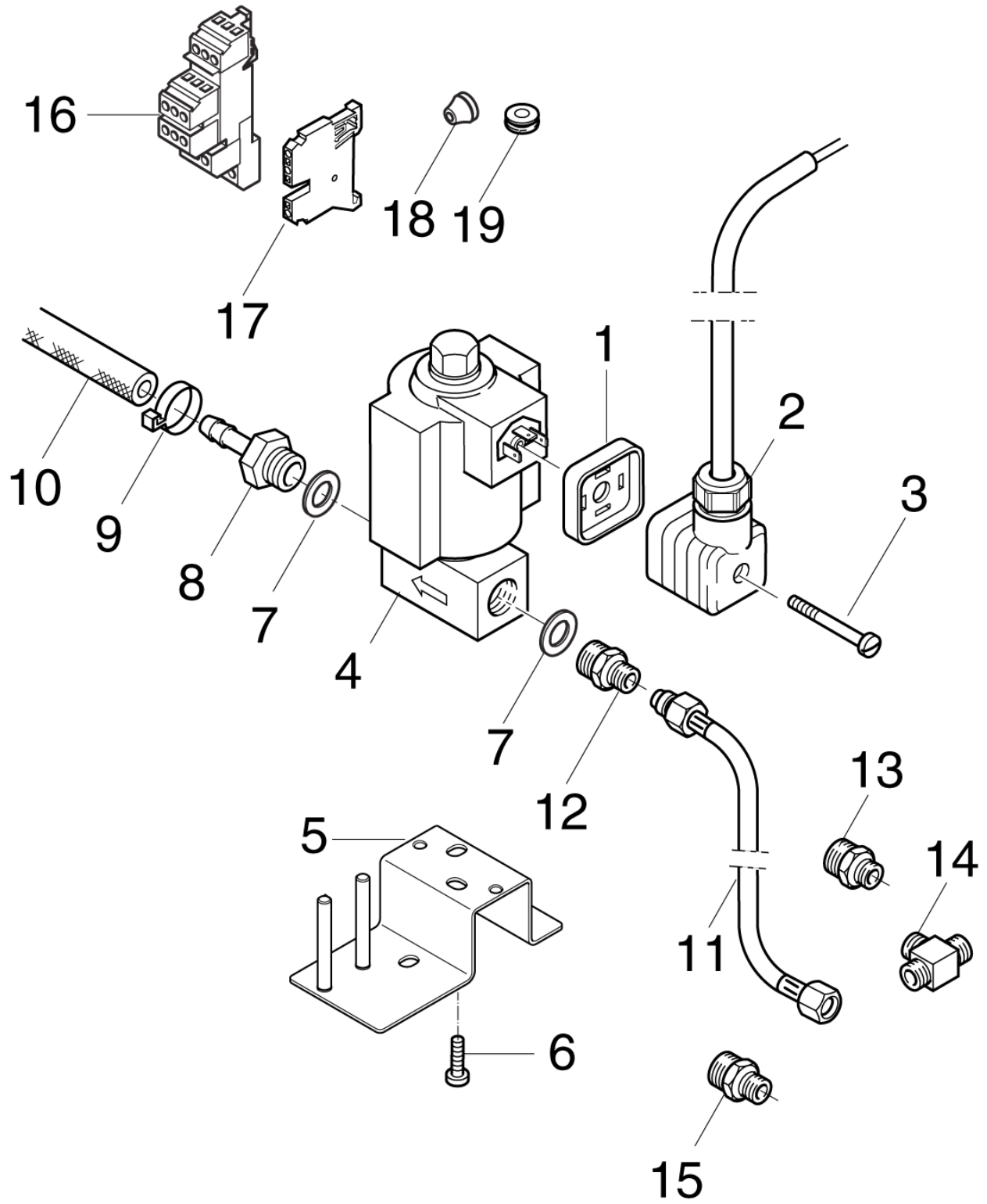
[1] - PLEASE CONTACT CARWASH DIRECTLY



| Pos. | Vare-nr | Antal | Beskrivelse | Notes |
|------|-----------|-------|------------------------------|-------|
| 0- | 107340910 | 1 | Sikring af tilgangsvand | |
| 01 | 103821881 | 1 | Ventil | |
| 02 | 103821775 | 1 | Coil 24Vdc 3 Watt | |
| 03 | 17767 | 1 | Pakning | [1] |
| 04 | 3808144 | 1 | AMP.SOCKET F. SOLENOID VALVE | |
| 05 | 17768 | 1 | Skrue M3X25 | [1] |

Part Notes:

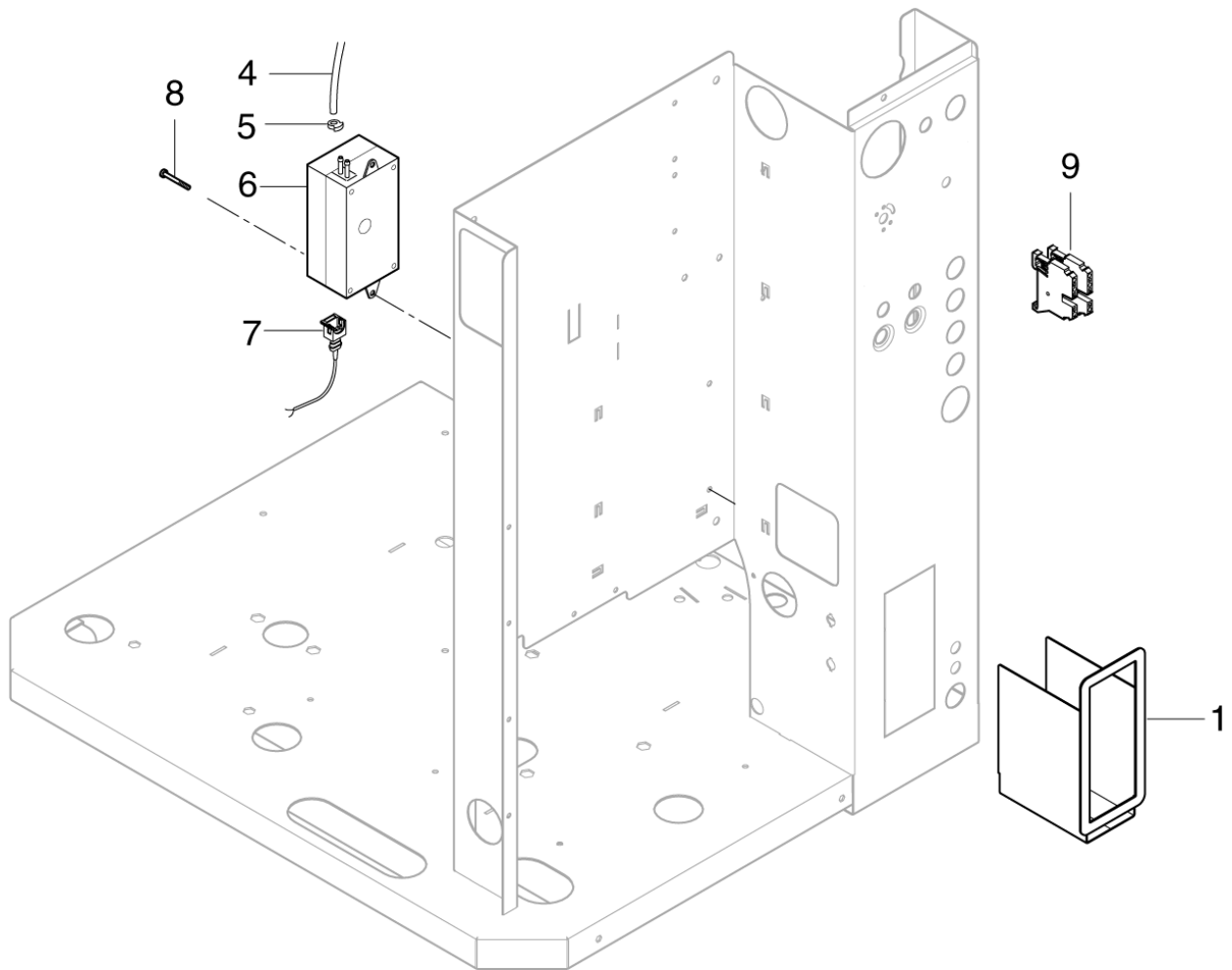
[1] - PLEASE CONTACT CARWASH DIRECTLY



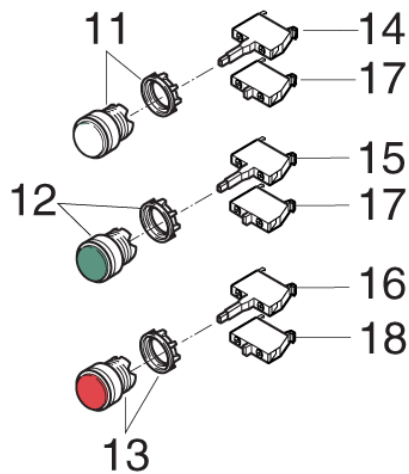
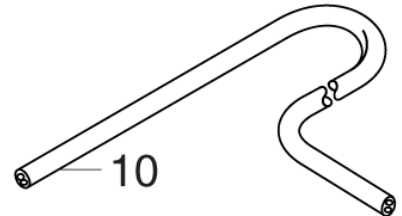
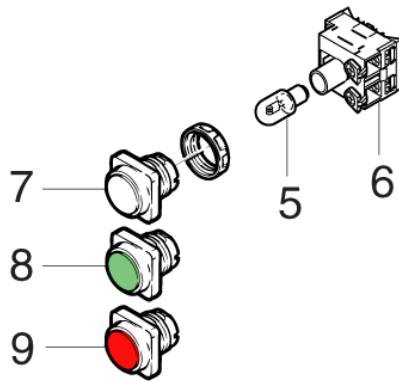
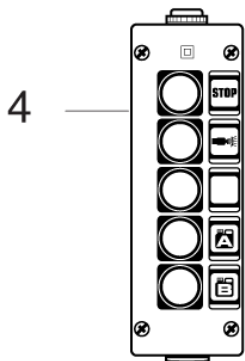
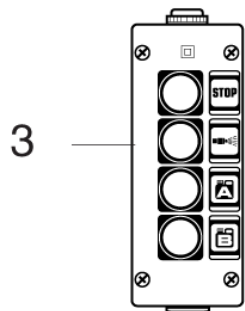
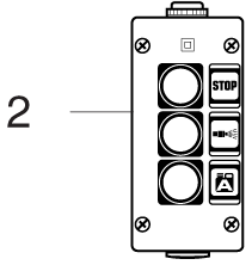
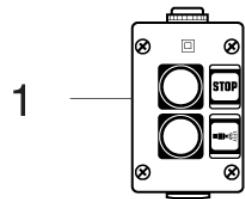
| Pos. | Vare-nr | Antal | Beskrivelse | Notes |
|------|-----------|-------|-----------------------------|-------|
| 0- | 107370966 | 1 | Trykafastning | |
| 01 | 17767 | 1 | Pakning | [1] |
| 02 | 11693 | 1 | Coupler 1,5 M | |
| 03 | 17768 | 1 | Skruer M3X25 | [1] |
| 04 | 53730 | 1 | Magnetventil 24VDC | |
| 05 | 107302160 | 1 | SUPPORT FOR SOLENOID VALVE | |
| 06 | 1804673 | 2 | SET SCREW M6X8 | |
| 07 | 1803493 | 2 | Tætningsskive f. 1/4" RG | |
| 08 | 1608512 | 1 | "Muffe 1/4"" | |
| 09 | 1807593 | 2 | Spændebånd 6-16MM A2 | |
| 10 | 4973 | 1 | HOSE Ø6X3 | |
| 11 | 107318131 | 1 | HIGH PRESSURE HOSE DN2 1 M | |
| 12 | 1600410 | 1 | "Ligeforskrøning Ø6 X 1/4"" | |
| 13 | 107312045 | 1 | FITTING M8X6 | [2] |
| 14 | 107318132 | 1 | T-CONNECTION | [2] |
| 15 | 1821 | 1 | Fitting | [3] |
| 16 | 24401 | 1 | THREE-WAY TERMINAL | |
| 17 | 103821920 | 1 | WIRE TERMINAL | |
| 18 | 3803764 | 1 | Pakdåse Tet 5-7C | |
| 19 | 3001427 | 1 | Kabelgennemføring | |

Part Notes:

- [1] - PLEASE CONTACT CARWASH DIRECTLY
- [2] - For pump 5
- [3] - For pump 7 and 8



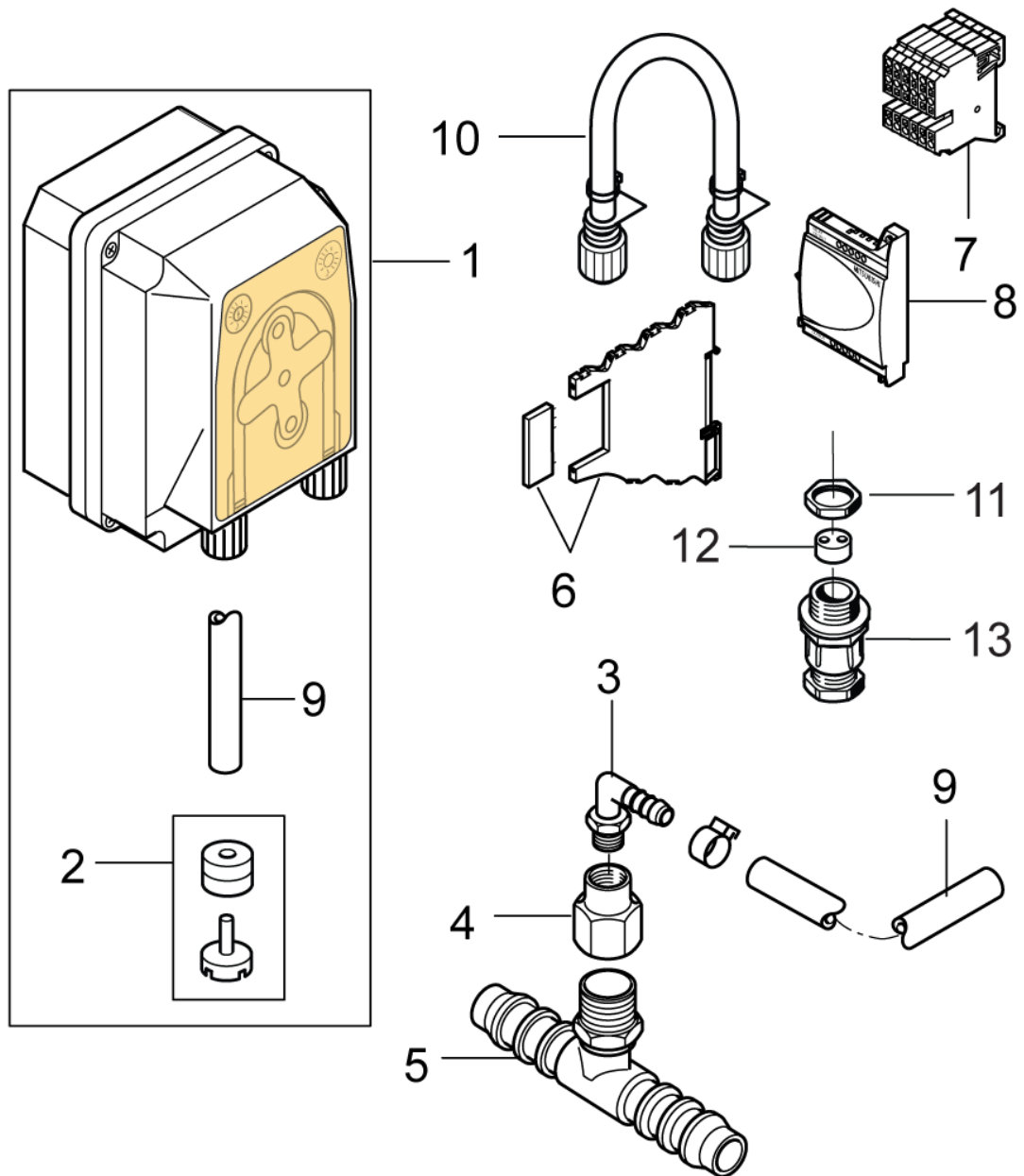
| Pos. | Vare-nr | Antal | Beskrivelse | Notes |
|------|-----------|-------|-----------------------------|-------|
| 0- | 107370958 | 1 | No Scale kit | |
| 01 | 107318104 | 1 | BRACKET FOR NO-SCALE | |
| 04 | 5226147 | 1 | HOSE PVC 4/7.2 | |
| 05 | 1814151 | 1 | HOSE CLIP | |
| 06 | 3821492 | 1 | KS-PUMP ST 15 24V | |
| 07 | 4812338 | 1 | WIRE FOR FLOW SWITCH 1200MM | |
| 08 | 1800606 | 2 | Maskinskrue M4X10 | |
| 09 | 103821920 | 2 | WIRE TERMINAL | |



| Pos. | Vare-nr | Antal | Beskrivelse | Notes |
|------|-----------|-------|--------------------------------|-------|
| 01 | 107340911 | 1 | Fjernbetjeningsbokse 2 knapper | |
| 02 | 107340912 | 1 | Fjernbetjeningsbokse 3 knapper | |
| 03 | 107340913 | 1 | Fjernbetjeningsbokse 4 knapper | |
| 04 | 107340914 | 1 | Fjernbetjeningsbokse 5 knapper | |
| 05 | 41548 | 1 | BULB 24V | [1] |
| 06 | 11958 | 1 | SHOULDER LUMINOUS BUTTON | [2] |
| 07 | 29960 | 1 | SIGNAL LIGHT ATTACHMENT White | [3] |
| 08 | 29961 | 1 | PUSH BUTTON, GREEN | [3] |
| 09 | 29962 | 1 | PUSH BUTTON, RED | [3] |
| 10 | 5713 | 1 | Kontrollkabel 9 X 0,75 Mm | [4] |
| 10 | 24429 | 1 | CABLE | [5] |
| 10 | 17388 | 1 | CONTROL CABLE | [6] |
| 10 | 41518 | 1 | CABLE PVC MEWA12X0,75 | [7] |
| 11 | 103822004 | 1 | Push Button, White | [8] |
| 12 | 103821823 | 1 | Lampekontakt, Grøn | [8] |
| 13 | 103821824 | 1 | Signal Light Atteachment, Red | [8] |
| 14 | 103821999 | 1 | LAMP ELEMENT ZAL-VB4 WHITE | [8] |
| 15 | 103822000 | 1 | LAMP ELEMENT GREEN | [8] |
| 16 | 103822001 | 1 | LAMP ELEMENT RED | [8] |
| 17 | 103822002 | 1 | CONTACT ELEMENT NO 3-4 | [8] |
| 18 | 103822003 | 1 | CONTACT ELEMENT NC 1-2 M/1 | [8] |
| 19 | 301001396 | 1 | LABEL SIGN FOR REMOTE CON | |

Part Notes:

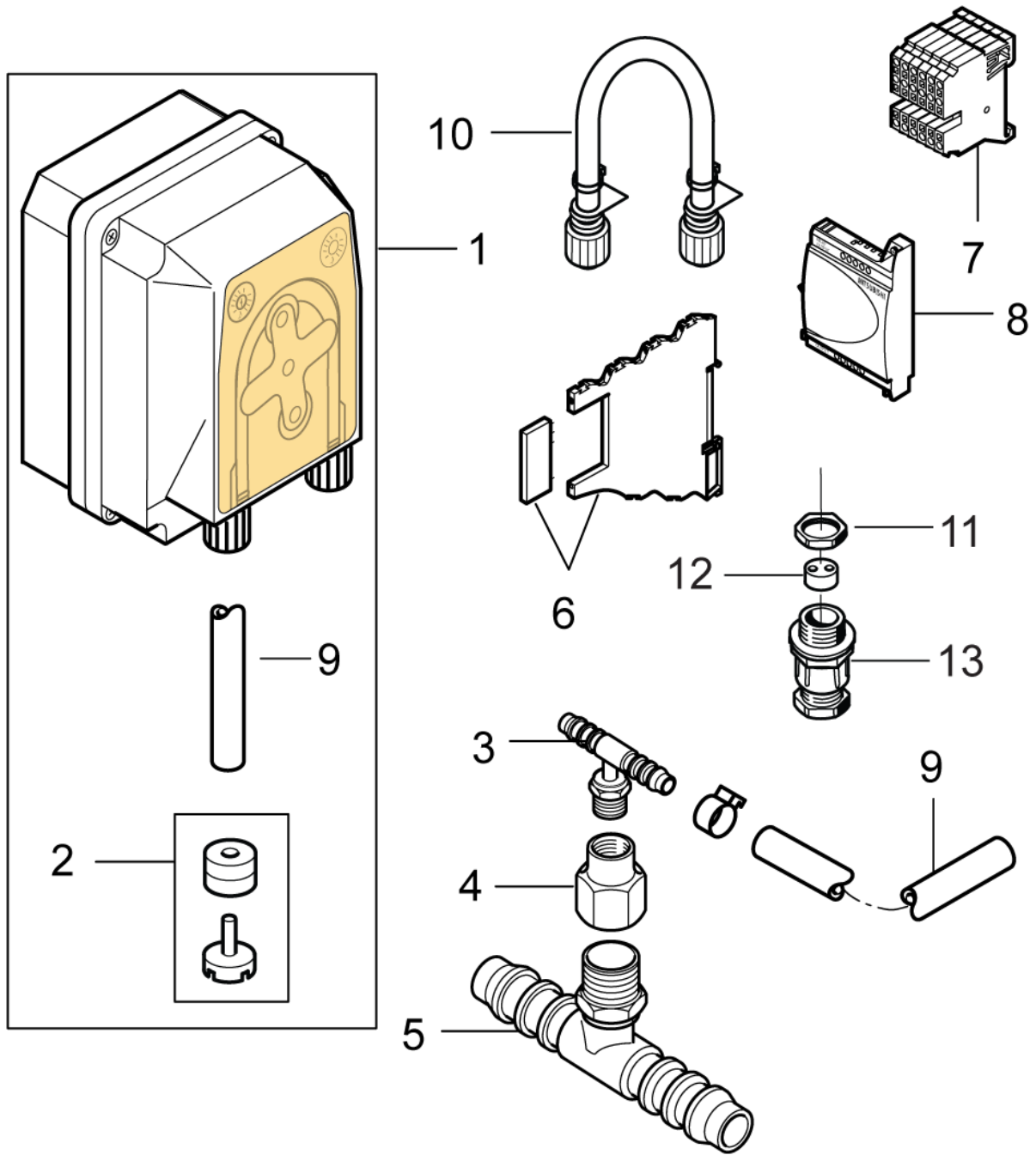
- [1] - UP TO 2004.05.11
- [2] - UP TO 2004.05.11
See STI SPW-015
- [3] - See STI SPW-015
- [4] - 3 buttons
- [5] - 5 buttons
- [6] - 2 buttons
- [7] - 4 buttons
- [8] - FROM 2004.05.11



| Pos. | Vare-nr | Antal | Beskrivelse | Notes |
|------|-----------|-------|---------------------------------------|-------|
| 00 | 107370952 | 1 | 1 x rengøringsmiddel elektronisk | |
| 01 | 103822206 | 1 | Kemipumpe Max 18 L/Time | |
| 02 | 31000101 | 1 | FILTER AND LOCK FOR CHEMICAL PUMP | |
| 03 | 107318136 | 1 | Hose Tail Elbow 4 x 1/4 | |
| 04 | 107318134 | 1 | Reduction 1/2 x 1/4 | |
| 05 | 107318155 | 1 | T-HOSE CONNECTION D19X1/2XD19 BLUE PE | [1] |
| 05 | 107318137 | 1 | T Connection 1/4 x 1/2 | |
| 06 | 103821828 | 1 | Relæ | |
| 07 | 103821920 | 6 | WIRE TERMINAL | |
| 08 | 103821948 | 1 | EXPANDER AL2-4EYR | |
| 09 | 107318062 | 1 | HOSE SILICONE 6/ 4X5M | |
| 10 | 103822265 | 1 | Slange F Kemipumpe | |
| 11 | 103821778 | 1 | NUT M20X1.5 | |
| 12 | 103821946 | 1 | INSERT 3X6.5 | |
| 13 | 103821785 | 1 | CABLE BUSHING | |

Part Notes:

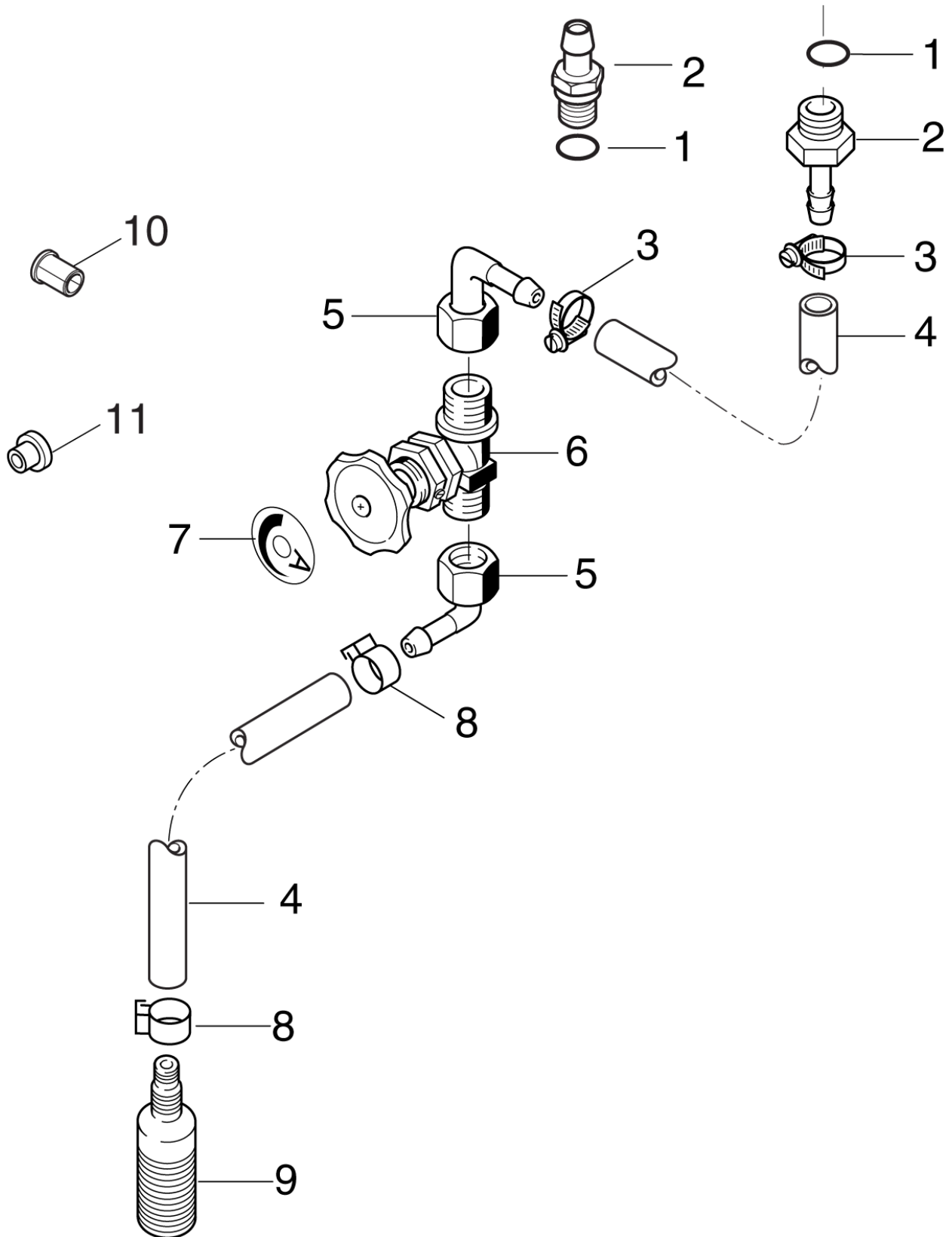
[1] - Only on NP8 pumps



| Pos. | Vare-nr | Antal | Beskrivelse | Notes |
|------|-----------|-------|---------------------------------------|-------|
| 00 | 107370953 | 1 | 2 x rengøringsmiddel elektronisk | |
| 01 | 103822206 | 1 | Kemipumpe Max 18 L/Time | |
| 02 | 31000101 | 1 | FILTER AND LOCK FOR CHEMICAL PUMP | |
| 03 | 107318138 | 1 | T CONNECTION 4X1/4 | |
| 04 | 107318134 | 1 | Reduction 1/2 x 1/4 | |
| 05 | 107318155 | 1 | T-HOSE CONNECTION D19X1/2XD19 BLUE PE | [1] |
| 05 | 107318137 | 1 | T Connection 1/4 x 1/2 | |
| 06 | 103821828 | 1 | Relæ | |
| 07 | 103821920 | 6 | WIRE TERMINAL | |
| 08 | 103821948 | 1 | EXPANDER AL2-4EYR | |
| 09 | 107318062 | 1 | HOSE SILICONE 6/ 4X5M | |
| 10 | 103822265 | 1 | Slange F Kemipumpe | |
| 11 | 103821778 | 1 | NUT M20X1.5 | |
| 12 | 103821946 | 1 | INSERT 3X6.5 | |
| 13 | 103821785 | 1 | CABLE BUSHING | |

Part Notes:

[1] - Only on NP8 pumps



| Pos. | Vare-nr | Antal | Beskrivelse | Notes |
|------|-----------|-------|-----------------------------|-------|
| 0- | 107340903 | 1 | Manual til rengøringsmiddel | |
| 01 | 3001740 | 1 | O-Ring 7,66X1,78 Nitril | |
| 02 | 1609300 | 1 | Slangestuds | [1] |
| 02 | 1608512 | 1 | "Muffe 1/4" | [2] |
| 03 | 1807593 | 2 | Spændebånd 6-16MM A2 | |
| 04 | 4973 | 1 | HOSE Ø6X3 | |
| 05 | 101609346 | 1 | Hose Socket, Elbow | |
| 06 | 103403268 | 1 | Needle Valve | |
| 07 | 12117 | 1 | Tap Sticker | |
| 08 | 1810084 | 2 | Spændebånd Ø10,8/12,3 | |
| 09 | 107145440 | 1 | Strainer Valve Compl. Kit | |
| 10 | 107302159 | 1 | Reduktion | [3] |
| 11 | 301000187 | 1 | Blænde | [4] |
| 11 | 301001103 | 1 | Blænde | [5] |

Part Notes:

- [1] - C3
- [2] - UNO , DUO
- [3] - UNO, DUO
- [4] - C3 - 5,5kW
STOCK COVERS GUARANTEE
- [5] - C3 - 6,5 kW
NO LONGER AVAILABLE

| Pos. | Vare-nr | Antal | Beskrivelse | Notes |
|------|-----------|-------|---------------------------------------|-------|
| 0A | 64314 | 1 | Reparationskit ventilstempel | [1] |
| 0A | 1119570 | 1 | Rep. sæt pakninger C3 | [1] |
| 0A | 1119820 | 1 | Rep. sæt olietætning 03 | [1] |
| 0A | 301000905 | 1 | Stempel | [1] |
| 0A | 3812385 | 1 | Sikring Ø5X20 | [1] |
| 0A | 1119571 | 1 | Rep. sæt (pakningssæt, reduceret) | [1] |
| 0A | 56519 | 1 | O-Ring | [1] |
| 0A | 301001195 | 1 | Rep. Sæt Omløbsventil | [1] |
| 0A | 1119820 | 1 | Rep. sæt olietætning 03 | [1] |
| 0A | 1119570 | 1 | Rep. sæt pakninger C3 | [1] |
| 0A | 5218433 | 1 | Pumpeolie ISO 150 (1 liter) | [1] |
| 0A | 6100941 | 1 | Filter | [1] |
| 0A | 1119195 | 1 | Rep. sæt ventilsystem | [1] |
| 0A | 63056 | 1 | Rep.Sæt Omløbsventil | [1] |
| 0B | 63871 | 1 | FLOAT VALVE 3/4 DN10 SS MAX 90 DEGR C | [2] |
| 0B | 107318091 | 1 | VIBRATION DAMPER M8 | [2] |
| 0C | 107318096 | 1 | SAFETY DEVICE 3P 32A 10KA | [3] |
| 0C | 103821847 | 1 | CONTROL TRANSFORMER 230V 24/19 | [3] |
| 0C | 101406030 | 1 | High Pressure Hose | [3] |
| 0C | 103821929 | 1 | AUXILIARY CONTACT 140M-C-AFA01 | [3] |
| 0C | 107120701 | 1 | Cylinder | [3] |
| 0C | 3200656 | 1 | Nåleleje Ina K 40X46X17 | [3] |
| 0C | 103821899 | 1 | CONNECTION MODUL 16/23AMP | [3] |
| 0C | 107120714 | 1 | Skråskive 10 | [3] |
| 0C | 107120716 | 1 | Skråskive 12 | [3] |
| 0C | 103822306 | 1 | Contactoer Cjx2-D18-B7 24V | [3] |
| 0C | 107318150 | 1 | Thermostat 0-85 | [3] |
| 0C | 107318088 | 1 | HIGH PRESSURE HOSE DN8 | [3] |
| 0C | 1802511 | 1 | Seegerring U 28 X 1,5 | [3] |
| 0C | 3600301 | 1 | Manometer | [3] |
| 0C | 301000731 | 1 | Mikrokontakt | [3] |
| 0C | 107120707 | 1 | Skråskive 3 | [3] |
| 0C | 103822317 | 1 | Contactoer Cjx2-D32-B7 24V | [3] |
| 0C | 6301166 | 1 | Trykstempel keramik C3 | [3] |
| 0C | 301002458 | 1 | Reed Contact | [3] |
| 0C | 107140615 | 1 | Front Bearing Cover Compl Ete | [3] |
| 0C | 103821898 | 1 | Relæ, 10-16A | [3] |
| 0C | 3200664 | 1 | Nåleleje | [3] |
| 0C | 107310070 | 1 | MOTOR 6.5KW 400-415.230/3/50 | [3] |
| 0C | 3817582 | 1 | Niveauføler, Mps | [3] |
| 0C | 103821846 | 1 | Sikkerhedstranf. 400V | [3] |
| 0C | 107120704 | 1 | Lejeskive | [3] |
| 0C | 107120708 | 1 | Skråskive 4 | [3] |
| 0C | 106420051 | 1 | Circuit Board | [3] |
| 0C | 103822046 | 1 | Sikkerh.Termostat 97/1750 | [3] |
| 0C | 107310072 | 1 | MOTOR 5.5KW 400-415.230/3/50 | [3] |
| 0C | 3200615 | 1 | Rulleleje | [3] |
| 0C | 301000616 | 1 | Level Indicator, Pump Oil | [3] |
| 0C | 107318110 | 1 | Heating Element 18Kw | [3] |
| 0C | 107310071 | 1 | MOTOR 5.5KW 400-415.230/3/50 | [3] |
| 0C | 6101750 | 1 | D-Lejedæksel Komp. 03 | [3] |
| 0C | 3821748 | 1 | Hjælpekontakt Ab 100-Sb10 | [3] |
| 0C | 6100602 | 1 | Spændering | [3] |

Part Notes:

- [1] - A
- [2] - B
- [3] - C

