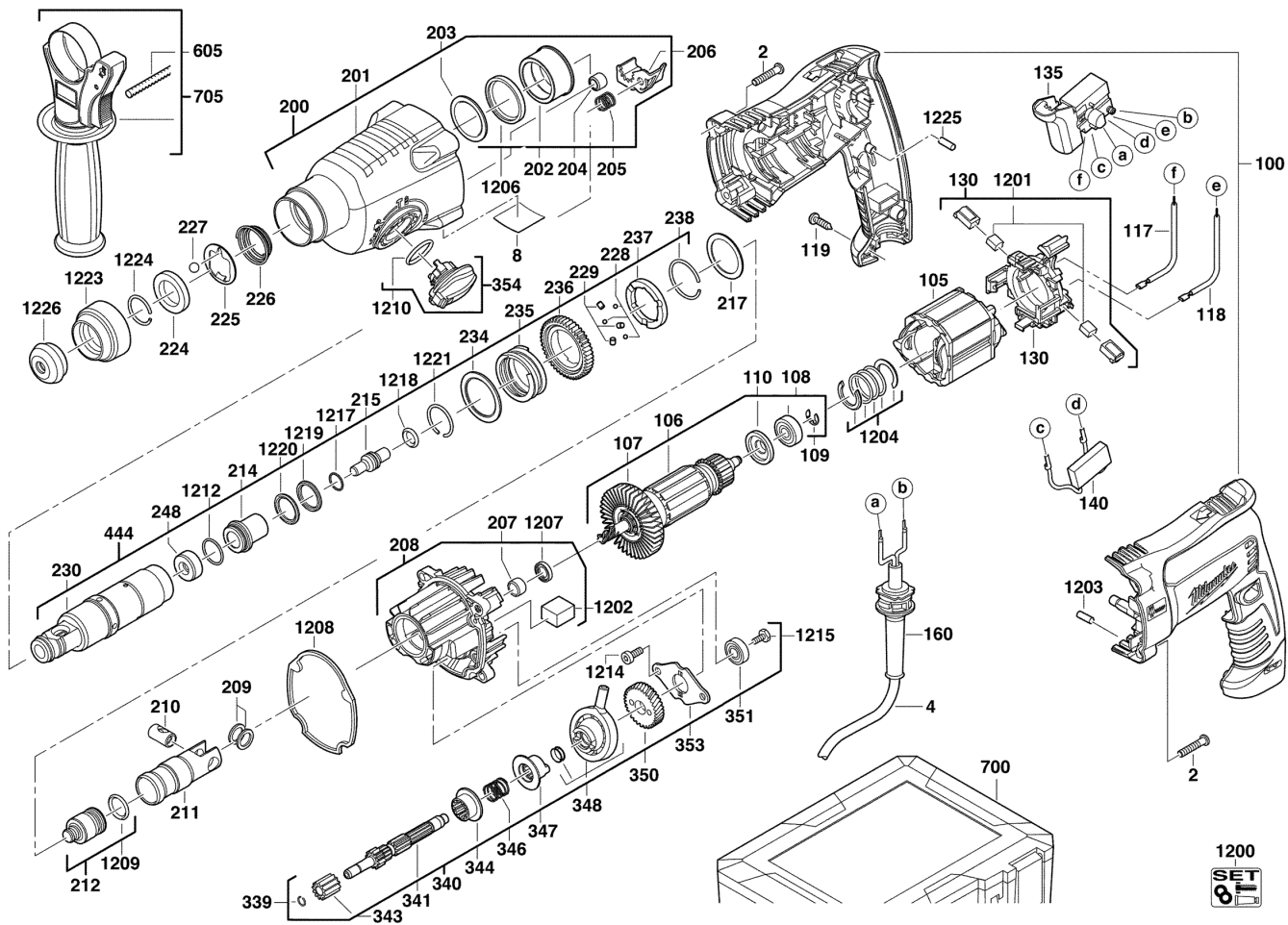


ROTARY HAMMER PH26'K IN2

4933387400 - PH26 - 4000387401





Position	Quantity	Description	Part number	EAN
0002	4	SCREW	661288001	4002395856282
0004	1	CONNECTION CABLE	4931302112	4002395591657
0008	1	RATING PLATE	4931409432	4002395791569
0100	1	HANDLE	201242003	4002395855452
0105	1	ELECTRIC FIELD	4931426176	4002395834815
0106	1	ARMATURE	741539002	4002395855667
0107	1	FAN	4931408165	4002395834112
0108	1	BALL BEARING	4931624662	4002395790890
0109	1	WASHER	4931621834	4002395696185
0110	1	INSULATING DISC	4931387434	4002395788552
0117	2	WIRE	4931624651	4002395789795
0118	1	WIRE	4931624651	4002395789795
0119	6	SCREW N874101-1 SHR H-K4X18 T15	4931624515	4002395757367
0130	1	SET COLLAR	4931387446	4002395826483
0135	1	SWITCH BOARD	760251020	4002395855599
0140	1	CAPACITOR	4931311062	4002395594818
0160	1	PROTECTING COVER	4931393422	4002395752836
0200	1	GEAR BOX	201220008	4002395855414
0201	1	GEAR BOX black	4931387404	4002395785643
0202	1	SINTERED BEARING	692727001	4002395856954
0203	1	COMPENSATING WASHER	4931387578	4002395794492
0204	1	BUSHING	4931453736	4002395142149
0205	1	PRESSURE SPRING	4931396432	4002395766116
0206	1	LOCKING PLATE	4931448985	4002395256174
0207	1	NEEDLE BEARING	4931219424	4002395583874
0208	1	BEARING END PLATE	201235004	4002395856350
0209	2	WASHER	4931365112	4002395666027
0210	1	CYLINDRICAL BOLT	692718001	4002395851966
0211	1	CYLINDER	692717001	4002395851959
0212	1	PERC. BODY W SEAL	201233002	4002395854264
0214	1	CORE LIFTER RING	692722001	4002395851973
0215	1	SNAP DIE	692590001	4002395851942
0217	1	DISC N874237 28,1X36,3X1	4931622624	4002395698646
0224	1	HOLDING RING	4931396449	4002395776573
0225	1	SUPPORT PLATE	4931343127	4002395629459
0226	1	PRESSURE SPRING	4931343128	4002395629466
0227	1	BALL	4931911572	4002395706457
0228	3	BALL	4931944281	4002395707140
0229	3	CYLINDRICAL BOLT	4931365057	4002395665822
0230	1	SPINDLE SLEEVE	513100000	
0234	1	STOP DISC	4931387571	4002395791842
0235	1	SPRING	4931387413	4002395789122
0236	1	SPINDLE GEAR	611291001	4002395850693
0237	1	CLUTCH DISC	4931392751	4002395743285
0238	1	SPRING RING	4931945764	4002395707317
0248	1	STOP WASHER	4931392465	4002395745319
0339	1	SPRING RING	4931624260	4002395724604
0340	1	REDUCTION GEAR	201240003	4002395857050
0341	1	REDUCT. GEAR SHAFT	611286001	4002395856893
0343	1	GEAR WHEEL 12Z	4931387444	4002395786725

Position	Quantité	Désignation	Référence	EAN
0344	1	INTERN.GEARED WHEEL	611288001	4002395854110
0346	1	PRESSURE SPRING	4931396545	4002395794065
0347	1	COUPLING SLEEVE	611289001	4002395856312
0348	1	WOBBLE DRIVE	4931387623	4002395829101
0350	1	REDUCT GEAR WHEEL	4931453861	4002395275571
0351	1	BALL BEARING	4931624661	4002395790906
0353	1	BEARING COVER	4931387620	4002395822898
0354	1	SWITCH HANDLE	4931387439	4002395789450
0444	1	SPINDLE SLEEVE	201223003	4002395855421
0605	1	DEPTH GAUGE	4931384434	4002395719402
0700	1	CARRYING CASE	4931415325	4002395825769
1200	1	MAINTENANCE SET	4931433269	4002395896226
1201	1	CARBON BRUSH SET	4931387588	4002395798278
1202	1	FELT	4931387563	4002395836109
1203	2	HOLDING-DOWN DEVICE	4931307423	4002395593316
1204	1	REPAIR KIT	5131000000	
1206	1	SEAL RING N874724 30X37X4	4931623885	4002395704446
1207	1	SEAL RING	4931624655	4002395789849
1208	1	SEAL	4931387457	4002395789818
1209	1	SEAL RING	561994001	4002395854943
1210	1	O-RING	4931624644	4002395787975
1212	1	O-RING N874701 25X2	4931624381	4002395745289
1214	2	SCREW	4931624658	4002395790975
1215	1	SCREW	4931375897	4002395767113
1217	1	SEAL RING	4931454454	4058546008826
1218	1	O-RING	4931387348	4002395766536
1219	1	THRUST COLLAR	4931387479	4002395788477
1220	1	SEAL RING N874701 25X2	4931624391	4002395745777
1221	1	SPRING RING	4931623860	4002395704286
1223	1	SLEEVE	4931387436	4002395788620
1224	1	SPRING RING	4931623220	4002395701063
1225	1	HOLDING-DOWN DEVICE	562578001	4002395856992
1226	1	CAP	4931343123	4002395629435
0705	1	HANDLE PHE P1 A/M	4932373725	4002395352647