

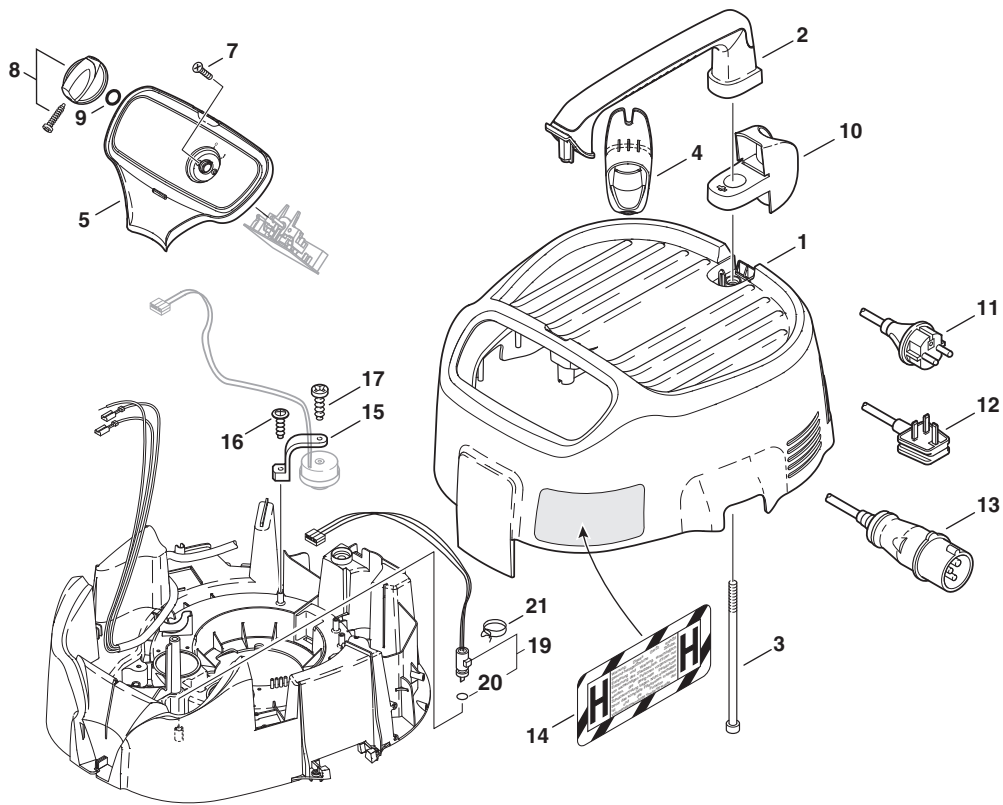
PARTS LIST



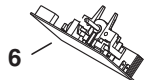
2018.10.03

TABLE OF CONTENTS

Cabinet 550-0H, 751-0H.....	1
Motor and filter 550-0H, 550-2H, 751-0H.....	3
Container 751.....	5
Frame 751.....	7
Accessories (H/M) 550, 751.....	9

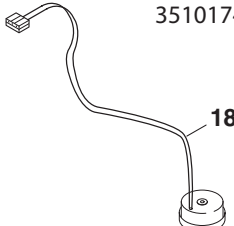


Up to serial number:
3510174801314




6

Up to serial number:
3510174801314




18

From serial number:
3510174801314

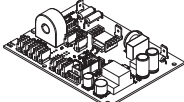


22

From serial number:
3510174801314

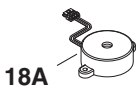


6A



6B

From serial number:
3510174801314

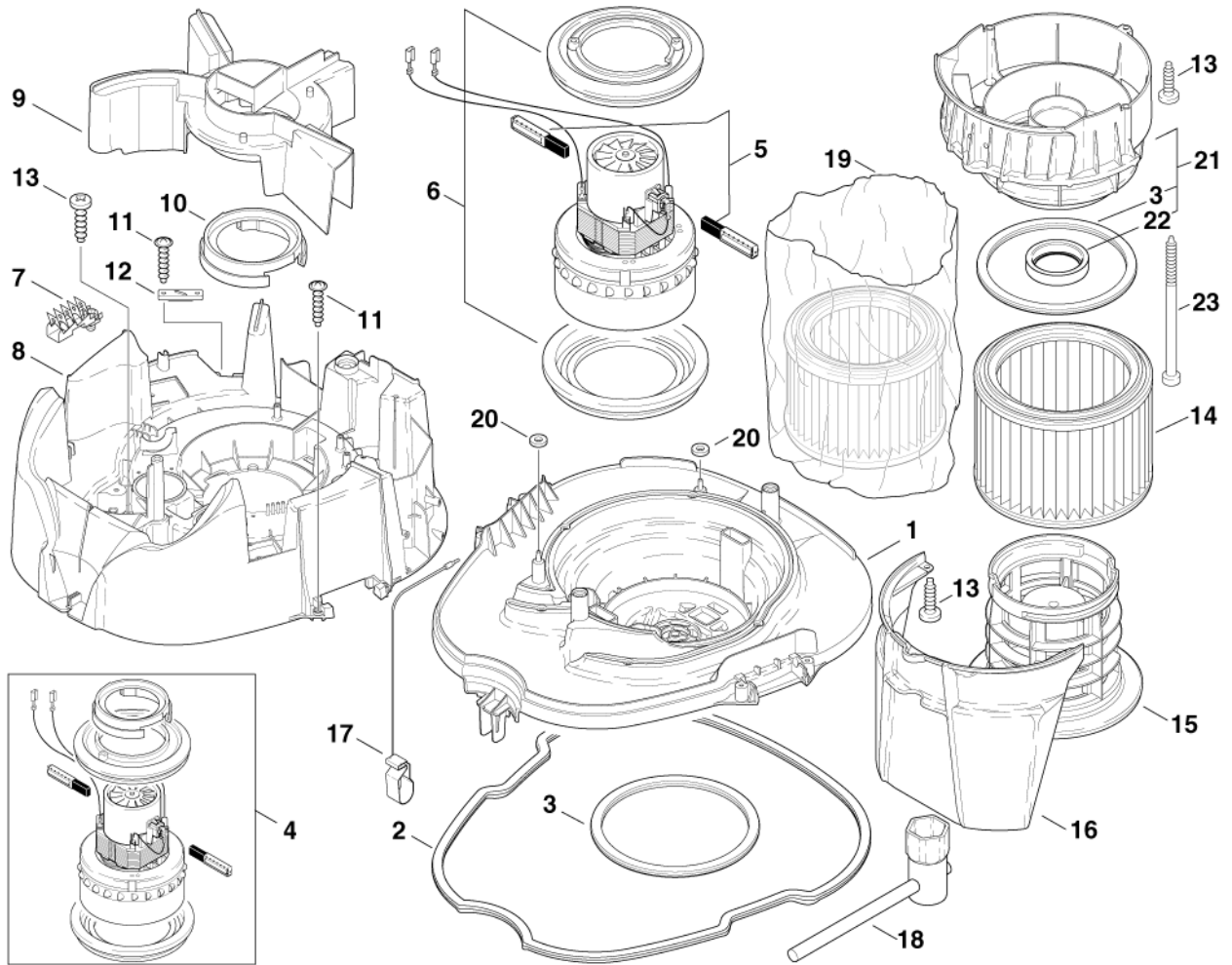


18A

Pos.	Vare-nr	Antal	Beskrivelse	Notes
00	17805	1	CARDBOARD BOX 400X 400X	[1]
1	107402652	1	Kabinet (Top)	
2	107402650	1	Løftehåndtag	
3	909100084	2	Skruer M6	
4	302000380	1	Kabelholder	
5	302000756	1	Switch Box	
6	302001292	1	ELECTR. FLOW MEASUREMENT 110-120V 0H	[2]
6	302001293	1	Electr. Flow Measurement	[3]
6A	107413448	1	ROTARY SWITCH 2 POS 16A KIT	[4]
6B	107416953	1	PCBA MH 1M-2S KIT1 220-240V	[4]
7	18274	2	Skruer M4X12	
8	909100204	1	Drejeknap	
9	9868	1	O-ring 10.0X2.5	
10	302000382	1	Rørholder	[5]
11	107402642	1	Elkabel, DK	[6]
11	107400573	1	CORD H07RN-F 3G1.5 CEE EU	[7]
12	107400270	1	CORD H05RR-F 3G1.5 BS1 363 GB	[8]
13	302000760	1	POWER CORD H07BQ-F3G1.5X	[2]
14	302001284	1	LABEL WARNING H	
15	25871	1	BRACKET	
16	11254	1	SCREW 3.5X10 WN1411	
17	14418	1	SCREW 4.2X13 ISO 7049	
18	107400579	1	Piezo Buzzer	[9]
18A	107416958	1	BUZZER KIT1	[4]
19	302000428	1	Electronic Flowsens 9X6Mm	
20	55416	1	O-RING 4.0x1.5 NBR70	
21	107400578	1	HOSE CLAMP D10	
22	107416945	1	WIRE/CAPACITOR KIT3	[4]

Part Notes:

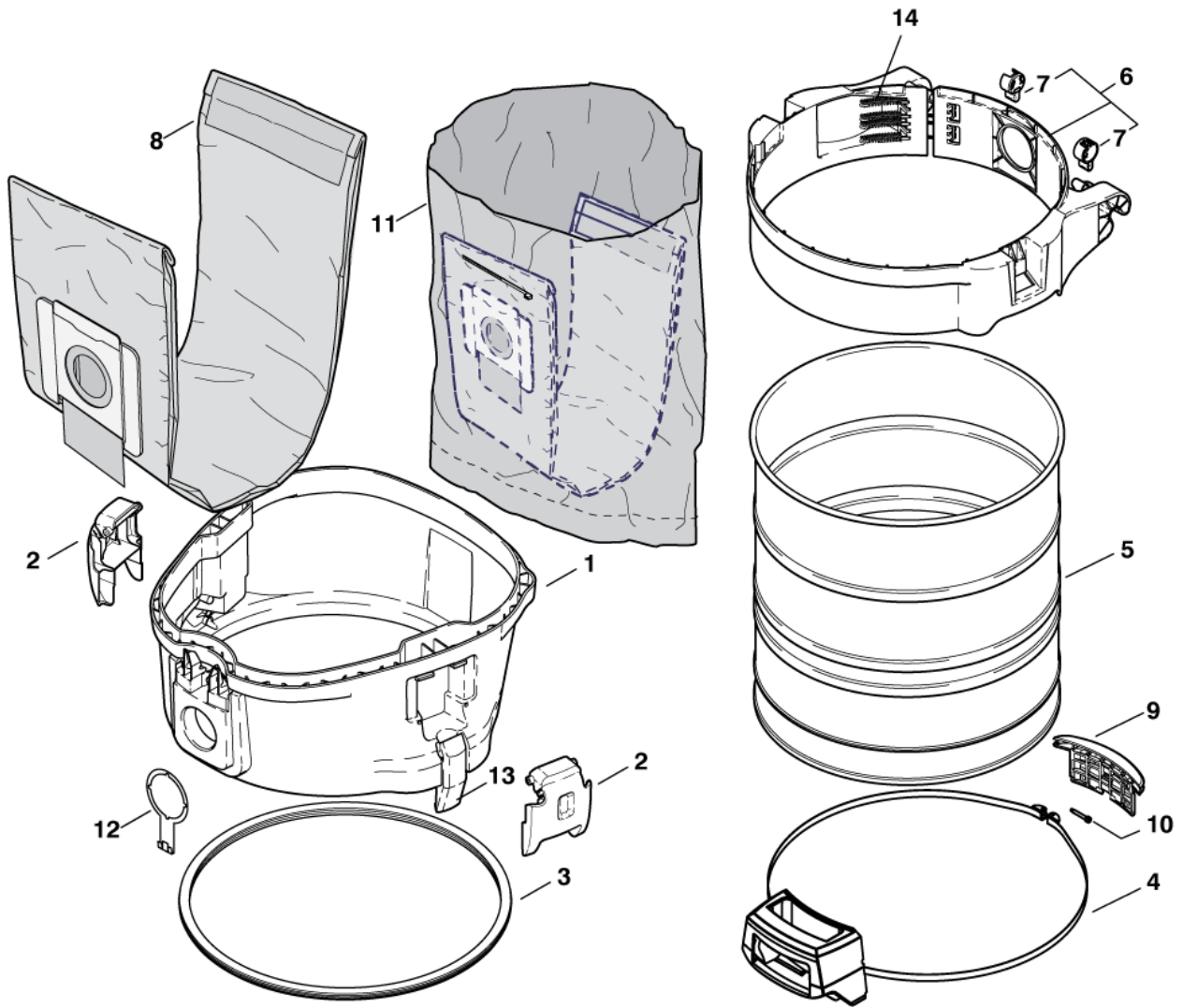
- [1] - PACKING FOR 751
GUARANTEE DATE EXPIRED
- [2] - 550-0H*GB,110V*
- [3] - 550-0H *EU*GB,230V*, 751-0H *EU*DK*
Up to serial number 3510174801314
PB-COM-LI-2018-001 ATTIX 751-0H, 765-2M XC_New Electronics
- [4] - From serial number 3510174801314
PB-COM-LI-2018-001 ATTIX 751-0H, 765-2M XC_New Electronics
- [5] - STOCK COVERS GUARANTEE
- [6] - 751-0H*DK*
- [7] - 550-0H*EU*, 751-0H*EU*
- [8] - 550-0H*GB,230V*
- [9] - Up to serial number 3510174801314
PB-COM-LI-2018-001 ATTIX 751-0H, 765-2M XC_New Electronics



Pos.	Vare-nr	Antal	Beskrivelse	Notes
1	302000372	1	Plade	
2	302000637	1	Tætning til beholder	
3	302000460	1	Tætning til filter	
4	49594	1	Motor 220V 1200W	[1]
4	49598	1	Motor - Turbine 1000W	[2]
4	26784	1	Motor 120V 1200W	[3]
5	26774	1	"Kulsæt ""M"" "	[4]
5	49625	1	Kulsæt C	[5]
5	26775	1	"Kulsæt ""L"" "	[6]
6	42538	1	"Motorpakningssæt ""C"" "	[5]
6	28875	1	"Motorpakningssæt ""L""+"M"" "	[7]
7	302004031	1	DISTRIBUTION STRIP 6-POL 16A	
8	302001286	1	SUPPORTING PLATE	
9	302000373	1	Lufffordeler	
10	47035	1	COLLAR 55 SHORE A EPDM	[8]
10	107410490	1	COLLAR	
11	11256	6	Skruer Ka3,5X18	
12	5697	1	STRAP 3X8X33	
13	909100138	8	Skruer	
14	302000658	1	Filterelement H-klasse	[9]
14	302000490	1	Filterelement PET-fleece M-klasse	[10]
15	107400577	1	Filter Support Cage -H-Se T-1	[11]
15	107402646	1	Filter Support Cage	[10]
16	302000379	1	Beskyttelsesplade	
17	61174	1	Jordkabel	
17	302000823	1	CONTACT SPRING 41.8X14 AS BR	[12]
18	107400755	1	TEE WRENCH HEXAGON 24MM DIN659	[9]
19	30082	1	Poser til filterelementer (10 stk.)	[9]
20	62359	2	GASKET 9X4X1	
21	302001641	1	ADAPTOR SUBASSEMBLE	[13]
22	302001546	1	Pakning	[13]
23	909100196	3	SCREW 5.0X90	[13]

Part Notes:

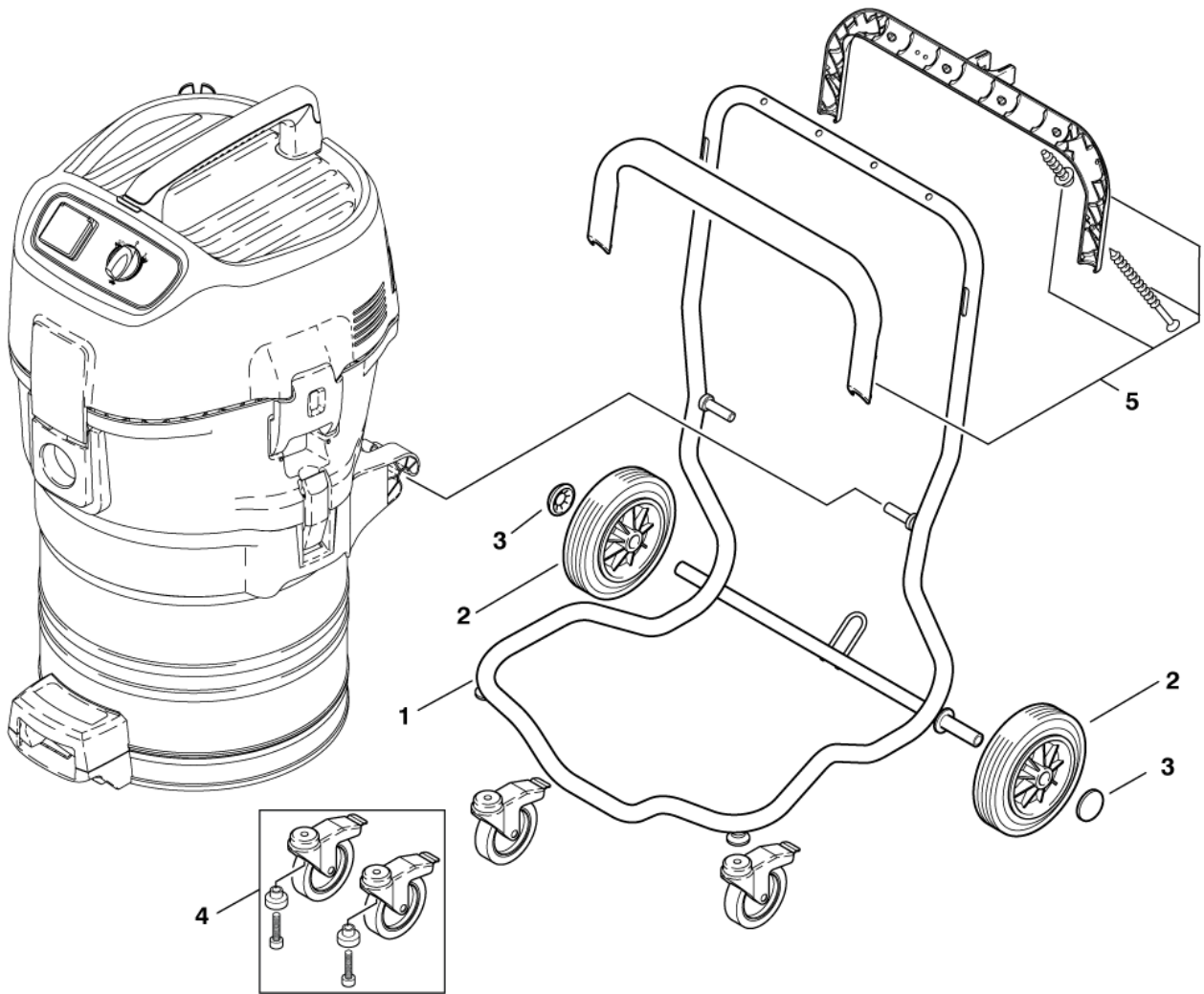
- [1] - * SEE NOTE
- [2] - 550-0H*EU*, 751-0H
- [3] - 550-2M*GB,110V*, 550-0H*GB,110V*
- [4] - FOR IDENTIF.LETTER "M"
- [5] - FOR IDENTIF.LETTER "C"
- [6] - FOR IDENTIF.LETTER "L"
- [7] - FOR IDENTIF.LETTER"L"+"M"
- [8] - 550-0H*EU*,751-0H
- [9] - 550-0H, 550-2H, 751-0H
- [10] - 550-2M, 751-2M
- [11] - 550-0H, 550-2H,751-0H
- [12] - *GB*
- [13] - 751-0H, 751-2M



Pos.	Vare-nr	Antal	Beskrivelse	Notes
1	107400257	1	Mellemring	
2	302000349	1	Lukkeclamp	
3	302001432	1	Pakning Container	
4	302001605	1	Håndtag	
5	107402657	1	Container R408X430Ss	
6	302001704	1	Belt Container 1480 Set	
7	302001441	1	Interlock ATTIX 7	
8	302001484	1	Støvsugerposer papir (5 stk.)	[1]
8	302002892	1	Støvsugerposer fleece (5 stk.)	
9	302001363	1	Holder 155X55X35	
10	302001613	1	Skruer M5X35X5	
11	302001486	1	Sikkerhedsfilterposer (5 stk.)	[2]
12	107400145	1	Ground Connector	
13	19880	1	Snaplås	
14	909100383	1	Spring 1.40X7.5X113	

Part Notes:

- [1] - 751-2M
- [2] - 751-0H

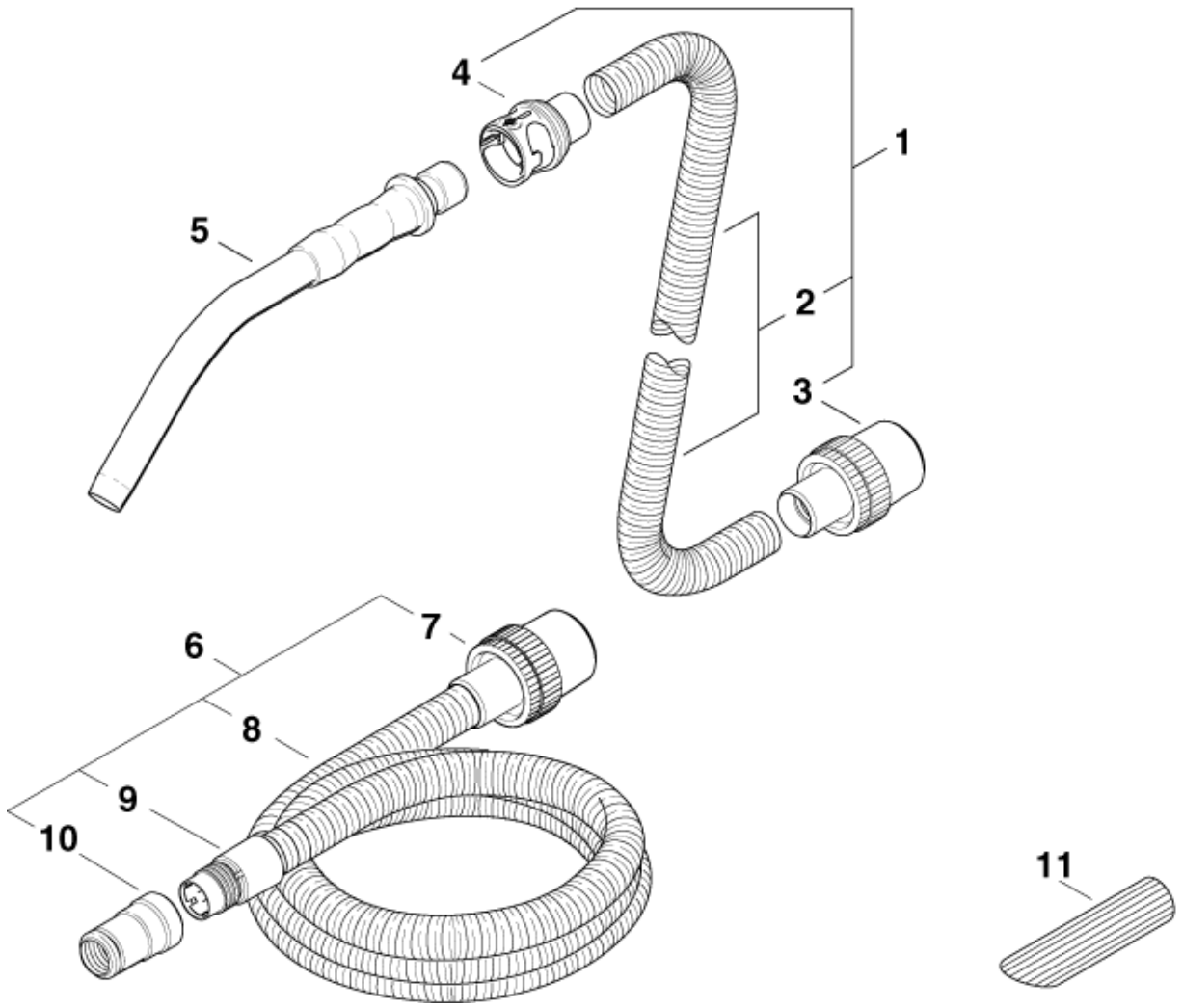


Pos.	Vare-nr	Antal	Beskrivelse	Notes
1	302001437	1	Ramme	
2	107401077	2	Hjul 200X50	[1]
3	3750	2	Lås Ø20	
4	107401054	1	Hjulsæt	[2]
5	302001706	1	Håndtag	

Part Notes:

[1] - 302000334

[2] - 2011054



Pos.	Vare-nr	Antal	Beskrivelse	Notes
1	46948	1	Sugeslange universal 3 m lynkobling Ø36	
2	11985	1	Sugeslange Ø36 pr. meter (max. 20 meter)	
3	15102	1	Slangemuffe Ø36/50	
4	107417867	1	HOSE SLEEVE Ø36 AS QUICKSYSTEM	
5	46691	1	Rørbøjning RF stål Ø36	
5	302000528	1	Rørbøjning krom-belagt lynkobling Ø36	
6	107406091	1	Sugeslange AntiStatic 3,5m Ø27 m.adapter	
7	15369	1	Slangemuffe Antistat Ø27	
8	15326	1	Sugeslange AntiStatic pr. meter Ø27	
9	63509	1	Gevindstykke Ø27	
10	107404520	1	Adapter Ø27/36	
11	5067	1	Fugemundstykke gummi 190 mm Ø36	

