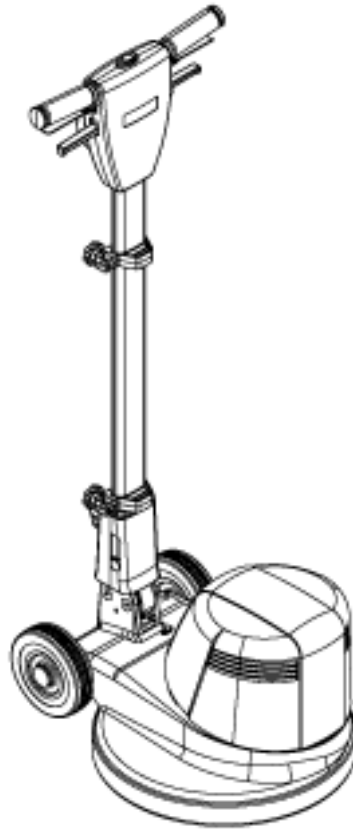


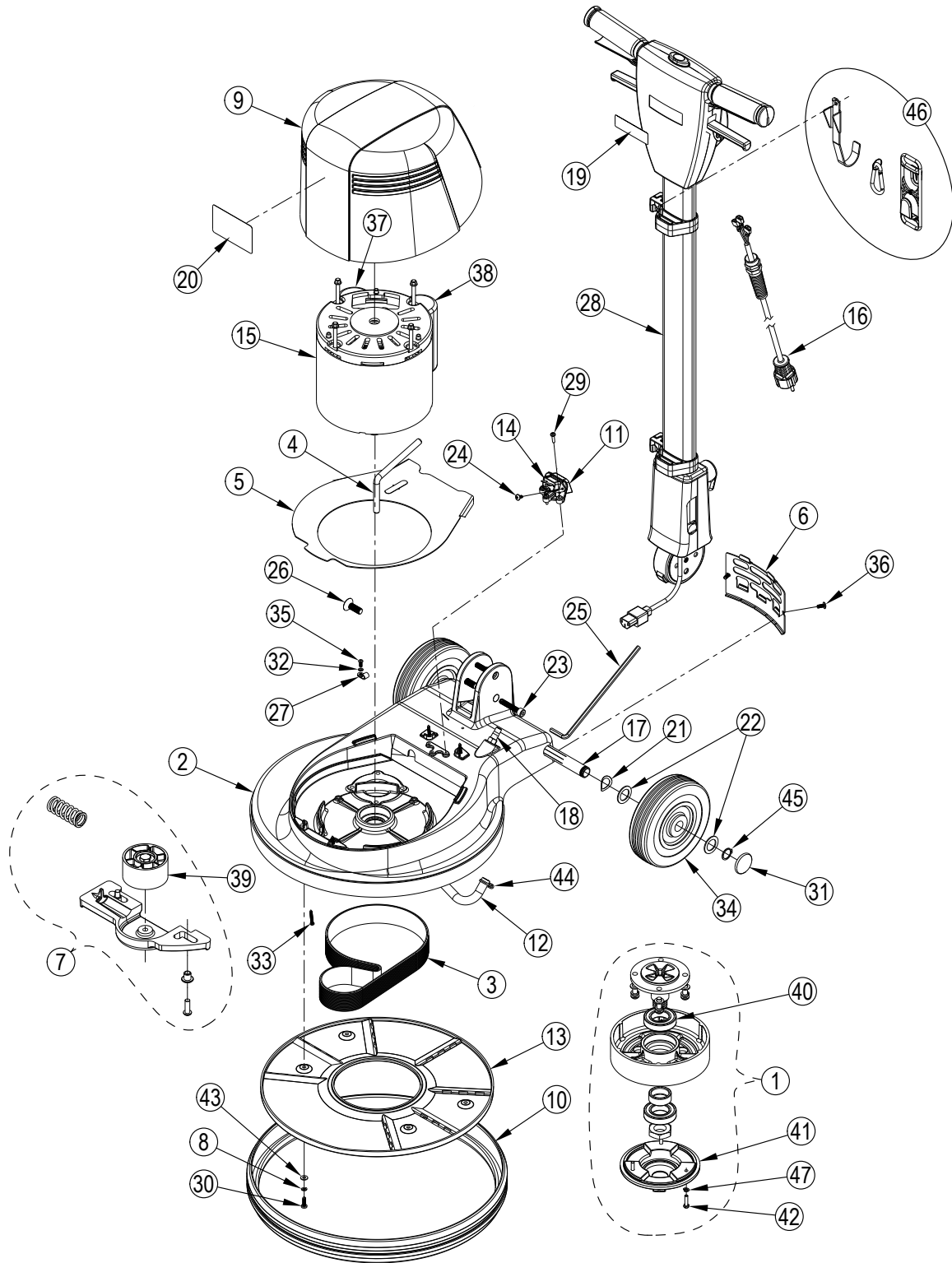
PARTS LIST



2018.10.03

TABLE OF CONTENTS

Base system SPINTEC 443	1
Handle system	4
Recommended spare parts	7
Brush selector guide	10
Accessories	12
Solution tank kit 10104A	14
Foam generator kit 11294A	16
Spray buff kit 11295A	18

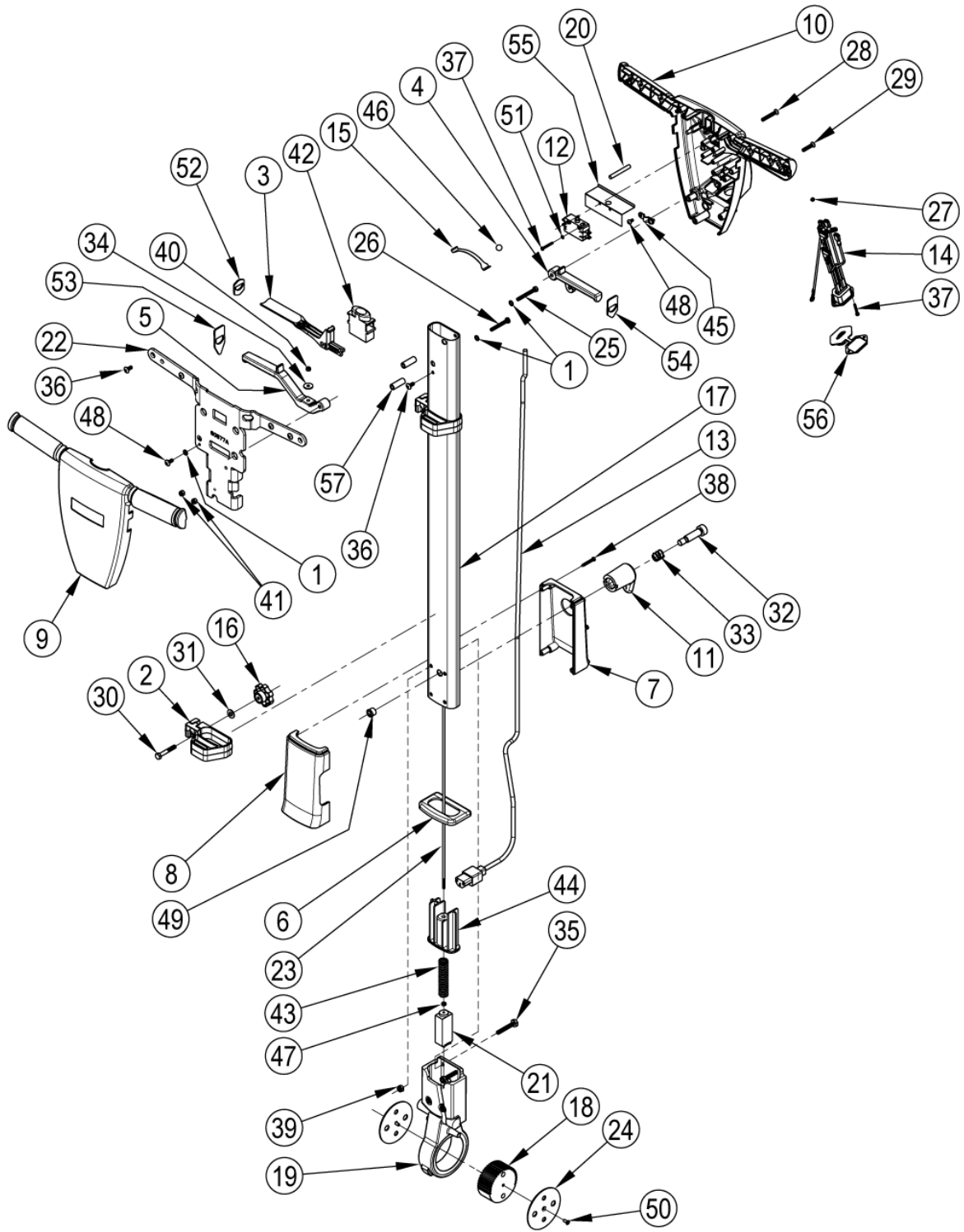


Pos.	Vare-nr	Antal	Beskrivelse	Notes
1	56380089	1	Spindel	[1]
2	56380095	1	MAINFRAME NILFISK ALTO 443	
3	56380104	1	BELT POLY V 838 PJ16	
4		1	Inlet Tubing	
5	56381565	1	COOLING PLATE	
6	56381566	1	BACK COVER	
7	56381579	1	BELT TENSION ASM	
8		4	Washer M5 Helical Lock	
9		1	Cover-Low Speed Alto	
10	30272A	1	BUMPER	
11		1	Mount Inlet	
12		1	Hose Solution	
13		1	Cover Bottom	
14		1	Inlet IEC 60320 C14	
15	56384180	1	MOTOR LOW SPEED	[2]
15	53190A	1	START SWITCH	[3]
16	40268A	1	CORD POWER	
16	40249A	1	CORD POWER UK	
17	61956A	1	Aksel	
18		1	Hosebarb Straight	
19		1	Label Handle Nilfisk	
20		1	Label Spintec 443 Mtr Cover	
21		2	Washer Bowed 20mm	
22		4	Washer Flat 20mm	
23		2	Screw M8 - 1 X 45 Socket Recess	
24		2	Screw St4.2-1.4 X16 Ss Truss Hd Ph	
25		1	Wrench Allen 6mm	
26		2	Screw M10-1.5 X 30 Flat Head	
27		1	Clamp-1/4 Cable/Tubing	
28	56382013	1	NILFISK ALTO ASM W/CEE 7/7	[4]
28	56382014	1	NILFISK ALTO ASM W/BS-1363	[5]
29		3	Scr, M4.7x16mm Pan Cross Recess Thd Form	
30		4	Screw M5-.8 X 16	
31	VA96851	2	WHEEL CAP	
32		1	Washer External Tooth M4	
33		4	Screw St4-1.4 X 30 Pan Head	
34		2	Wheel 160mm Dia. Gray	
35		1	Scr M4 X 10 SS Pan Cross Recess	
36	GT13054	2	SCREW PAN HEAD M5X12	
37	VF32109	1	RUNNING CAPACITOR 20UF/600V	
38	VF999849	1	START CAPACITOR 100F/300V	
39	56380090	1	FLAT IDLER ASM	
40	VF14061	2	BEARING 6006	
41	56380099	1	DRIVER	
42		3	Scr-Hex SS M5-0.8 x 20	
43		4	Washer M5 X 12	
44		1	Hose Clamp 10MM	
45	VF14004	2	RETAINING RING EXTERNAL f19	
46	56382010	1	CONVENIENCE KIT	
47		3	Washer M5 Helical Lock	
K1	11282A	2	Hjul kit	[6]
K2	11289A	1	DECAL KIT NILFISK ALTO	[7]
K2	11264A	1	DECAL KIT ALTO	[7]
K3	11265A	1	NILFISK ALTO MOTOR COVER KIT	[8]
K5	56382001	1	INSTALLATION TOOL AND HARDWARE KIT	[9]
K6	56380089	1	Spindel	[10]
K7	11284A	1	SOLUTION FITTINGS KIT	[11]
K8	11267A	1	BOTTOM COVER KIT	[12]
K9	11283A	1	INLET KIT	[13]

Pos.	Vare-nr	Antal	Beskrivelse	Notes
K10	56381579	1	BELT TENSION ASM	[14]

Part Notes:

- [1] - items 40,41,42,47
TSB-FC-2013-108 foam protection kit for SD
TSBFC 2013-108 FM Spintec Schaumschutz Satz
- [2] - Low Speed Motor 40258A is obsolete and replaced by 56384180. The prior version of the machine is still being used to depletion. A starting serial number will be established when the new version is built.
- [3] - Only used on 56384180 AND 56384182
- [4] - (includes 16 / PN 40268A)
- [5] - (includes 16 / PN 40249A)
- [6] - pos. 21,22,31,34
- [7] - pos. 19,20
- [8] - pos. 9,33
- [9] - pos. 23,25,26,27,32,35
- [10] - TSB-FC-2013-108 foam protection kit for SD
TSBFC 2013-108 FM Spintec Schaumschutz Satz
pos. 1,40,41,42
- [11] - pos. 4,12,18,44
- [12] - pos. 8,13,30,43
- [13] - pos. 11,24,29
- [14] - pos. 7,39



Pos.	Vare-nr	Antal	Beskrivelse	Notes
1		3	WASHER SH 1210-00	[1]
2		2	ACCESSORY CLAMP	[2]
3		2	LEVER SWITCH	[3]
4		1	LEVER SOLUTION	[3]
5		1	LEVER HANDLE ADJUSTMENT	[3]
6		1	CAP RUBBER	[4]
7		1	COVER REAR	[4]
8		1	COVER FRONT	[4]
9		1	COVER HANDLE FRONT	[5]
10		1	COVER REAR	[5]
11		1	HOOK CORD	[6]
12	40263A	1	Kontakt	
13	40269A	1	INTERCONNECT CORD	
14		1	OUTLET / WIRING ASSEMBLY	[7]
15		1	SPRING INTERLOCK BUTTON	[3]
16		2	KNOB CLAMP M6	[2]
17		1	TUBE HANDLE	[8]
18		1	INDEX GEAR	[9]
19		1	HANDLE MOUNT	[8]
20		4	PIN HANDLE SUPPORT	[3]
21		1	PLUNGER	[9]
22		1	HANDLE SUPPORT	[1]
23		1	ROD INDEX	[10]
24		2	PLATE, GEAR HOUSING	[9]
25		1	SCREW M5 X 43 SS HEX HEAD	[1]
26		1	SCREW M5 X 40 SS PAN HEAD PHILLIPS	[1]
27		2	NUT HEX M3-0.5 SS	[7]
28		4	SCREW M5 X 35 SS FLAT HEAD PHILLIPS	[5]
29		2	SCREW M5 X 25 SS FLAT HEAD PHILLIPS	[5]
30		2	SCR M6-1 X40 HEX SS	[2]
31		2	WASHER FLAT 6.6X15.8X1.5 SS	[2]
32		1	SCR SHOULDER 12MM X 35MM, M10-1.5	[6]
33		1	SPRING 15 MM X 15 MM LONG	[6]
34		1	WASHER M4 X16	[11]
35		4	SCREW M6 X 40 SS HEX HEAD	[8]
36		5	SCREW M5 X 12 SS TRUSS HEAD PHILLIPS	[1]
37		4	SCREW M3 X 25 SS PAN HEAD PHILLIPS	[12]
38		4	SCREW ST4-1.4 X 30 PAN HEAD	[4]
39		4	NUT M6 SS NYLON INSERT	[8]
40		1	NUT M4 SS NYLON INSERT	[11]
41		2	NUT M5 SS NYLON INSERT	[1]
42		1	BUTTON INTERLOCK	[3]
43		1	SPRING COMPRESSION	[10]
44		1	HOUSING SPRING BLACK	[8]
45		1	CLAMP CORD	[3]
46		1	BALL INTERLOCK 10MM	[3]
47		1	NUT M4 SS JAM	[10]
48		4	SCREW, M4 X 8 SS PAN HEAD PHILLIPS	[3]
49		1	BUSHING-OPEN/CLOSED .50	[4]
50		2	SCR M4-.7 X 10MM FLT PHILLIPS	[9]
51		2	WASHER M3 EXTERNAL TOOTH	[3]
52		2	SWITCH LEVER SEAL	[3]
53		1	RELEASE LEVER SEAL	[3]
54		1	ACCESSORY LEVER SEAL	[3]
55		1	SWITCH DRIP GUARD	[3]
56	VF73708	1	WATERPROOF CAP	
57		2	Support Handle Tube	[8]
K1	11269A	1	CORD WRAP KIT	[13]
K2	11279A	1	HANDLE COVER KIT	[14]

Pos.	Vare-nr	Antal	Beskrivelse	Notes
K3	11273A	1	HANDLE SUPPORT KIT	[15]
K4	11274A	1	Udløserkit til håndtag	[16]
K5	11286A	1	RELEASE SPRING AND ROD KIT	[17]
K6	56381560	1	POLISHER GEAR SET KIT	[18]
K7	56381561	1	POLISHER GEAR HOUSING AND TUBE KIT	[19]
K8	11270A	1	OUTLET KIT	[20]
K9	11268A	2	MOUNT ACCESSORY KIT	[21]
K10	11271A	1	REAR AND FRONT COVER KIT	[22]

Part Notes:

- [1] - K3
- [2] - K9
- [3] - K4
- [4] - K10
- [5] - K2
- [6] - K1
- [7] - K8
- [8] - K7
- [9] - K6
- [10] - K5
- [11] - K4, K5
- [12] - K4, K8
- [13] - Pos. 11, 12, 13, 32, 33
- [14] - Pos. 9, 10, 28, 29
- [15] - Pos. 1, 22, 25, 26, 36, 41
- [16] - Pos. 3, 4, 5, 15, 20, 34, 37, 40, 42, 45, 46, 48, 51, 52, 53, 54, 55
- [17] - Pos. 23, 34, 40, 43, 47
- [18] - Pos. 18, 21, 24, 50
- [19] - Pos. 17, 19, 35, 39, 44, 57
- [20] - Pos. 14, 27, 37
- [21] - Pos. 2, 16, 30, 31
- [22] - Pos. 6, 7, 8, 38, 49

**No
Diagram
Available**

**Parts List
Only**

Pos.	Vare-nr	Antal	Beskrivelse	Notes
			FINAL ASSEMBLY	
			Extra-Ordinary Maintenance	
	40268A	1	CORD POWER	
	40249A	1	CORD POWER UK	
	56382010	1	CONVENIENCE KIT	
	56382011	1	NILFISK HANDLE ASM W/CEE 7/7	[1]
	56382012	1	NILFISK HANDLE ASM W/BS-1363	[2]
			BASE SYSTEM	
			Ordinary Maintenance	
	56380090	1	FLAT IDLER ASM	
	56380099	1	DRIVER	
	56380104	1	BELT POLY V 838 PJ16	
	30272A	1	BUMPER	
	56168786	1	CIRCUIT BREAKER 13A	[3]
	56384044	1	ROTARY SWITCH	
	56384432	1	CIRCUIT BREAKER BOOT	
	47378A	1	Kontakt Kit	
	VF14061	2	BEARING 6006	
	VF32109	1	RUNNING CAPACITOR 20UF/600V	[4]
	VF999848	1	RUN CAPACITOR 23F/500V	[5]
	VF999849	1	START CAPACITOR 100F/300V	[4]
	GT17004	1	CAPACITOR	[6]
	GT17003	1	CAPACITOR	[7]
			Extra-Ordinary Maintenance	
	56380089	1	Spindel	[8]
	56380093	1	MAINFRAME NILFISK FM400	
	56380094	1	MAINFRAME NILFISK FM400 D	
	56381562	1	SADDLE START SWITCH	
	56381566	1	BACK COVER	
	56381565	1	COOLING PLATE	
	56381579	1	BELT TENSION ASM	
	11287A	1	DECAL KIT NILFISK	
	56381563	1	NILFISK MOTOR COVER KIT	
	56384153	1	COVER HIGH SPEED NILFISK KIT	
	56384047	1	COVER -DUAL SPEED NILFISK KIT	
	11267A	1	BOTTOM COVER KIT	
	11282A	2	Hjul kit	
	11283A	1	INLET KIT	
	11284A	1	SOLUTION FITTINGS KIT	
	56384180	1	MOTOR LOW SPEED	
	56384181	1	MOTOR DUAL SPEED	
	56384182	1	MOTOR HIGH SPEED	
	61956A	1	Aksel	
	53190A	1	START SWITCH	[9]
			HANDLE ASSEMBLY	
			Ordinary Maintenance	
	11268A	2	MOUNT ACCESSORY KIT	
	11274A	1	Udløserkit til håndtag	
	40263A	1	Kontakt	
			Extra-Ordinary Maintenance	
	56381560	1	POLISHER GEAR SET KIT	
	56381561	1	POLISHER GEAR HOUSING AND TUBE KIT	
	11269A	1	CORD WRAP KIT	
	11270A	1	OUTLET KIT	
	11271A	1	REAR AND FRONT COVER KIT	
	11273A	1	HANDLE SUPPORT KIT	
	11280A	1	HANDLE COVER KIT	
	11286A	1	RELEASE SPRING AND ROD KIT	
	40269A	1	INTERCONNECT CORD	

Pos.	Vare-nr	Antal	Beskrivelse	Notes
	VF73708	1	WATERPROOF CAP	

Part Notes:

- [1] - (includes PN 40268A)
- [2] - (includes PN 40249A)
- [3] - GUARANTEE DATE EXPIRED
- [4] - Spintec 443, Spintec 443 UK
- [5] - Spintec 443 H, Spintec 443 H UK, Spintec 443 DS, Spintec 443 DS UK
- [6] - Spintec 443 DS, Spintec 443 DS UK
- [7] - Spintec 443 H, Spintec 443 H UK
- [8] - TSBFC 2013-108 FM Spintec Schaumschutz Satz
TSB-FC-2013-108 foam protection kit for SD
- [9] - (Only used on 56384180 AND 56384182)

BRUSH SELECTOR GUIDE

17" (430 mm) Brush Selection Chart (RECOMMENDED)			
Part No.	Description	Filament	Trim
11296A	Polishing	Union Mix (50% PALMYRA 50% White Tampico)	Straight
11297A	Carpet	Ø .30mm PA 66 Natural	Straight
11298A	Light-Medium Cleaning	Ø .35mm PP Grey	Straight
11299A	Medium-Heavy Cleaning	Ø .50mm PP Black	Straight
11310A	Heavy Cleaning/ Stripping	50/80/30 Silicon Carbide	Irregular

Description	P/N	56380065 56380073 Spintec 443	56380066 Spintec 443 UK	56380068 56380074 Spintec 443 H	56380069 Spintec 443 H UK	56380070 56380075 Spintec 443 DS	56380071 Spintec 443 DS UK
Polishing Brush	11296A			X	X	X	X
Carpet Brush	11297A	X	X				
Light-Medium Cleaning Brush	11298A	X	X			X	X
Medium Cleaning Brush	11299A	X	X			X	X
Heavy Cleaning/Stripping Brush	11310A	X	X			X	X
Brush-Shampoo Commercial Crpt	56383868	X	X				
Pad Driver-Low Speed-430 MM	11315A	X	X			X	X
Pad Driver-High Speed-Flex	11316A			X	X	X	X
Pad Driver-High SP-Flex-Foam	56381578			X	X	X	X
BLACK 406mm PAD 5 PK		X	X			X	X
BROWN 406mm PAD 5 PK		X	X			X	X
GREEN 406mm PAD 5 PK		X	X			X	X
BLUE 406mm PAD 5 PK		X	X			X	X
RED 406mm PAD 5 PK		X	X	X	X	X	X
WHITE 406mm PAD 5 PK		X	X	X	X	X	X

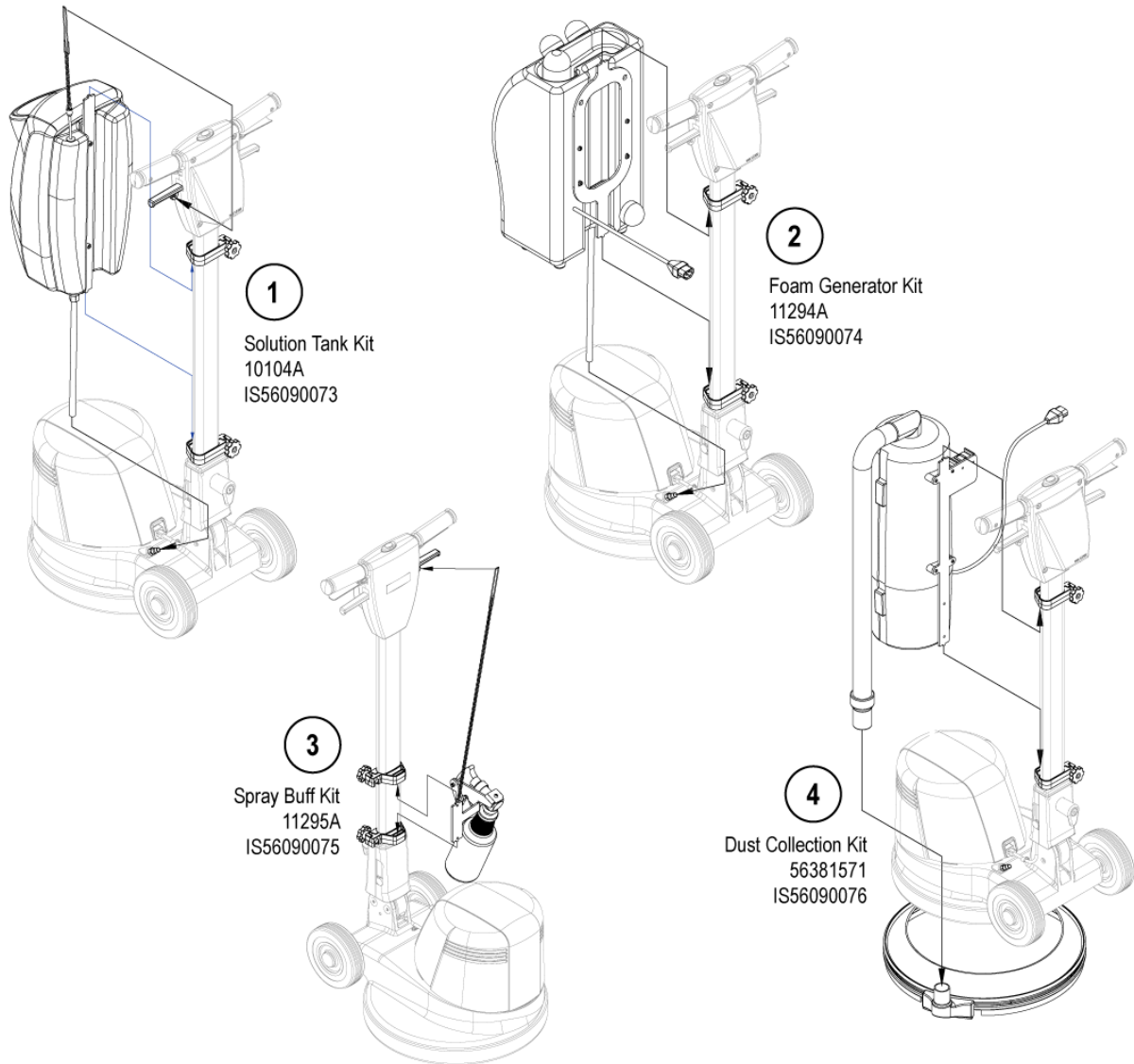
- Black** – Stripping – For long lasting, heavy duty stripping.
- Brown** – Stripping – For fast, uniform stripping, wet or dry.
- Green** – Scrubbing – For wet, heavy duty scrubbing.
- Blue** – Scrubbing – For wet, medium duty scrubbing.
- Red** – Buf ng – For dry buf ng, spray buf ng or light duty scrubbing.
- White** – Polishing – For dry polishing or with ne water mist to ensure high gloss.

Pos.	Vare-nr	Antal	Beskrivelse	Notes
01	11296A	1	Børste til polering	
02	56383868	1	Børste, shamponering Ø430 mm	
03	11298A	1	Børste til let rengøring	
04	11299A	1	Børste til medium rengøring	
05	11310A	1	Børste til kraftig rengøring	
10	11315A	1	Rondelholder lav hastighed	
11	11316A	1	Rondelholder, standard	
12	56381578	1	Flexi rondelholder med skum	

Description	P/N	56380065 Spintec 443	56380066 Spintec 443 UK	56380068 Spintec 443 H	56380069 Spintec 443 H UK	56380070 Spintec 443 DS	56380071 Spintec 443 DS UK
Literature Pack	56044439	X	X	X	X	X	X
(1) Solution Tank Kit*	10104A	X	X			X	X
(2) Foam Generator Kit*	11294A	X	X				
(3) Spray Buff Kit*	11295A	X	X	X	X	X	X
(4) Dust Collection Kit*	56381571			X	X	X	X

* = Optional, Not Included

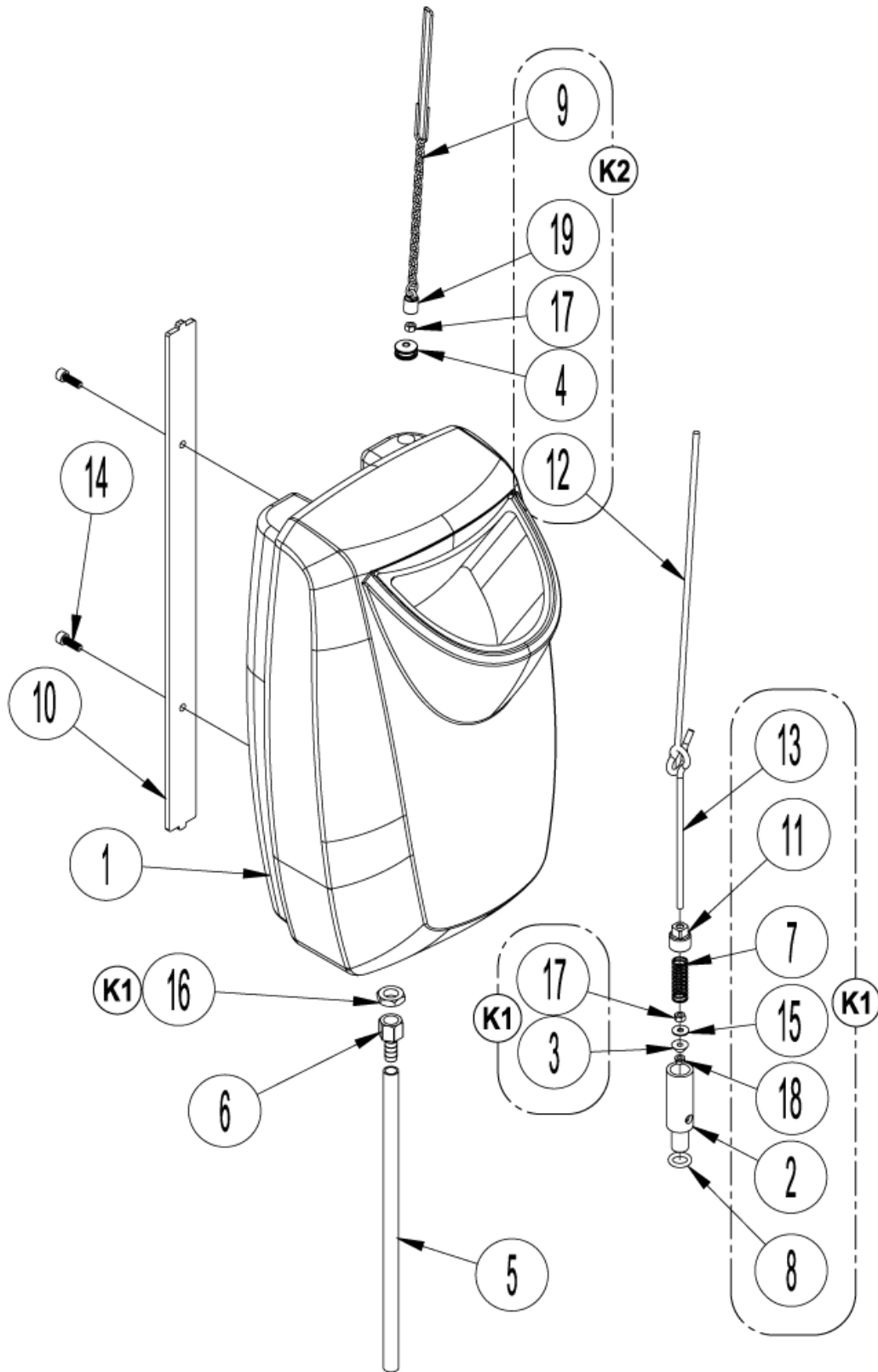
NOTE = Replacement parts for the accessory kits listed above (1-4) can be found on each kit's associated instruction sheet.



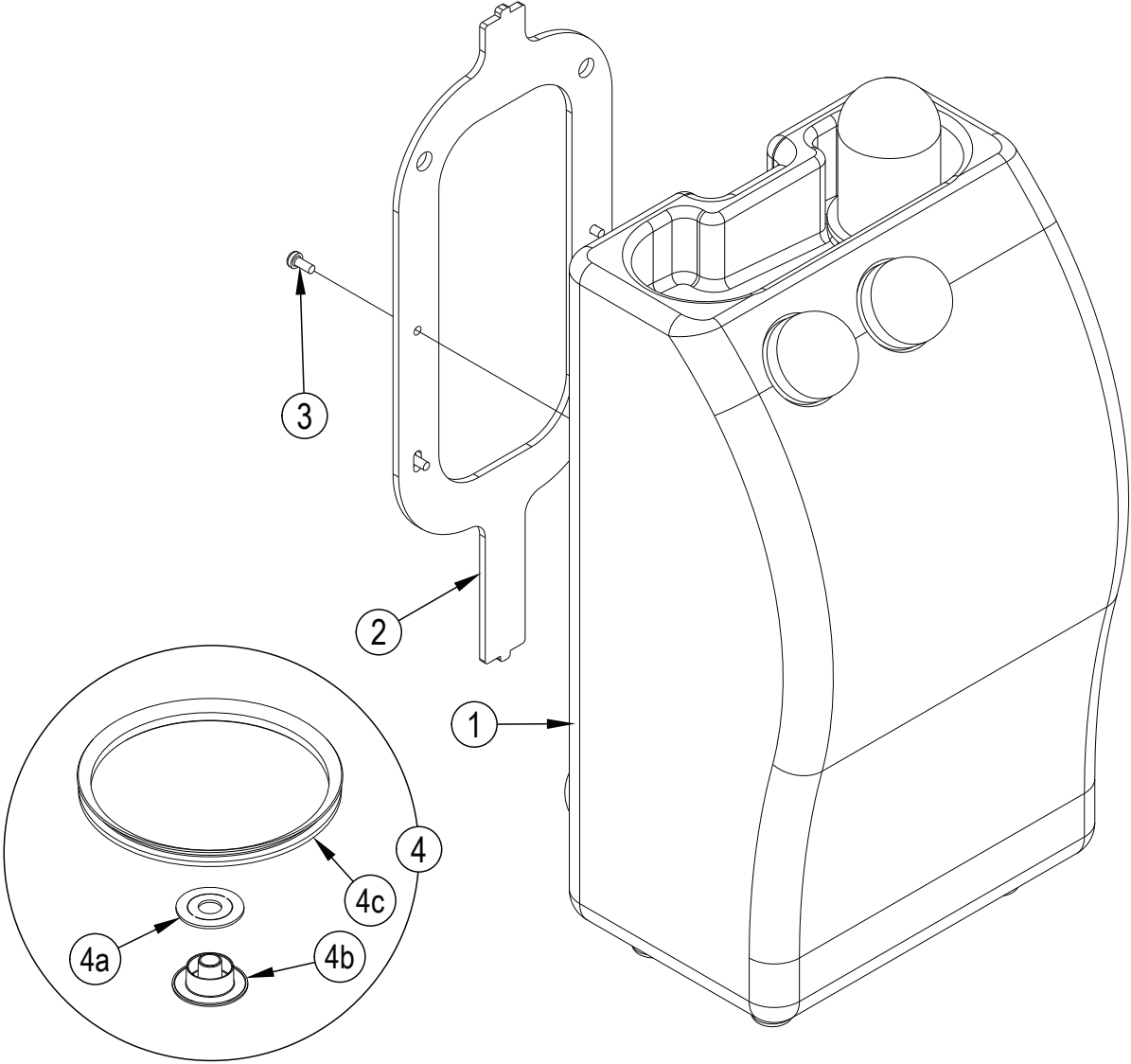
Pos.	Vare-nr	Antal	Beskrivelse	Notes
1	10104A	1	Rentvandstank	[1]
2	11294A	1	Skum-generator	[2]
3	11295A	1	Spraysystem	
4	56381571	1	Støvsuger og sideskørt kit	[3]

Part Notes:

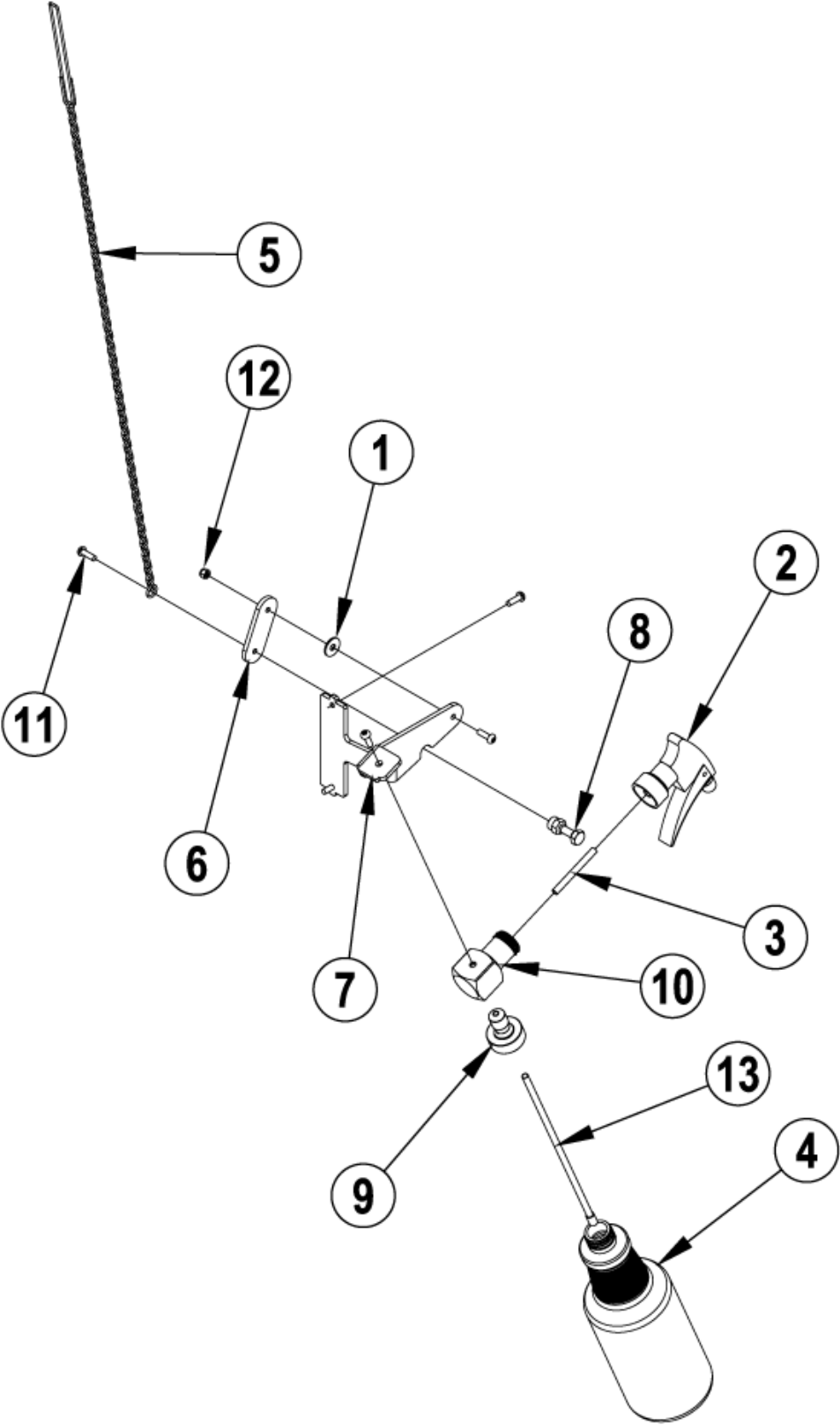
- [1] - Not for SPINTEC 443 H
- [2] - Not for SPINTEC 443 H and SPINTEC 443 D
- [3] - BOM COMPONENT OBSOLETE
Not for SPINTEC 443



Pos.	Vare-nr	Antal	Beskrivelse	Notes
00	10104A	1	Rentvandstank	
01	30249A	1	TANK SOLUTION	
02		1	BODY VALVE PLASTIC	
03	VF40134	1	SEAL RUBBER	
04		1	SEAL	
05	30869A	1	TUBING VINYL	
06	51297A	1	x	
07		1	SPRING COMPRESSION S.S.	
08		1	O-RING	
09		1	CHAIN ASM	
10	60023A	1	BRACKET MOUNTING SOLUTION TANK	
11		1	BONNET M18X1.5 NYLON	
12		1	ROD UPPER PULLING BRASS	
13		1	ROD LOWER PULLING BRASS	
14	VF13498	2	SCREW M6X20	
15		1	WASHER, PLAIN 5MM BRASS	
16		1	NUT HEX M14X1.5 BRASS	
17		2	NUT HEX M5X0.8 BRASS	
18		1	NUT HEX FLANGED M5X0.8 BRASS	
19		1	NUT EYE M5	
K1	11278A	1	SOLUTION VALVE ASSEMBLY	
K2	11277A	1	SOLUTION TANK UPPER HARDWARE KIT	



Pos.	Vare-nr	Antal	Beskrivelse	Notes
0	11294A	1	Skum-generator	
1		1	Foam generator	
2	60459A	1	BRACKET FOAM GENERATOR MOUNTING	
3		4	Scr M5- .8 X 16 Fil Cross Rec	
4	56382020	1	FM400 L SEAL KIT FOR CARPET APPLICATION	
SP	VF464041	1	KIT TANK KNOB INTAKE	
SP	VF14227	1	O-RING	
SP	VF46422-6	1	MICRO SWITCH	
SP	VF46454	1	FILTER INTAKE TANK	
SP	VF46435	1	FILTER OUTLET TANK	
SP	YQ12000	1	PUMP	
SP	VF46468	1	FAN	
SP	VF46422-8A	1	VALVE BODY	



Pos.	Vare-nr	Antal	Beskrivelse	Notes
00	11295A	1	Spraysystem	
01		1	Washerfl t.750x.250x.062Nylon	[1]
02		1	Spray Buff Pump	[2]
03		1	Tube	[3]
04		1	Bottle Plastic Quart Carafe	[4]
05		1	Chain Asm	[5]
06		1	Link Spray Buff	[6]
07		1	Bracket Spray Buff	[7]
08		1	Actuator	[8]
09		1	Mount	[9]
10		1	Adaptor	[10]
11	VA13474	5	SCREW M5 X 16	
12		1	Nut M5 Ss Nylon Insert	[11]
13		1	Tube Dip	[12]
K1	56382005	1	SPRAY BUFF REPAIR KIT	[13]

Part Notes:

- [1] - Washerfl t.750x.250x.062Nylon
- [2] - Spray Buff Pump
- [3] - Tube
- [4] - Bottle Plastic Quart Carafe
- [5] - Chain Asm
- [6] - Link Spray Buff
- [7] - Bracket Spray Buff
- [8] - Actuator
- [9] - Mount
- [10] - Adaptor
- [11] - Nut M5 Ss Nylon Insert
- [12] - Tube Dip
- [13] - Includes pos. 2,3,4,5,8,11,13

