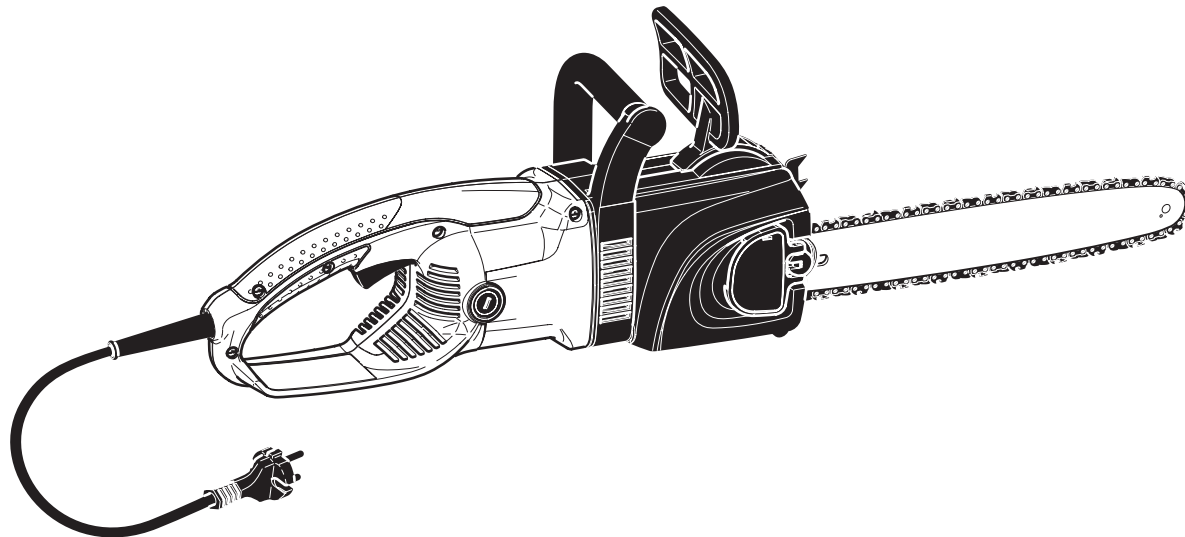




**Spare Parts List**  
**Ersatzteilliste**  
**Liste de pièces détachées**  
**Lista de piezas de repuesto**

2006-09



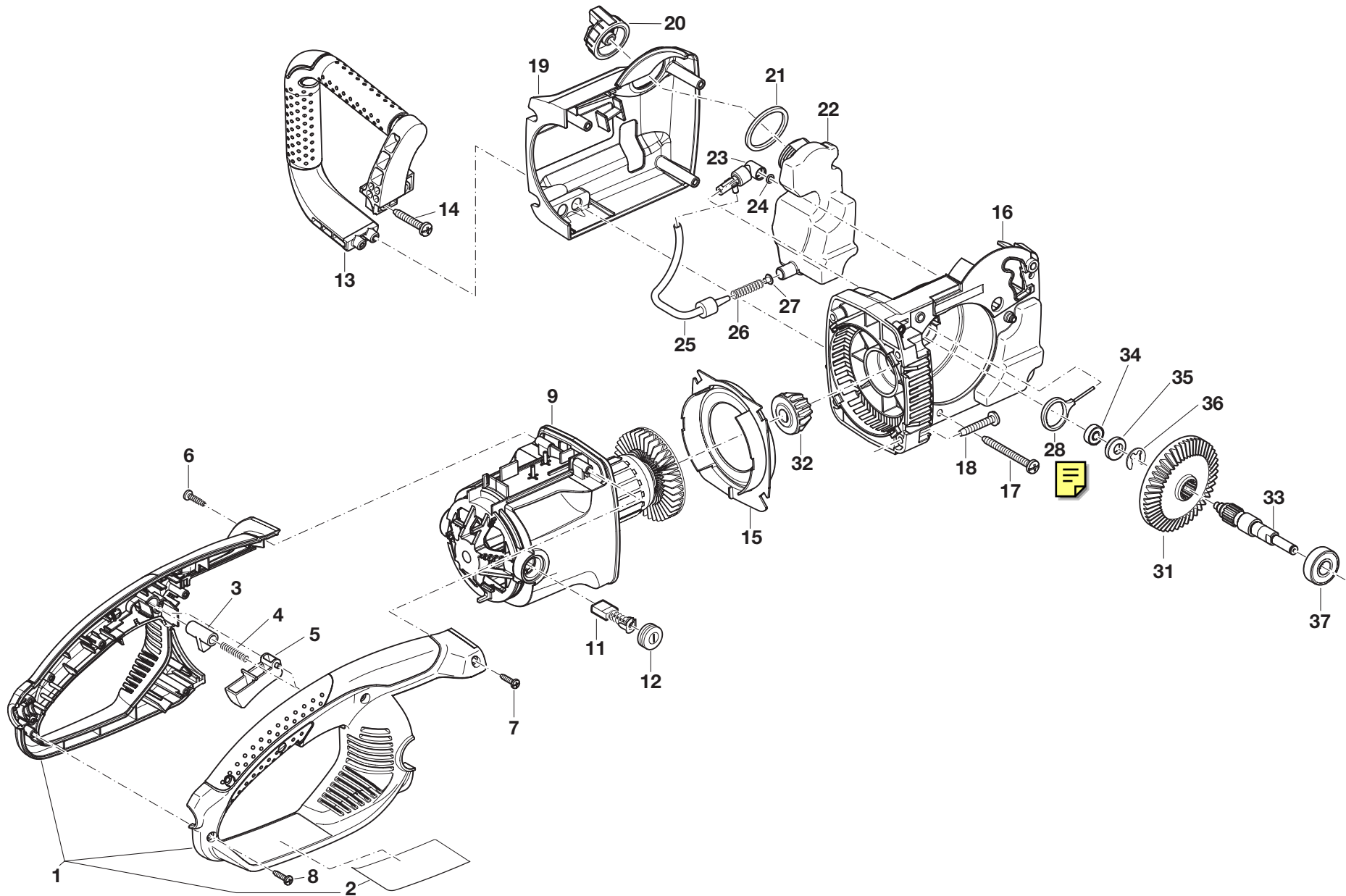
**UC3030A**  
**UC3530A**  
**UC4030A**  
**UC4530A**  
**UC3530AP**  
**UC4030AP**

995 700 738 (DE, GB, FR, ES)

UC3030A  
UC3530A UC3530AP  
UC4030A UC4030AP  
UC4530A

1

Handgriffe, Motorgehäuse, Getriebe  
Handles, motor case, gear  
Poignées, carter moteur, engrenage  
Mangos, carter motor, engranaje



UC3030A, UC3530A/AP,  
UC4030A/AP, UC4530A

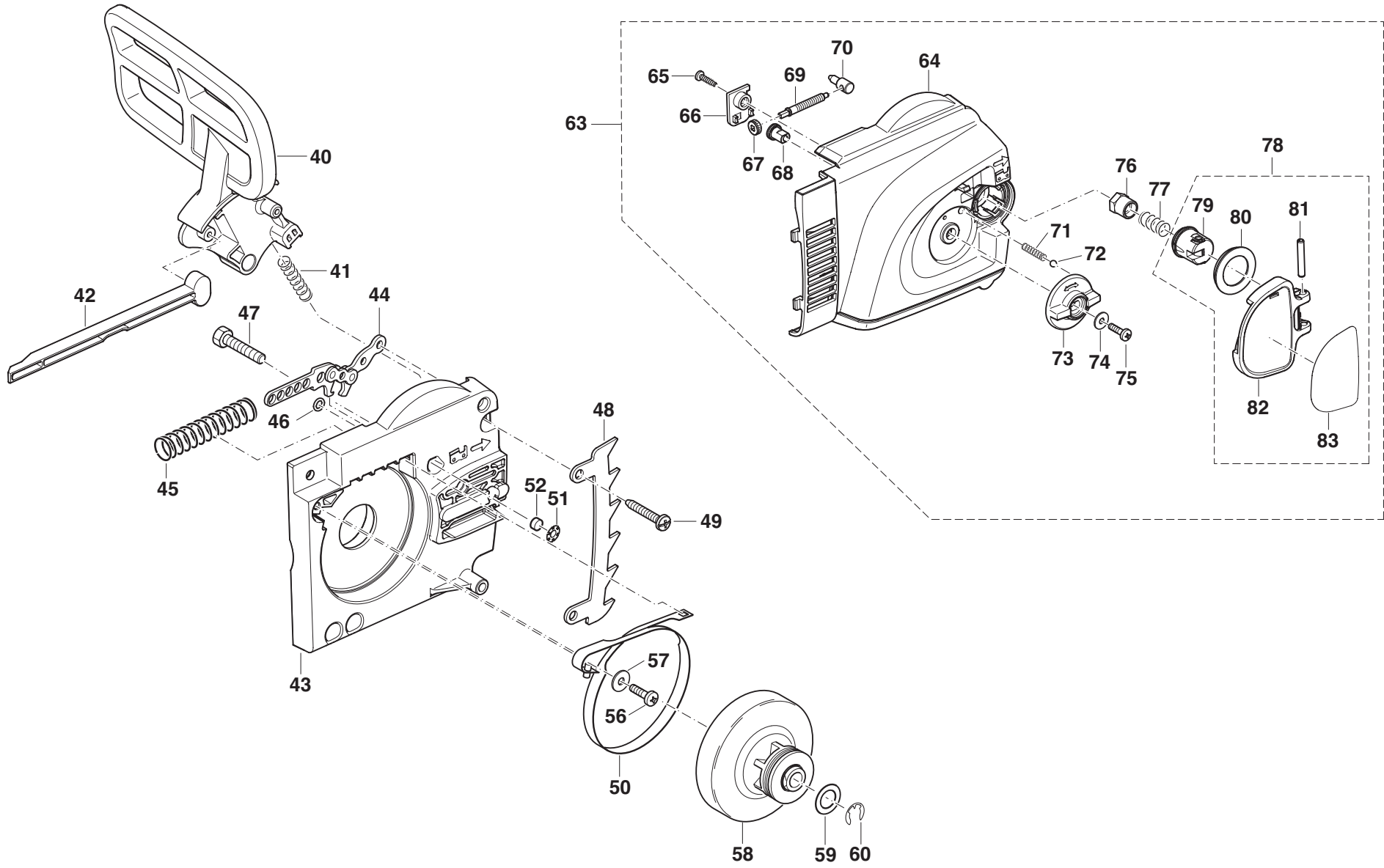


| Seite / Page | Pos. | UC3030A | UC3530A | UC4030A | UC4530A | UC3530AP | UC4030AP | Teil-Nr.<br>Part No.<br>No. de pièce<br>No. de pieza | Hinweise<br>Notes<br>Renseign.<br>Nota | Bezeichnung                | Spezifikation<br>Specification | Description           | Désignation                | Denominación              |
|--------------|------|---------|---------|---------|---------|----------|----------|--|--|----------------------------|--------------------------------|-----------------------|----------------------------|---------------------------|
| 1            | 1    | 1       | 1       | 1       | 1       | 1        | 1        | 226 310 610  | EU                                     | HANDGRIFF KPL. BLAU        | EU                             | HANDLE CPL.           | POIGNÉE CPL.               | MANGO CPL.                |
| 1            | 1    | 1       | 1       | 1       | 1       | 1        | 1        | 226 310 620  | USA, CDN                               | HANDGRIFF KPL. BLAU        | UL                             | HANDLE CPL.           | POIGNÉE CPL.               | MANGO CPL.                |
| 1            | 2    | 1       | 1       | 1       | 1       | 1        | 1        | 980 115 235  |  | SICHERHEITSAUFKLEBER       |                                | LABEL                 | PLAQUE                     | CALCOMANIA                |
| 1            | 3    | 1       | 1       | 1       | 1       | 1        | 1        | 225 144 010  |  | SPERRKNOPF                 |                                | LOCKING BUTTON        | BOUTON DE BLOCAGE          | BOTON DE BLOQUEO          |
| 1            | 4    | 1       | 1       | 1       | 1       | 1        | 1        | 225 145 010  |  | FEDER FÜR SPERRKNOPF       |                                | SPRING                | RESSORT                    | RESORTE                   |
| 1            | 5    | 1       | 1       | 1       | 1       | 1        | 1        | 226 271 010  |  | EIN- / AUSSCHALTER         |                                | SWITCH                | INTERRUPTEUR               | INTERRUPTOR               |
| 1            | 6    | 1       | 1       | 1       | 1       | 1        | 1        | 660 265 995  |  | BLECHSCHRAUBE              |                                | SCREW                 | VIS                        | TORNILLO                  |
| 1            | 7    | 1       | 1       | 1       | 1       | 1        | 1        | 660 265 995  |  | BLECHSCHRAUBE              |                                | SCREW                 | VIS                        | TORNILLO                  |
| 1            | 8    | 5       | 5       | 5       | 5       | 5        | 5        | 660 265 995  |  | BLECHSCHRAUBE              |                                | SCREW                 | VIS                        | TORNILLO                  |
| 1            | 9    | 1       | 1       | 1       | 1       | 1        | 1        | 226 111 660  |  | MOTORGEHÄUSE BLAU          |                                | MOTOR CASE            | CARTER MOTEUR              | CARTER MOTOR              |
| 1            | 11   | 1       | 1       | 1       | 1       | 1        | 1        | 957 805 410  |  | KOHLEBÜRSTE (2 STÜCK)      | SET                            | CARBON BRUSH (2 PCS.) | JEU DE BALAIS (2 PIÈ.)     | ESCOB. DE CARB. (2 PZS.)  |
| 1            | 12   | 2       | 2       | 2       | 2       | 2        | 2        | 970 805 420  |  | DECKEL FÜR KOHLEBÜRSTE     |                                | COVER                 | COUVERCLE                  | TAPA                      |
| 1            | 13   | 1       | 1       | 1       | 1       | 1        | 1        | 226 310 020  |  | BÜGELGRIFF                 |                                | TUBULAR HANDLE        | POIGNÉE TUBULAIRE          | MANGO TUBULAR             |
| 1            | 14   | 2       | 2       | 2       | 2       | 2        | 2        | 226 111 810  |  | KUNSTSTOFFSCHRAUBE         | 5X30                           | SCREW                 | VIS                        | TORNILLO                  |
| 1            | 15   | 1       | 1       | 1       | 1       | 1        | 1        | 226 118 010  |  | LUFTFÜHRUNG                |                                | AIR DUCT              | PLAQUE DE VENTILATION      | PLACA VENTILACIÓN         |
| 1            | 16   | 1       | 1       | 1       | 1       | 1        | 1        | 226 211 020  |  | GETRIEBEGEHÄUSE LINKS      |                                | GEAR HOUSING LEFT     | CARTER D' ENGRENAGE GAUCHE | CÁRTER DE ENGRANAJE IZQU. |
| 1            | 17   | 2       | 2       | 2       | 2       | 2        | 2        | 226 111 850  |  | SCHRAUBE                   | 5X55                           | SCREW                 | VIS                        | TORNILLO                  |
| 1            | 18   | 4       | 4       | 4       | 4       | 4        | 4        | 226 111 810  |  | KUNSTSTOFFSCHRAUBE         | 5X30                           | SCREW                 | VIS                        | TORNILLO                  |
| 1            | 19   | 1       | 1       | 1       | 1       | 1        | 1        | 226 211 100  | EU                                     | ABDECKUNG KPL.             | EU                             | COVER CPL.            | COUVERCLE CPL.             | CUBIERTA CPL.             |
| 1            | 19   | 1       | 1       | 1       | 1       | 1        | 1        | 226 211 120  |  | ABDECKUNG KPL.             |                                | COVER CPL.            | COUVERCLE CPL.             | CUBIERTA CPL.             |
| 1            | 19   | 1       | 1       | 1       | 1       | 1        | 1        | 226 211 110  | USA, CDN                               | ABDECKUNG KPL.             | UL                             | COVER CPL.            | COUVERCLE CPL.             | CUBIERTA CPL.             |
| 1            | 20   | 1       | 1       | 1       | 1       | 1        | 1        | 226 114 100  |  | ÖLTANKDECKEL KPL.          |                                | TANK CAP CPL.         | BOUCHON RESERVOIR CPL.     | TORNILLO DE CIERRE CPL.   |
| 1            | 21   | 1       | 1       | 1       | 1       | 1        | 1        | 226 114 060  |  | GEHÄUSEDICHTUNG FÜR ÖLTANK |                                | GASKET                | JOINT                      | JUNTA                     |
| 1            | 22   | 1       | 1       | 1       | 1       | 1        | 1        | 226 114 020  |  | ÖLTANK                     |                                | OIL TANK              | RÉSERVOIR D' HUILE         | DEPÓSITO DE ACEITE        |
| 1            | 23   | 1       | 1       | 1       | 1       | 1        | 1        | 226 245 101  |  | ÖLPUMPE KPL.               |                                | OIL PUMP CPL.         | POMPE À HUILE CPL.         | BOMBA DE ACEITE CPL.      |
| 1            | 24   | 1       | 1       | 1       | 1       | 1        | 1        | 963 206 018  |  | O-RING                     | 5,5X1,8                        | O-RING                | BAGUE-JOINT                | ANILLO DE GUARNICIÓN      |
| 1            | 25   | 1       | 1       | 1       | 1       | 1        | 1        | 226 245 210  |  | SAUGLEITUNG                |                                | SUCTION LINE          | CONDUITE D' ASPIR.         | CONDUCTO DE ASPIR.        |
| 1            | 26   | 1       | 1       | 1       | 1       | 1        | 1        | 021 245 060  |  | DRUCKFEDER                 |                                | SPRING                | RESSORT                    | RESORTE                   |
| 1            | 27   | 1       | 1       | 1       | 1       | 1        | 1        | 021 245 100  |  | STOPFEN                    |                                | PLUG                  | BOUCHON                    | TAPÓN                     |
| 1            | 28   | 1       | 1       | 1       | 1       | 1        | 1        | 226 245 060  |  | ÖLPUMPENKOLBEN             |                                | PISTON                | PISTON                     | PISTÓN                    |
| 1            | 31   | 1       | 1       | 1       | 1       | 1        | 1        | 225 221 012  |  | ZAHNRAD KPL.               | Z=43                           | GAER WHEEL CPL.       | ROUE DENTEE                | PINON                     |
| 1            | 32   | 1       | 1       | 1       | 1       | 1        | 1        | 225 222 010  |  | RITZEL                     | Z=14                           | PINION                | PIGNON                     | PINON                     |
| 1            | 33   | 1       | 1       | 1       | 1       | 1        | 1        | 226 221 020  |  | WELLE                      |                                | SPIKE BAR CPL.        | BARRE DENTÉE CPL.          | BARRA DENTADA CPL.        |
| 1            | 34   | 1       | 1       | 1       | 1       | 1        | 1        | 960 101 064  |  | KUGELLAGER                 | 606ZZ                          | BALL BEARING          | RUOLEMENT A'BILLES         | RODAMIENTO DE BOLAS       |
| 1            | 35   | 1       | 1       | 1       | 1       | 1        | 1        | 226 245 050  |  | EXENTERSCHEIBE             |                                | WASHER                | DISQUE                     | ARANDELA                  |
| 1            | 36   | 1       | 1       | 1       | 1       | 1        | 1        | 930 110 120  |  | SICHERUNGSSCHEIBE          | 10X1,2                         | LOCK WASHER           | RONDELLE DE SECURITE       | ARANDELA SEGURIDAD        |
| 1            | 37   | 1       | 1       | 1       | 1       | 1        | 1        | 960 102 124  |  | KUGELLAGER                 | 6201 2Z                        | BALL BEARING          | ROULEMENT A'BILLES         | RODAMIENTO DE BOLAS       |

UC3030A  
UC3530A UC3530AP  
UC4030A UC4030AP  
UC4530A

2

Ölpumpe, Kupplung, Kettenbremse  
Oil pump, clutch, chain brake  
Pompe a huile, embrayage, frein de chaîne  
Bomba de aceite, embrague, freno de cadena



UC3030A, UC3530A/AP,  
UC4030A/AP, UC4530A



| Seite / Page | Pos. | UC3030A | UC3530A | UC4030A | UC4530A | UC3530AP | UC4030AP | Teil-Nr.<br>Part No.<br>No. de pièce<br>No. de pieza | Hinweise<br>Notes<br>Renseign.<br>Nota | Bezeichnung              | Spezifikation<br>Specification | Description              | Désignation                 | Denominación              |
|--------------|------|---------|---------|---------|---------|----------|----------|--|--|--------------------------|--------------------------------|--------------------------|-----------------------------|---------------------------|
| 2            | 40   | 1       | 1       | 1       | 1       | 1        | 1        | 226 213 020  |  | HANDSCHUTZ               |                                | HAND GUARD               | PROTÈGE-MAIN                | PROTECTOR DE MANO         |
| 2            | 41   | 1       | 1       | 1       | 1       | 1        | 1        | 225 213 060  |  | FEDER FÜR HANDSCHUTZ     |                                | SPRING                   | RESSORT                     | RESORTE                   |
| 2            | 42   | 1       | 1       | 1       | 1       | 1        | 1        | 226 144 030  |  | SCHALTSTANGE             |                                | SWITCH ROD               | TRINGLE DE COMMANDE         | VARA CONMUTADORA          |
| 2            | 43   | 1       | 1       | 1       | 1       | 1        | 1        | 226 211 015  |  | GETRIEBEGEHÄUSE RECHTS   |                                | GEAR HOUSING RIGHT       | CARTER D' ENGRENAGE DROIT   | CÁRTER DE ENGRANAJE DER.  |
| 2            | 44   | 1       | 1       | 1       | 1       | 1        | 1        | 028 213 532  |  | BREMSBANDHALTER KPL.     |                                | BRAKE SPRING HOLDER CPL. | SUPPORT DE RESSORT DE FREIN | SOPORTE DE CINTA DE FRENO |
| 2            | 45   | 1       | 1       | 1       | 1       | 1        | 1        | 028 213 210  |  | SPEICHERFEDER            |                                | SPRING                   | RESSORT                     | RESORTE                   |
| 2            | 46   | 1       | 1       | 1       | 1       | 1        | 1        | 963 206 018  |  | O-RING                   | 5,5X1,8                        | O-RING                   | BAGUE-JOINT                 | ANILLO DE GUARNICIÓN      |
| 2            | 47   | 1       | 1       | 1       | 1       | 1        | 1        | 900 208 304  |  | 6KT-SCHRAUBE             | M8X30                          | SCREW                    | VIS                         | TORNILLO                  |
| 2            | 48   | 1       | 1       | 1       | 1       | 1        | 1        | 226 250 010  |  | ZACKENLEISTE             |                                | SPIKE BAR CPL.           | BARRE DENTEE CPL.           | BARRA DENTADA CPL.        |
| 2            | 49   | 2       | 2       | 2       | 2       | 2        | 2        | 226 111 810  |  | KUNSTSTOFFSCHRAUBE       | 5X30                           | SCREW                    | VIS                         | TORNILLO                  |
| 2            | 50   | 1       | 1       | 1       | 1       | 1        | 1        | 226 213 050  |  | BREMSBAND                |                                | BRAKE BAND               | RESSORT DE FREIN            | CINTA DE FRENO            |
| 2            | 51   | 1       | 1       | 1       | 1       | 1        | 1        | 226 211 040  |  | KLEMMRING                |                                | CLAMPING RING            | ANNEAU DE SERRAGE           | ANILLO DE SUJECIÓN        |
| 2            | 52   | 1       | 1       | 1       | 1       | 1        | 1        | 226 211 050  |  | FILZ                     |                                | FELT                     | FEUTRE                      | FILTRO                    |
| 2            | 56   | 1       | 1       | 1       | 1       | 1        | 1        | 226 111 820  |  | TAPTITE-SCHRAUBE         | 4X12                           | SCREW                    | VIS                         | TORNILLO                  |
| 2            | 57   | 1       | 1       | 1       | 1       | 1        | 1        | 924 204 320  |  | SCHEIBE                  | 4,3X12X1,2 *522                | WASHER                   | DISQUE                      | ARANDELA                  |
| 2            | 58   | 1       | 1       | 1       | 1       | 1        | 1        | 226 223 110  |  | KUPPLUNGSTROMMEL KPL.    | 3/8"                           | CLUTCH DRUM CPL.         | TAMBOUR CPL.                | TAMBOR CPL.               |
| 2            | 59   | 1       | 1       | 1       | 1       | 1        | 1        | 221 229 180  |  | DISTANZSCHEIBE           | 8,0X14,0X0,5                   | WASHER                   | RONDELLE                    | ARANDELA                  |
| 2            | 60   | 1       | 1       | 1       | 1       | 1        | 1        | 930 106 070  |  | SICHERUNGSSCHEIBE        |                                | LOCK WASHER              | RONDELLE DE SECURITE        | ARANDELA SEGURIDAD        |
| 2            | 63   | 1       | 1       | 1       | 1       | 1        | 1        | 226 213 400  |  | KETTENRADSCHUTZ TLC KPL. |                                | GRIP                     | POIGNEE                     | MANGO                     |
| 2            | 64   | 1       | 1       | 1       | 1       | 1        | 1        | 226 213 100  |  | KETTENRADSCHUTZ KPL.     |                                | SPROCKET GUARD           | PROTÈGE-PIGNON              | PROTECTOR DE PIÑON        |
| 2            | 65   | 1       | 1       | 1       | 1       | 1        | 1        | 320 266 007  |  | GEWINDESCHNEIDSCHRAUBE   |                                | SCREW                    | VIS                         | TORNILLO                  |
| 2            | 66   | 1       | 1       | 1       | 1       | 1        | 1        | 226 213 370  |  | KETTENSCHNABDECKUNG      |                                | COVER                    | COUVERCLE                   | CUBIERTA                  |
| 2            | 67   | 1       | 1       | 1       | 1       | 1        | 1        | 226 213 320  |  | KEGELRAD                 | 5 Z14                          | BEVEL GEAR               | ROUE CONIQUE                | ENGRANAJE CÓNICO          |
| 2            | 68   | 1       | 1       | 1       | 1       | 1        | 1        | 226 213 330  |  | KEGELRAD                 | 14 Z14                         | BEVEL GEAR               | ROUE CONIQUE                | ENGRANAJE CÓNICO          |
| 2            | 69   | 1       | 1       | 1       | 1       | 1        | 1        | 226 213 310  |  | SPANNSCHRAUBE            |                                | SCREW                    | VIS                         | TORNILLO                  |
| 2            | 70   | 1       | 1       | 1       | 1       | 1        | 1        | 226 213 410  |  | SPANNMUTTER              |                                | NUT                      | ECROU                       | TUERCA                    |
| 2            | 71   | 1       | 1       | 1       | 1       | 1        | 1        | 170 213 690  |  | FEDER FÜR STAHLKUGEL     |                                | SPRING                   | RESSORT                     | RESORTE                   |
| 2            | 72   | 1       | 1       | 1       | 1       | 1        | 1        | 170 213 770  |  | STAHLKUGEL               |                                | LOCKING BALL             | BILLE D'ARRET               | BOLA DE TOPE              |
| 2            | 73   | 1       | 1       | 1       | 1       | 1        | 1        | 226 213 340  |  | SPANNRAD                 |                                | TENSIONING WHEEL         | ROUE DE SERRAGE             | RUEDA TENSORA             |
| 2            | 74   | 1       | 1       | 1       | 1       | 1        | 1        | 924 204 020  |  | SCHEIBE                  | 4X12X0,5                       | WASHER                   | DISQUE                      | ARANDELA                  |
| 2            | 75   | 1       | 1       | 1       | 1       | 1        | 1        | 226 213 380  |  | SCHRAUBE                 | M4X8                           | SCREW                    | VIS                         | TORNILLO                  |
| 2            | 76   | 1       | 1       | 1       | 1       | 1        | 1        | 226 213 040  |  | KLEMMMUTTER              | M8                             | NUT                      | ECROU                       | TUERCA                    |
| 2            | 77   | 1       | 1       | 1       | 1       | 1        | 1        | 170 213 730  |  | FEDER FÜR KLEMM-MUTTER   |                                | SPRING                   | RESSORT                     | RESORTE                   |
| 2            | 78   | 1       | 1       | 1       | 1       | 1        | 1        | 226 213 300  |  | FLÜGELGRIFF KPL.         |                                | GRIP CPL.                | POIGNEE CPL.                | MANGO CPL.                |
| 2            | 79   | 1       | 1       | 1       | 1       | 1        | 1        | 226 213 360  |  | GRIFFHALTER              |                                | SUPPORT                  | SUPPORT                     | SOPORTE                   |
| 2            | 80   | 1       | 1       | 1       | 1       | 1        | 1        | 170 213 780  |  | ABDECKRING               | TLC                            | WASHER                   | RONDELLE                    | ARANDELA                  |
| 2            | 81   | 1       | 1       | 1       | 1       | 1        | 1        | 934 940 280  |  | SPANNHÜLSE               | 4X28                           | CLAMPING SLEEVE          | DOUILLE DE SERRAGE          | CASQUILLO TENSOR          |
| 2            | 82   | 1       | 1       | 1       | 1       | 1        | 1        | 226 213 350  |  | FLÜGELGRIFF              |                                | GRIP                     | POIGNEE                     | MANGO                     |
| 2            | 83   | 1       | 1       | 1       | 1       | 1        | 1        | 980 115 236  |  | AUFKLEBER BEDIENHINWEISE |                                | LABEL                    | PLAQUE                      | CALCOMANIA                |

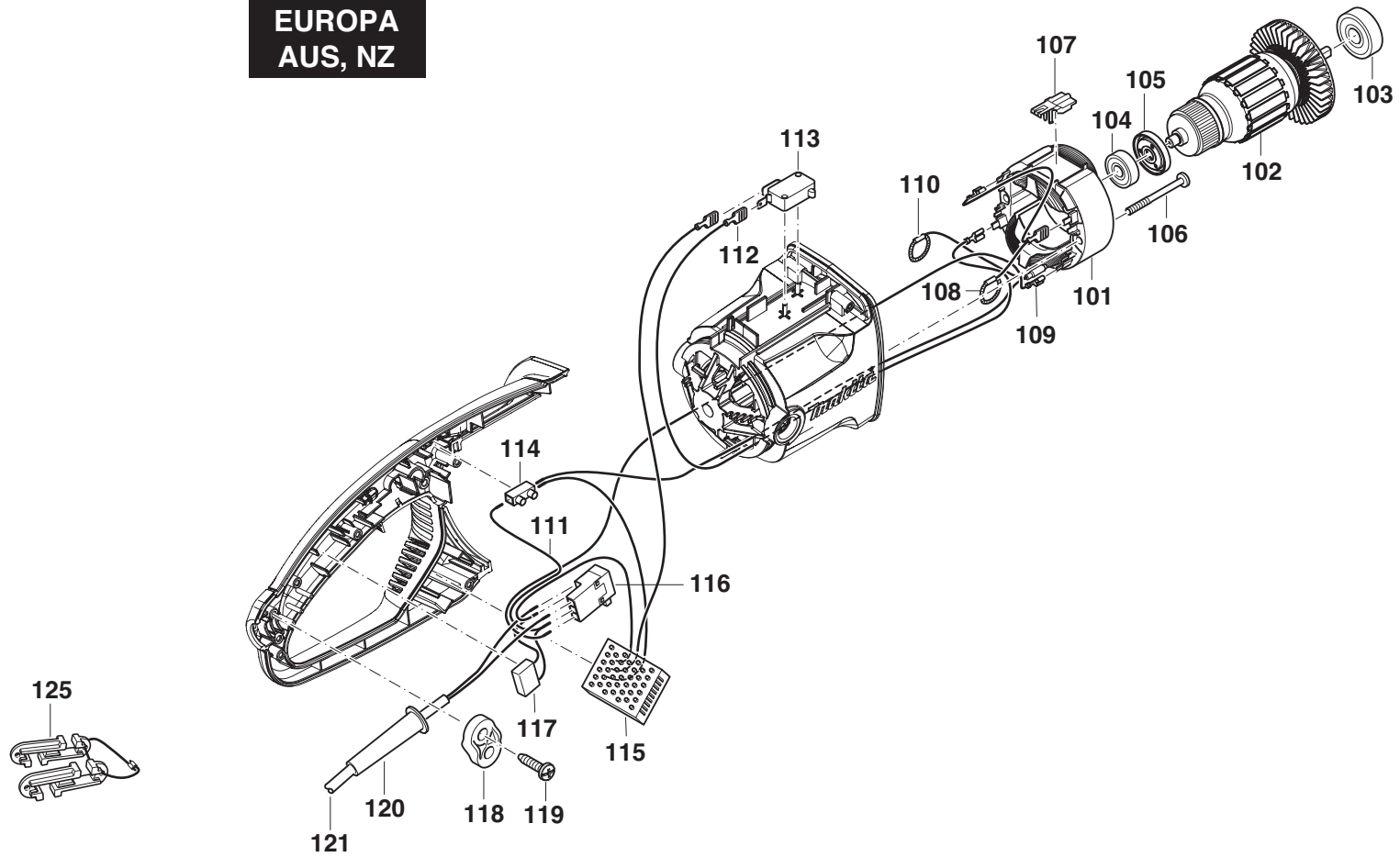
UC3030A  
UC3530A UC3530AP  
UC4030A UC4030AP  
UC4530A

3

Motor, Kabel, Schalter  
Motor, cable, switch  
Moteur, câble, interrupteur  
Motor, cable, interruptor



EUROPA  
AUS, NZ



UC3030A, UC3530A/AP,  
UC4030A/AP, UC4530A



| Seite / Page | Pos. | UC3030A | UC3530A | UC4030A | UC4530A | UC3530AP | UC4030AP | Teil-Nr.<br>Part No.<br>No. de pièce<br>No. de pieza | Hinweise<br>Notes<br>Renseign.<br>Nota | Bezeichnung                        | Spezifikation<br>Specification | Description           | Désignation        | Denominación               |
|--------------|------|---------|---------|---------|---------|----------|----------|--|--|------------------------------------|--------------------------------|-----------------------|--------------------|----------------------------|
| 3            | 101  | 1       | 1       | 1       | 1       | 1        | 1        | 970 805 230  | EU, AUS, NZ                            | STATOR                             | 240 V                          | STATOR                | STATOR             | ESTATOR                    |
| 3            | 101  | 1       | 1       | 1       | 1       | 1        | 1        | 970 805 210  | U.K.                                   | STATOR                             | 115 V (GB)                     | STATOR                | STATOR             | ESTATOR                    |
| 3            | 102  | 1       | 1       | 1       | 1       | 1        | 1        | 970 805 330  | EU, AUS, NZ                            | ROTOR                              | 240 V                          | ROTOR                 | ROTOR              | ROTOR                      |
| 3            | 102  | 1       | 1       | 1       | 1       | 1        | 1        | 970 805 310  | U.K.                                   | ROTOR                              | 115 V                          | ROTOR                 | ROTOR              | ROTOR                      |
| 3            | 103  | 1       | 1       | 1       | 1       | 1        | 1        | 960 103 126  |  | KUGELLAGER                         | 6301 2 RSR                     | BALL BEARING          | ROULEMENT A'BILLES | RODAMIENTO DE BOLAS        |
| 3            | 104  | 1       | 1       | 1       | 1       | 1        | 1        | 960 102 094  |  | KUGELLAGER                         | 629 2Z                         | BALL BEARING          | RUOLEMENT A'BILLES | RODAMIENTO DE BOLAS        |
| 3            | 105  | 1       | 1       | 1       | 1       | 1        | 1        | 970 805 620  |  | ISOLIERSCHEIBE                     |                                | WASHER                | DISQUE             | ARANDELA                   |
| 3            | 106  | 2       | 2       | 2       | 2       | 2        | 2        | 226 111 850  |  | SCHRAUBE                           | 5X55                           | SCREW                 | VIS                | TORNILLO                   |
| 3            | 107  | 2       | 2       | 2       | 2       | 2        | 2        | 970 801 860  |  | KLAMMER                            |                                | CLAMP                 | CRAMPON            | GRAPA                      |
| 3            | 108  | 1       | 1       | 1       | 1       | 1        | 1        | 970 311 710  |  | VERBINDUNGSKABEL MIT RING S/W      |                                | CABLE                 | CÂBLE              | CABLE                      |
| 3            | 109  | 1       | 1       | 1       | 1       | 1        | 1        | 970 311 690  |  | VERBINDUNGSKABEL 330 GELB          |                                | CABLE                 | CÂBLE              | CABLE                      |
| 3            | 110  | 1       | 1       | 1       | 1       | 1        | 1        | 970 311 700  |  | VERBINDUNGSKABEL RING/SPULE ORANGE |                                | CABLE                 | CÂBLE              | CABLE                      |
| 3            | 111  | 1       | 1       | 1       | 1       | 1        | 1        | 970 311 720  |  | VERBINDUNGSKABEL 140/ORANGE        |                                | CABLE                 | CÂBLE              | CABLE                      |
| 3            | 112  | 1       | 1       | 1       | 1       | 1        | 1        | 970 311 680  |  | VERBINDUNGSKABEL 250 SCHWARZ       |                                | CABLE                 | CÂBLE              | CABLE                      |
| 3            | 113  | 1       | 1       | 1       | 1       | 1        | 1        | 970 001 240  |  | MIKROSCHALTER                      |                                | SWITCH                | INTERRUPTEUR       | INTERRUPTOR                |
| 3            | 114  | 1       | 1       | 1       | 1       | 1        | 1        | 970 201 210  |  | LÜSTERKLEMME 1-FACH                |                                | SCREW WIRE CONNECTOR  | DOMINO             | CLEMA                      |
| 3            | 115  | 1       | 1       | 1       | 1       | 1        | 1        | 970 104 020  | EU, AUS, NZ                            | CONTROLLER                         | 250 V                          | CONTROLLER            | CONTRÔLEUR         | CONTROLADOR                |
| 3            | 115  | 1       | 1       | 1       | 1       | 1        | 1        | 970 104 010  | U.K.                                   | CONTROLLER                         | 130 V                          | CONTROLLER            | CONTRÔLEUR         | CONTROLADOR                |
| 3            | 116  | 1       | 1       | 1       | 1       | 1        | 1        | 975 001 190  |  | DRUCKKNOPFSCHALTER / WECHSLER      |                                | PUSH BUTTON           | BOUTON-POUSOIR     | INTRRUPTOR PULSADOR        |
| 3            | 117  | 1       | 1       | 1       | 1       | 1        | 1        | 970 109 850  | EU, AUS, NZ                            | KONDENSATOR                        |                                | CAPACITOR             | CONDENSATEUR       | CONDENSADOR                |
| 3            | 117  | 1       | 1       | 1       | 1       | 1        | 1        | 970 109 840  | U.K.                                   | KONDENSATOR                        |                                | CAPACITOR             | CONDENSATEUR       | CONDENSADOR                |
| 3            | 118  | 1       | 1       | 1       | 1       | 1        | 1        | 225 152 060  | EU                                     | ZUGENTLASTUNG                      |                                | TRACTION RELIEF       | COLLIER            | DISPOS. CONTRATRACC.       |
| 3            | 118  | 1       | 1       | 1       | 1       | 1        | 1        | 225 152 150  | AUS, NZ, U.K.                          | ZUGENTLASTUNG, BLAU                |                                | TRACTION RELIEF, BLUE | COLLIER, BLEU      | DISPOS. CONTRATRACC., AZUL |
| 3            | 119  | 2       | 2       | 2       | 2       | 2        | 2        | 660 265 995  |  | BLECHSCHRAUBE                      |                                | SCREW                 | VIS                | TORNILLO                   |
| 3            | 120  | 1       | 1       | 1       | 1       | 1        | 1        | 225 152 010  |  | KNICKSCHUTZ                        |                                | BREAK PROTECTION      | PASSE-CABLE        | BOQUILLA DE PASO           |
| 3            | 121  | 1       | 1       | 1       | 1       | 1        | 1        | 970 102 440  |  | KABEL MIT STECKER                  | 110 V (U.K.)                   | CABLE WITH PLUG       | CÂBLE AVEC PRISE   | CABLE CON ENCHUFE          |
| 3            | 121  | 1       | 1       | 1       | 1       | 1        | 1        | 970 102 450  |  | KABEL MIT STECKER                  | 230 V (CH)                     | CABLE WITH PLUG       | CÂBLE AVEC PRISE   | CABLE CON ENCHUFE          |
| 3            | 121  | 1       | 1       | 1       | 1       | 1        | 1        | 970 102 430  |  | KABEL MIT STECKER                  | 230 V (EU)                     | CABLE WITH PLUG       | CÂBLE AVEC PRISE   | CABLE CON ENCHUFE          |
| 3            | 121  | 1       | 1       | 1       | 1       | 1        | 1        | 970 102 560  |  | KABEL MIT STECKER                  | 230 V- 5M (CH)                 | CABLE WITH PLUG       | CÂBLE AVEC PRISE   | CABLE CON ENCHUFE          |
| 3            | 121  | 1       | 1       | 1       | 1       | 1        | 1        | 970 102 530  |  | KABEL MIT STECKER                  | 240 V - 5M (EU)                | CABLE WITH PLUG       | CÂBLE AVEC PRISE   | CABLE CON ENCHUFE          |
| 3            | 121  | 1       | 1       | 1       | 1       | 1        | 1        | 970 102 470  |  | KABEL MIT STECKER                  | 240 V (AUS/NZ)                 | CABLE WITH PLUG       | CÂBLE AVEC PRISE   | CABLE CON ENCHUFE          |
| 3            | 121  | 1       | 1       | 1       | 1       | 1        | 1        | 970 102 550  |  | KABEL MIT STECKER                  | 240 V- 10M (U.K.)              | CABLE WITH PLUG       | CÂBLE AVEC PRISE   | CABLE CON ENCHUFE          |
| 3            | 125  | 1       | 1       | 1       | 1       | 1        | 1        | 970 102 050  |  | ZUGENTLASTUNG                      |                                | TRACTION RELIEF       | COLLIER            | DISPOS. CONTRATRACC.       |

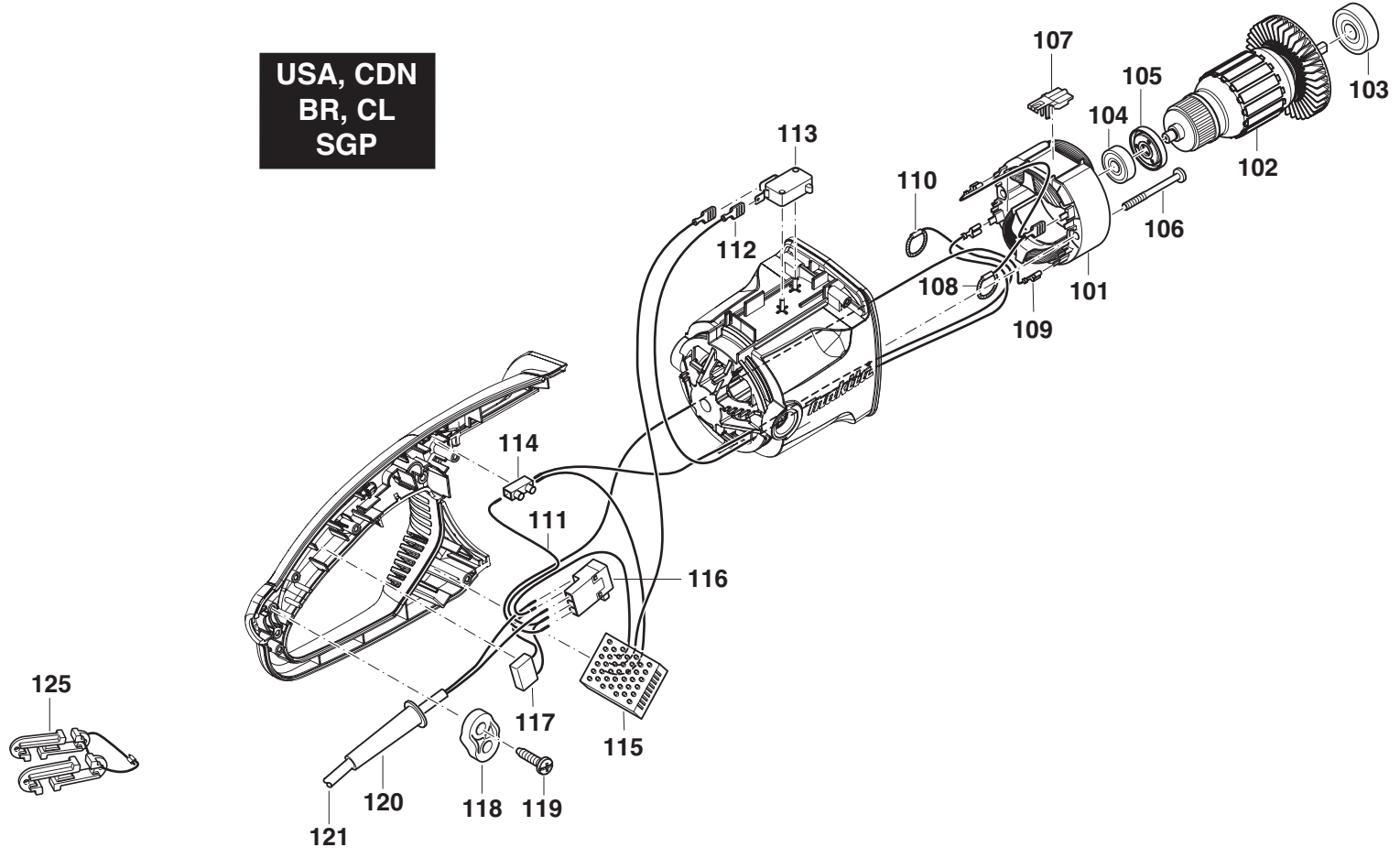
UC3030A  
UC3530A UC3530AP  
UC4030A UC4030AP  
UC4530A

4

Motor, Kabel, Schalter  
Motor, cable, switch  
Moteur, câble, interrupteur  
Motor, cable, interruptor



USA, CDN  
BR, CL  
SGP





UC3030A, UC3530A/AP,  
UC4030A/AP, UC4530A

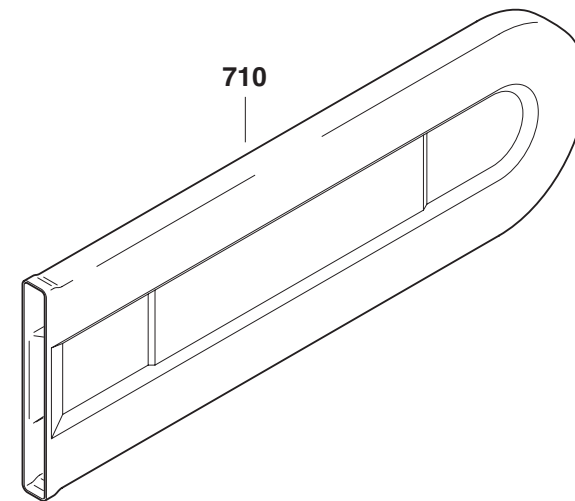
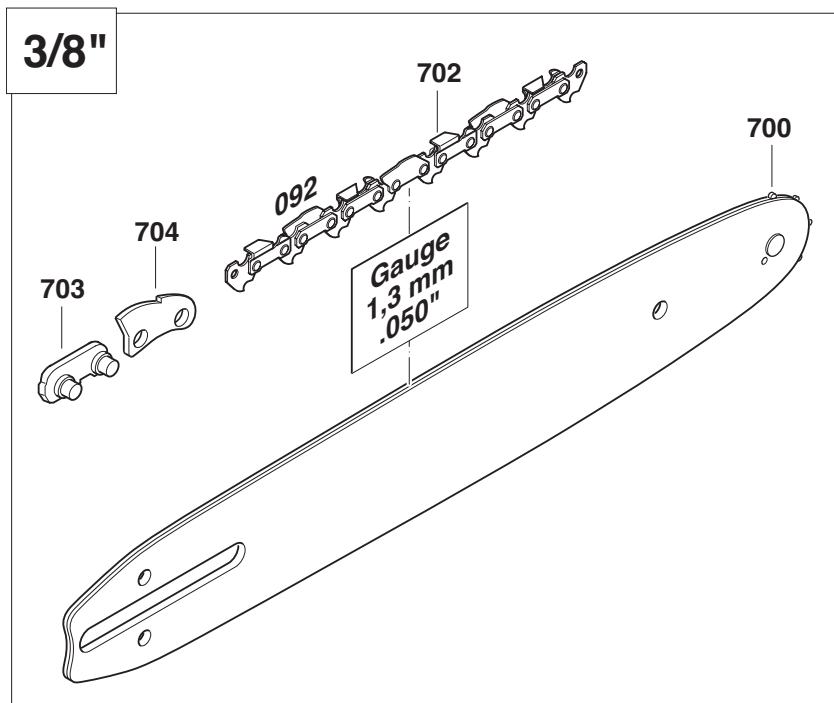


| Seite / Page | Pos. | UC3030A | UC3530A | UC4030A | UC4530A | UC3530AP | UC4030AP | Teil-Nr.<br>Part No.<br>No. de pièce<br>No. de pieza | Hinweise<br>Notes<br>Renseign.<br>Nota | Bezeichnung                   | Spezifikation<br>Specification | Description           | Désignation      | Denominación               |
|--------------|------|---------|---------|---------|---------|----------|----------|--|--|-------------------------------|--------------------------------|-----------------------|------------------|----------------------------|
| 4            | 101  | 1       | 1       | 1       | 1       | 1        | 1        | 970 805 240  | SGP                                    | STATOR                        | 240 V                          | STATOR                | STATOR           | ESTATOR                    |
| 4            | 101  | 1       | 1       | 1       | 1       | 1        | 1        | 970 805 220  | BR, CL                                 | STATOR                        | 220 V                          | STATOR                | STATOR           | ESTATOR                    |
| 4            | 101  | 1       | 1       | 1       | 1       | 1        | 1        | 970 805 250  | USA,CDN,BR                             | STATOR                        | 115 V (UL)                     | STATOR                | STATOR           | ESTATOR                    |
| 4            | 102  | 1       | 1       | 1       | 1       | 1        | 1        | 970 805 330  | SGP                                    | ROTOR                         | 240 V                          | ROTOR                 | ROTOR            | ROTOR                      |
| 4            | 102  | 1       | 1       | 1       | 1       | 1        | 1        | 970 805 320  | BR, CL                                 | ROTOR                         | 220 V                          | ROTOR                 | ROTOR            | ROTOR                      |
| 4            | 102  | 1       | 1       | 1       | 1       | 1        | 1        | 970 805 310  | USA,CDN,BR                             | ROTOR                         | 115 V                          | ROTOR                 | ROTOR            | ROTOR                      |
| 4            | 106  | 2       | 2       | 2       | 2       | 2        | 2        | 226 111 850  |  | SCHRAUBE                      | 5X55                           | SCREW                 | VIS              | TORNILLO                   |
| 4            | 107  | 2       | 2       | 2       | 2       | 2        | 2        | 970 801 860  |  | KLAMMER                       |                                | CLAMP                 | CRAMPON          | GRAPA                      |
| 4            | 108  | 1       | 1       | 1       | 1       | 1        | 1        | 970 311 710  |  | VERBINDUNGSKABEL MIT RING S/W |                                | CABLE                 | CÂBLE            | CABLE                      |
| 4            | 109  | 1       | 1       | 1       | 1       | 1        | 1        | 970 311 690  |  | VERBINDUNGSKABEL 330 GELB     |                                | CABLE                 | CÂBLE            | CABLE                      |
| 4            | 110  | 1       | 1       | 1       | 1       | 1        | 1        | 970 311 730  |  | VERBINDUNGSKABEL (RING)       |                                | CABLE                 | CÂBLE            | CABLE                      |
| 4            | 111  | 1       | 1       | 1       | 1       | 1        | 1        | 970 311 720  |  | VERBINDUNGSKABEL 140/ORANGE   |                                | CABLE                 | CÂBLE            | CABLE                      |
| 4            | 112  | 1       | 1       | 1       | 1       | 1        | 1        | 970 311 680  |  | VERBINDUNGSKABEL 250 SCHWARZ  |                                | CABLE                 | CÂBLE            | CABLE                      |
| 4            | 113  | 1       | 1       | 1       | 1       | 1        | 1        | 970 001 240  |  | MIKROSCHALTER                 |                                | SWITCH                | INTERRUPTEUR     | INTERRUPTOR                |
| 4            | 114  | 1       | 1       | 1       | 1       | 1        | 1        | 970 201 210  |  | LÜSTERKLEMME 1-FACH           |                                | SCREW WIRE CONNECTOR  | DOMINO           | CLEMA                      |
| 4            | 115  | 1       | 1       | 1       | 1       | 1        | 1        | 970 104 020  | SGP, BR, CL                            | CONTROLLER                    | 250 V                          | CONTROLLER            | CONTRÔLEUR       | CONTROLADOR                |
| 4            | 115  | 1       | 1       | 1       | 1       | 1        | 1        | 970 104 010  | USA,CDN,BR                             | CONTROLLER                    | 130 V                          | CONTROLLER            | CONTRÔLEUR       | CONTROLADOR                |
| 4            | 116  | 1       | 1       | 1       | 1       | 1        | 1        | 975 001 190  |  | DRUCKKNOPFSCHALTER / WECHSLER |                                | PUSH BUTTON           | BOUTON-POUSSOIR  | INTRRUPTOR PULSADOR        |
| 4            | 117  | 1       | 1       | 1       | 1       | 1        | 1        | 970 109 850  | SGP, BR, CL                            | KONDENSATOR                   |                                | CAPACITOR             | CONDENSATEUR     | CONDENSADOR                |
| 4            | 117  | 1       | 1       | 1       | 1       | 1        | 1        | 970 109 840  | USA,CDN,BR                             | KONDENSATOR                   |                                | CAPACITOR             | CONDENSATEUR     | CONDENSADOR                |
| 4            | 118  | 1       | 1       | 1       | 1       | 1        | 1        | 225 152 060  | SGP, USA,CDN,BR                        | ZUGENTLASTUNG                 | 115 V                          | TRACTION RELIEF       | COLLIER          | DISPOS. CONTRATRACC.       |
| 4            | 118  | 1       | 1       | 1       | 1       | 1        | 1        | 225 152 150  | BR, CL                                 | ZUGENTLASTUNG BLAU            | 220 V                          | TRACTION RELIEF, BLUE | COLLIER, BLEU    | DISPOS. CONTRATRACC., AZUL |
| 4            | 120  | 1       | 1       | 1       | 1       | 1        | 1        | 225 152 010  |  | KNICKSCHUTZ                   |                                | BREAK PROTECTION      | PASSE-CABLE      | BOQUILLA DE PASO           |
| 4            | 121  | 1       | 1       | 1       | 1       | 1        | 1        | 970 102 500  |  | KABEL MIT STECKER             | 125 V (BR)                     | CABLE WITH PLUG       | CÂBLE AVEC PRISE | CABLE CON ENCHUFE          |
| 4            | 121  | 1       | 1       | 1       | 1       | 1        | 1        | 970 102 460  |  | KABEL MIT STECKER             | 125 V (USA)                    | CABLE WITH PLUG       | CÂBLE AVEC PRISE | CABLE CON ENCHUFE          |
| 4            | 121  | 1       | 1       | 1       | 1       | 1        | 1        | 970 102 510  |  | KABEL MIT STECKER             | 220 V (BR)                     | CABLE WITH PLUG       | CÂBLE AVEC PRISE | CABLE CON ENCHUFE          |
| 4            | 121  | 1       | 1       | 1       | 1       | 1        | 1        | 970 102 480  |  | KABEL MIT STECKER             | 240 V (SGP)                    | CABLE WITH PLUG       | CÂBLE AVEC PRISE | CABLE CON ENCHUFE          |
| 4            | 125  | 1       | 1       | 1       | 1       | 1        | 1        | 970 102 050  |  | ZUGENTLASTUNG                 |                                | TRACTION RELIEF       | COLLIER          | DISPOS. CONTRATRACC.       |

UC3030A  
UC3530A UC3530AP  
UC4030A UC4030AP  
UC4530A

5

Sägeschienen, Sägeketten, Werkzeug  
Guide bars, saw chains, tools  
Guide-chaîne, chaînes, outils  
Rieles guía, cadenas sierra, herramientas



UC3030A, UC3530A/AP,  
UC4030A/AP, UC4530A



| Seite / Page | Pos. | UC3030A | UC3530A | UC4030A | UC4530A | UC3530AP | UC4030AP | Teil-Nr.<br>Part No.<br>No. de pièce<br>No. de pieza | Hinweise<br>Notes<br>Renseign.<br>Nota | Bezeichnung           | Spezifikation<br>Specification | Description            | Désignation                  | Denominación             |
|--------------|------|---------|---------|---------|---------|----------|----------|--|--|-----------------------|--------------------------------|------------------------|------------------------------|--------------------------|
| 5            | 700  | 1       |         |         |         |          |          | 442 030 661  |  | STERNSCHIENE          | 3/8" .050" 30cm-12"            | SPROCKET NOSE BAR      | GUIDE À ÉTOILE               | BARRA GUÍA               |
| 5            | 700  |         | 1       |         |         |          |          | 442 035 661  |  | STERNSCHIENE          | 3/8" .050" 35cm-14"            | SPROCKET NOSE BAR      | GUIDE À ÉTOILE               | BARRA GUÍA               |
| 5            | 700  |         |         | 1       |         |          |          | 442 040 661  |  | STERNSCHIENE          | 3/8" .050" 40cm-16"            | SPROCKET NOSE BAR      | GUIDE À ÉTOILE               | BARRA GUÍA               |
| 5            | 700  |         |         |         | 1       |          |          | 442 045 661  |  | STERNSCHIENE          | 3/8" .050" 45cm-18"            | SPROCKET NOSE BAR      | GUIDE À ÉTOILE               | BARRA GUÍA               |
| 5            | 700  |         |         |         |         | 1        |          | 444 035 661  |  | STERNSCHIENE          | 3/8" .050" 35cm-14"            | SPROCKET NOSE BAR      | GUIDE À ÉTOILE               | BARRA GUÍA               |
| 5            | 700  |         |         |         |         |          | 1        | 444 040 661  |  | STERNSCHIENE          | 3/8" .050" 40cm-16"            | SPROCKET NOSE BAR      | GUIDE À ÉTOILE               | BARRA GUÍA               |
| 5            | 702  | 1       |         |         |         |          |          | 528 092 646  |  | SÄGEKETTE             | 3/8" .050" 30cm-12"            | SAW CHAIN              | CHAÎNE                       | CADENA                   |
| 5            | 702  |         | 1       |         |         | 1        |          | 528 092 652  |  | SÄGEKETTE             | 3/8" .050" 35cm-14"            | SAW CHAIN              | CHAÎNE                       | CADENA                   |
| 5            | 702  |         |         | 1       |         |          | 1        | 528 092 656  |  | SÄGEKETTE             | 3/8" .050" 40cm-16"            | SAW CHAIN              | CHAÎNE                       | CADENA                   |
| 5            | 702  |         |         |         | 1       |          |          | 528 092 662  |  | SÄGEKETTE             | 3/8" .050" 45cm-18"            | SAW CHAIN              | CHAÎNE                       | CADENA                   |
| 5            | 703  |         |         |         |         |          |          | 558 092 010  |  | AUSSENLASCHE MIT NIET | 3/8" .050"                     | TIE STRAP WITH RIVETS  | ECLISSE EXTERIEURE A. RIVETS | TIRA EXTER. CON. REMACHE |
| 5            | 704  |         |         |         |         |          |          | 558 092 000  |  | SICHERHEITSLASCHE     | 3/8" .050"                     | SAFETY TIE STRAP       | ECLISSE DE SÉCURITE          | TIRA SEGURIDAD           |
| 5            | 710  | 1       | 1       | 1       |         | 1        | 1        | 952 100 630  |  | SÄGEKETTENSCHUTZ      |                                | CHAIN PROTECTION COVER | ENVELOPPE PROTECTRICE        | ESTUCHE PROTECTOR        |
| 5            | 710  |         |         |         | 1       |          |          | 952 100 640  |  | SÄGEKETTENSCHUTZ      |                                | CHAIN PROTECTION COVER | ENVELOPPE PROTECTRICE        | ESTUCHE PROTECTOR        |

UC3030A  
 UC3530A UC3530AP  
 UC4030A UC4030AP  
 UC4530A

Inhaltsverzeichnis  
 Index  
 Table des matières  
 Indice



|       |                                    |                               |   |  |
|-------|------------------------------------|-------------------------------|---|--|
| 1     | Handgriffe, Motorgehäuse, Getriebe | Handles, motor case, gear     | Poignées, carter moteur, engrenage        | Mangos, carter motor, engranaje            |
| 2     | Ölpumpe, Kupplung, Kettenbremse    | Oil pump, clutch, chain brake | Pompe a huile, embrayage, frein de chaîne | Bomba de aceite, embrague, freno de cadena |
| 3 - 4 | Motor, Kabel, Schalter             | Motor, cable, switch          | Moteur, câble, interrupteur               | Motor, cable, interruptor                  |
| 5     | Sägeschienen, Sägeketten, Werkzeug | Guide bars, saw chains, tools | Guide-chaîne, chaînes, outils             | Rieles guía, cadenas sierra, herramientas  |

|   | Zeichenerklärung   | Key to symbols  | Légende  | Explicación de símbolos  |
|---|--|---|--|--|
| ⇒ 1999999<br>2000000 ⇒<br>2003.04 ⇒<br>TI 2003/07<br>Acc.<br>=<br>{<br>m<br>Corr. | Produktion bis Serien-Nr.<br>Neues Teil ab Serien-Nr.<br>Neues Teil ab Jahr / Monat<br>Siehe Technische Information Jahr / Nr.<br>Zubehör (nicht im Lieferumfang)<br>Keine Serienausführung, jedoch verwendbar<br>Beinhaltet Positions-Nr.<br>Meterware<br>Druckfehlerberichtigung | Production to serial number<br>New part from serial number<br>New part from Year / Month<br>See Technical Information Year / No.<br>Accessories (not included in the delivery inventory)<br>No standard execution, may be used<br>Contains item number<br>Sold by the meter<br>Error correction | Production jusqu'à n° de série<br>Nouveau pièce à partir du n° de série<br>Nouveau pièce à partir de année / mois<br>Voir information technique année / n°<br>Accessoires (non compris dans la livraison)<br>Aucune exécut. en série, cependant utilisable<br>contient n° de numéro<br>Au mètre<br>Rectification d'erreurs | Producción hasta N° de serie<br>Pieza nueva a partir de N° de serie<br>Pieza nueva a partir de año / mes<br>Véase inform. técnico año / N°<br>Accesorios (no incluido en la extensión del suministro)<br>No es de serie, pero sirve<br>Contiene pos N°<br>Por metro<br>Fe de erratas |
|   | Änderungen vorbehalten   | Specifications subject to change without notice   | Changements sans préavis   | Mejoras constructivas sin previo aviso   |