

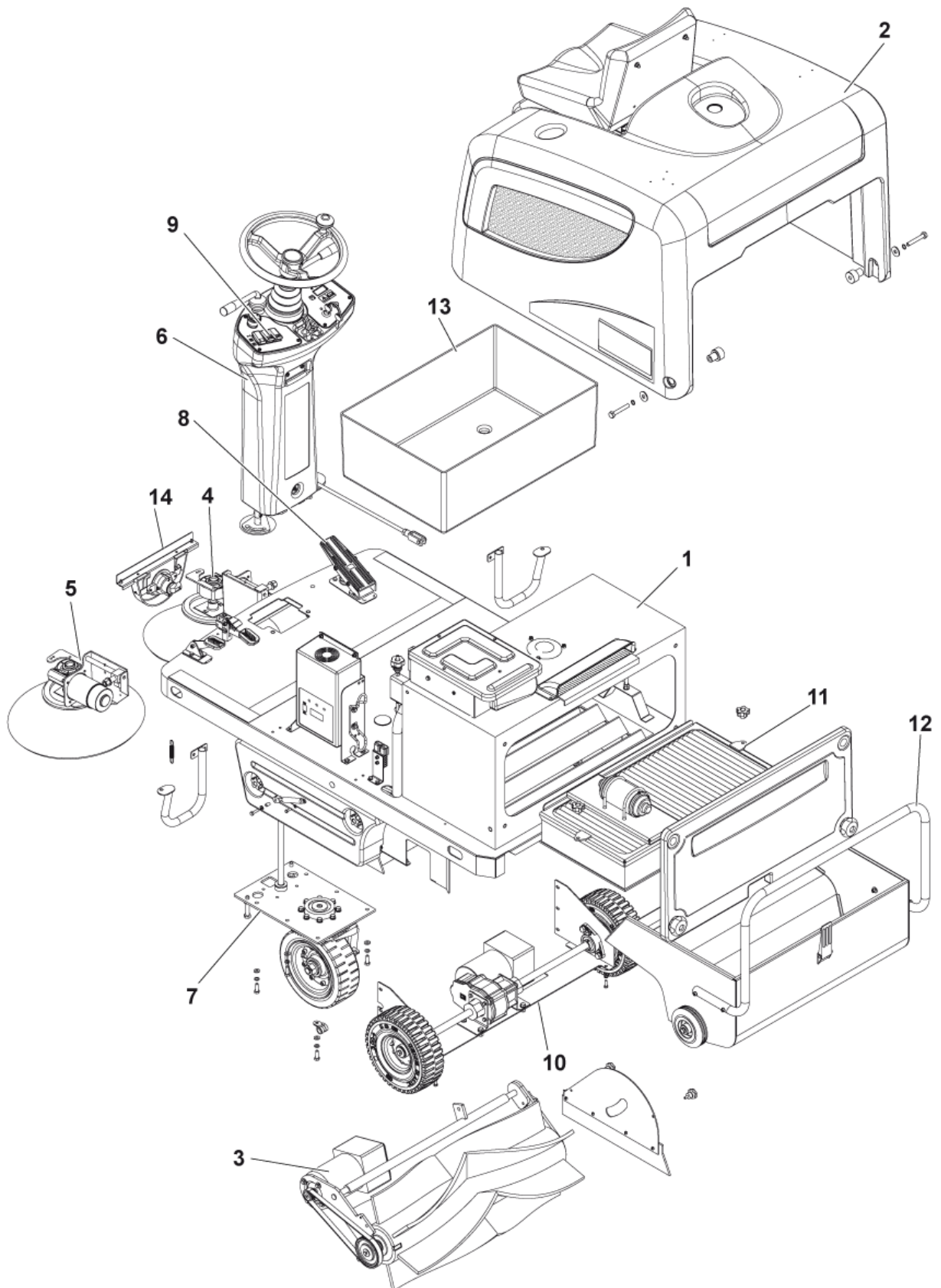
PARTS LIST



2020.02.06

TABLE OF CONTENTS

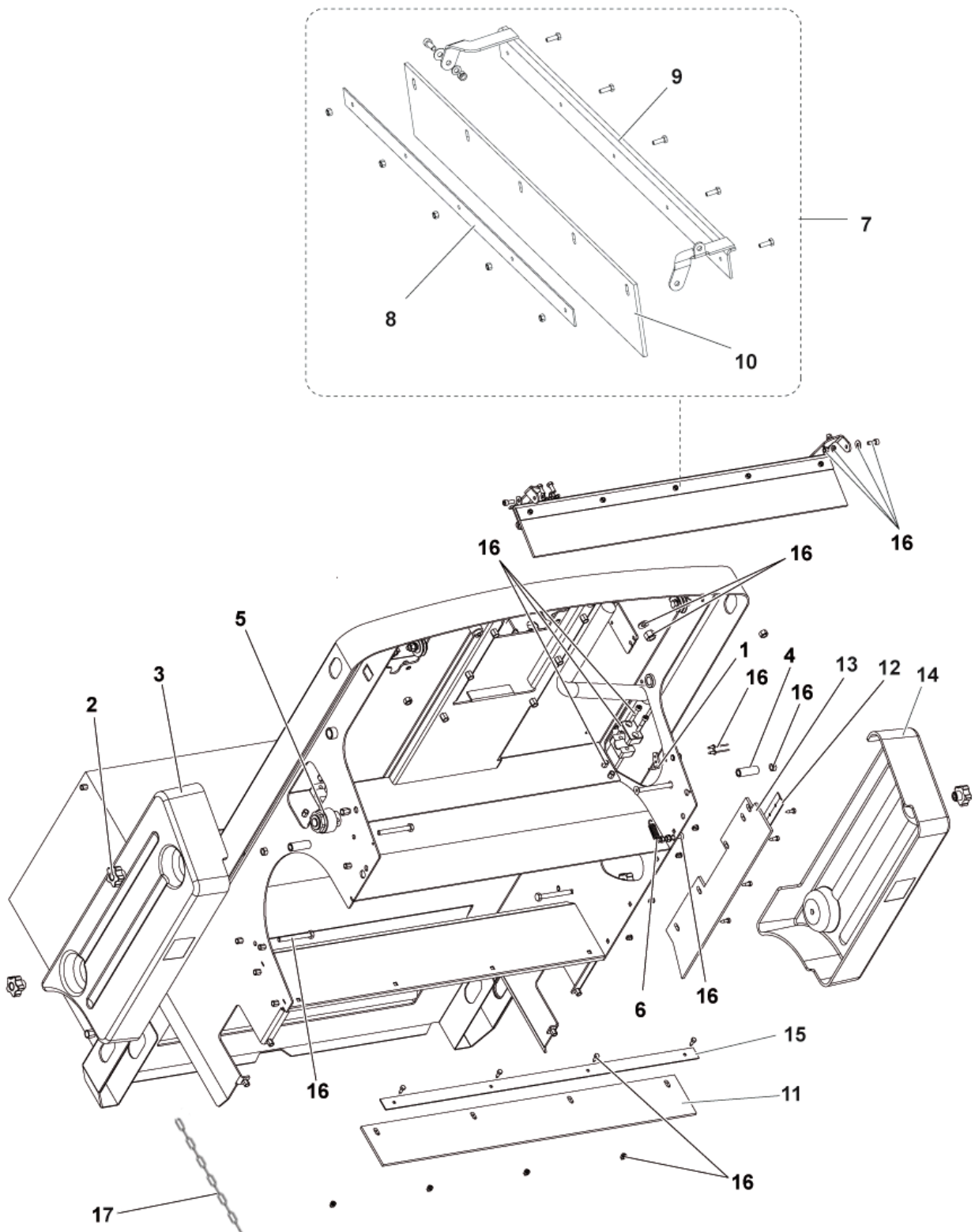
GENERAL VIEW	1
CHASSIS LOWER	3
CHASSIS SIDE ASSEMBLY	5
BONNET SYSTEM	7
MAIN BROOM ASSEMBLY	9
RIGHT SIDE BROOM ASSY	11
LEFT SIDE BROOM ASSY	13
STEERING SYSTEM	15
FRONT WHEEL ASSEMBLY	17
PEDAL ASSEMBLIES	19
CONTROL PANEL SYSTEM	21
DRIVE SYSTEM	23
DUST CONTROL SYSTEM	25
WASTE CONTAINER ASSEMBLY	27
ELECTRICAL COMPONENTS 1	29
ELECTRICAL COMPONENTS 2	31
BATTERY CHARGER ASSEMBLY	33
KIT VACUUM CLEANER	35
KIT WORKING LIGHT	37
KIT FLASHING BEACON - BROOM BUMPER - OVERHEAD GUARD	39
RECOMMENDED SPARE PARTS	41



Pos.	Vare-nr	Antal	Beskrivelse	Notes
1		1	CHASSIS ASSEMBLY	[1]
2		1	BONNET SYSTEM	[2]
3		1	MAIN BROOM ASSEMBLY	[3]
4		1	RIGHT SIDE BROOM ASSY	[4]
5		1	LEFT SIDE BROOM ASSY	[5]
6		1	STEERING SYSTEM	[6]
7		1	FRONT WHEEL ASSEMBLY	[7]
8		1	PEDAL ASSEMBLIES	[8]
9		1	CONTROL PANELS SYSTEM	[9]
10		1	DRIVE SYSTEM	[10]
11		1	FILTER ASSEMBLY	[11]
12		1	WASTE CONTAINER ASSY	[12]
13		1	ELECTRICAL COMPONENTS	[13]
14		1	ACCESSORIES	[14]

Part Notes:

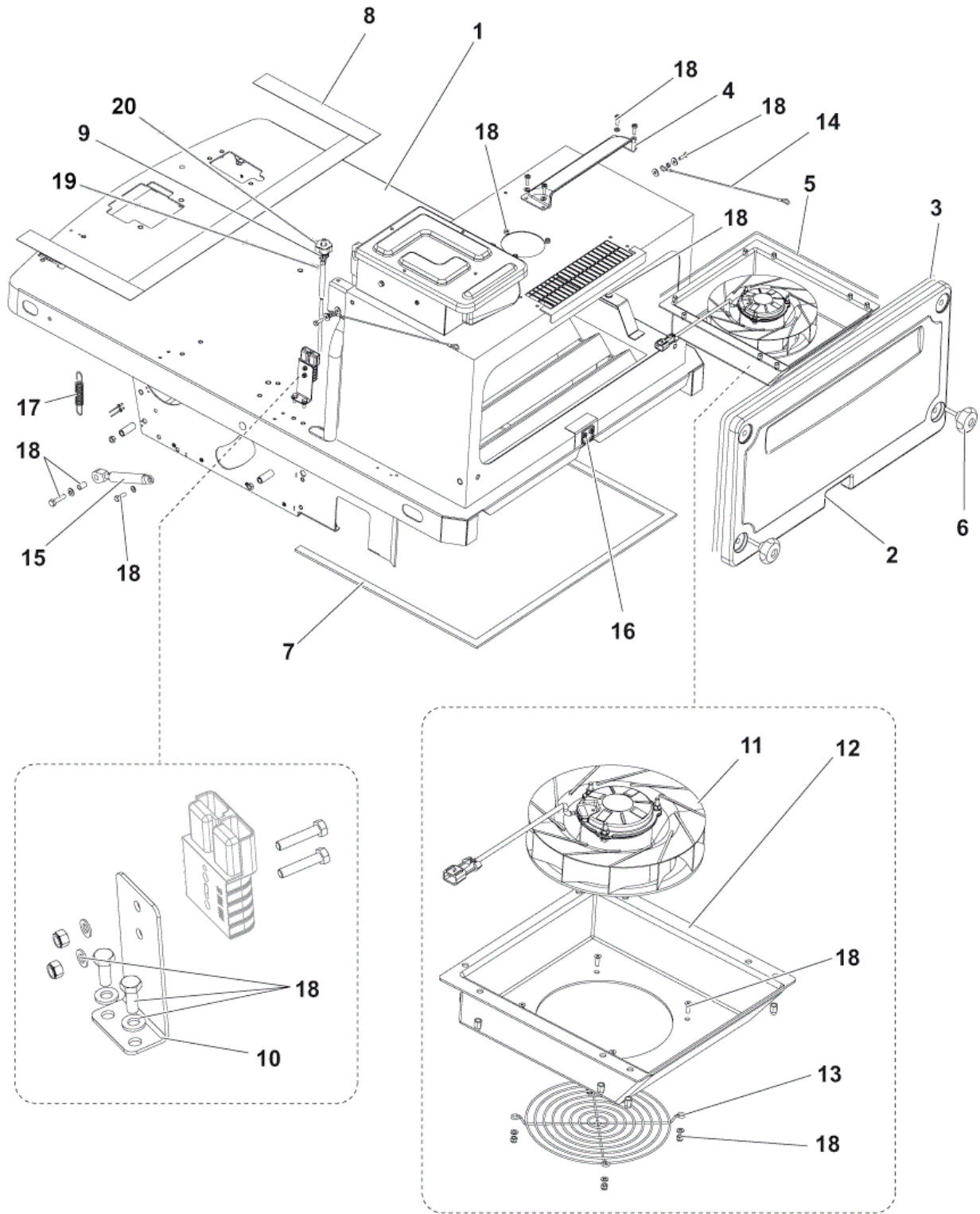
- [1] - CHASSIS LOWER
CHASSIS SIDE ASSEMBLY
- [2] - BONNET SYSTEM
- [3] - MAIN BROOM ASSEMBLY
- [4] - RIGHT SIDE BROOM ASSY
- [5] - LEFT SIDE BROOM ASSY
- [6] - STEERING SYSTEM
- [7] - FRONT WHEEL ASSEMBLY
- [8] - PEDAL ASSEMBLIES
- [9] - CONTROL PANEL SYSTEM
- [10] - DRIVE SYSTEM
- [11] - DUST CONTROL SYSTEM
- [12] - WASTE CONTAINER ASSEMBLY
- [13] - ELECTRICAL COMPONENTS 1
ELECTRICAL COMPONENTS 2
- [14] - KIT WORKING LIGHT
KIT FLASHING BEACON - BROOM BUMPER - OVERHEAD GUARD
KIT VACUUM CLEANER



Pos.	Vare-nr	Antal	Beskrivelse	Notes
1	145 5126 000	1	Bracket	
2	9100002017	4	KNOB M8 SIP	
3	146 2716 000	1	HATCH ROTOMOLDED RT SIDE BLACK	[1]
4	146 2426 000	4	SPACER D.9X15 H.42.2 BRASS	
5	146 2487 000	1	BUZZER 5-32V	
6	145 9579 000	1	Fjeder	
7	1464098000	1	SKIRT RAISING DEVICE KIT	
8	145 1970 000	1	PLATE GALV. F FRONT SKIRT	
9	1464061000	1	SKIRT RAISING DEVICE GALV.	
10	1464062000	1	Skørte, Front Sr 1100Sb	
11	145 1971 000	1	Skørt, Bag Sr 1100 Sb Bakre Gummiflap	
12	145 5929 000	1	Side Flap Plate	
13	145 5927 000	1	Sideskørt	
14	146 2715 000	1	HATCH ROTOMOLDED LT SIDE BLACK	[1]
15	145 1972 000	1	PLATE GALV. F REAR SKIRT	
16	1464097000	1	HARDWARE FRAME LOWER KIT	
17	1466135000	1	ANTISTATIC KIT	[2]
18	146 2744 000	1	Sværtefrit skørt kit (side, bag, for)	[3]

Part Notes:

- [1] - STOCK COVERS GUARANTEE
 [2] - Installation Instructions 1466136000
 [3] - NOT SHOWN - OPTIONAL



CHASSIS SIDE ASSEMBLY

FLOORTEC R 670 B

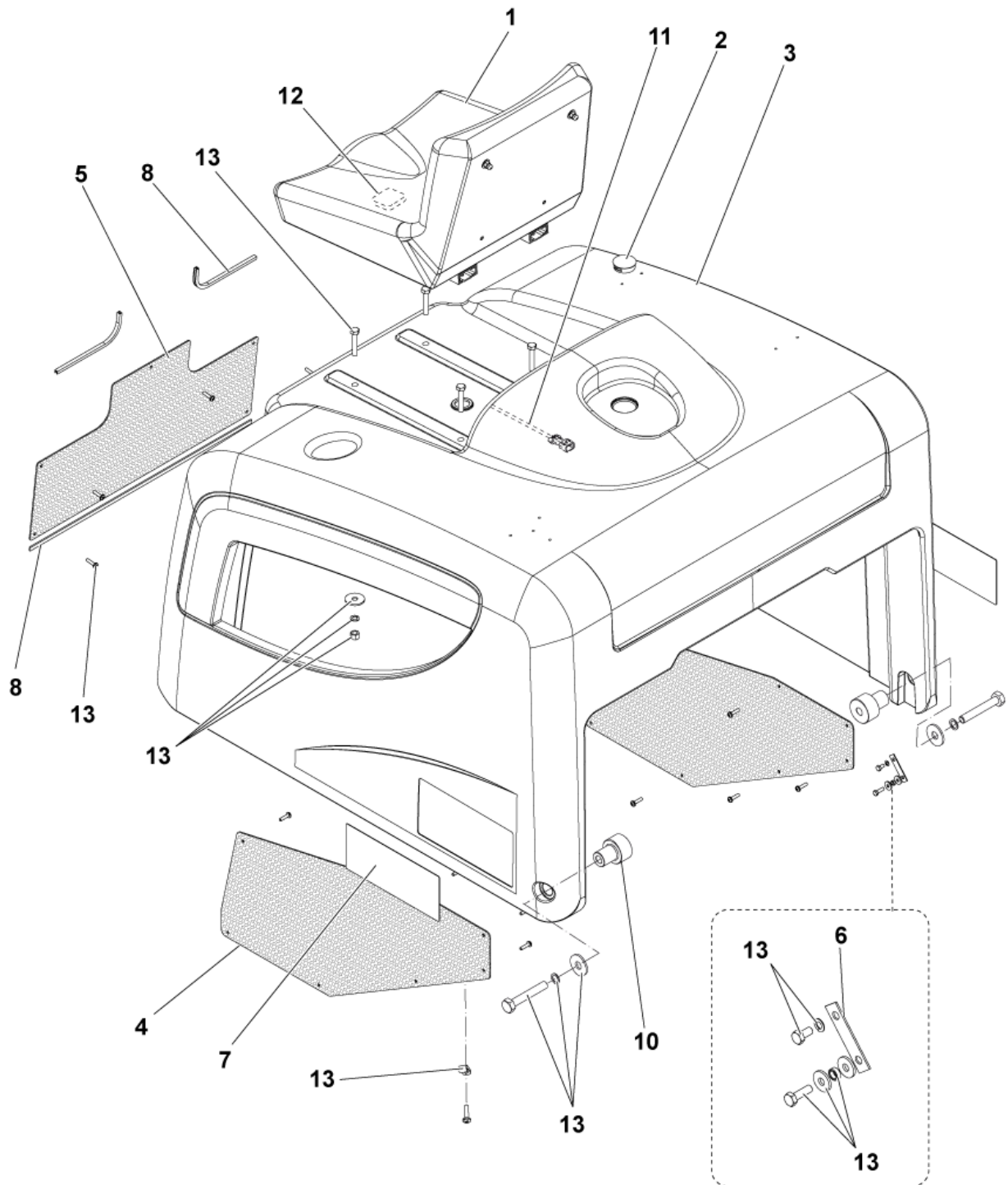
2018.05.03

2018.05.03

Pos.	Vare-nr	Antal	Beskrivelse	Notes
1	1463947000	1	CHASSIS METAL BLACK	[1]
2	146 2714 000	1	HATCH FILTER	[1]
3	146 0741 000	1	Pakning	
4	1463218000	1	Convoyer	
5	1463173000	4	Gasket Conveyor	
6	146 2427 000	2	Knob M8X30	
7	1463977000	1	GASKETS HOPPER KIT	
8	146 2798 000	1	TAPE ADHESIVE ANTISLIP KIT	
9	1466374000	1	KNOB KNURLED M6 FEMALE SIP	
10	146 2384 000	1	BRACKET SUPPORT CONN CONNECTOR GALV.	
11	1463146000	1	Motor Vacuum 24V	
12	1463217000	1	Convoyer	
13	1467690000	1	GRATE PROTECTION MET. RED SIP	
14	L08812362	2	Kabel	
15	9100000855	1	SPRING GAS 30 KG PKD	
16	145 9333 000	1	Hake	
17	145 9184 000	2	Fjeder	
18	1464099000	1	HARDWARE FRAME UPPER KIT	
19	1463959000	1	Hovedbørste Kabel	
20	146 2470 000	1	Knob M6	

Part Notes:

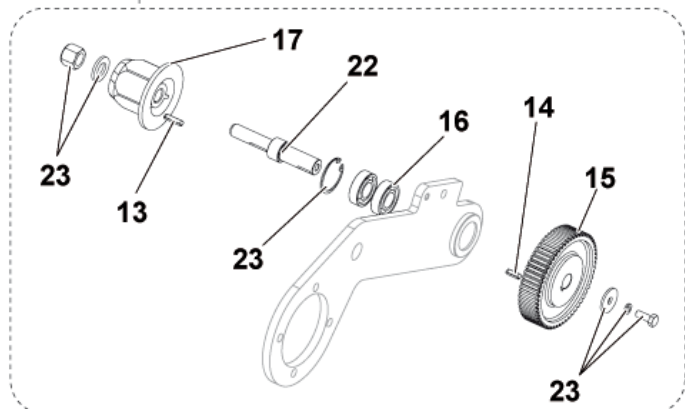
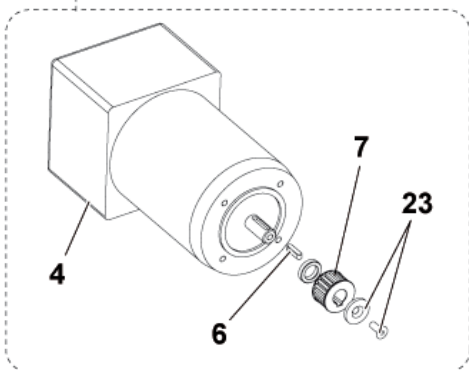
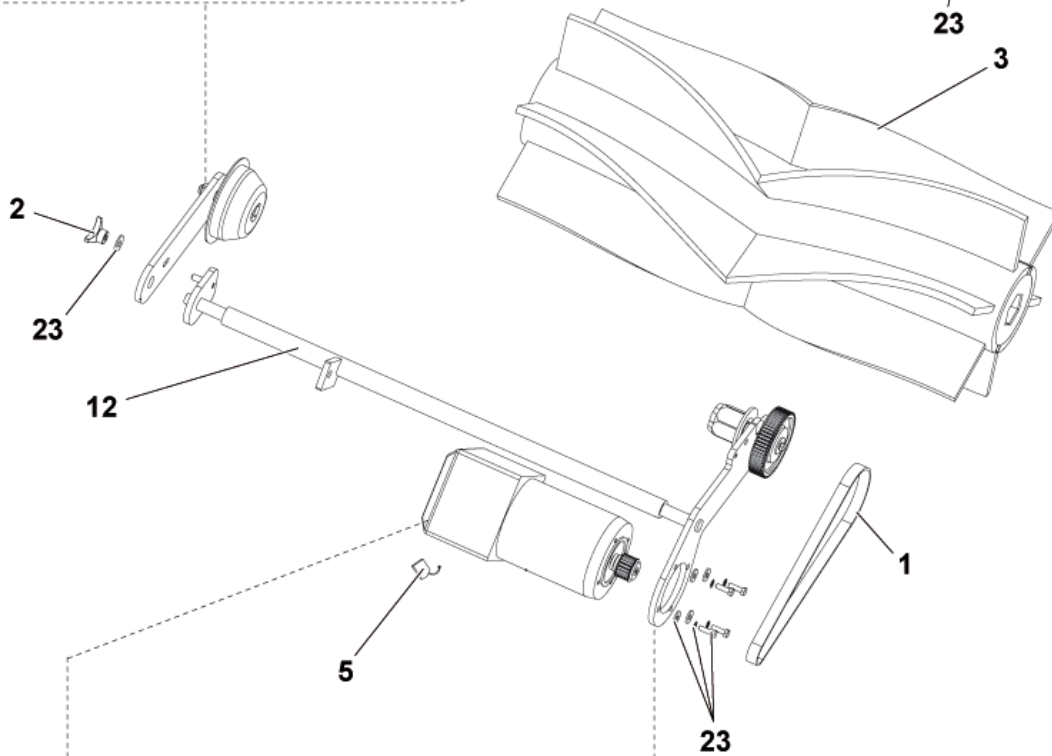
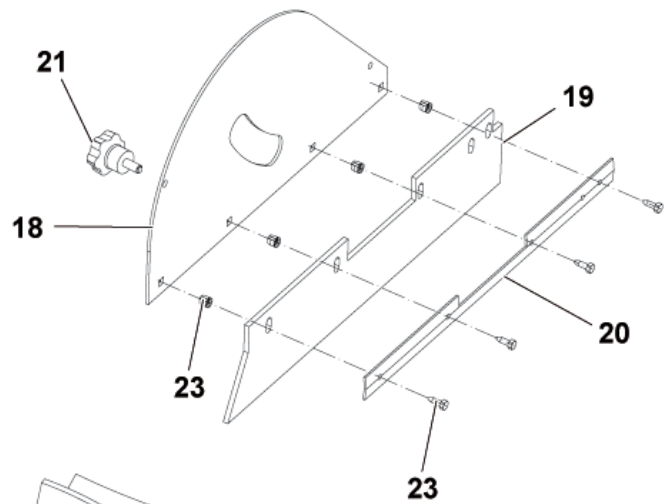
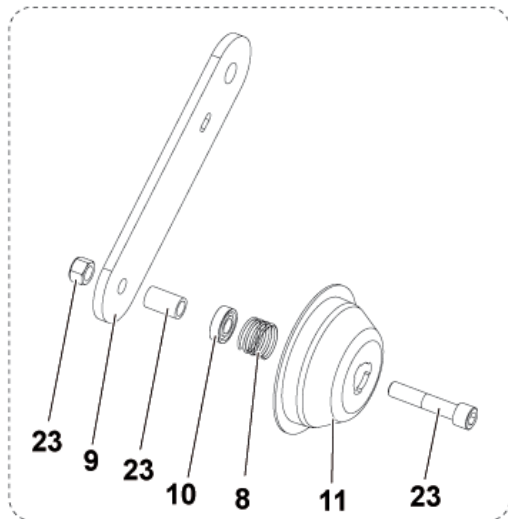
[1] - STOCK COVERS GUARANTEE



Pos.	Vare-nr	Antal	Beskrivelse	Notes
1	145 1782 000	1	Sæde Med Kontakt Sr1000	
1	146 2900 000	1	Sæde med sele	[1]
2	1466138000	1	CAP BLACK PPL DE 42X11.5 PKD	
3	146 2713 000	1	BONNET SEAT HOLDER	[2]
4	146 2421 000	1	GRATE SIDE	
5	146 2422 000	1	GRATE FRONT	
6	146 2424 000	2	PLATE CABLE FIXING GALV.	
7	1466750000	1	DECALS FLOORTEC R 670 B KIT	[2]
8	146 2801 000	1	GASKET RUBBER FOR BONNET KIT	
9	146 2803 000	1	GASKET RUBBER L.500MM SIP	
10	146 2423 000	2	PIN HOOD GALV.	
11	146 2488 000	1	HARNES BONNET	
12	146 0336 000	1	MICROSWITCH OPERATOR'S PRESENCE	
13	1464290000	1	HARDWARE BONNET SYST KIT	

Part Notes:

- [1] - OPTIONAL
 [2] - STOCK COVERS GUARANTEE



MAIN BROOM ASSEMBLY

FLOORTEC R 670 B

2017.11.02

2017.10.31

Pos.	Vare-nr	Antal	Beskrivelse	Notes
1	145 1851 000	1	Rem F. Fejevalse	
2	145 5035 000	1	Knob M8	
3	145 4957 000	1	Fejevalse stålmix	[1]
3	145 6080 000	1	Fejevalse til tæpper/naturfiber	[1]
3	145 4879 000	1	Fejevalse standard	
4	146 2792 000	1	Motor, Børste	
5	1464432000	1	Brush Carbon Kit 4Pcs	
6	1466147000	1	KEY 5X5X20 UNI6604A PKD	
7	145 1849 000	1	Remskive	
8	1467024000	1	SPRING PKD	
9	1467720000	1	LEVER GALV. MAIN BROOM SIP	
10	44905699	1	BEARING BALL 6001 2RS PKD	
11	1467023000	1	HUB LEFT MAIN BROOM PKD	
12	146 2464 000	1	SHAFT MAIN BROOM	
13	145 8197 000	1	Nøgle	
14	146 1489 000	1	Key 4X4X15 Uni6604A	
15	145 1850 000	1	Remskive	
16	1467637000	2	BEARING BALL 6002 2RS SIP	
17	1463877000	1	Hub Main Broom	
18	146 2416 000	1	HATCH MAIN BROOM	[2]
19	145 5927 000	1	Sideskørt	
20	145 5929 000	1	Side Flap Plate	
21	1466153000	2	KNOB LOBED M6X15 PKD	
22	145 1791 000	1	Central Brush Pin	
23	1464291000	1	HARDWARE MAIN BROOM KIT	
24	1464101000	1	Tæppe kit	[3]

Part Notes:

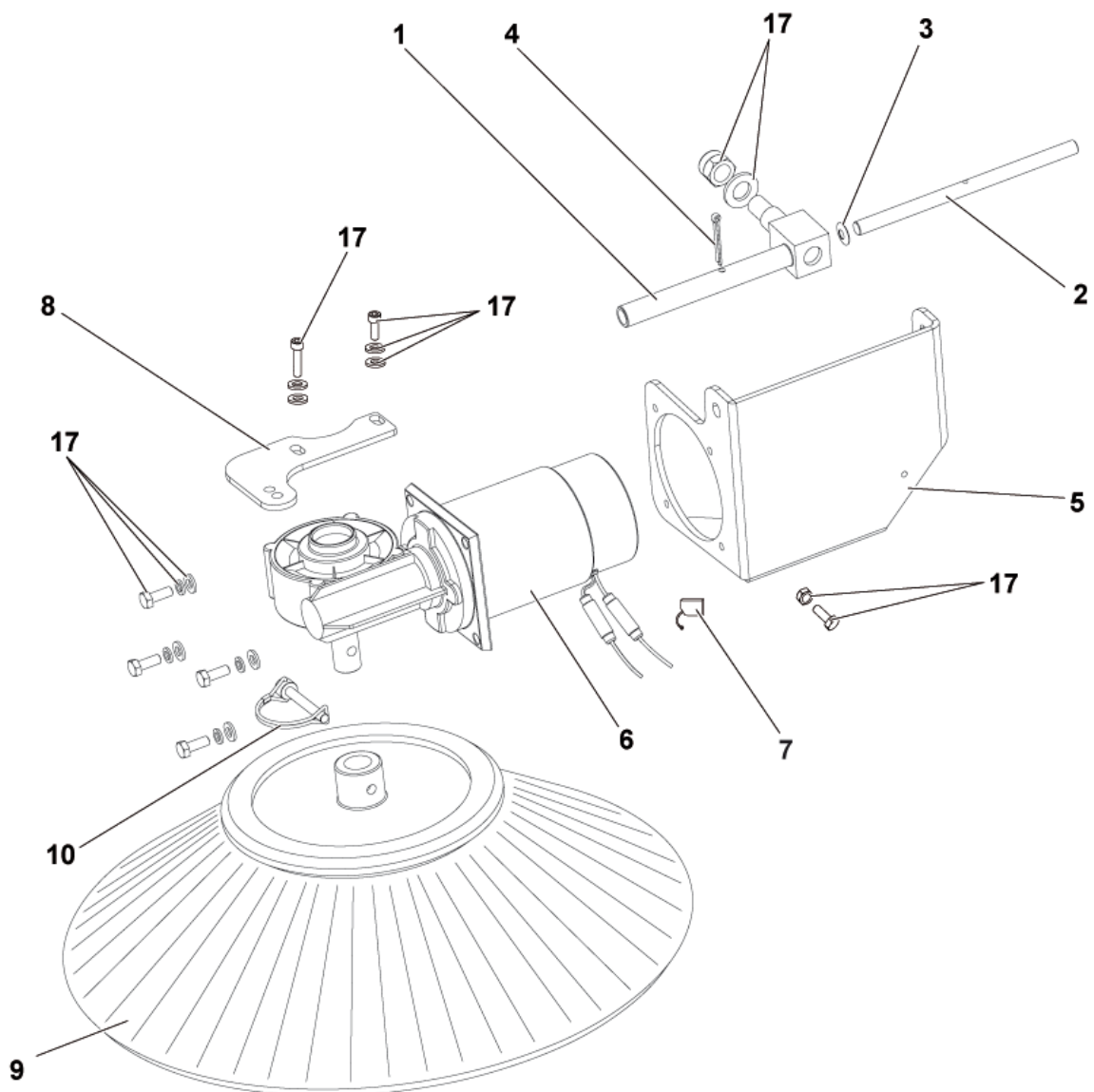
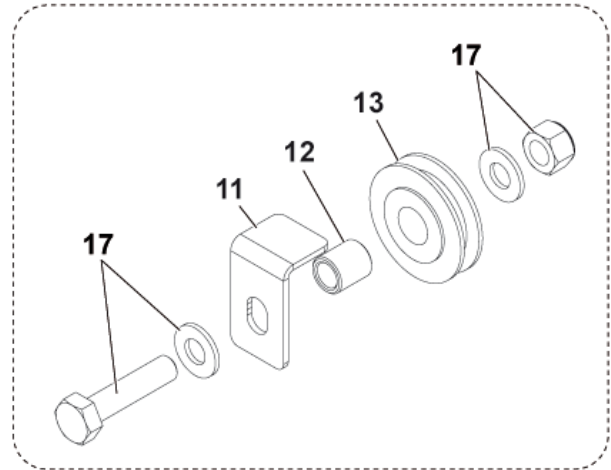
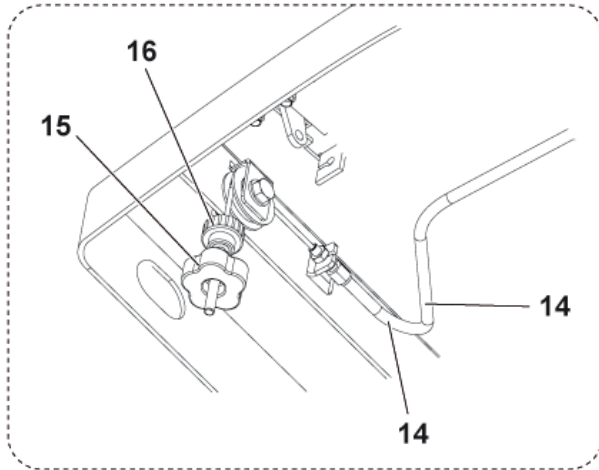
- [1] - OPTIONAL
- [2] - STOCK COVERS GUARANTEE
- [3] - NOT SHOWN - OPTIONAL - SEE INST. INSTR. 1464103000

RIGHT SIDE BROOM ASSY

FLOORTEC R 670 B

2017.11.02

2017.05.26



RIGHT SIDE BROOM ASSY

FLOORTEC R 670 B

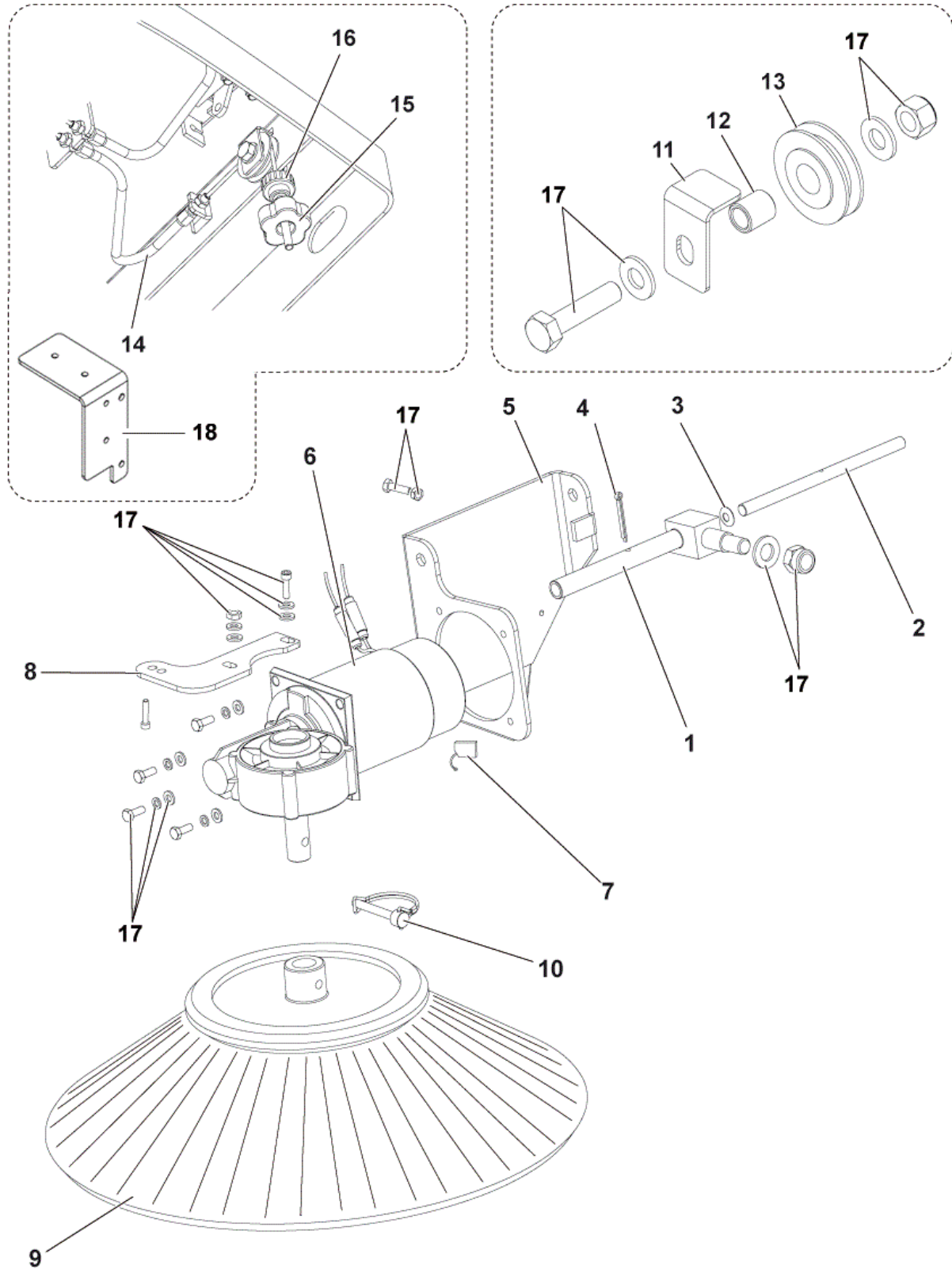
2017.11.02

2017.05.26

Pos.	Vare-nr	Antal	Beskrivelse	Notes
1	145 1792 000	1	Stang, Sidebørste	
2	145 1951 000	1	Stang, Sidebørste	
3	145 2644 000	1	Fjeder 6,2X15X0,5	
4	145 9624 000	1	Split	
5	1463151000	1	Støtte Højre Side	[1]
6	1467688000	1	REDUCTION GEARMOTOR 60W 24V RT KIT	
7	1467083000	1	CARBON BRUSH 2 PCS SET	
8	1464355000	1	Bracket Gear Fixing	
9	1466140000	1	Sidekost stålmix 180 x 400	
9	1466141000	1	Sidekost naturhår 180 x 400	[2]
10	1463960000	1	Clip With Pin	
11	1463957000	1	BRACKET SIDE BROOM CABLE FIXING GALV.	
12	909 5312 000	1	SPACER D.8.2X12 H.13.5 BRASS	
13	145 2612 000	1	Remskive	
14	146 2475 000	1	Kabel, H. Sidebørste Sr 1100 Sb	
15	146 2470 000	1	Knob M6	
16	1466374000	1	KNOB KNURLED M6 FEMALE SIP	
17	1464100000	1	Hardware Side Broom Kit	

Part Notes:

- [1] - STOCK COVERS GUARANTEE
- [2] - OPTIONAL



LEFT SIDE BROOM ASSY

FLOORTEC R 670 B

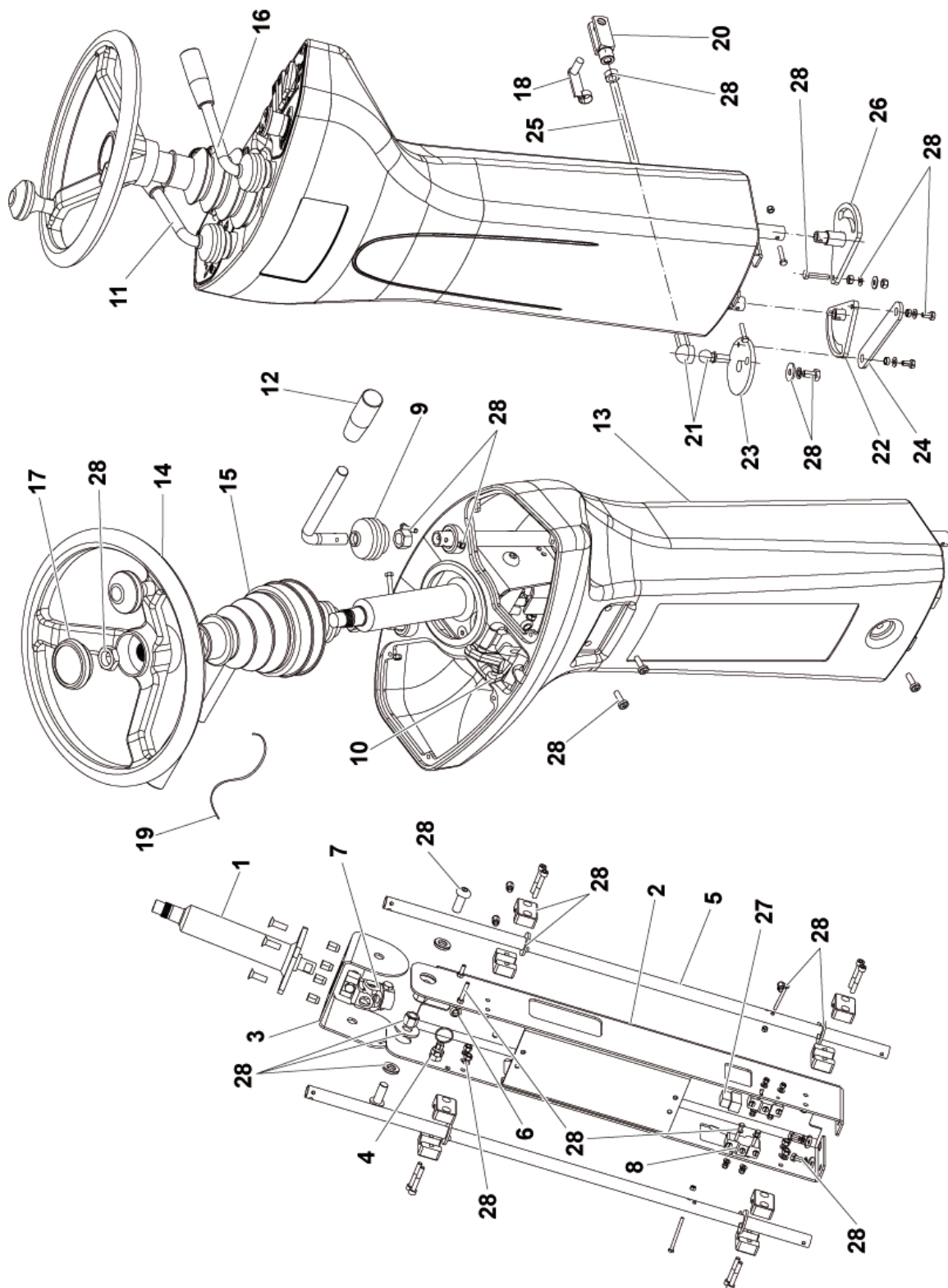
2017.11.02

2017.05.26

Pos.	Vare-nr	Antal	Beskrivelse	Notes
1	145 1792 000	1	Stang, Sidebørste	
2	145 1951 000	1	Stang, Sidebørste	
3	145 2644 000	1	Fjeder 6,2X15X0,5	
4	145 9624 000	1	Split	
5	1463153000	1	Beslag, V. Sidebørste	[1]
6	1467689000	1	REDUCTION GEARMOTOR 60W 24VLT KIT	
7	1467083000	1	CARBON BRUSH 2 PCS SET	
8	1464355000	1	Bracket Gear Fixing	
9	1466140000	1	Sidekost stålmix 180 x 400	
9	1466141000	1	Sidekost naturhår 180 x 400	[2]
10	1463960000	1	Clip With Pin	
11	1463957000	1	BRACKET SIDE BROOM CABLE FIXING GALV.	
12	909 5312 000	1	SPACER D.8.2X12 H.13.5 BRASS	
13	145 2612 000	1	Remskive	
14	146 2520 000	1	Kabel, V. Sidebørste Sr 1100 Sb	
15	146 2470 000	1	Knob M6	
16	1466374000	1	KNOB KNURLED M6 FEMALE SIP	
17	1464100000	1	Hardware Side Broom Kit	
18	1467509000	1	BRACKET F REINFORCEMENT PLATE KIT	[3]

Part Notes:

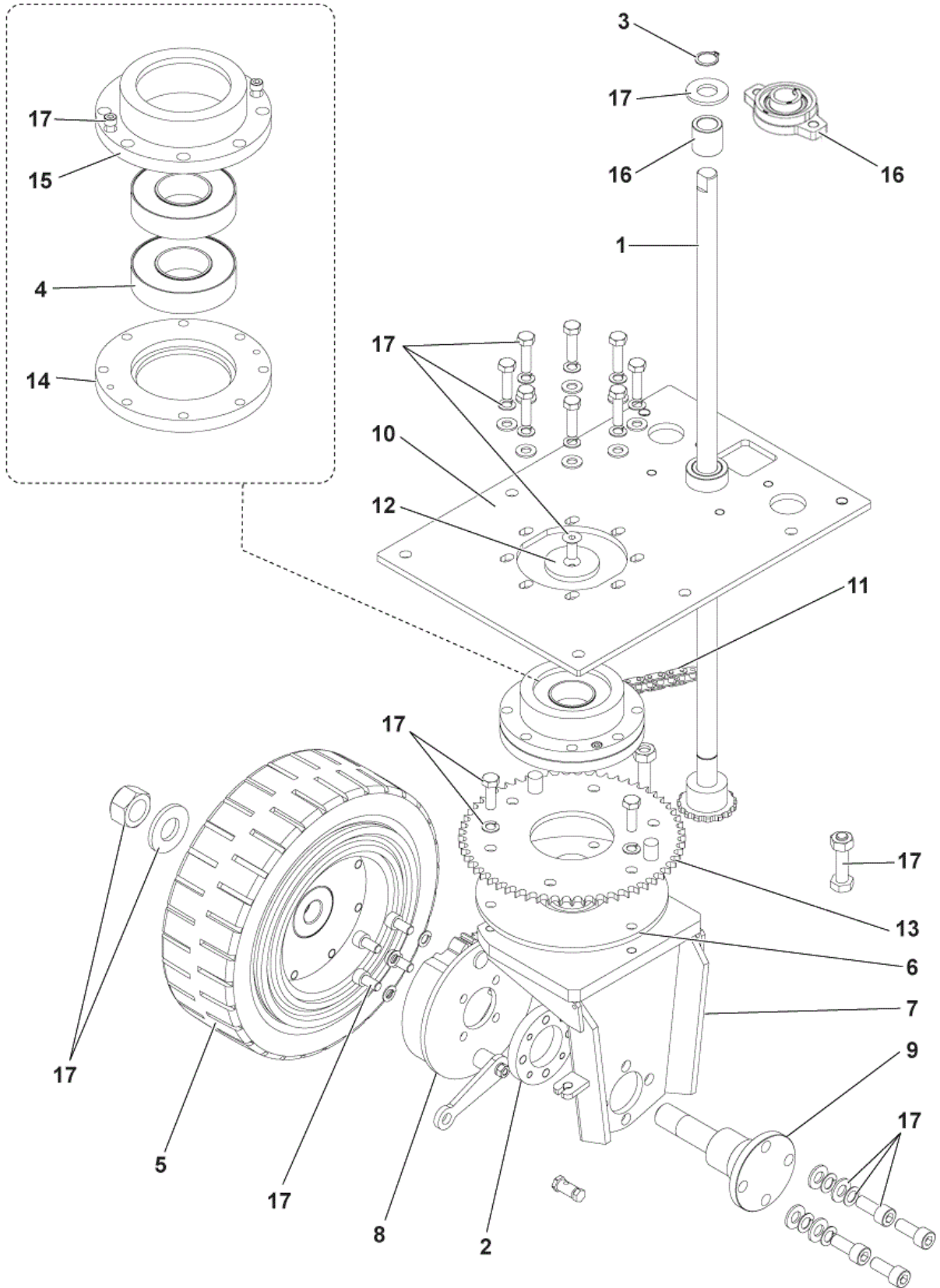
- [1] - STOCK COVERS GUARANTEE
 [2] - OPTIONAL
 [3] - Before machine SN 3810154500010
 SeeInst. Instr.1467510000



Pos.	Vare-nr	Antal	Beskrivelse	Notes
1	1466525000	1	COLUMN STEERING SIP	
2	1465515000	1	COLUMN STEERING KIT	[1]
2	1467671000	1	COLUMN STEERING KIT	[2]
3	1465516000	1	SUPPORT STEERING COLUMN KIT	
4	1466330000	1	PLUNGER M10 W/CABLE KIT	[3]
5	146 2452 000	2	PIPE LEVER EXTENSION GALV.	
6	146 2450 000	2	TIE-ROD EYE D.8 M5X52MM GALV.	
7	1466319000	1	JOINT UNIVERSAL D.17 SIP	
8	1466506000	2	MICROSWITCH 10A 250V PKD	
9	146 2456 000	2	BELLOWS RUBBER	
10	146 2458 000	1	Lever	
11	1463804000	1	Lever Right Side	
12	146 2453 000	2	Handle Lever	
13	146 2717 000	1	COVER FRONT ROTOMOLDED BLUE	[4]
14	146 2106 000	1	WHEEL, STEERING D.320	
15	146 2457 000	1	BELLOWS RUBBER	
16	1463803000	1	Lever Left Side	
17	1467031000	1	CAP SIP	
18	145 4540 000	1	Lås, M10	
20	145 9666 000	1	Beslag, M10	
21	145 9769 000	2	BALL JOINT M10	
22	1466531000	1	LEVER MAIN BROOM SIP	
23	1467696000	1	PLATE GALV. MAIN BROOM SIP	
24	146 2467 000	1	Vippearm hovedkost	
25	146 2468 000	1	ROD THREADED M10X410 DIN975	
26	1466532000	1	LEVER SIDE BROOM SIP	
27	146 1646 000	1	Relay 24V	
28	1464292000	1	HARDWARE STEERING KIT	

Part Notes:

- [1] - VALID ONLY FOR MACHINES UNTIL S/N 3810172100044
- [2] - VALID ONLY FOR MACHINES FROM S/N 3810172100045
- [3] - INCLUDED POS. 19
- [4] - STOCK COVERS GUARANTEE



Pos.	Vare-nr	Antal	Beskrivelse	Notes
1	146 0960 000	1	Styreaksel	[1]
1	1467668000		SHAFT STEERING W/PINION PHOS.	[2]
2	145 1747 000	1	FLANGE GALV. F BRAKE FRONT WHEEL	
3	9100001345	1	RING D 17 UNI7435 10 PCS SET	[1]
4	145 2357 000	2	Leje	
5	146 2442 000	1	Forhjul	
5	146 2745 000	1	Hjul, forest, sværtefri	[3]
6	146 2438 000	1	SPACER	
7	146 2437 000	1	SUPPORT FRONT WHEEL	
8	146 2441 000	1	Block For Brake	
8	1464592000	1	SHOES BRAKE KIT	
9	146 2440 000	1	PIN FRONT WHEEL PHOS.	
10	146 2439 000	1	PLATE SUPPORT STEERING	[4]
10	1467670000	1	PLATE SUPPORT STEERING GALV.	[2]
11	146 2443 000	1	Kæde Til Styretøj	
12	145 2585 000	1	WASHER METAL F STEERING SUPPORT FIXING	
13	145 2714 000	1	SPROCKET T60 3/8	
14	145 2587 000	1	FLANGE	
15	145 2586 000	1	FLANGE	
16	145 9505 000	1	Bussning	[1]
16	1467674000	1	BEARING SELF ALIGNING W/HOUSING KIT	[2]
17	1464293000	1	HARDWARE FRONT WHEEL KIT	
18	1465612000	1	WHEEL CHAIN TENSIONER KIT	[5]

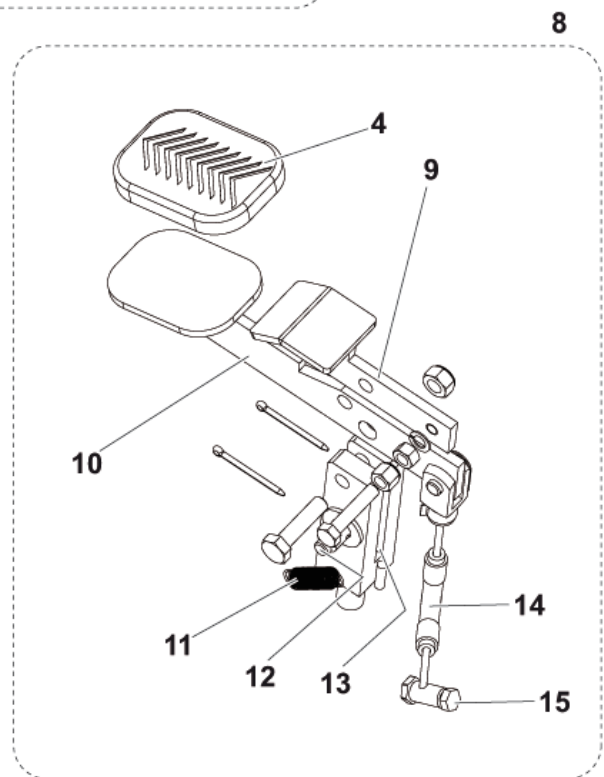
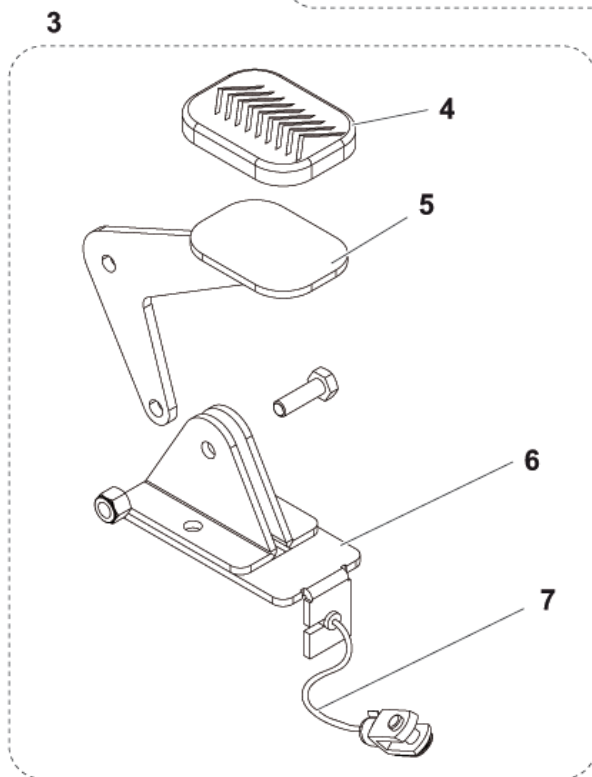
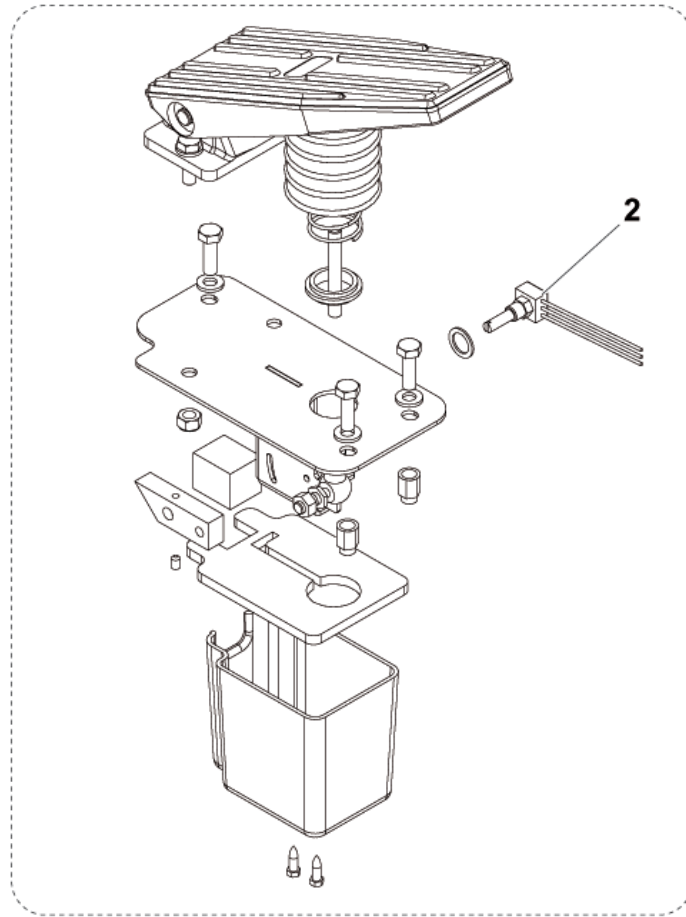
Part Notes:

- [1] - VALID ONLY FOR MACHINES UNTIL S/N 3810172100044
- [2] - VALID ONLY FOR MACHINES FROM S/N 3810172100045
- [3] - OPTIONAL
- [4] - STOCK COVERS GUARANTEE

TSB-FC-2016-017 hard steering SR1101

DE TSB-FC-2016-017 SR1101 Floortec R670 schwergängige Lenkung
VALID ONLY FOR MACHINES UNTIL S/N 3810172100044

- [5] - NOT SHOWN - STARTING FROM S/N 3810134500053



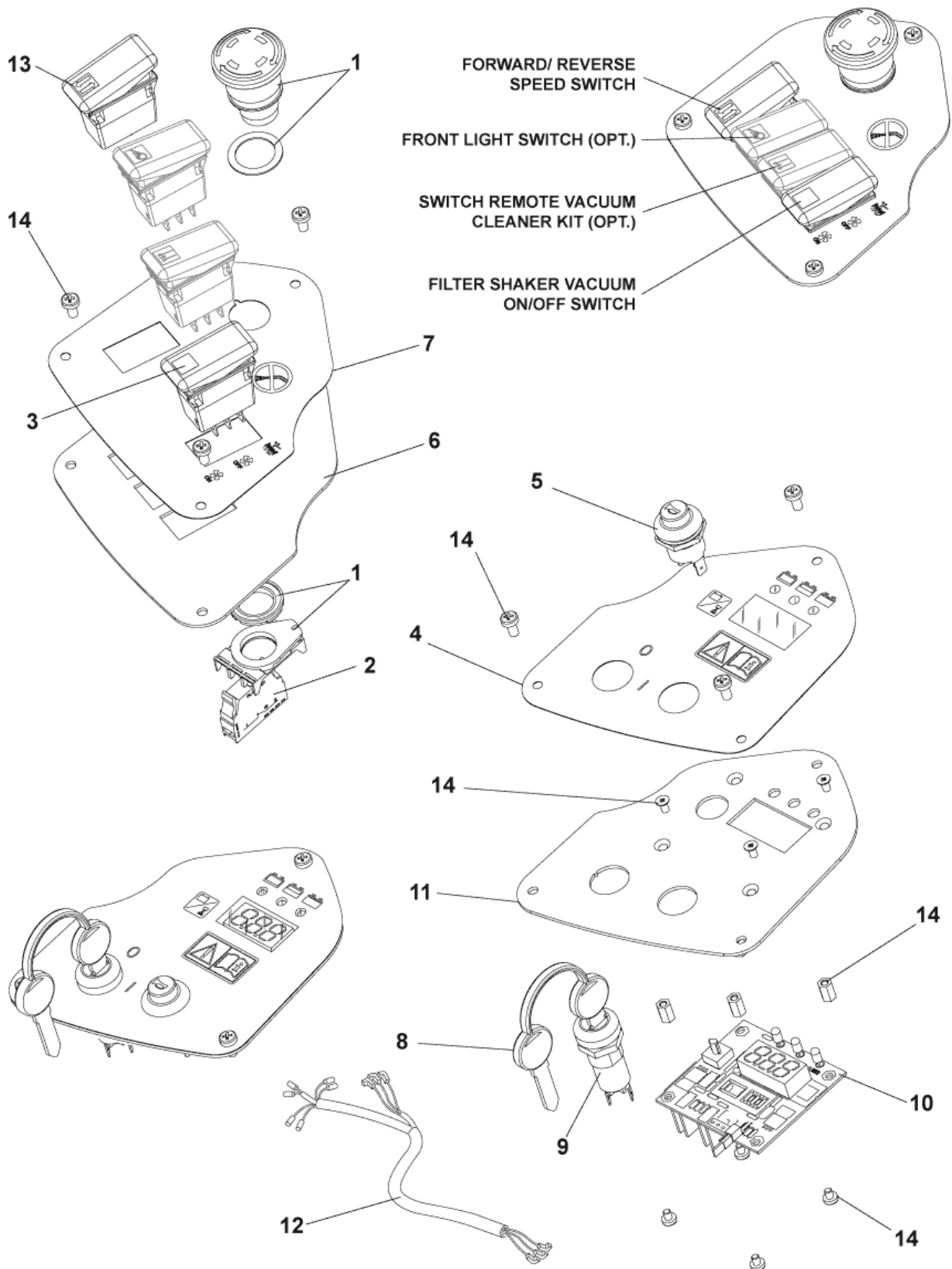
PEDAL ASSEMBLIES

FLOORTEC R 670 B

2017.11.02

2017.12.21

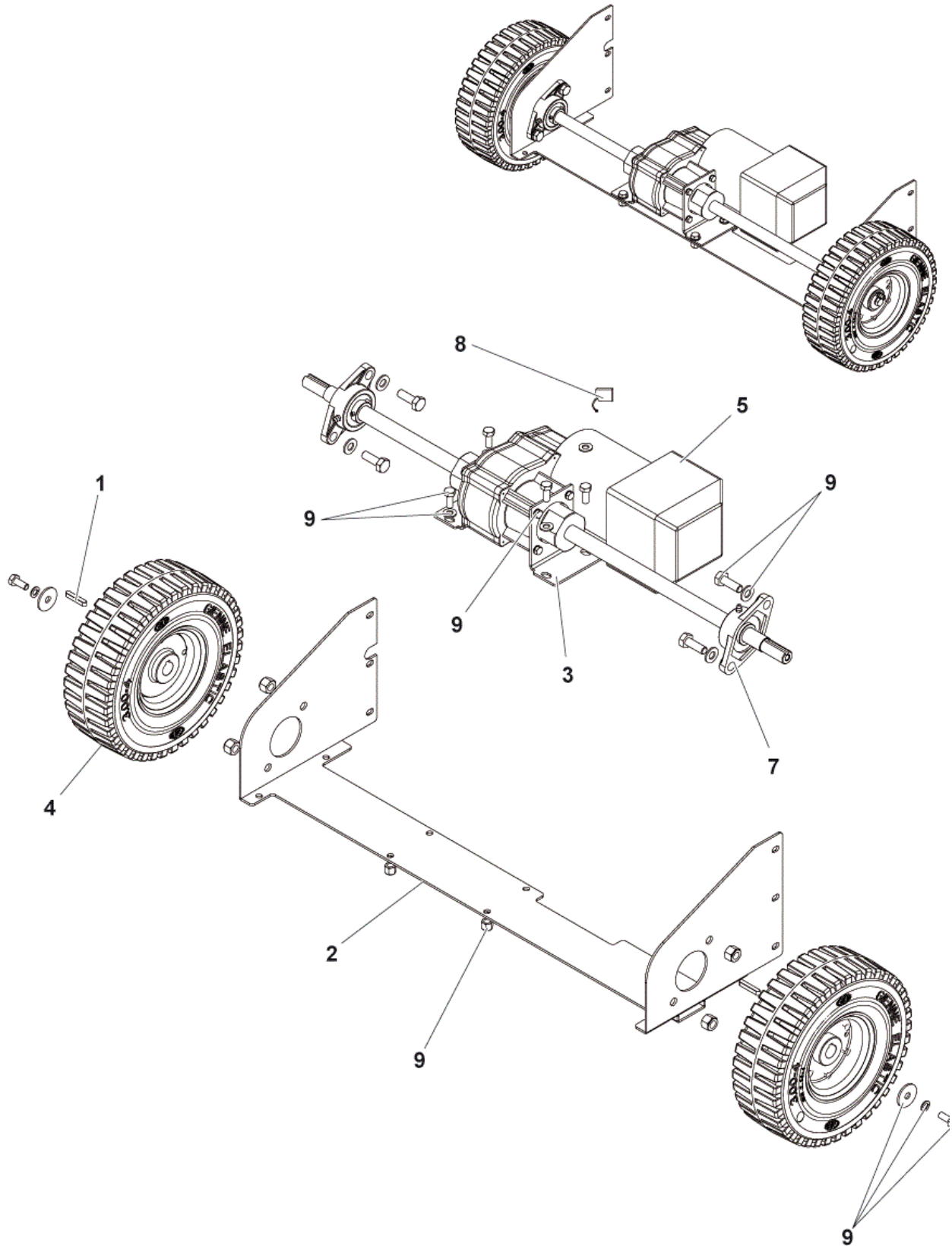
Pos.	Vare-nr	Antal	Beskrivelse	Notes
1	146 2542 000	1	Gaspedal kontrol kit	
2	146 2606 000	1	Potentiometer R 570 P	
3	146 2852 000	1	PEDAL SKIRT RAIS.DEVICE KIT	
4	145 8478 000	2	Pedalgummi	
5	145 1841 000	1	PEDAL GALV. F SKIRT RAIS.DEVICE	
6	145 1839 000	1	SUPPORT GALV. F PEDAL SKIRT RAIS.DEVICE	
7	146 2477 000	1	Kabel, Flap Sr1100 Sb	
8	146 2853 000	1	PEDAL BRAKE KIT	
9	145 3490 000	1	PEDAL PARKING BRAKE GALV.	
10	145 3472 000	1	PEDAL	
11	145 9290 000	1	Fjäder	
12	145 2541 000	1	PIN GALV. F PEDAL	
13	145 2540 000	1	SUPPORT PEDAL GALV.	
14	146 2463 000	1	Kabel, Bremse Sr1100 Sb	
15	146 2444 000	1	Wirelös	



Pos.	Vare-nr	Antal	Beskrivelse	Notes
1	1466683000	1	SWITCH EMERGENCY KIT	
2	146 1728 000	1	Kontakt	
3	146 2532 000	1	Kontakt Kontrol Panel	
4	1467761000	1	DECAL CONTROL PANEL RT SIP	
5	145 9678 000	1	SWITCH HORN	
6	146 2460 000	1	CONTROL PANEL LT GALV.	
7	1463991000	1	DECAL CONTROL PANEL LT	
8	146 2887 000	1	Nøgle (2 Pcs) Ba510Sd	
9	9100001354	1	SWITCH KEY WITH CAP PKD	
10	1466161000	1	CONTROLLER MAIN MACHINE KIT	[1]
11	146 2459 000	1	CONTROL PANEL RT GALV.	
12	146 2489 000	1	HARNESS CONTROL PANEL	
13	146 2655 000	1	Switch	
14	1464294000	1	HARDWARE CONTROL PAN.KIT	

Part Notes:

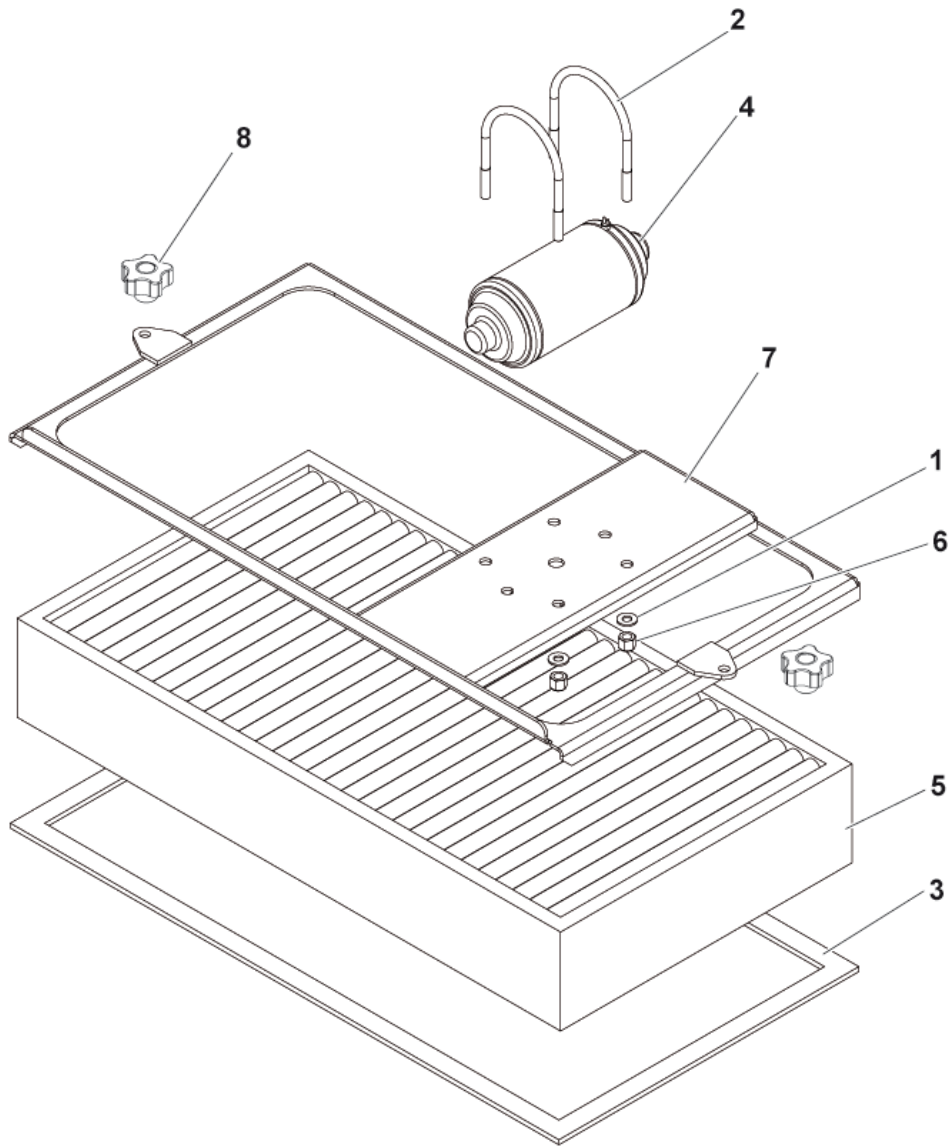
[1] - INSTALLATION INSTRUCTIONS 1465914000



Pos.	Vare-nr	Antal	Beskrivelse	Notes
1	145 9776 000	2	Kil	
2	1463964000	1	BRIDGE REAR WHEELS BLACK	[1]
3	146 2435 000	2	Beslag	
4	146 2746 000	2	Hjul, bagerst, sværtfri	[2]
4	1467558000	2	WHEEL CPL 3.00/4 SOLID RUBBER KIT	
5	1463228000	1	Gearmotor Kit, Sr 1100 Sb	
7	1467697000	2	BEARING SELF ALIG. UCFL204 W/HOUSING SIP	
8	L08603949	1	Kul Kit 4 Stk	
9	1464295000	1	HARDWARE DRIVE SYST.KIT	

Part Notes:

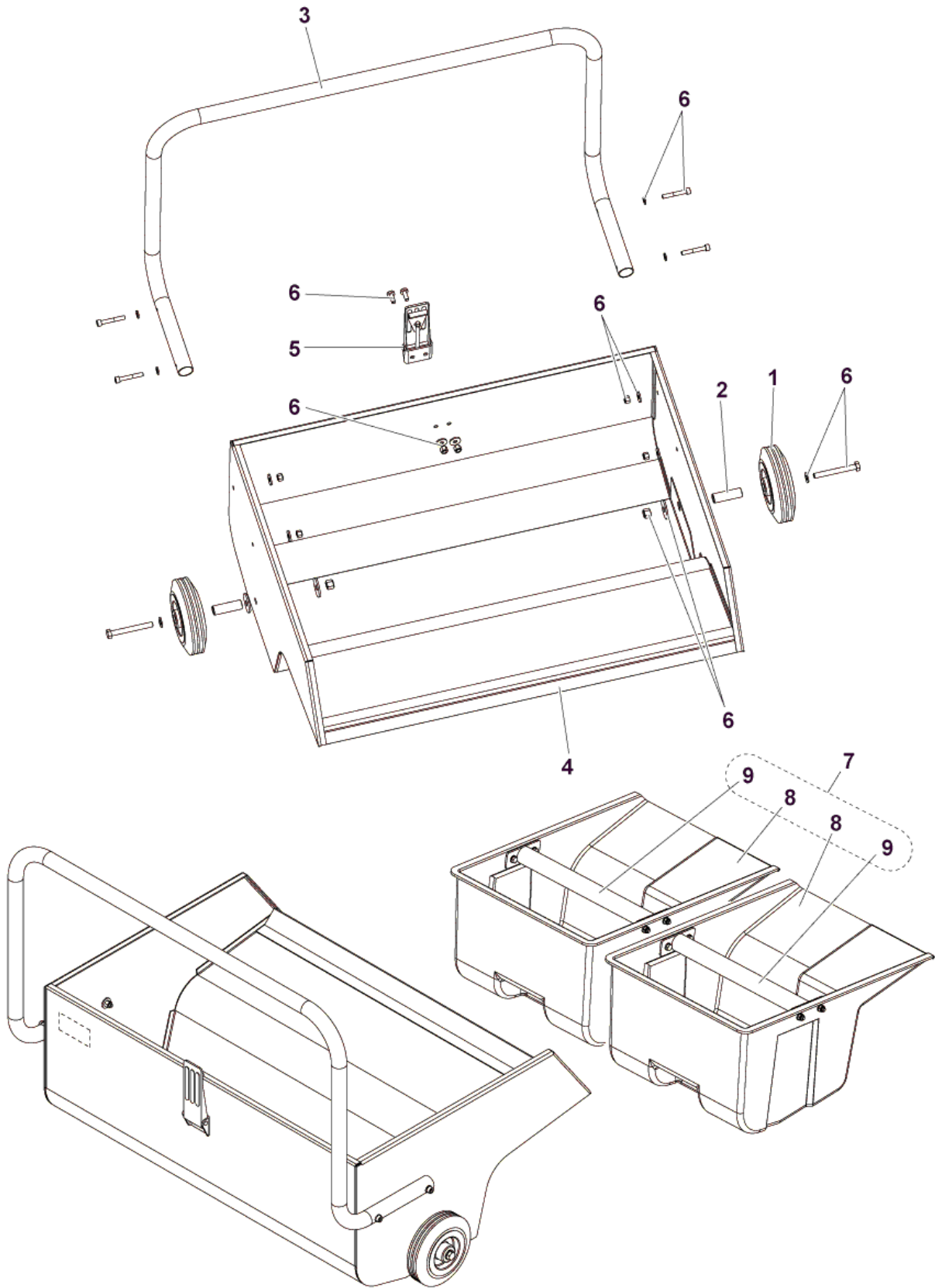
- [1] - STOCK COVERS GUARANTEE
- [2] - OPTIONAL



Pos.	Vare-nr	Antal	Beskrivelse	Notes
1	33023208	1	WASHER M8 UNI6592 10 PCS SET	
2	1465997000	2	COLLAR METAL U M8 SIP	
3	146 2729 000	1	Filterpakningssæt	
4	146 2795 000	1	Filterryster Kit	
5	1463523000	1	Filter papir	
5	145 6013 000	1	Filter polyester antistatisk	[1]
5	146 2759 000	1	Filter polyester	[1]
6	33023207	1	NUT LOCK HEX M8 ISO7040 10 PCS SET	
7	146 2428 000	1	Frame Filtershaker Motor	
8	9100002017	2	KNOB M8 SIP	
9	146 2731 000	1	For-filter	[1]

Part Notes:

[1] - OPTIONAL



WASTE CONTAINER ASSEMBLY

FLOORTEC R 670 B

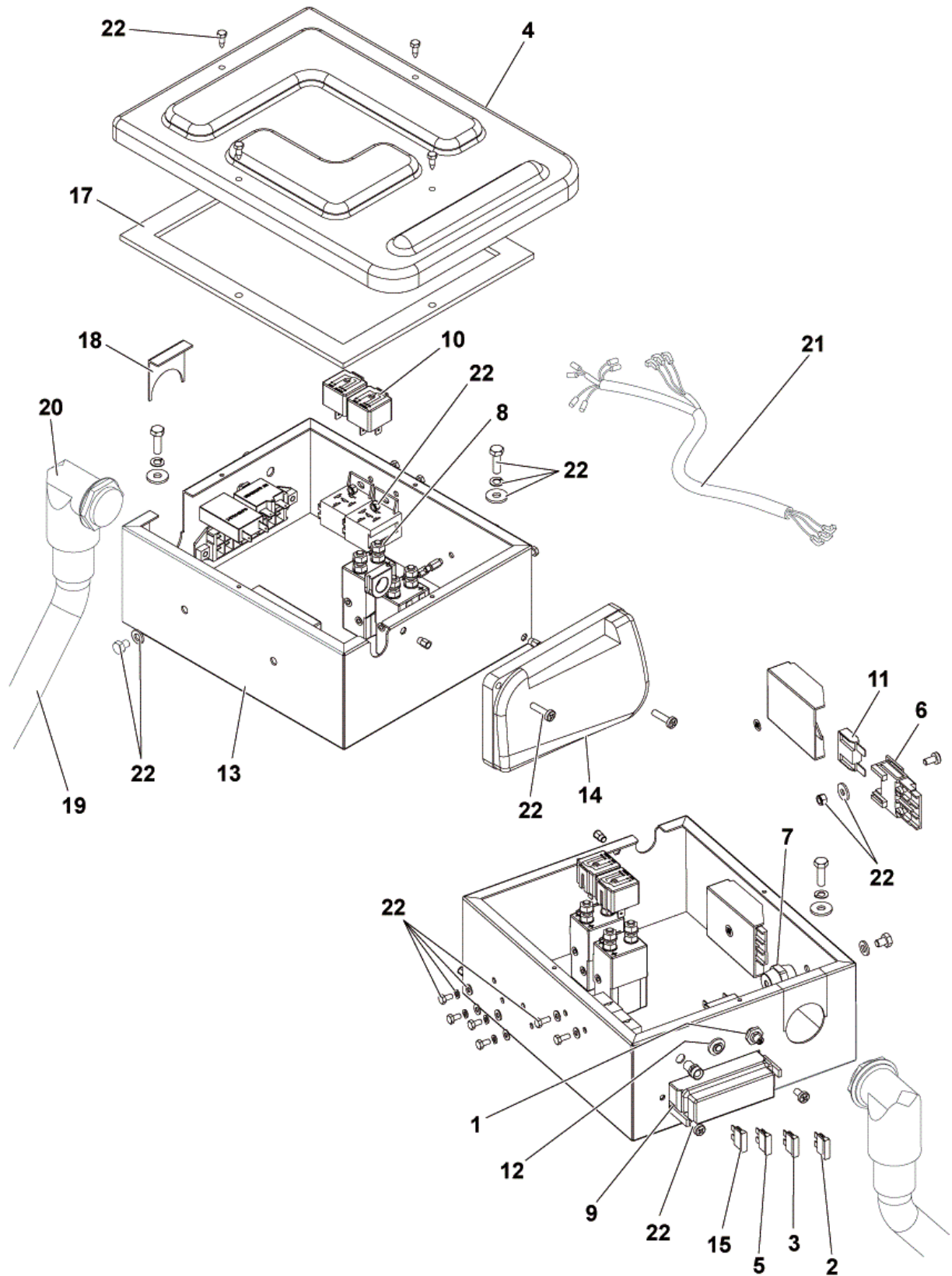
2017.11.02

2017.12.22

Pos.	Vare-nr	Antal	Beskrivelse	Notes
1	145 5116 000	2	WHEEL	
2	145 5118 000	2	BUSH D.10X15 H.47 GALV. WHEEL	
3	1463966000	1	HANDLE MET. BLACK F DIRT CONTAINER	[1]
4	1463949000	1	CONTAINER WASTE MET. BLACK	[1]
5	145 9330 000	1	Krog	
6	1464296000	1	HARDWARE WASTE CONT.KIT	
7	1463981000	1	Mini container sæt til smudsbeholder	[2]
8	1463973000	2	CONTAINER DIRT MINI PLASTIC	
9	1464212000	2	HANDLE MINI CONTAINER	

Part Notes:

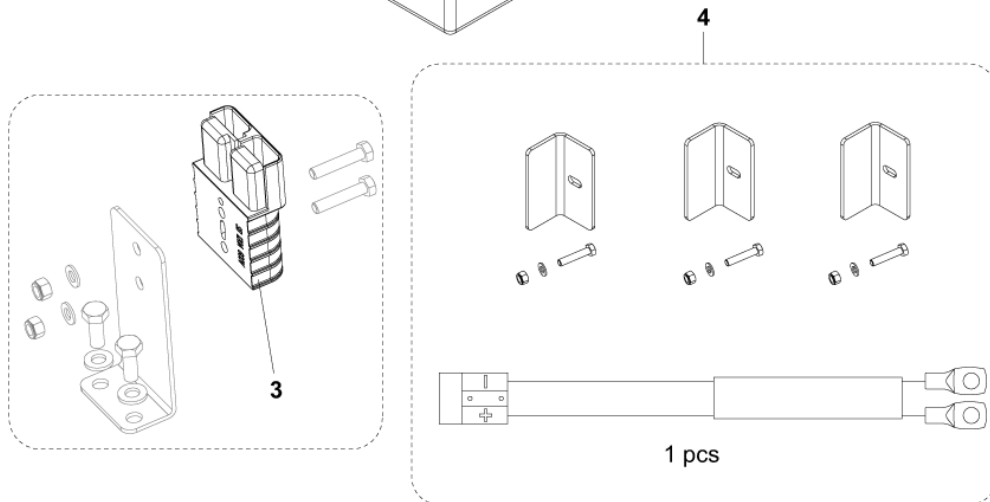
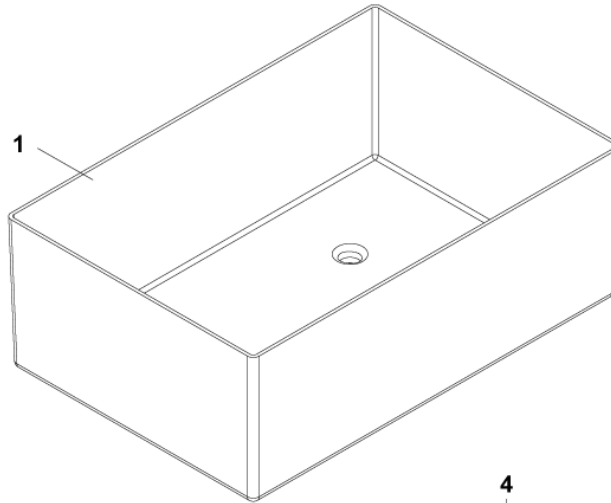
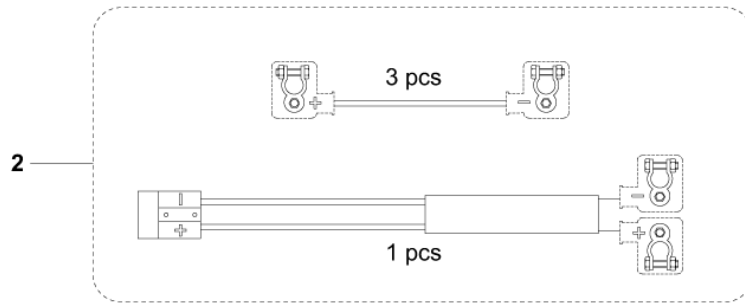
- [1] - STOCK COVERS GUARANTEE
- [2] - OPTIONAL



Pos.	Vare-nr	Antal	Beskrivelse	Notes
1	L08812633	1	Fus 10 A	
2	145 8513 000	1	Sikring 30A	
3	145 0227 000	1	Sikring 40 A, Autosikring	
4	146 2484 000	1	COVER BOX ELEC.COMPONENTS	
5	145 8514 000	2	Sikring 25A	
6	146 0659 000	1	HOLDER MAXIFUSE	
7	146 0708 000	1	INSULATOR M6 WHITE	
8	146 0719 000	1	Relæ, Ba410	
9	146 1170 000	1	Holder Fuse 8 Ways	
10	145 3712 000	2	Relæ, 24V	
11	146 2486 000	1	Sikring 70A	
12	909 5706 000	1	Sikring 30A	
13	1463965000	1	BOX ELECTRIC COMPONENTS BLACK	[1]
14	146 2718 000	1	Elektronisk Kort	
15	145 9853 000	2	Sikring 15 A, Sw700S	
17	146 2802 000	1	GASKET ELECTRIC BOX	
18	1463961000	1	PLATE FOR HARNESS MET.BLACK	
19	1464164000	1	HARNESS MACHINE BATTERY	
20	1463157000	1	GROMMET D.15X22	
21	1464165000	1	HARNESS ELECTRONIC BOX BATTERY	
22	1464297000	1	HARDWARE WIRING FIX.KIT	

Part Notes:

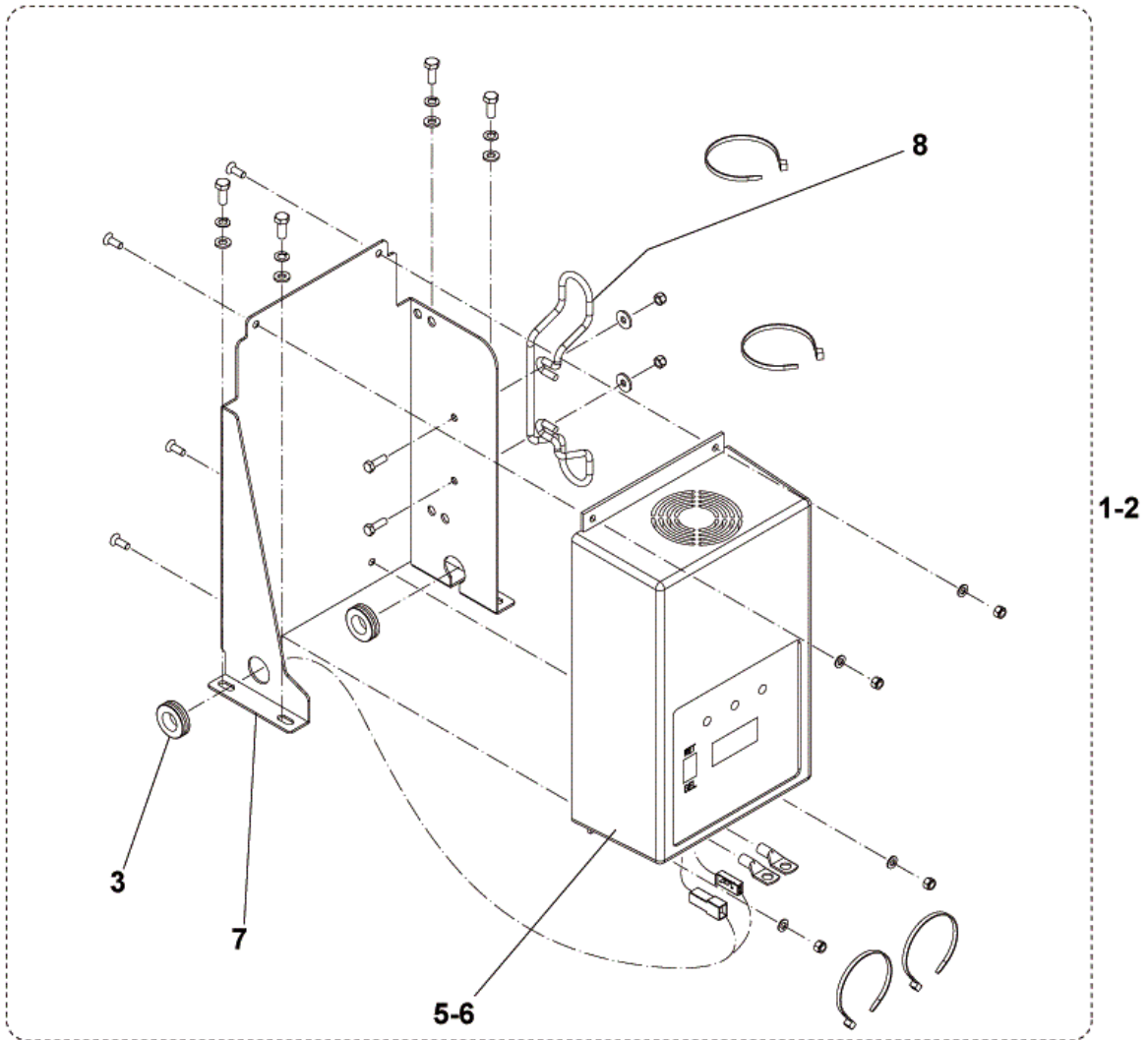
[1] - STOCK COVERS GUARANTEE



Pos.	Vare-nr	Antal	Beskrivelse	Notes
1	145 4692 000	1	Batterikasse Sr1100/1200B	
2	1467532000	1	HARNES BATTERY KIT	
3	146 1986 000	1	Ladestik Rød 120A	
4	146 2791 000	1	Batteri boks kit	[1]

Part Notes:

[1] - OPTIONAL



BATTERY CHARGER ASSEMBLY

FLOORTEC R 670 B

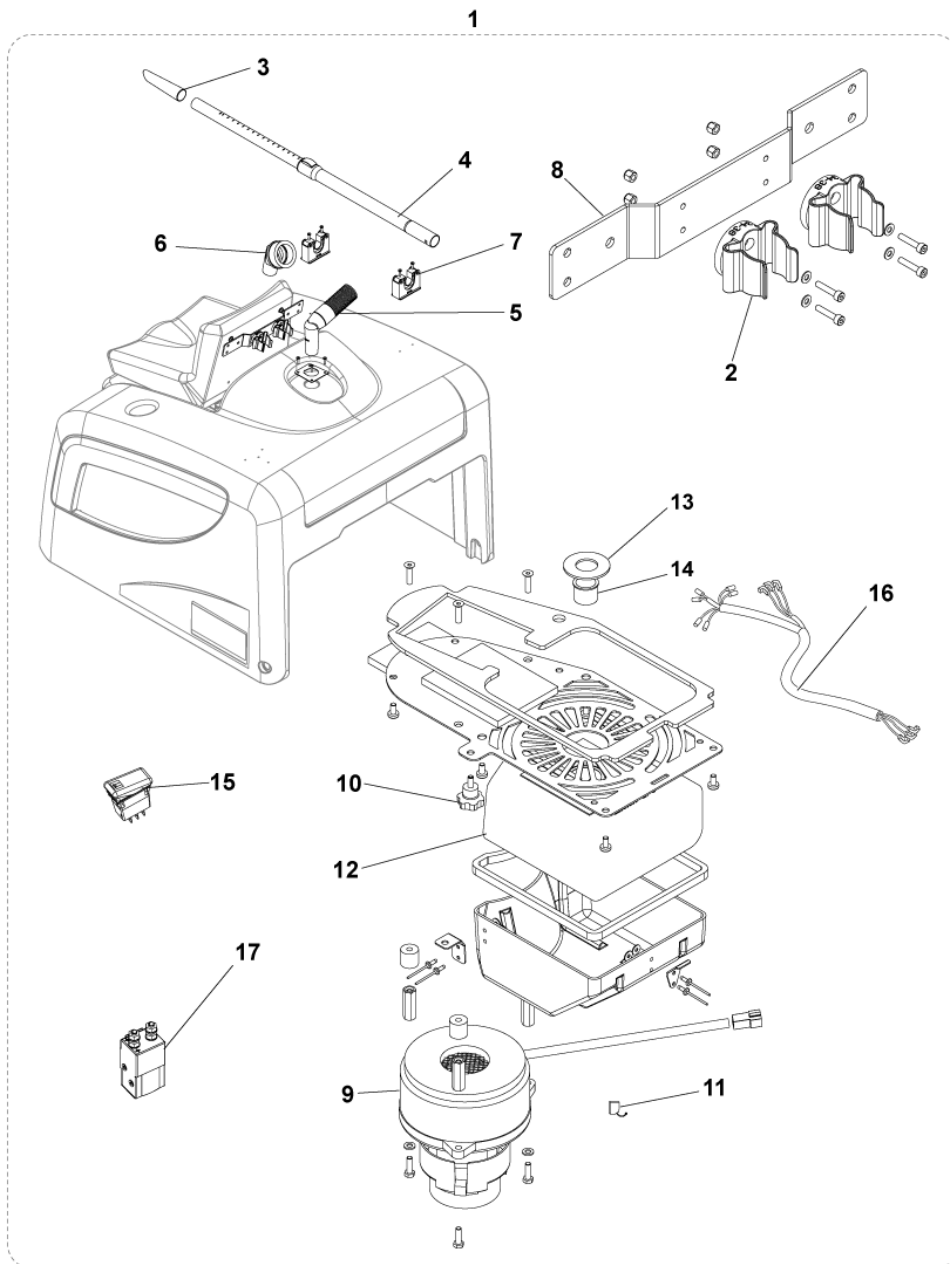
2017.11.02

2017.12.22

Pos.	Vare-nr	Antal	Beskrivelse	Notes
1	146 2052 000	1	Indbygget oplader 24V 25A	
2	146 2337 000	1	CHARGER BATT. ON BOARD 24V 25A 100V KIT	[1]
3	145 1237 000	2	GROMMET D.22	
5	146 2131 000	1	Charger Battery 230V Cpl.	
7	146 2311 000	1	BRACKET	
8	1466317000	1	SUPPORT CABLE KIT	
9	145 1726 000	1	FUSE 10A	[2]
10	146 2139 000	1	CARD ELECTRONIC BATTERY CHARGER	[2]
11	1466172000	1	CONTROLLER DISPLAY SIP	[3]
12	146 2144 000	1	CORD POWER SUPPLY F BATTERY CHARGER	[4]
13	146 2142 000	1	FAN COOLING	[4]
14	146 0801 000	1	SWITCH WET/GEL	[4]

Part Notes:

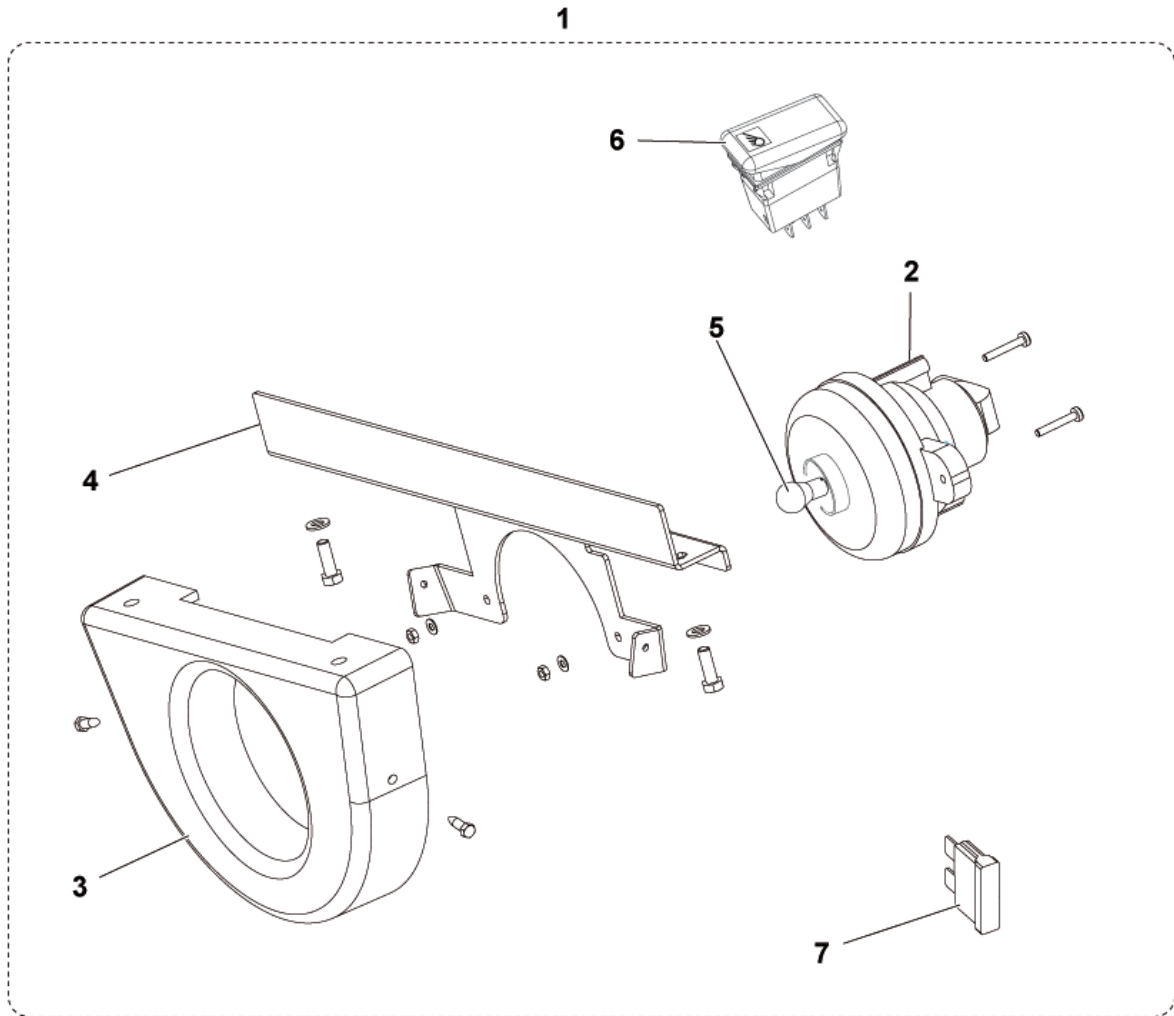
- [1] - COMPLEXITY REDUCTION
- [2] - NOT SHOWN
- [3] - ALTERNATIVE USE 146 2132 000
NOT SHOWN
- [4] - ALTERNATIVE USE 146 2132 000 COMPL.
NOT SHOWN



Pos.	Vare-nr	Antal	Beskrivelse	Notes
1	146 2524 000	1	Støvsugerkit	[1]
2	146 2288 000	2	CLAMP.HOSE D.34-38	
3	81140900	1	Fugemundstykke gummi Ø32	
4	011 8130 500	1	Teleskoprør alu Ø32	
5	140 5691 000	1	Sugeslange Ø32	
6	140 8244 500	1	Rundbørste Ø32	
7	146 2289 000	2	Slange Clips	
8	146 2291 000	1	BRACKET. TOOL MOUNTING	
9	146 2133 000	1	MOTOR VACUUM 500W 24V W/CONN.AND TERM.	
10	1466153000	2	KNOB LOBED M6X15 PKD	
11	909 5074 000	1	Kulbørste Kit 2 Stk	
12	78602600	1	Filterposer mikrofiber (5 stk.)	
13	146 2898 000	1	GASKET VAC HOSE	
14	L08812351	1	BUSHING FLANGED PLASTIC FILTER-VAC MOTOR	
15	146 1973 000	1	Kontakt	
16	146 2522 000	1	HARNESS VACUUM CLEANER	
17	146 0719 000	1	Relæ, Ba410	
18	146 1980 000	1	GASKET VACUUM PLATE	
19	146 2118 000	1	GASKET RUBBER L.750MM PKD	

Part Notes:

[1] - INST. INSTR. 146 2523 000



KIT WORKING LIGHT

FLOORTEC R 670 B

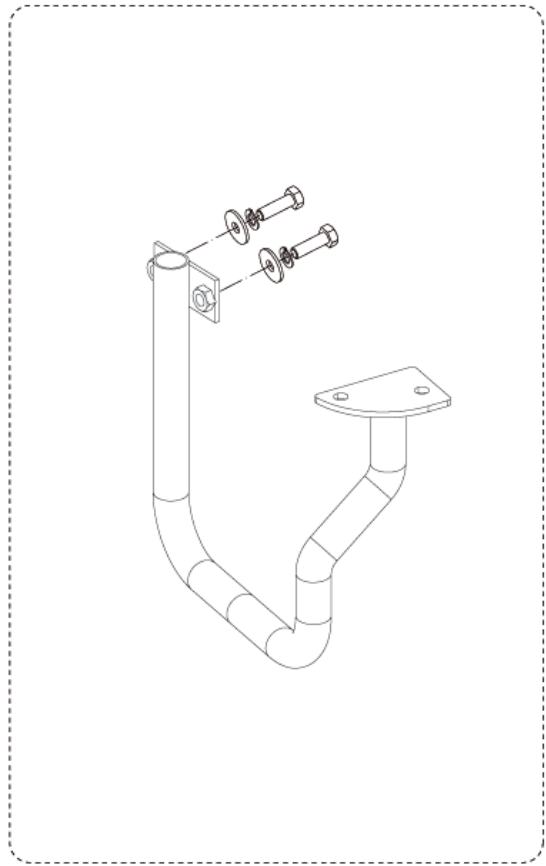
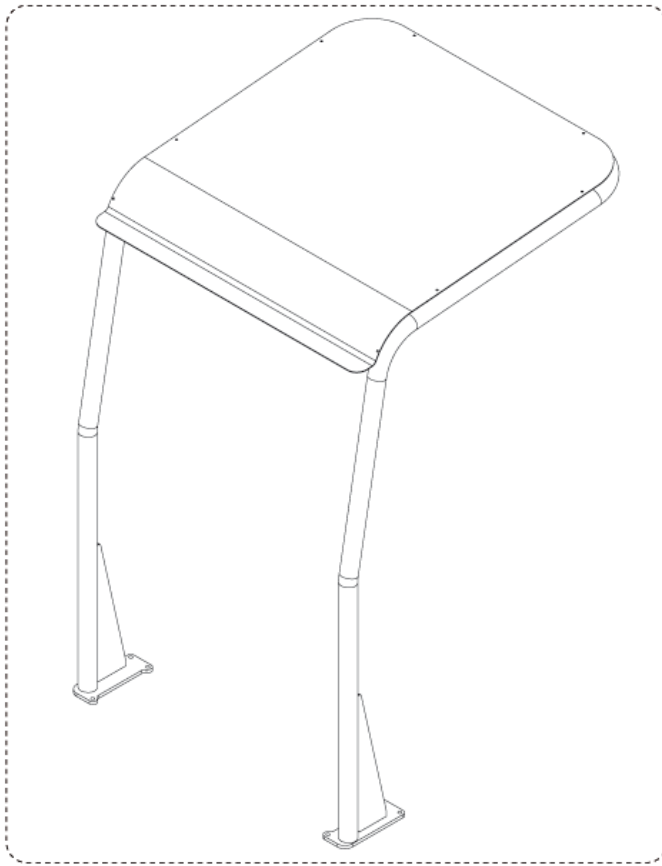
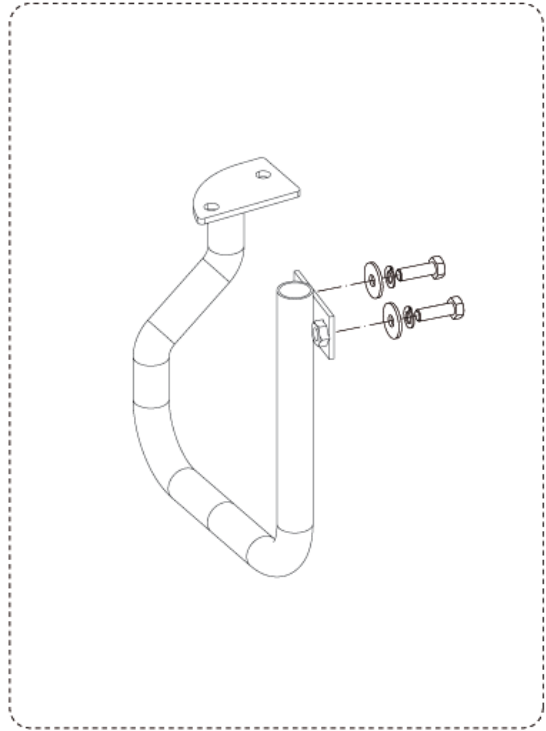
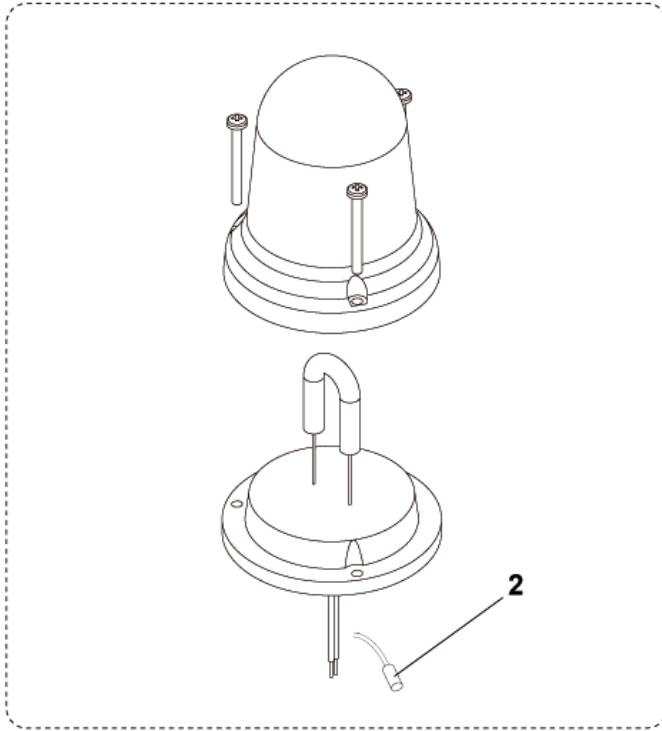
2017.11.02

2017.12.22

Pos.	Vare-nr	Antal	Beskrivelse	Notes
1	1463972000	1	Arbejdslys kit	[1]
2	146 1985 000	1	LIGHT	
3	146 2528 000	1	PROTECTION WORKING LIGHT POLYSTYRENE	
4	1464038000	1	PLATE LIGHT SUPPORT	
5	145 5518 000	1	LAMP 24V 21W	[2]
6	146 1974 000	1	Kontakt	
7	1467034000	1	FUSE BLADE 10A SIP	

Part Notes:

- [1] - OPTIONAL - 1463974000 ASS. INSTR.
- [2] - BUY LOCALLY



KIT FLASHING BEACON - BROOM BUMPER - OVERHEAD GUARD

FLOORTEC R 670 B

2017.12.22

Pos.	Vare-nr	Antal	Beskrivelse	Notes
1	146 2692 000	1	Rotorblink	[1]
2	145 3738 000	1	TERMINAL BULLET M INSULATED 0.25/1 MMQ	
3	1464058000	1	Beskyttelsesbøjle til sidekost (højre)	[2]
4	1464105000	1	Beskyttelsesbøjle til sidekost (venstre)	[2]
5	146 2735 000	1	Førerværn	[3]

Part Notes:

- [1] - OPTIONAL - 146 2693 000 ASS. INSTR.
- [2] - OPTIONAL - 1464060000 ASS. INSTR.
- [3] - OPTIONAL - 146 2738 000 ASS. INSTR.

RECOMMENDED SPARE PARTS

FLOORTEC R 670 B

2017.11.02

2017.05.26

Pos.	Vare-nr	Antal	Beskrivelse	Notes
1	1466140000	2	Sidekost stålmix 180 x 400	
2	145 4879 000	1	Fejevalse standard	
3	1464062000	1	Skørte, Front Sr 1100Sb	
4	145 5927 000	2	Sideskørt	
5	145 1971 000	1	Skørt, Bag Sr 1100 Sb Bakre Gummiflap	
6	1463523000	1	Filter papir	
7	145 1851 000	1	Rem F. Fejevalse	
8	146 2477 000	1	Kabel, Flap Sr1100 Sb	
9	146 2520 000	1	Kabel, V. Sidebørste Sr 1100 Sb	
10	146 2475 000	1	Kabel, H. Sidebørste Sr 1100 Sb	
11	1463959000	1	Hovedbørste Kabel	
12	146 2729 000	1	Filterpakningssæt	
13	146 0741 000	1	Pakning	
14	1463977000	1	GASKETS HOPPER KIT	
15	1464432000	1	Brush Carbon Kit 4Pcs	
16	1467083000	2	CARBON BRUSH 2 PCS SET	
17	L08603949	2	Kul Kit 4 Stk	
18	909 5074 000	1	Kulbørste Kit 2 Stk	
19	146 2486 000	1	Sikring 70A	
20	145 0227 000	1	Sikring 40 A, Autosikring	
21	145 8514 000	1	Sikring 25A	
22	145 8513 000	1	Sikring 30A	
23	1467558000	2	WHEEL CPL 3.00/4 SOLID RUBBER KIT	
24	146 2442 000	1	Forhjul	
25	146 2795 000	1	Filterryster Kit	
26	9100000855	1	SPRING GAS 30 KG PKD	
27	1466161000	1	CONTROLLER MAIN MACHINE KIT	
28	146 2887 000	1	Nøgle (2 Pcs) Ba510Sd	
29	146 2718 000	1	Elektronisk Kort	
30	146 2792 000	1	Motor, Børste	
31	1467688000	1	REDUCTION GEARMOTOR 60W 24V RT KIT	
32	1467689000	1	REDUCTION GEARMOTOR 60W 24VLT KIT	
33	1466506000	2	MICROSWITCH 10A 250V PKD	
34	146 2532 000	1	Kontakt Kontrol Panel	
35	146 2608 000	1	SWITCH ROCKER FORWARD-REVERSE SPEED	
36	909 5706 000	1	Sikring 30A	
37	L08812633	1	Fus 10 A	
38	146 2542 000	1	Gaspedal kontrol kit	
39	146 1646 000	1	Relay 24V	
40	146 0719 000	1	Relæ, Ba410	
41	146 2606 000	1	Potentiometer R 570 P	
42	146 2463 000	1	Kabel, Bremse Sr1100 Sb	

