

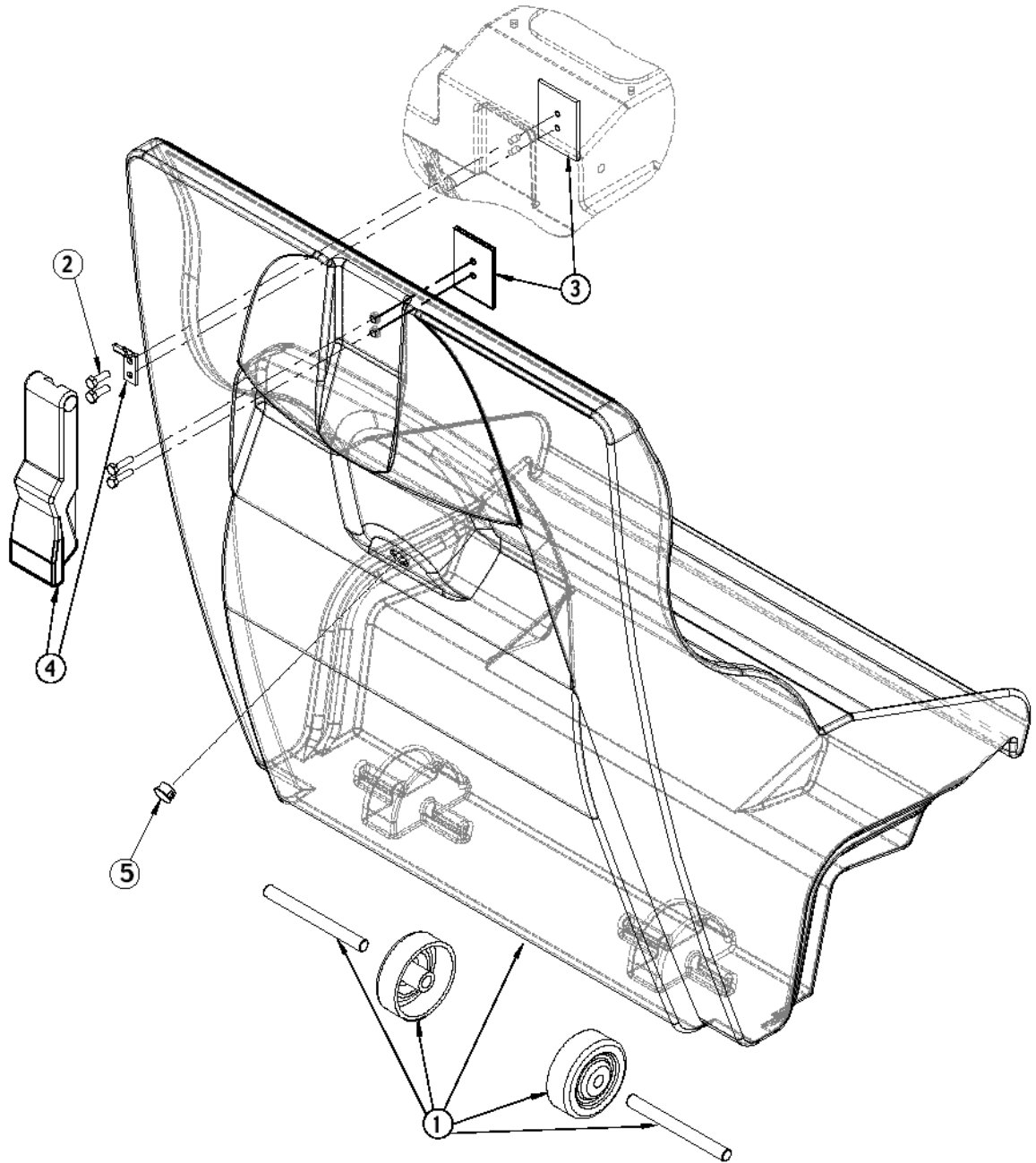
PARTS LIST



2020.04.14

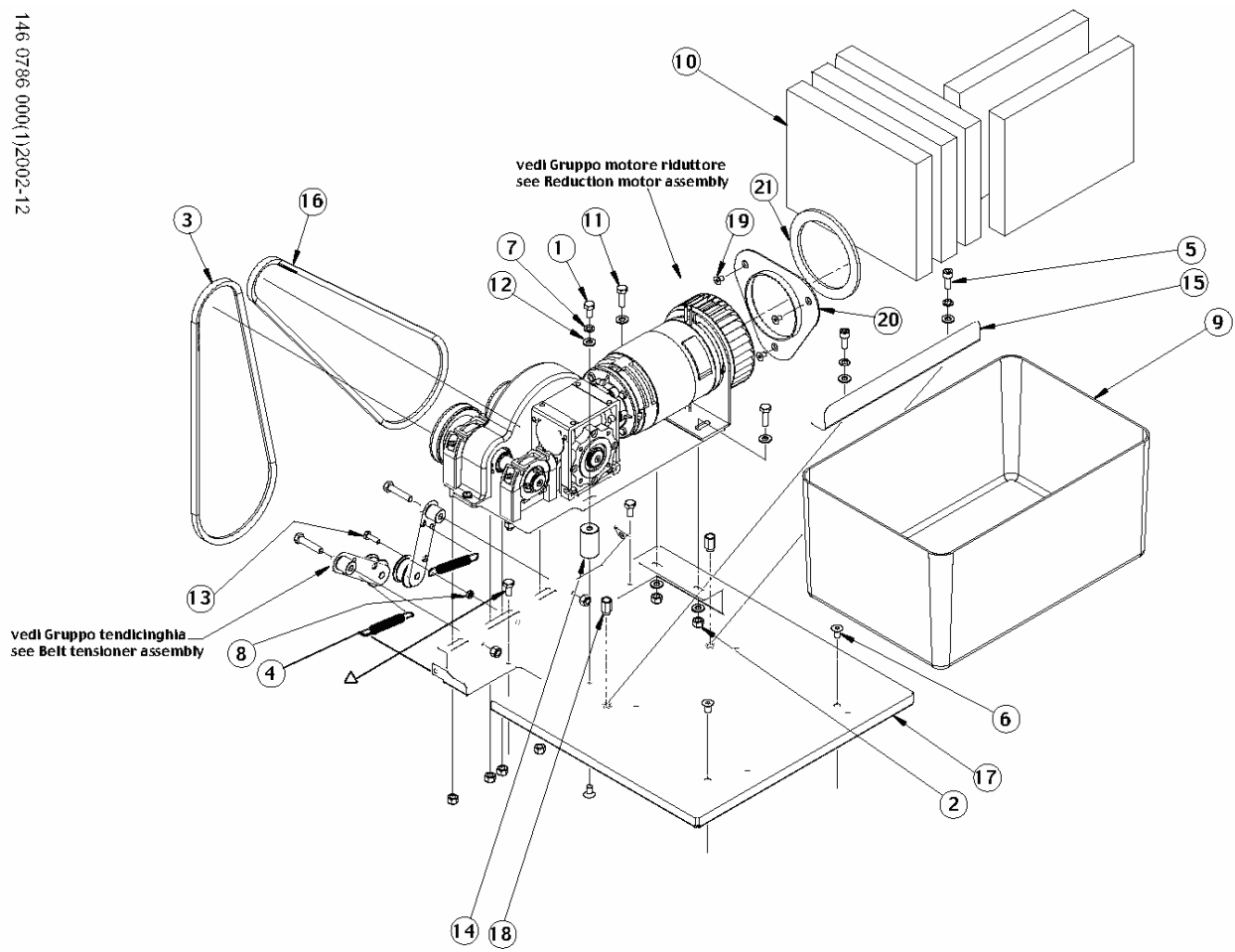
TABLE OF CONTENTS

Hopper system	1
Transmission system	3
Belt tensioner assembly	5
Reduction motor assembly	7
Dust control filter	9
Dust control system	11
Handle system	13
Control panel system	15
Right-left hub assemblies	17
Decals	19
Chassis system	21
Electrical components	23
Battery charger kit	25
Wiring diagram	27
Recommended spare parts	29
Main broom assembly	31
Side broom assembly	33
Drive wheels assembly	35



Pos.	Vare-nr	Antal	Beskrivelse	Notes
1	1466159000	1	CONTAINER WASTE GREY ROTOMOULDED KIT	
2	33003963	4	SCREW M5X20 HEX HD F/THD ISO4017	
3	146 0562 000	2	Plate	
4	146 0520 000	1	Gummi Ophæng	
5	145 4259 000	1	Dæksel, Sort	

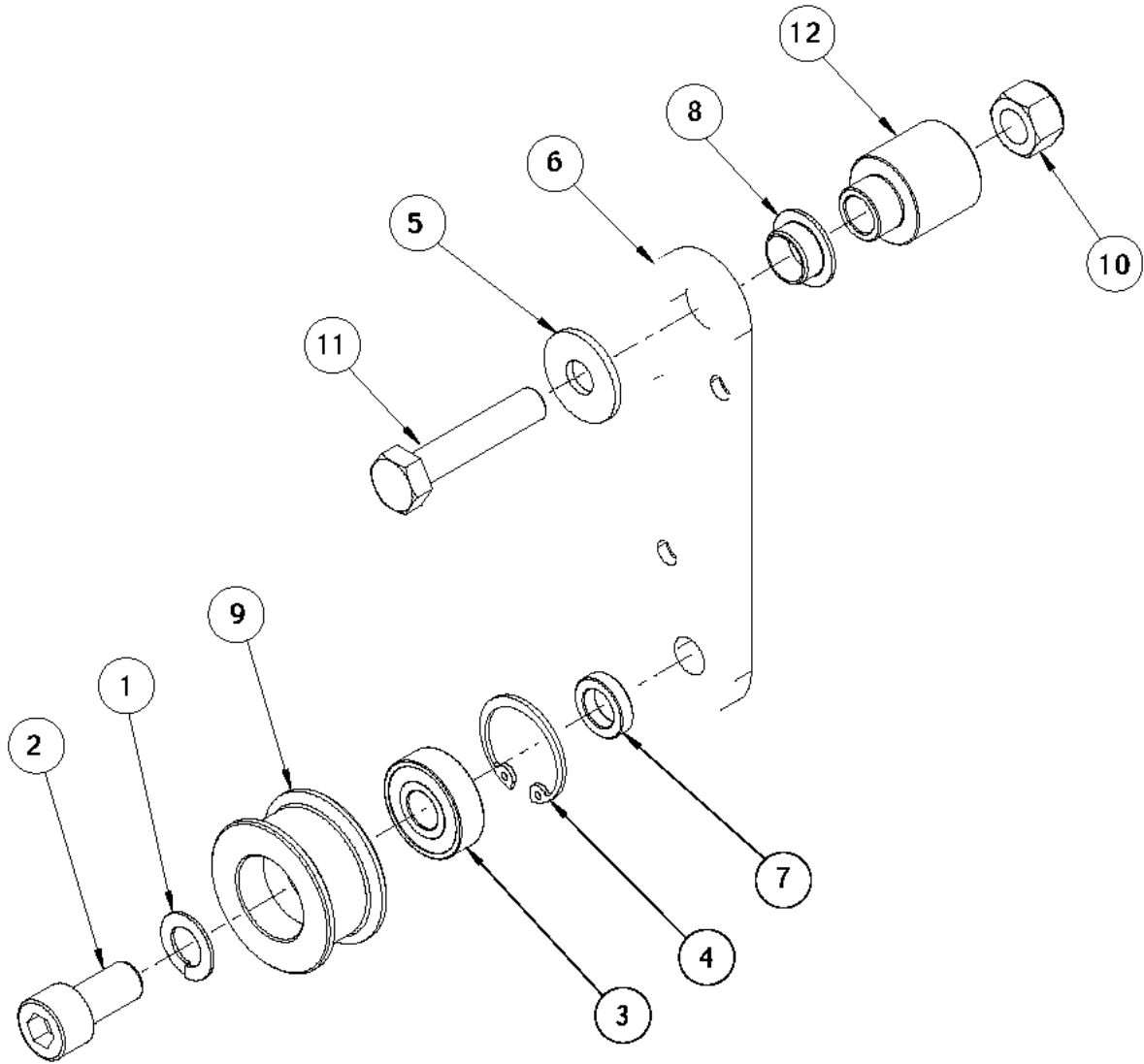
146 0786 000(1)2002-12



Pos.	Vare-nr	Antal	Beskrivelse	Notes
1	L08274300	3	Screw Ba450/530	[1]
2	33023574	2	NUT LOCK HEX M8 ISO10511 PCS 10 SET	
3	146 0150 00	1	Belt	
4	145 0274 000	2	Fjeder	
5	33004365	2	SCREW M8X20 CAP HD HEX SOCK ISO4762	
6	33023307	1	SCREW M8X16 HEX HD ISO4017 10 PCS SET	
7	33023223	3	WASHER SPRING LOCK M8 DIN127B 10 PCS SET	
8	33023183	1	NUT HEX M6 LOW ISO4035 10 PCS SET	[1]
9	145 5252 000	1	CONTAINER BATTERY	
10	146 0668 000	5	PANEL INSULATING	
11	33005445	2	Skruer Galvaniseret M8X25 Ba650S	
12	33023208	7	WASHER M8 UNI6592 10 PCS SET	
13	33023470	1	SCREW M6X20 HEX HD ISO4017 10 PCS SET	
14	146 0515 000	1	SPACER M8X25 H.42 PHOS.	[1]
15	146 0543 000	1	BRACKET BATTERY RETAINING	
16	1467726000	1	BELT V COGGED XPZ 1162 SIP	
17	146 0536 000	1	PLATE	[1]
18	145 6133 000	2	INSERT M8	[1]

Part Notes:

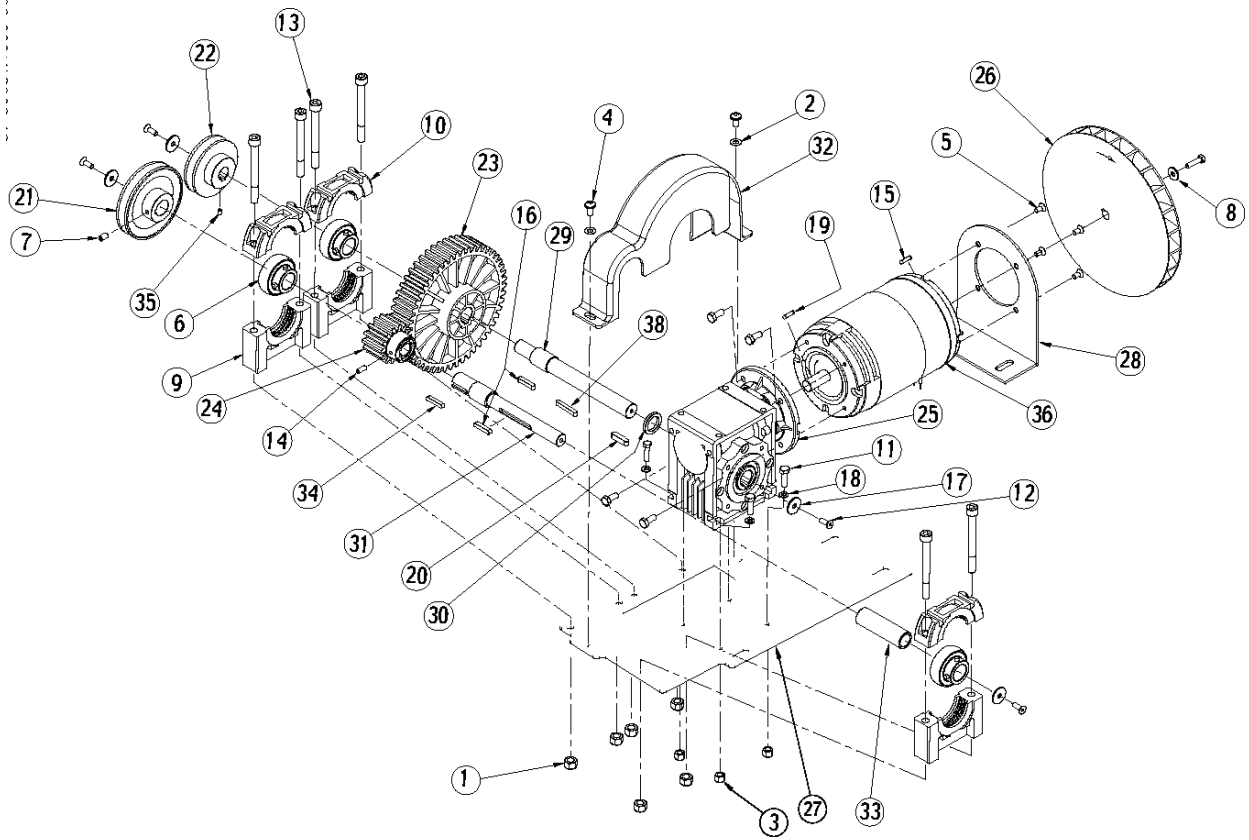
[1] - STOCK COVERS GUARANTEE



Pos.	Vare-nr	Antal	Beskrivelse	Notes
0	146 0813 000	1	TENSIONER BELT KIT	[1]
1	33005843	1	WASHER M10 UNI1751B	
2	145 5742 000	1	SCREW M10X20 CAP HD HEX SOCK ISO4762	
3	145 9186 000	1	Kullager	[1]
4	33006156	1	RING D 26 UNI7437	[2]
5	L08300000	1	Skive 8X24X2 FLAT ISO7093	
6	146 0547 000	1	ARM BELT TENSIONER GALV.	[1]
7	146 0548 000	1	SPACER D.10.1X16 H.4 PHOS.	[2]
8	146 0549 000	1	Leje Til Flange	
9	146 0583 000	1	ROLLER BELT TENSIONER PHOS.	[1]
10	33023574	1	NUT LOCK HEX M8 ISO10511 PCS 10 SET	
11	33003998	1	Screw Te 8X40	[2]
12	146 0550 000	1	BUSHING GALV. F TRACTION BELT TENSIONER	[2]

Part Notes:

- [1] - STOCK COVERS GUARANTEE
- [2] - GUARANTEE DATE EXPIRED

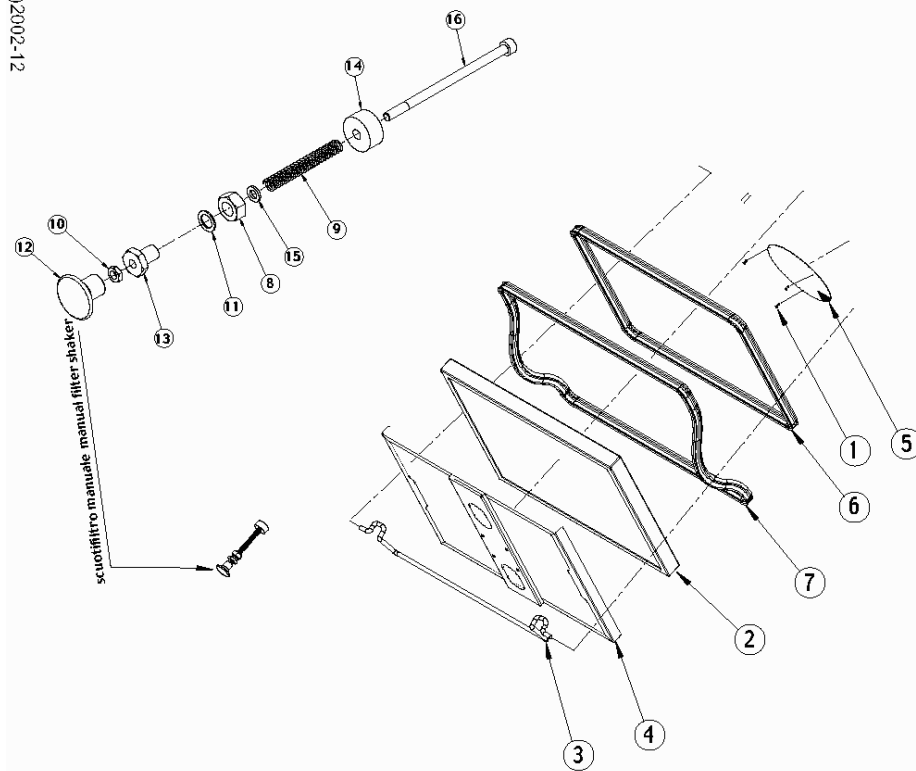


Pos.	Vare-nr	Antal	Beskrivelse	Notes
1	33023574	1	NUT LOCK HEX M8 ISO10511 PCS 10 SET	
2	33023208	2	WASHER M8 UNI6592 10 PCS SET	
3	33023194	3	NUT LOCK HEX M5 LOW ISO10511 10 PCS SET	
4	L08603706	2	SCREW M6X12 PAN HD PHIL ISO7045	[1]
5	33004574	4	SCREW M6X12 C/SUNK FLAT HD HEX ISO10642	
6	145 1123 000	3	Kullager, Aw 400-Serien	
7	1467678000	1	SCREW GRUB M6X10 CUP POINT 2 PCS SET	
8	1467686000	1	WASHER PLAIN M5X15 ISO7093 10 PCS SET	
9	145 1976 000	3	Lejepande Aw	
10	145 1977 000	3	Support	
11	33003963	4	SCREW M5X20 HEX HD F/THD ISO4017	
12	33004562	4	SCREW M5X14 C/SUNK FLAT HD HEX ISO10642	[1]
13	145 5741 000	6	SCREW M8X80 CAP HD HEX SOCK ISO4762	
14	145 5913 000	1	Skrue	[1]
15	146 1489 000	1	Key 4X4X15 Uni6604A	
16	1466146000	2	KEY 5X5X25 UNI6604A PKD	
17	1466332000	1	WASHER 6X24X2 UNI6593 10 PCS SET	
18	33023195	3	WASHER PLAIN M5 ISO7089 10 PCS SET	
19	1466147000	1	KEY 5X5X20 UNI6604A PKD	
20	145 9899 000	1	KEY 6X6X25 UNI6604A	
21	146 0514 000	1	PULLEY ALU SPZ DP.85	[1]
22	146 0516 000	1	PULLEY ALU SPZ PD.65	[1]
23	1466521000	1	GEAR SPUR PLASTIC 150P 50T PKD	
24	1466522000	1	GEAR SPUR PLASTIC 42P 14T PKD	
25	1463248000	1	Reduction Gear Complete	[1]
26	146 0537 000	1	Blæserhjul	
27	146 0538 000	1	PLATE SUPPORTING	[1]
28	146 0539 000	1	BRACKET	[1]
29	146 0540 000	1	SHAFT TRANSMISSION	
30	146 0541 000	1	SPACER D.18X26 H.4.2 PHOS.	[1]
31	146 0542 000	1	SHAFT MAIN BROOM	[1]
32	146 0605 000	1	COVER	
33	146 0616 000	1	SPACER D.15X20 H.67.2 PHOS.	[1]
34	146 0619 000	1	KEY 3/16X3/16X1	[1]
35	146 0621 000	1	Z-Skrue	[1]
36	1467529000	1	MOTOR ELECTRIC 600W 12V SIP	[2]
37	1464433000	1	Brush Carbon Kit 4Pcs	
38	146 0769 000	1	KEY 6X6X40 UNI6604A	

Part Notes:

- [1] - STOCK COVERS GUARANTEE
 [2] - GUARANTEE DATE EXPIRED

86 000(1)2002-12



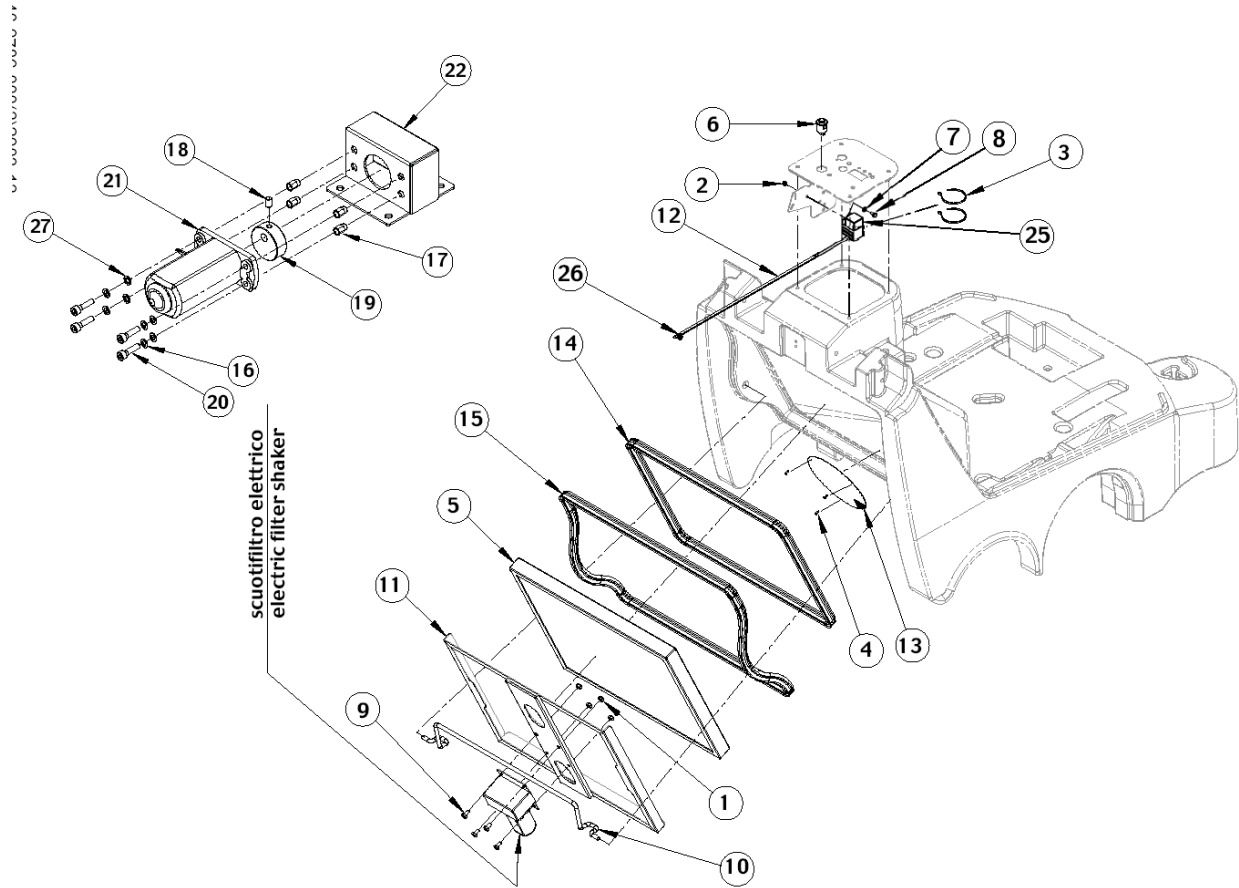
Resource notes:

146 0634 000

Pos.	Vare-nr	Antal	Beskrivelse	Notes
0	146 2670 000	1	Elektrisk filterryster (kun B-modeller)	[1]
1	146 0669 000	3	SCREW 4X12 PAN PHIL W/O BIT F PLASTIC	[2]
2	145 4746 000	1	Filter, polyester	
2	145 4806 000	1	Filter, papir	
2	146 0368 000	1	Filter, polyester, antistatisk	
3	146 0573 000	1	HOOK FILTER	[3]
4	146 0574 000	1	FRAME FILTER	[3]
5	146 0607 000	1	PROTECTION FAN	[3]
6	146 0629 000	1	Pakning, Skidtvands Tank Br 651	
7	146 0741 000	1	Pakning	
8	33005505	1	NUT HEX M10 MEDIUM ISO4032	
9	145 1935 000	1	Filter Shaker Spring	
10	33023183	1	NUT HEX M6 LOW ISO4035 10 PCS SET	[3]
11	33005869	1	WASHER M10 UNI8842A	[3]
12	145 4802 000	1	Knob	[3]
13	145 4928 000	1	BUSHING FILTER SHAKER	[3]
14	145 5020 000	1	MASS FILTER SHAKER	[3]
15	33023396	1	WASHER PLAIN M6X12 ISO7089 10 PCS SET	
16	146 0636 000	1	Skrue M6X110 cap hd hex sock ISO4762	[3]

Part Notes:

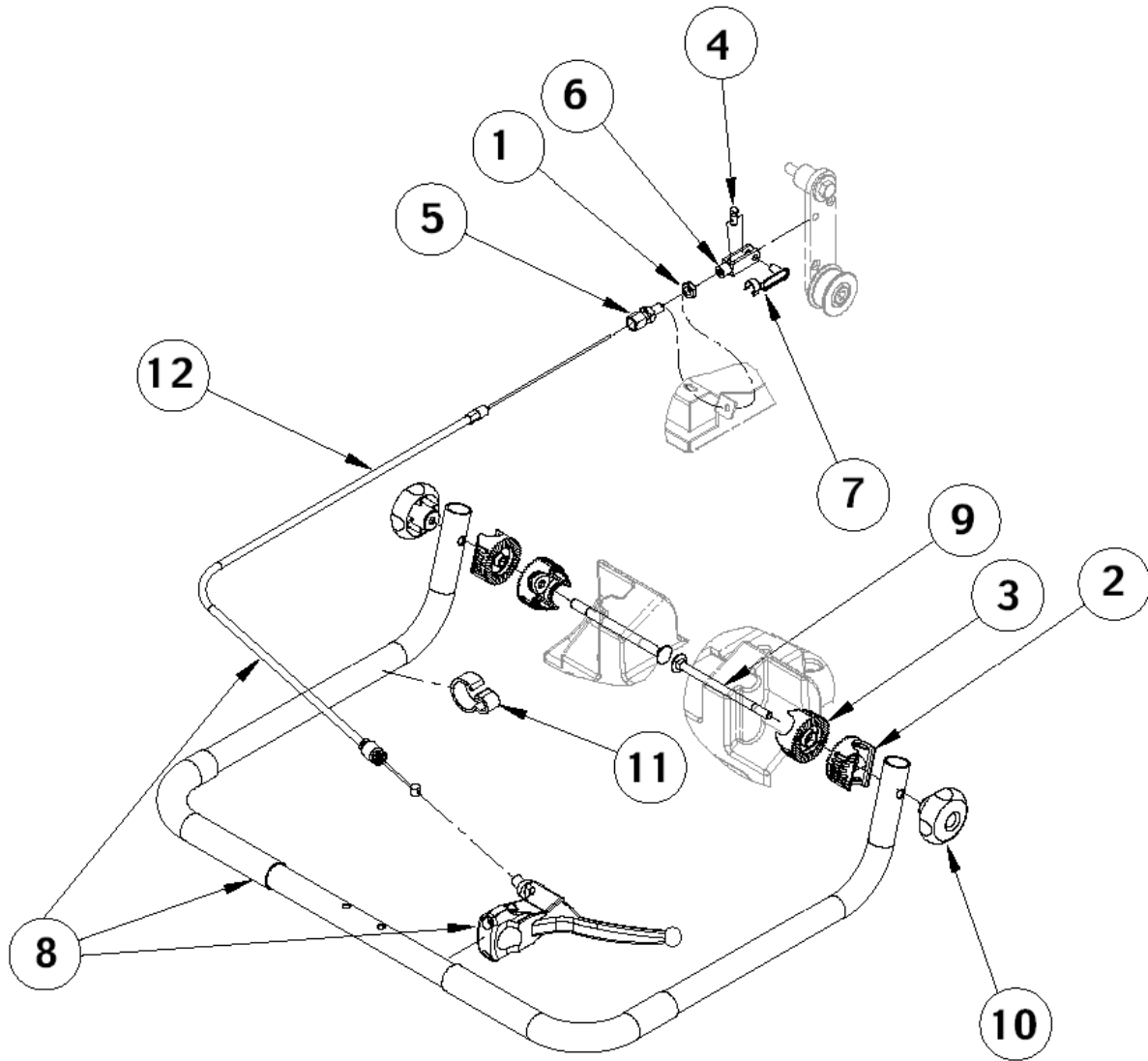
- [1] - PRUNED ACCESSORY
- [2] - ITEM NO LONGER AVAILABLE
- [3] - STOCK COVERS GUARANTEE



Pos.	Vare-nr	Antal	Beskrivelse	Notes
1	33005604	4	Self-Locking Nut M6	
2	33023194	1	NUT LOCK HEX M5 LOW ISO10511 10 PCS SET	
3	145 1241 000	2	TIE CABLE 2.9x130 BLACK	
4	146 0669 000	3	SCREW 4X12 PAN PHIL W/O BIT F PLASTIC	[1]
5	145 4806 000	1	Filter, papir	
5	145 4746 000	1	Filter, polyester	
5	146 0368 000	1	Filter, polyester, antistatisk	
6	145 8885 000	1	Afbryderknap Sw700/850	[2]
7	33023195	1	WASHER PLAIN M5 ISO7089 10 PCS SET	
8	33023193	1	SCREW M5X12 HEX HD ISO4017 10 PCS SET	
9	33003972	4	Skruer M6X12 UNI5739	
10	146 0573 000	1	HOOK FILTER	[2]
11	146 0574 000	1	FRAME FILTER	[2]
12	146 0580 000	1	HARNES FILTER SHAKER	[2]
13	146 0607 000	1	PROTECTION FAN	[2]
14	146 0629 000	1	Pakning, Skidtvands Tank Br 651	
15	146 0741 000	1	Pakning	
16	33005839	4	WASHER M5 UNI1751B	[2]
17	145 4771 000	4	HEX INSERT M5	[2]
18	145 5913 000	1	Skruer	[2]
19	1466857000	1	CAM F FILTER SHAKER KIT	
20	33004329	4	SCREW M5X20 UNI5931	[3]
21	146 0527 000	1	Motor Til Filterryster Sw700-850	
22	1466335000	1	BRACKET FILTER SHAKER SIP	
23	145 9853 000	1	Sikring 15 A, Sw700S	
24	1467035000	1	HOLDER FUSE THERMOPL.UL 94-V0 SIP	
25	145 9377 000	1	RELAY 12V	[2]
26	146 0661 000	1	GROMMET	
27	33023195	4	WASHER PLAIN M5 ISO7089 10 PCS SET	

Part Notes:

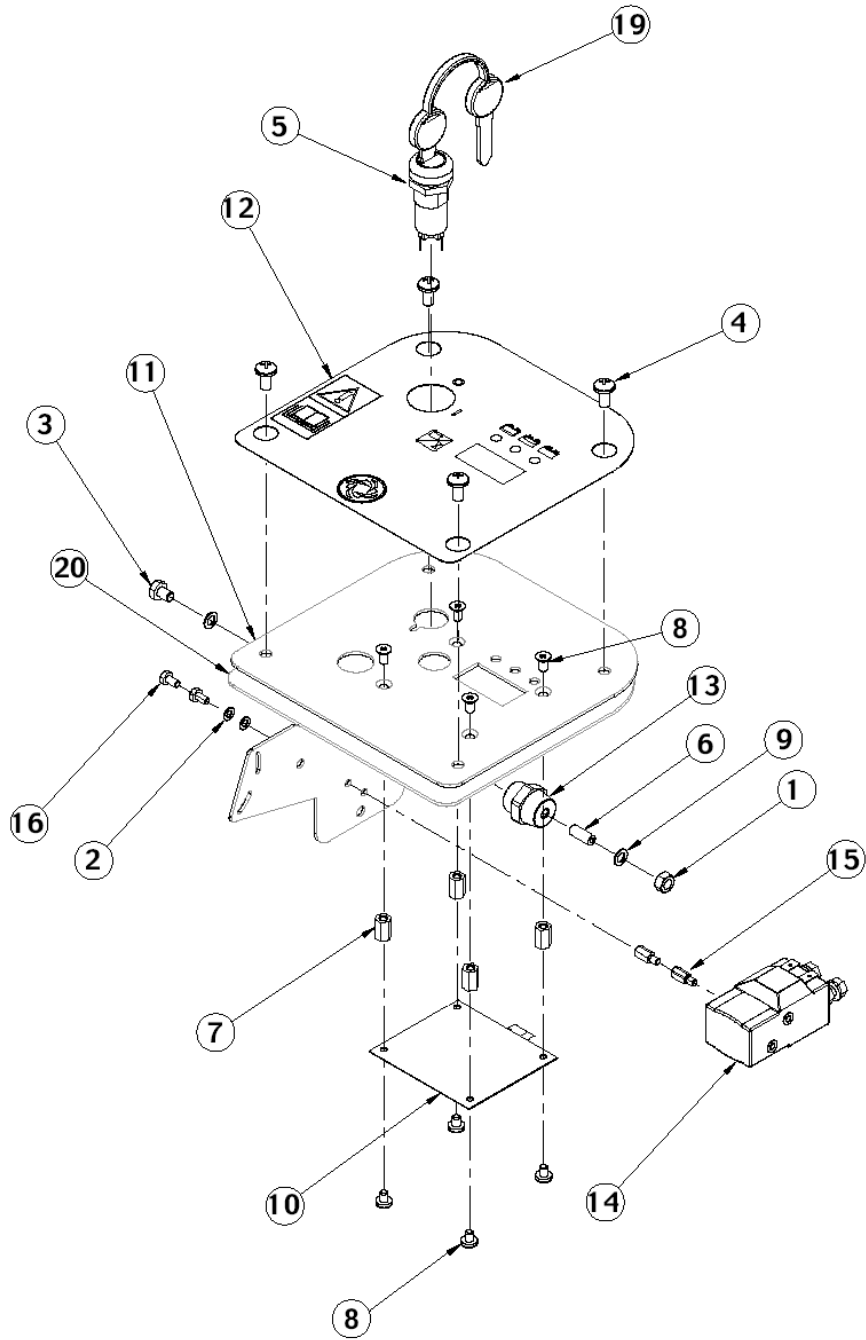
- [1] - ITEM NO LONGER AVAILABLE
- [2] - STOCK COVERS GUARANTEE
- [3] - GUARANTEE DATE EXPIRED



Pos.	Vare-nr	Antal	Beskrivelse	Notes
1	33005533	1	Nut M8	
2	56264118	2	Justeringshåndtag	
3	56264123	2	Justeringshåndtag	
4	145 8110 000	1	Klæmma	[1]
5	145 9283 000	1	Wirejustering	[1]
6	1467516000	1	CLEVIS M6X24 GALV. DIN71752 SIP	
7	145 9410 000	1	CIRCLIP M6	
8	146 1174 000	1	HANDLE COMPLETE	[1]
9	146 0778 000	2	SCREW M8X130 CARR. SQUARE NECK ISO8677	[1]
10	146 1852 000	2	Knob M8	
11	146 0763 000	1	HOLDER CABLE PLASTIC	[1]
12	146 1172 000	1	Kabel , Køre Sw 850 S E. Sn 031804462	
12	146 0736 000	1	Kabel, Køre Sw 850 S F. Sn 031804462	[2]

Part Notes:

- [1] - STOCK COVERS GUARANTEE
 [2] - GUARANTEE DATE EXPIRED

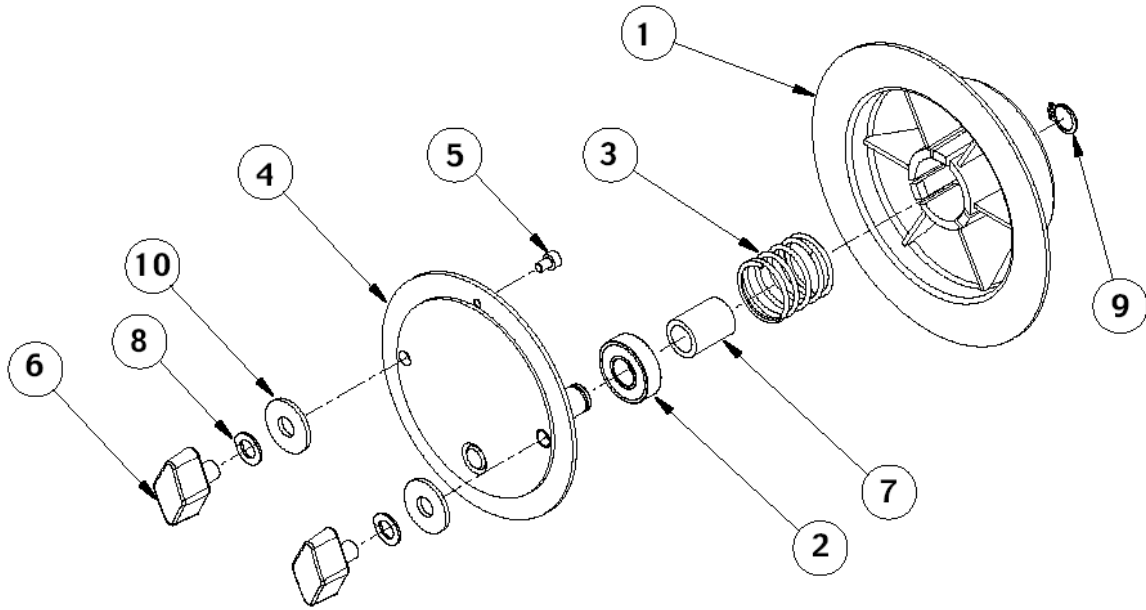


Pos.	Vare-nr	Antal	Beskrivelse	Notes
1	33005502	1	Møtrik M6	
2	33005862	2	WASHER SERR. EXT. M4 DIN6798-A	
3	146 1453 000	1	SCREW M6X10 HEX HD F/THD ISO4017	
4	L08603706	4	SCREW M6X12 PAN HD PHIL ISO7045	[1]
5	9100001354	1	SWITCH KEY WITH CAP PKD	
6	146 1678 000	1	SCREW GRUB M6X30 CUP POINT ISO4029	
7	146 0657 000	4	SPACER HEX M4 L. 11 FEMALE PLAST.	[1]
8	146 0658 000	4	SCREW M4X8 C/SUNK FLAT HD PHIL ISO7046	[1]
9	33005851	2	Skive M6 Uni1751B	
10	1466166000	1	CARD ELECTRONIC SIP	[1]
11	146 0576 000	1	PANEL CONTROL	[1]
12	146 0584 000	1	Plade, Kontrol Panel Sw700/850	[1]
13	146 0708 000	1	INSULATOR M6 WHITE	
14	146 0626 000	1	Electromagnetic Switch	[1]
15	146 0627 000	2	SPACER HEX M4 L. 10 BRASS	
16	146 0632 000	2	SCREW M4X8 HEX HD F/THD ISO4017	[1]
17	L08812094	4	SCREW M4X5 PAN HD PHIL ISO7045	[1]
19	146 2887 000	1	Nøgle (2 Pcs) Ba510Sd	
20	146 0697 000	1	GASKET ADHESIVE F CONTR. PANEL	

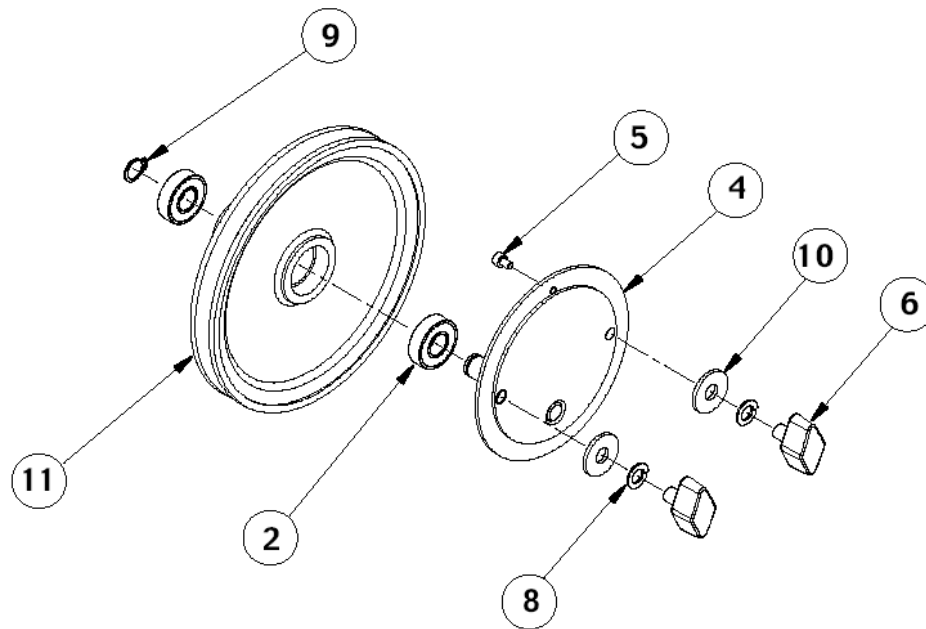
Part Notes:

[1] - STOCK COVERS GUARANTEE

12 Left hub assembly Kit



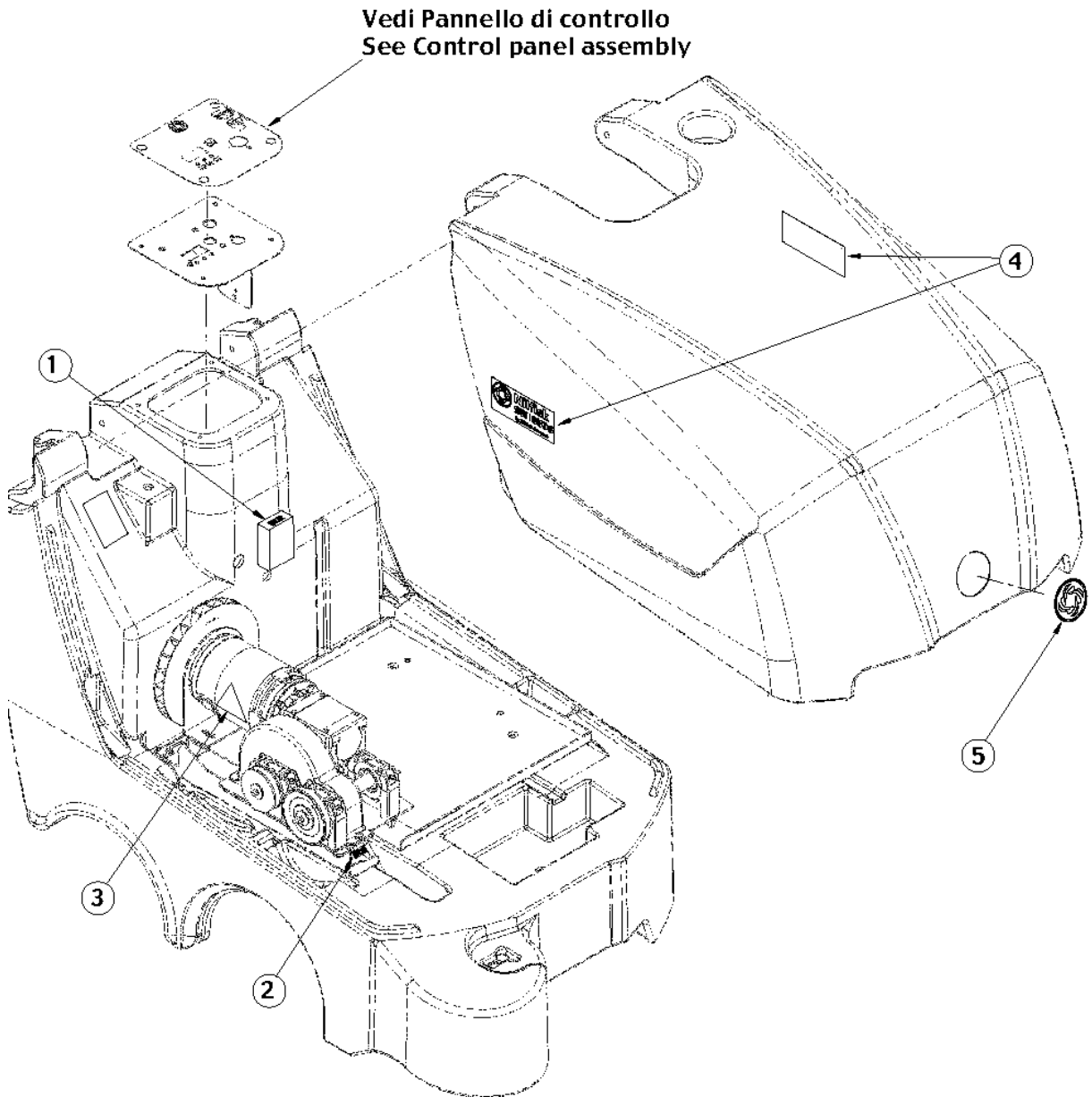
13 Right hub assembly Kit



Pos.	Vare-nr	Antal	Beskrivelse	Notes
1	1467023000	1	HUB LEFT MAIN BROOM PKD	
2	44905699	3	BEARING BALL 6001 2RS PKD	
3	1467024000	1	SPRING PKD	
4	145 0272 000	2	Stift	[1]
5	33004305	2	Skruer M4X6 UNI5931	
6	145 1211 000	4	Knob M 8X 12	
7	145 2663 000	1	Spacer D.12Xd.17X22,5	
8	33023223	4	WASHER SPRING LOCK M8 DIN127B 10 PCS SET	
9	33006051	2	Ring D 12 UNI7435	
10	L08300000	4	Skive 8X24X2 FLAT ISO7093	
11	145 2617 000	1	Remskive	

Part Notes:

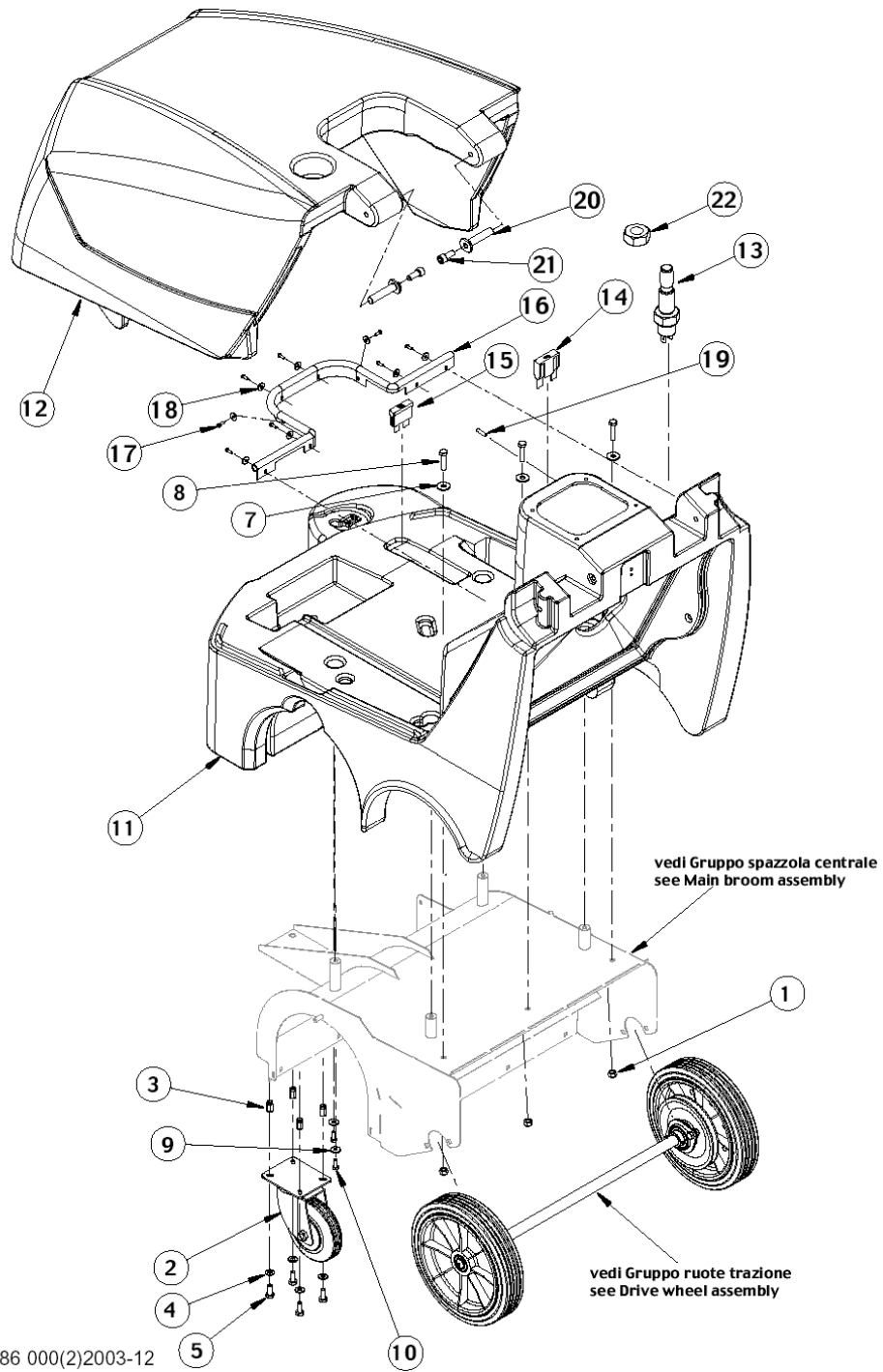
[1] - STOCK COVERS GUARANTEE



Pos.	Vare-nr	Antal	Beskrivelse	Notes
1	145 0578 000	1	Mærkat For Sikring 60 A	[1]
2	145 1355 000	1	DECAL FUSE 15A	[1]
3	145 1431 000	1	DECAL DANGER MOVING PARTS	[2]
4	1463785000	2	DECAL NILFISK SW850S	[1]
5	L08812933	1	DECAL LOGO NILFISK D.85	[1]

Part Notes:

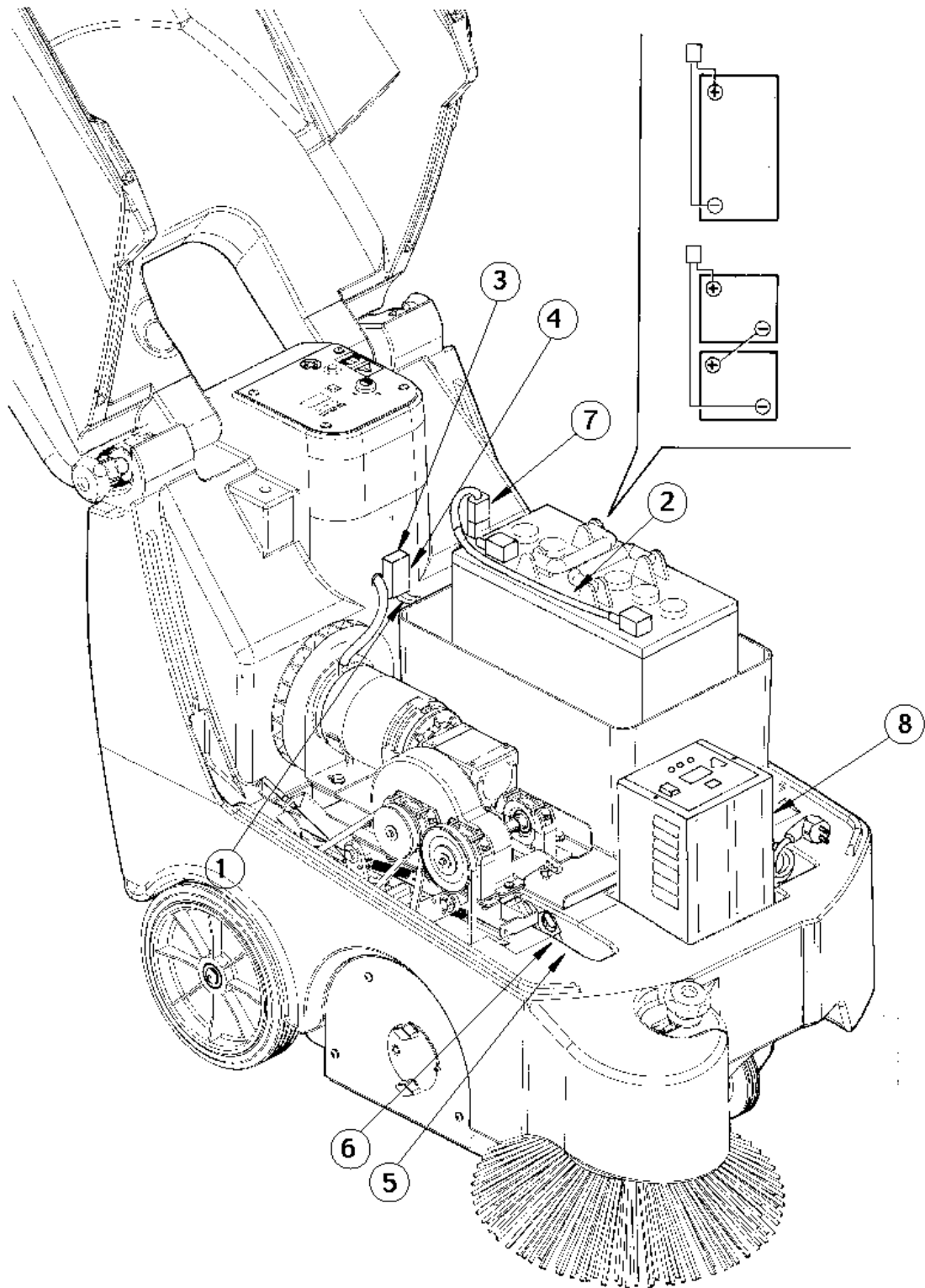
- [1] - STOCK COVERS GUARANTEE
- [2] - GUARANTEE DATE EXPIRED



Pos.	Vare-nr	Antal	Beskrivelse	Notes
1	33023574	1	NUT LOCK HEX M8 ISO10511 PCS 10 SET	
2	146 0569 000	1	Hjul med bremse	[1]
2	145 5115 000	1	Wheel	
3	145 6133 000	4	INSERT M8	[2]
4	33023208	4	WASHER M8 UNI6592 10 PCS SET	
5	33005444	4	SCREW M8X20 HEX HD F/THD ISO4017	
7	L08300000	3	Skive 8X24X2 FLAT ISO7093	
8	33003997	3	SCREW M8X35 HEX HD F/THD ISO4017	
9	1466530000	2	WASHER PLAIN M6X18 ISO7093 10 PCS SET	
10	33023255	2	SCREW M6X16 HEX ISO4017 10 PCS SET	
11	146 0726 000	1	CHASSIS ROTOMOLDED	[2]
12	146 0727 000	1	HOOD ROTOMOLDED.BATTERY	[2]
13	146 0565 000	1	Push Switch F/Sw700S	
14	909 6218 000	1	Sikring, 60 A	
15	145 9853 000	1	Sikring 15 A, Sw700S	
16	146 0733 000	1	GASKET BONNET L.815MM	[2]
17	146 0669 000	8	SCREW 4X12 PAN PHIL W/O BIT F PLASTIC	[3]
18	1467686000	8	WASHER PLAIN M5X15 ISO7093 10 PCS SET	
19	145 4260 000	1	PLUG DOME PLASTIC BLACK D.14.7	[2]
20	146 0774 000	2	SPACER GALV. F HOOD	[2]
21	33004387	2	SCREW M10X25 UNI5931	
22	146 0637 000	1	NUT HEX M14 LOW ISO4035	

Part Notes:

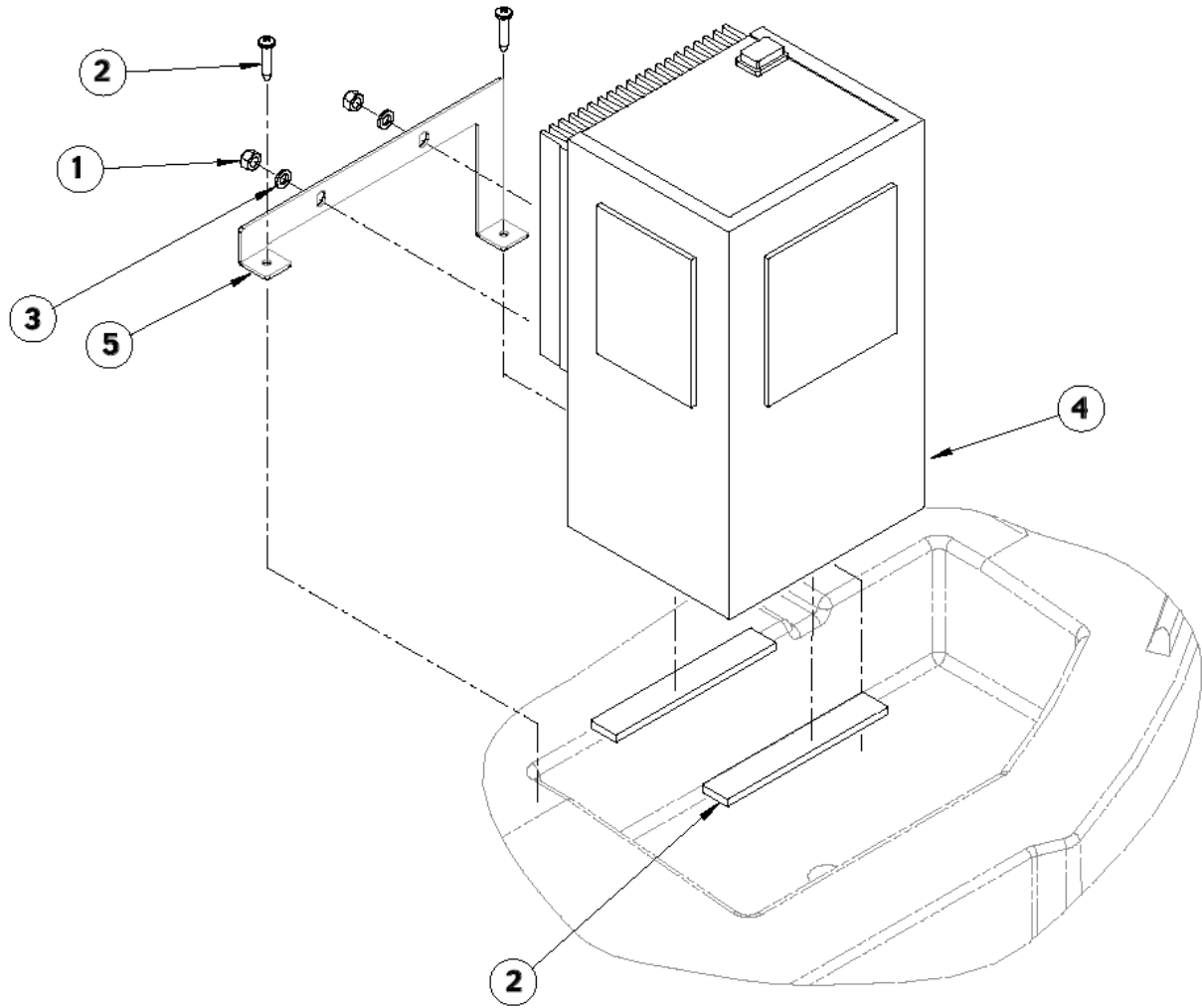
- [1] - PRUNED ACCESSORY
- [2] - STOCK COVERS GUARANTEE
- [3] - ITEM NO LONGER AVAILABLE



Pos.	Vare-nr	Antal	Beskrivelse	Notes
1	146 0579 000	1	Harness Machine Sw700Sb	[1]
2	146 0581 000	1	HARNESS BATTERY SW 700S B	[1]
3	146 0659 000	1	HOLDER MAXIFUSE	
4	909 6218 000	1	Sikring, 60 A	
5	1467035000	1	HOLDER FUSE THERMOPL.UL 94-V0 SIP	
6	145 9853 000	1	Sikring 15 A, Sw700S	
7	145 9417 000	1	CONNECTOR 50A GREY	[1]
8	146 0635 000	1	Batteri-lader til indbygning	[2]

Part Notes:

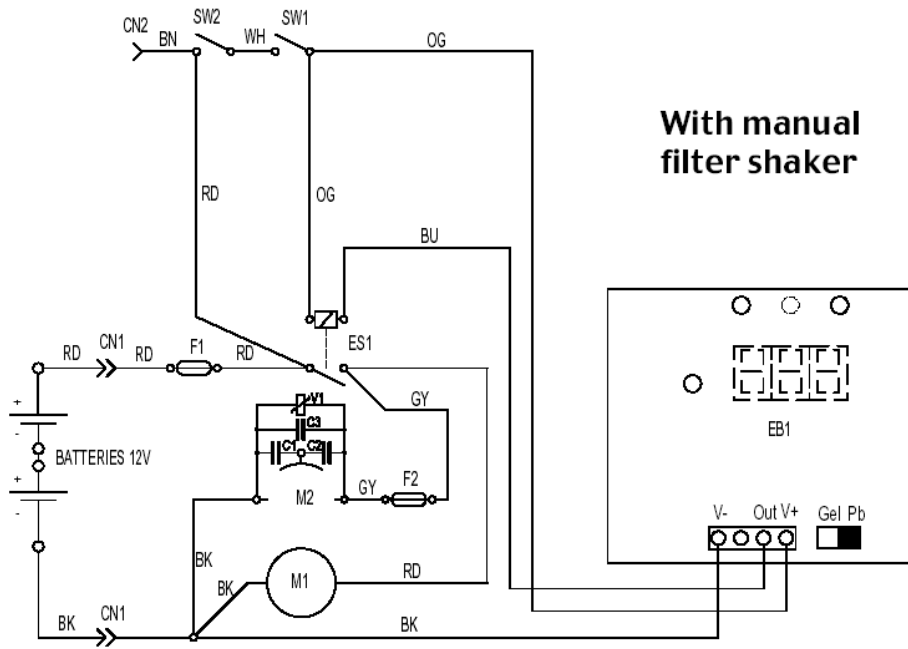
- [1] - STOCK COVERS GUARANTEE
- [2] - PRUNED ACCESSORY



Pos.	Vare-nr	Antal	Beskrivelse	Notes
1	33005604	1	Self-Locking Nut M6	
2	145 5876 000	1	SCREW 4.8X25 SELF PAN HD PHIL ISO7049	[1]
3	33023396	1	WASHER PLAIN M6X12 ISO7089 10 PCS SET	
4	146 2359 000	1	Indbygget oplader 12V 20A	[1]
5	146 0655 000	1	BRACKET	[1]
6	146 0656 000	1	GASKET ADHESIVE 20X5 L.125MM	[1]

Part Notes:

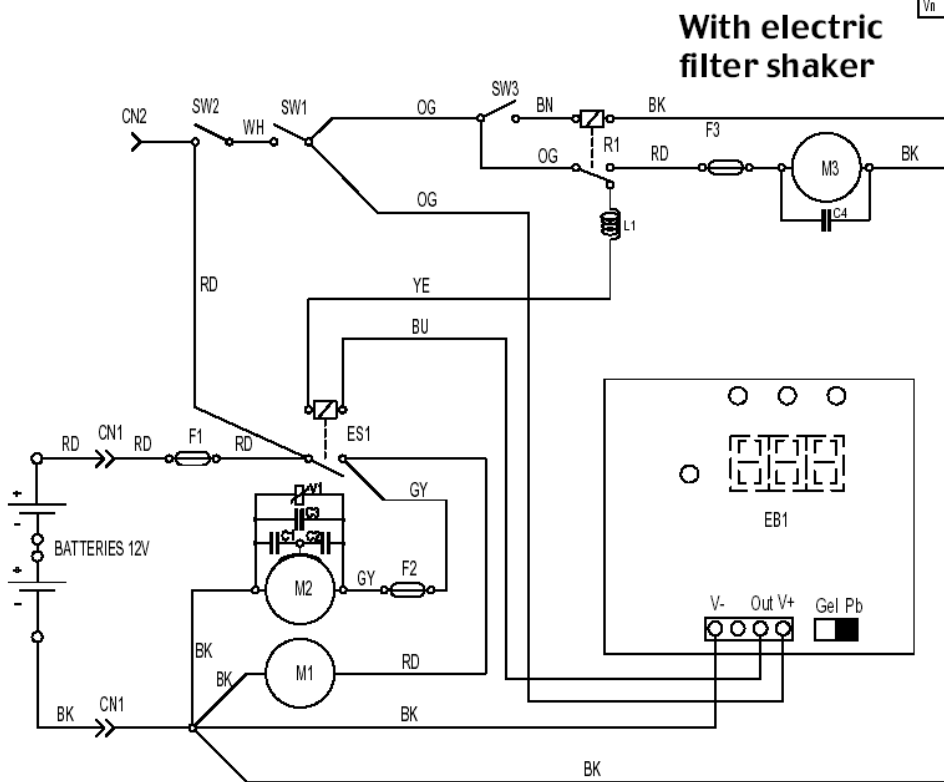
[1] - STOCK COVERS GUARANTEE



With manual filter shaker

COMPONENTS	
CH1	BATTERY CHARGER
CN1	BATTERY CONNECTOR
CN2	CHARGER CONNECTOR
EB1	ELECTRONIC BOARD
ES1	ELECTROMAGNETIC SWITCH
F-1	MAIN FUSE (60A)
F2	EXT BRUSH FUSE (15A)
F3	SHAKER FUSE (15A)
M1	MAIN BRUSH MOTOR
M2	EXT BRUSH MOTOR
M3	SHAKER MOTOR
R1	SHAKER RELAIS
SW1	KEY SWITCH
SW2	SECURITY COVER SWITCH
SW3	SHAKER SWITCH

EMC FILTER COMPONENTS	
Cn	CAPACITIVE FILTERS
Ln	INDUCTIVE FILTERS
Vn	VARISTORS



With electric filter shaker

COLORS CODES		
BK	BLACK	nero
BU	BLUE	azzurro
BN	BROWN	marrone
GN	GREEN	verde
GY	GREY	grigio
OG	ORANGE	arancio
PK	PINK	rosa
RD	RED	rosso
VT	VIOLET	viola
WH	WHITE	bianco
YE	YELLOW	giallo

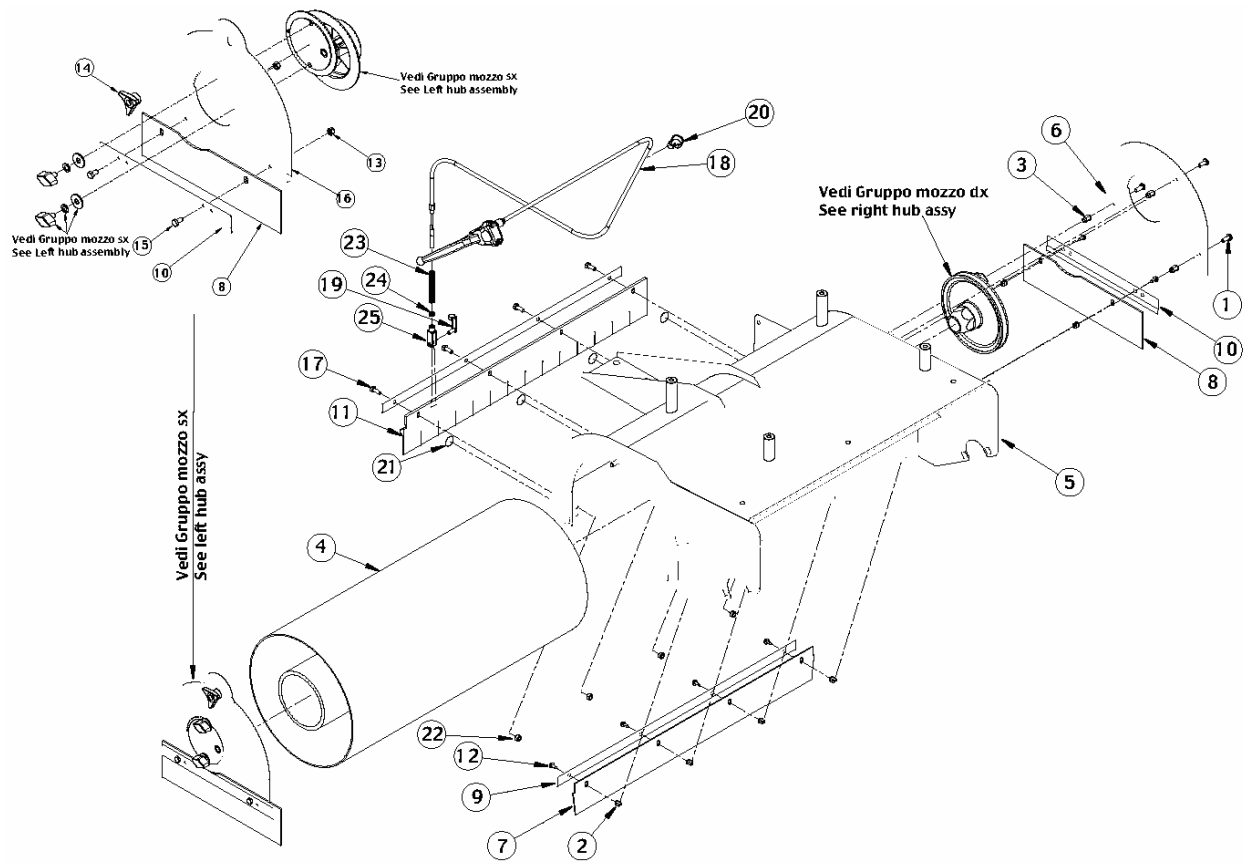
Pos.	Vare-nr	Antal	Beskrivelse	Notes
------	---------	-------	-------------	-------

Pos Item Bild Rép	Codice Ref. No. Art. Nr. Réf. No	Quantità Qty Menge Qté	Descrizione	Description
MATERIALE DI USURA / WEAR PARTS				
1	145 4806 000	1	Filtro	Filter paper
2	146 0756 000	1	Flap anteriore standard	Front skirt std
3	146 0555 000	2	Flap laterale dx-sx	Side skirt left/ right
4	146 0748 000	1	Spazzola centrale std ø 265 PPL (ø setole 0,7 mm)	Main broom std ø 265 mm PPL (ø of bristles 0,7 mm)
5	146 0571 000	1	Fusibile 60A	Fuse 60A
6	145 9853 000	1	Fusibile 15A	Fuse 15A
7	145 1899 000	1	Spazzola laterale PPL (ø setole 0,8 mm)	Side broom PPL (ø of bristles 0,8 mm)
8	146 0738 000	1	Flap posteriore standard	Rear skirt std
MANUTENZIONE ORDINARIA / ORDINARY MAINTENANCE				
8	145 0274 000	2	Molla tendicinghia	Belt tension spring
9	146 0150 00	1	Cinghia spazzola centrale	Main broom belt
10	146 0767 000	1	Cinghia trazione	Drive belt
11	146 0519 000	1	Mozzo spazzola laterale	Side broom hub
12	145 5042 000	4	Spazzole motore elettrico di comando	Electric drive motor carbon brushes
MANUTENZIONE STRAORDINARIA / EXTRAORDINARY MAINTENANCE				
13	146 0513 000	1	Ruota posteriore destra	Rear wheel right
14	146 0518 000	1	Ruota posteriore sinistra	Rear wheel left
15	146 0755 000	1	Cavo alzaflap con leva	Skirt lifting cable w/lever
16	146 0532 000	1	Motoriduttore spazzola laterale	Side broom motor gear box
17	146 0626 000	1	Teleruttore	Solenoid contactor
18	146 0570 000	1	Scheda elettronica display	Electronic board display
19	146 0565 000	1	Microinterruttore cofano	Hood switch
20	145 0270 000	3	Cuscinetto spazzola centrale	Ball bearing main broom
21	145 1123 000	3	Cuscinetto gruppo trasmissione	Ball bearing transmission
22	145 9186 000	2	Cuscinetto per tendicinghia	Ball bearing belt tensioner
23	146 0629 000	1	Guarnizione filtro	Filter gasket
24	146 0741 000	1	Guarnizione cassetto rifiuti	Hopper gasket
25	146 0806 000	1	Chiavi di ricambio 2 pz. (per 145 0372 000)	Keys 2 pcs. (for 145 0372 000)
26	146 0736 000	1	Cavo trazione (prima della matricola 031804462)	Cable traction (before serial number 031804462)
26	146 1172 000	1	Cavo trazione (dopo la matricola 031804462)	Cable traction (after serial number 031804462)
ACCESSORI / OPTIONS				
27	146 0738 000	1	Flap anteriore più rigido	Skirt front stiffer type
28	146 0756 000	1	Flap posteriore morbido	Skirt rear soft
29	146 0742 000	1	Flap anteriore antitraccia	Skirt front non marking
30	146 0743 000	1	Flap posteriore antitraccia	Skirt rear non marking
31	146 0587 000	1	Flap laterale dx/ sx antitraccia	Skirt side right / left non marking
32	146 0569 000	1	Ruota pivoettante con freno	Locking front castor wheel
33	146 0368 000	1	Filtro in poliestere antistatico	Polyester filter - antistatic
34	145 4746 000	1	Filtro in poliestere BIA C approvato	Polyester filter - BIA C approved
35	146 0782 000	1	Pre-filtro	Pre-filter
36	146 0750 000	1	Spazzola centrale ø265x500 misto acciaio	Main broom ø265x500 steel mix
37	146 0749 000	1	Spazzola centrale ø265x500 saggina	Main broom ø265x500 natural fibre
38	145 4959 000	1	Spazzola laterale ø180x420 misto acciaio	Side broom ø180x420 steel mix
39	145 4976 000	1	Spazzola laterale ø180x420 saggina	Side broom ø180x420 natural fibre
40	146 0678 000	1	Spazzola laterale ø180x347 nylon	Side broom ø180x347 nylon
41	146 0634 000	1	Kit scuotifiltro elettrico	Electric filter shaker kit
42	146 0635 000	1	Kit caricabatteria a bordo	Battery charger on board kit
43	146 0569 000	1	Ruota pivoettante con freno	Wheel castor with brake

Pos.	Vare-nr	Antal	Beskrivelse	Notes
1	145 4806 000	1	Filter, papir	
2	146 0756 000	1	Skirt Front Soft	
3	146 0555 000	2	Skørt,Side H/V Sw700S F/ Sw 700S	
4	146 0748 000	1	Fejevalse standard	
5	909 6218 000	1	Sikring, 60 A	
6	145 9853 000	1	Sikring 15 A, Sw700S	
7	145 1899 000	1	Sidekost standard	
8	146 0738 000	1	Skørt Front Sw700-850	
8	145 0274 000	2	Fjeder	
9	146 0150 00	1	Belt	
10	1467726000	1	BELT V COGGED XPZ 1162 SIP	
11	146 0519 000	1	Nav F. Sidebørste	
12	1464433000	4	Brush Carbon Kit 4Pcs	
13	1466321000	1	WHEEL CPL D.250 RT GREY/BLACK PKD	
14	1466320000	1	WHEEL CPL D.250 LT GREY/BLACK PKD	
15	146 0755 000	1	Kabel. Flap Sw700/850Sb	[1]
16	146 0532 000	1	Reduction Gearmotor	
17	146 0626 000	1	Electromagnetic Switch	[1]
18	1466166000	1	CARD ELECTRONIC SIP	[1]
19	146 0565 000	1	Push Switch F/Sw700S	
20	44905699	3	BEARING BALL 6001 2RS PKD	
21	145 1123 000	3	Kullager, Aw 400-Serien	
22	145 9186 000	2	Kullager	[1]
23	146 0629 000	1	Pakning, Skidtvands Tank Br 651	
24	146 0741 000	1	Pakning	
25	146 2887 000	1	Nøgle (2 Pcs) Ba510Sd	
26	146 0736 000	1	Kabel, Køre Sw 850 S F. Sn 031804462	[2]
26	146 1172 000	1	Kabel , Køre Sw 850 S E.Sn 031804462	
27	146 0738 000	1	Skørt Front Sw700-850	
28	146 0756 000	1	Skirt Front Soft	
30	146 0743 000	1	Sværtéfrit skørt, bag	
31	146 0587 000	1	Sværtéfrit skørt, side	
32	146 0569 000	1	Hjul med bremse	[3]
33	146 0368 000	1	Filter, polyester, antistatisk	
34	145 4746 000	1	Filter, polyester	
35	146 0782 000	1	Før-filter	
36	146 0750 000	1	Fejevalse stålmix	
37	146 0749 000	1	Fejevalse natur 600 mm Ø265	[4]
38	145 4959 000	1	Sidekost stålmix	
39	145 4976 000	1	Sidekost til tæpper/naturfiber	
40	146 0678 000	1	Sidekost nylon 180 x 347	
41	146 2670 000	1	Elektrisk filterryster (kun B-modeller)	[3]
42	146 0635 000	1	Batteri-lader til indbygning	[3]
43	146 0569 000	1	Hjul med bremse	[3]

Part Notes:

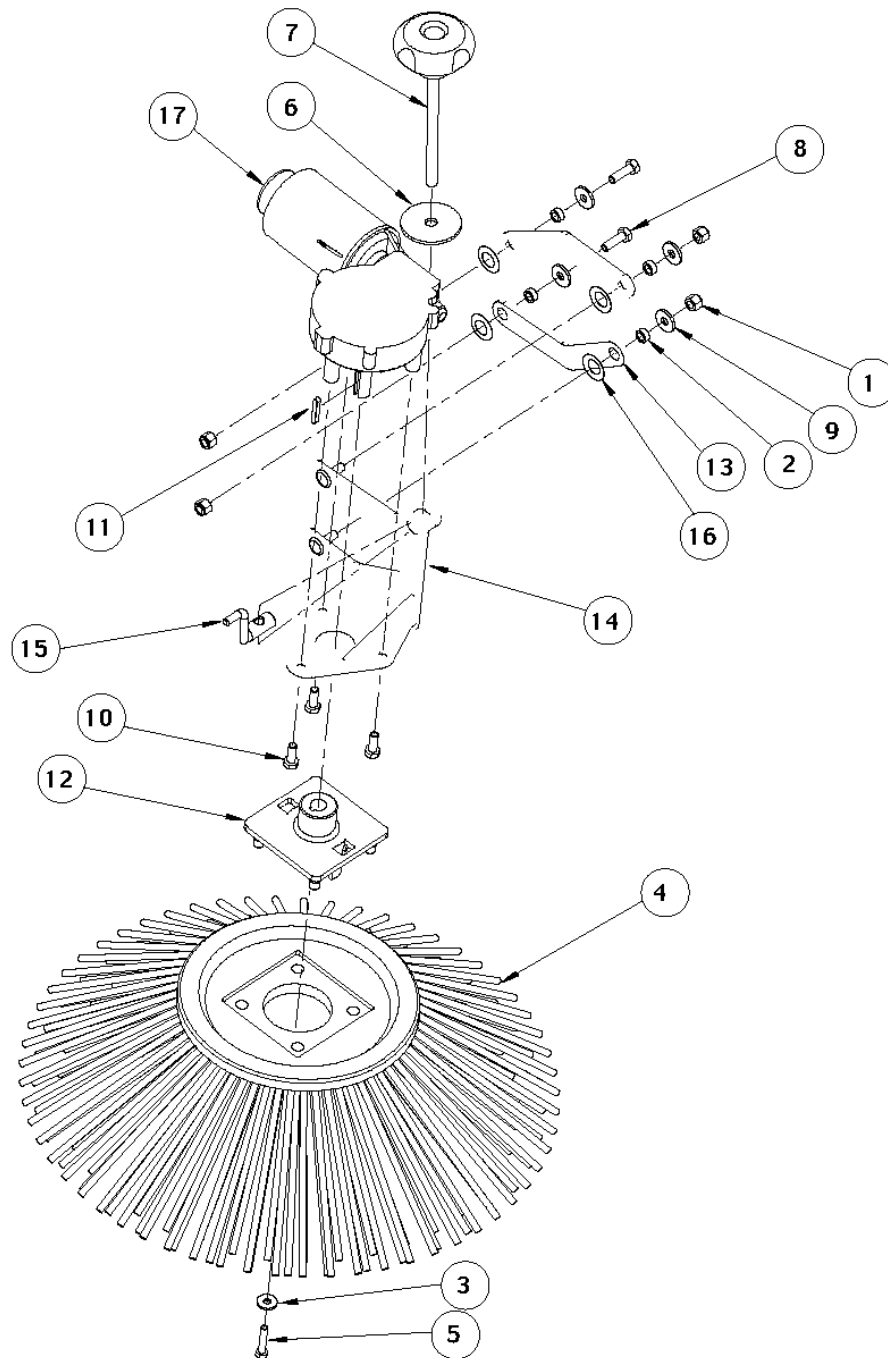
- [1] - STOCK COVERS GUARANTEE
- [2] - GUARANTEE DATE EXPIRED
- [3] - PRUNED ACCESSORY
- [4] - PI 2015-001 TTY



Pos.	Vare-nr	Antal	Beskrivelse	Notes
1	L08812095	3	Skrue M6X16 UNI7687	[1]
2	145 4652 000	6	Møtrik	[2]
3	145 4772 000	3	Insert M6	
4	146 0750 000	1	Fejevalse stål mix	
4	146 0749 000	1	Fejevalse natur 600 mm Ø265	[3]
4	146 0748 000	1	Fejevalse standard	
5	146 0729 000	1	SUPPORT.MAIN BROOM	[4]
6	146 2137 000	1	HATCH RT CLOSING MAIN BROOM SPACE GREY	
7	146 0738 000	1	Skørt Front Sw700-850	
8	146 0587 000	2	Sværtefrit skørt, side	
8	146 0555 000	2	Skørt, Side H/V Sw700S F/ Sw 700S	
9	146 0739 000	2	PLATE FRONT SKIRT MET. GREY	
10	146 0557 000	2	PLATE SIDE SKIRT MET. GREY	
11	146 0743 000	1	Sværtefrit skørt, bag	
11	146 0756 000	1	Skirt Front Soft	
12	145 5867 000	6	SCREW 3.9X13 SELF HEX HD FLANG DIN6928	
13	L08603682	2	Hex Nut Selflocking Ss M 6	
14	145 5035 000	1	Knob M8	
15	33003972	2	Skrue M6X12 UNI5739	
16	1466363000	1	HATCH LT MET. GREY F MAIN BROOM SIP	
17	33023255	4	SCREW M6X16 HEX ISO4017 10 PCS SET	
18	146 0755 000	1	Kabel. Flap Sw700/850Sb	[2]
19	145 9410 000	1	CIRCLIP M6	
20	146 0763 000	1	HOLDER CABLE PLASTIC	[2]
21	146 0772 000	4	DECAL ROUND GREY	[2]
22	33005604	4	Self-Locking Nut M6	
23	145 1935 000	1	Filter Shaker Spring	
24	33023183	1	NUT HEX M6 LOW ISO4035 10 PCS SET	[2]
25	1467516000	1	CLEVIS M6X24 GALV. DIN71752 SIP	

Part Notes:

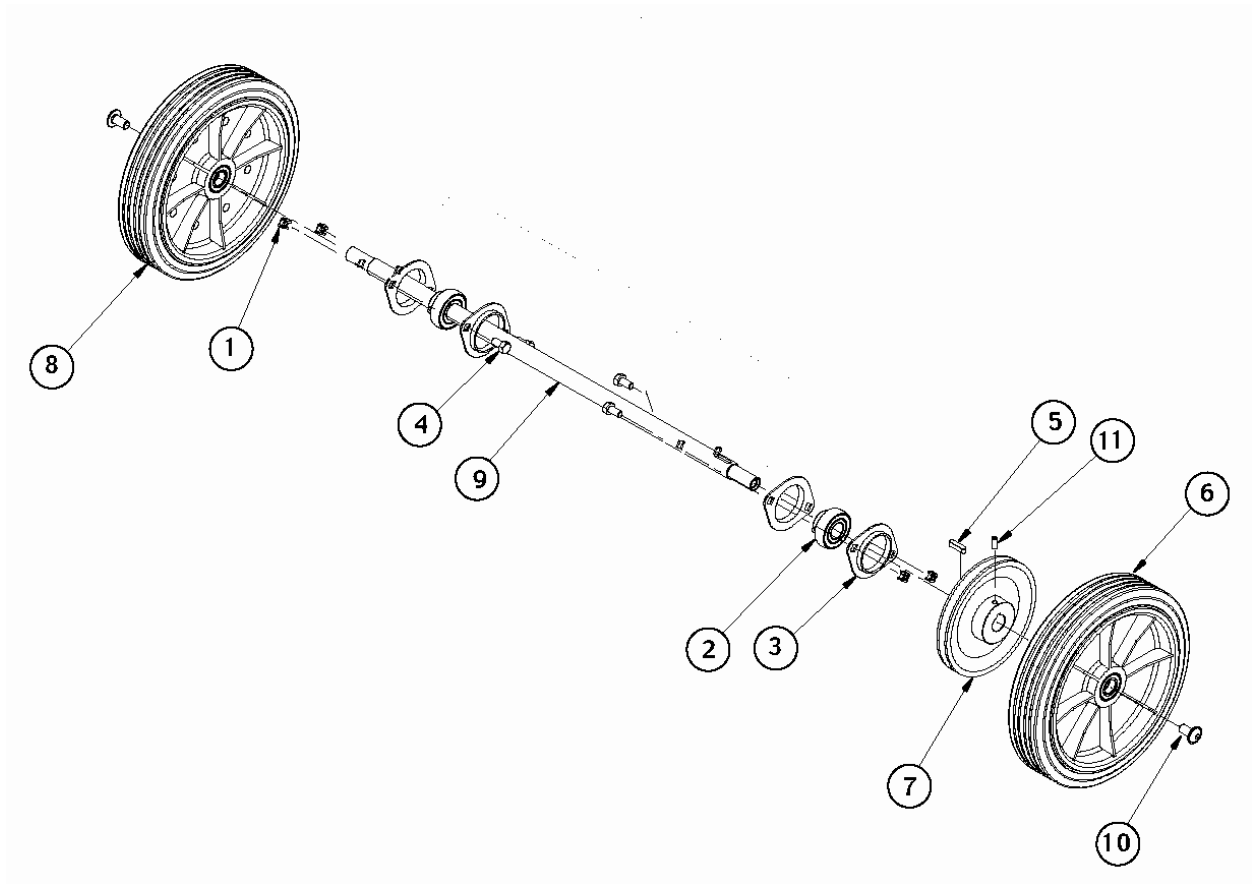
- [1] - GUARANTEE DATE EXPIRED
- [2] - STOCK COVERS GUARANTEE
- [3] - PI 2015-001 TTY
- [4] - SEE PI 2017-002



Pos.	Vare-nr	Antal	Beskrivelse	Notes
0	146 0810 000	1	HARDWARE SIDE BROOM KIT	[1]
1	33005562	4	NUT LOCK HEX M6 ISO7040	
2	145 1252 000	4	Afstandsstykke 6.5X10X5	
3	1467686000	1	WASHER PLAIN M5X15 ISO7093 10 PCS SET	
4	145 4959 000	1	Sidekost stålmix	
4	145 1899 000	1	Sidekost standard	[2]
4	145 4976 000	1	Sidekost til tæpper/naturfiber	[2]
4	146 0678 000	1	Sidekost nylon 180 x 347	[2]
5	33003964	1	Screw M5X25 Uni5739	
6	145 4507 000	1	WASHER PLAIN D.9X45X2 GALV.	[3]
7	145 8455 000	1	Vred	[1]
8	33023470	2	SCREW M6X20 HEX HD ISO4017 10 PCS SET	
9	1466530000	4	WASHER PLAIN M6X18 ISO7093 10 PCS SET	
10	33023255	3	SCREW M6X16 HEX ISO4017 10 PCS SET	
11	145 9777 000	1	Nøgle Uni6604A	[1]
12	146 0519 000	1	Nav F. Sidebørste	
13	146 0558 000	2	Arm,Side Børste	
14	146 0559 000	1	Konsol F. Børste	[3]
15	146 0560 000	1	Krog For Sidebørste	[1]
16	146 0617 000	4	BELLEVILLE WASHER 12.3X21.8X0.35 DIN2093	
17	146 0532 000	1	Reduction Gearmotor	

Part Notes:

- [1] - STOCK COVERS GUARANTEE
- [2] - OPTIONAL
- [3] - GUARANTEE DATE EXPIRED



Pos.	Vare-nr	Antal	Beskrivelse	Notes
1	1464378000	1	HARDWARE DRIVE WHEELS SYS.KIT	[1]
2	145 1123 000	2	Kullager, Aw 400-Serien	
3	145 8543 000	2	SUPPORT PFT 47	[2]
5	145 9899 000	1	KEY 6X6X25 UNI6604A	
6	1466321000	1	WHEEL CPL D.250 RT GREY/BLACK PKD	
7	146 0517 000	1	PULLEY ALU SPZ DP.140	[2]
8	1466320000	1	WHEEL CPL D.250 LT GREY/BLACK PKD	
9	146 0732 000	1	SHAFT	[2]
11	146 0640 000	1	SCREW GRUB M6X14 CUP POINT ISO4029	[3]

Part Notes:

- [1] - INCLUDES POS. 1,4,10
STOCK COVERS GUARANTEE
- [2] - STOCK COVERS GUARANTEE
- [3] - GUARANTEE DATE EXPIRED

