

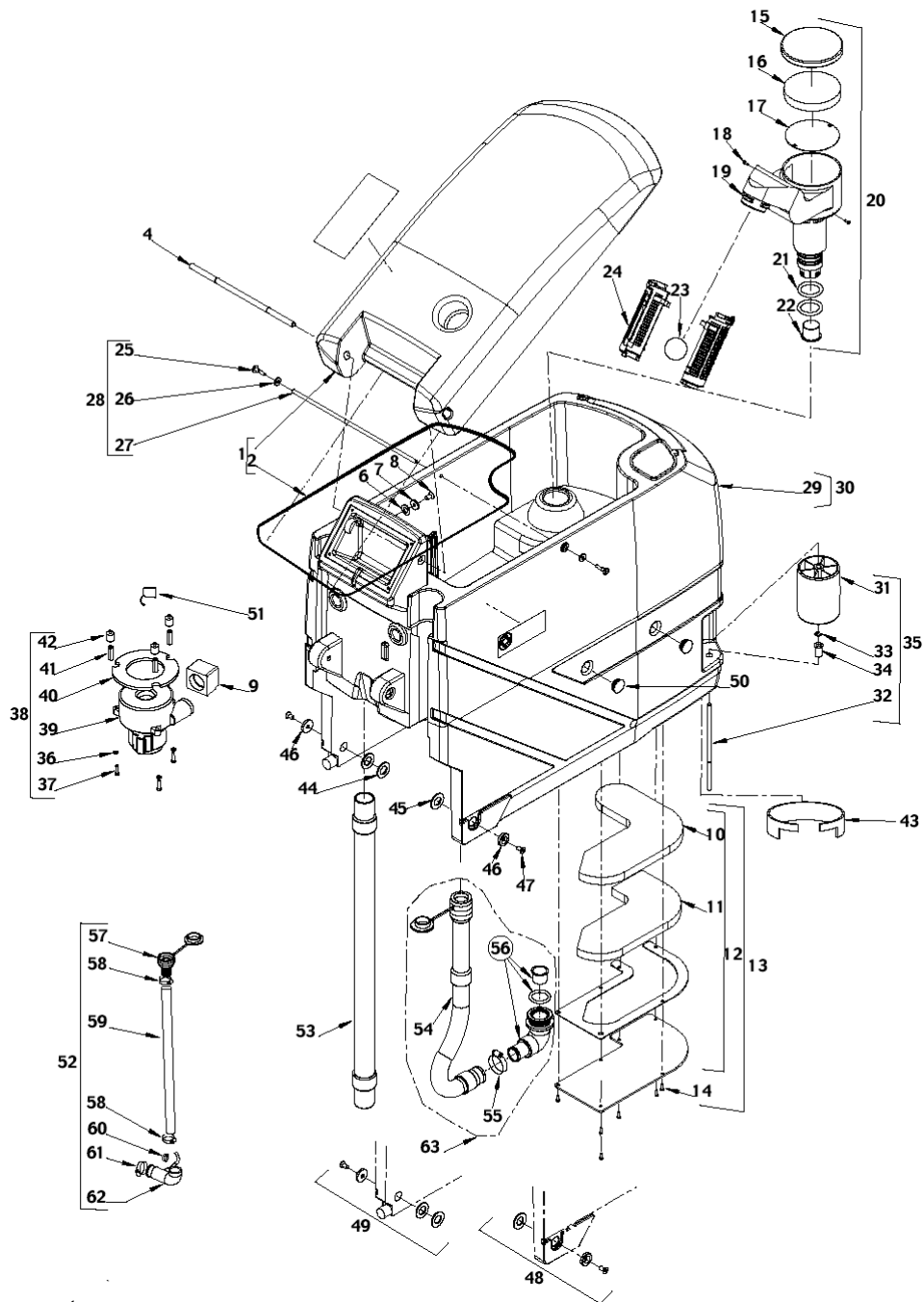
PARTS LIST



2023.01.24

TABLE OF CONTENTS

Tanksamling. BA 450/530-BA 530 Inox-BA 610.....	1
Chassissystem. BA 450/530-BA 530 Inox-BA 610.....	4
Pedalløft. BA 450/530-BA 530 Inox-BA 610.....	6
Børstedrevsystem. BA 530 Inox.....	8
Børstedrevsystem. BA 610.....	10
Brush drive system. BA 610 - 2 motor.....	12
Pudeholdersamlinger BA 450/530-BA 530 Inox-BA 610.....	14
Squeegee system. BA 450/530-BA 530 Inox.....	16
Gummiskrabersystem. BA 610.....	19
Kontakthus. BA 450/530-BA 530 Inox-BA 610.....	21
Kontakthus. BA 450/530 uden træk.....	23
Kontrolpanelsamling BA 450/530-BA 530 Inox-BA 610.....	25
Opløsningssystem. BA 450/530-BA 530 Inox-BA 610.....	27
Ledningssystem uden træk og uden oplader. BA 450/530.....	29
Ledningssystem med træk, men uden batterioplader. BA 450/530-BA 530 Inox.....	31
Ledningsdiagram uden træk, men med oplader. BA 450/530.....	33
Ledningsdiagram med træk og med batterioplader.....	35
Ledningsdiagram med træk og uden batterioplader. BA 610.....	37
Ledningsdiagram med træk og med batterioplader. BA 610.....	39
Chassissystem uden køremotor. BA 450/530-BA 530 Inox-BA 610.....	41
Børstedrevsystem. BA 530.....	43
Børstedrevsystem. BA 450.....	45
Ledningssystem uden træk og uden batterioplader. BA 450/530.....	47
Ledningssystem med træk, men uden batterioplader. BA 450/530-BA 530 Inox.....	49
Ledningssystem uden træk, men med batterioplader. BA 450/530.....	51
Ledningssystem med træk og med batterioplader. BA 450/530-BA 530 Inox.....	53
Ledningssystem uden batterioplader. BA 610.....	55
Ledningssystem med batterioplader. BA 610.....	57



Resource notes:

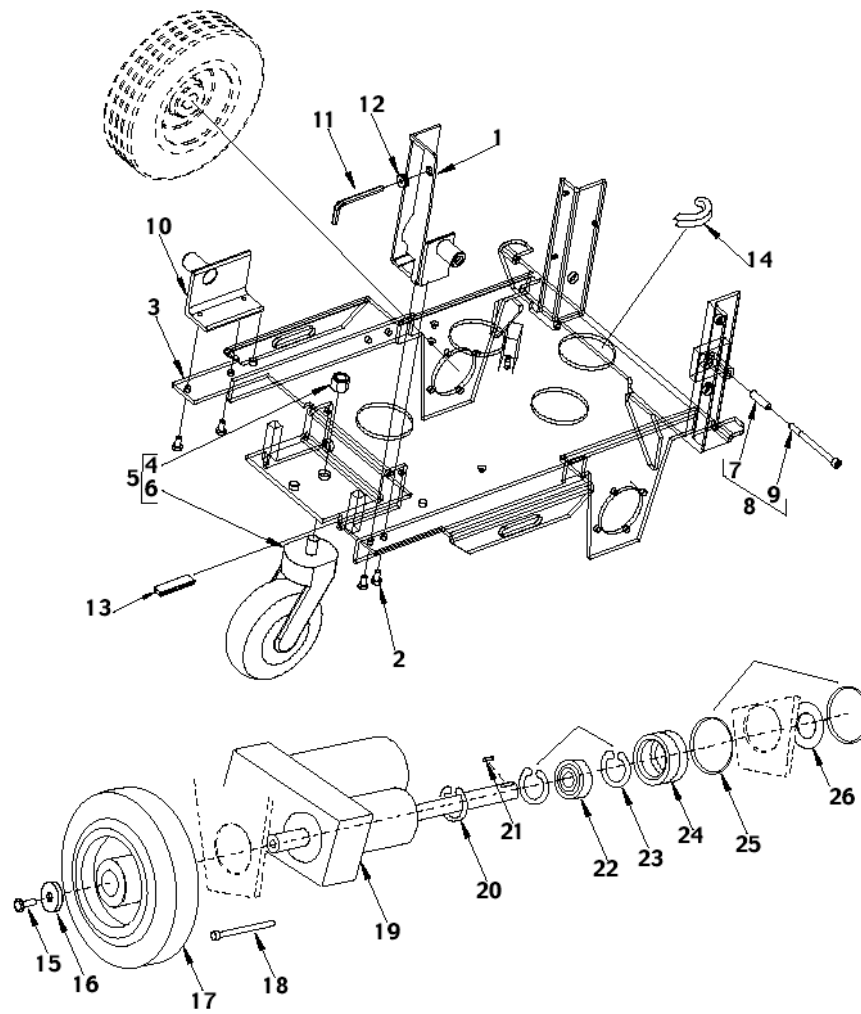
Note: (a) for old Fise vacuum motor 08602437 (b) for new Ametek vacuum motor 909 5021 000 ref. TSB IT 2003-005 TSB IT 2003 005. New Ametek vacuum units Position 0:L08603886 not shown

Pos.	Vare-nr	Antal	Beskrivelse	Notes
00	L08603886	1	CONNECTOR	[1]
1	L08812712	1	Låg, tank inkl. pakning	[1]
2	1467894000	1	GASKET BULB RUBBER L.2450 MM SIP	
4	L08812262	1	PIN F TANK LID	[1]
6	L08812317	2	WASHER PLAIN D.8.5X31X5 RUBBER	[1]
7	L08812336	2	WASHER PLAIN M10X30 SS ISO7093	[1]
8	L08812344	2	SCREW M10X50 HEX HD P/THD SS ISO4014	[1]
9	L08812318	1	SLEEVE	[1]
10	L08812340	1	FOAM ACOUSTIC UPPER	[1]
11	L08812443	1	PANEL INSULATION	[1]
12	L08603650	1	PANEL INSULATING	[1]
13	L08812453	1	Cover W/ Seal, Cpl. F.BA 450/530	[1]
14	L08812804	6	SCREW 3.9X12 PHIL W/O BIT THD FORM F PLA	[1]
15	L08812582	1	Cover BA/CA 450/530 Cover BA/CA 450/53	[1]
16	L08602016	1	Filter	[2]
17	L08602017	1	Filterrist B54E/Ba450/530	[1]
18	L08603123	2	Skruer 3.5X10 THD FORMING SS	[3]
19	L08812256	1	HOUSING.FILTER	[1]
20	L08812475	1	Filter Kpl.F.Ba450/530	[1]
21	L08812260	2	O-Ring F.Ba450/530	[1]
22	L08812351	1	BUSHING FLANGED PLASTIC FILTER-VAC MOTOR	
23	9100000817	1	BALL FLOATING PKD	
24	9100000818	1	CAGE FLOAT HALF 2 PCS SET	
25	L08812687	2	Skruer Ba450/530	[3]
26	L08812686	2	Skive	[2]
27	L08812688	1	PIN.TANK ADJUSTER	[1]
28	L08812715	1	Bar Complete	[1]
29	L08812711	1	Tank	[1]
30	L08812875	1	Tank Ba450/530	[1]
31	L08812248	2	Bumper Roller, Ba450/530	[3]
32	L08812312	2	PIN F BUMPER ROLLER TANK	[1]
33	L08211800	2	RING RADIAL D 8 UNI7434	[1]
34	L08812347	2	BUSHING PLAST. F BUMPER ROLLER PIN	[1]
35	L08812477	2	Bumper Roller, Cpl. F.Ba450/530	[1]
36	33023208	3	WASHER M8 UNI6592 10 PCS SET	
37	L08232600	3	Screw Ba450/530	[3]
38	L08812478	1	Turbine 24V Cpl.D35 F.BA 450/530	[2]
39	L08603888	1	Sugemotor, Kit	
40	L08602410	1	Demper	
41	L08812468	3	Afstand Sty. Med Gevind	[2]
42	L08812462	3	Rubber Buffer Ba450/530	[2]
43	909 5042 000	1	INSULATION ACOUSTIC	[1]
44	L08812439	2	WASHER PLAIN M20X37 NYLON ISO7089	[1]
45	L08812357	1	WASHER THRUST KA D.20X38X1.65 MM	[1]
46	9100002136	1	WASHER COUNTERSUNK 9X30 H.6 - 2 PCS SET	
47	L08812446	2	SCREW M8X20 C/SUNK PHIL ISO7046 SCOTCH-G	[1]
48	L08812473	1	TANK RINFORCE RIGHT ASSY	[1]
49	L08812474	1	TANK RINFORCE LEFT ASSY	[1]
50	33023302	4	CAP BLACK SIP	
51	L08812887	2	CARBON BRUSH	[1]
51	909 5074 000	1	Kulbørste Kit 2 Stk	
52	909 5527 000	1	Slangekit, Rent Vand BA/CA 430-510S Ny T	
53	909 5583 000	1	Slange,Sug	
54	9099692000	1	AFTAPNINGSSLANGE SORT PKD	
55	9100001348	1	CLAMP HOSE 32-52/12 10 PCS SET	
56	L08812874	1	Elbow Assly	
57	909 5236 000	1	Prop Rentvandslange Br601-751	
58	L08603916	2	Slangeklemme 12/16-27	
59	909 5527 000	1	Slangekit, Rent Vand BA/CA 430-510S Ny T	[4]

Pos.	Vare-nr	Antal	Beskrivelse	Notes
60	L08603901	1	CLAMP 14.8X15.9	[1]
61	L08236100	1	Hose Clip Ba450/530	
62	L08603870	1	Bøjning T/Rentvand Ba450	
63	L08812873	1	Tømmeslange Kpl Ba450/530	[5]

Part Notes:

- [1] - GUARANTEE DATE EXPIRED
- [2] - STOCK COVERS GUARANTEE
- [3] - NO LONGER AVAILABLE
- [4] - alternative hose complete item 909 5527 000
- [5] - ALTERNATIVE USE 9099692000



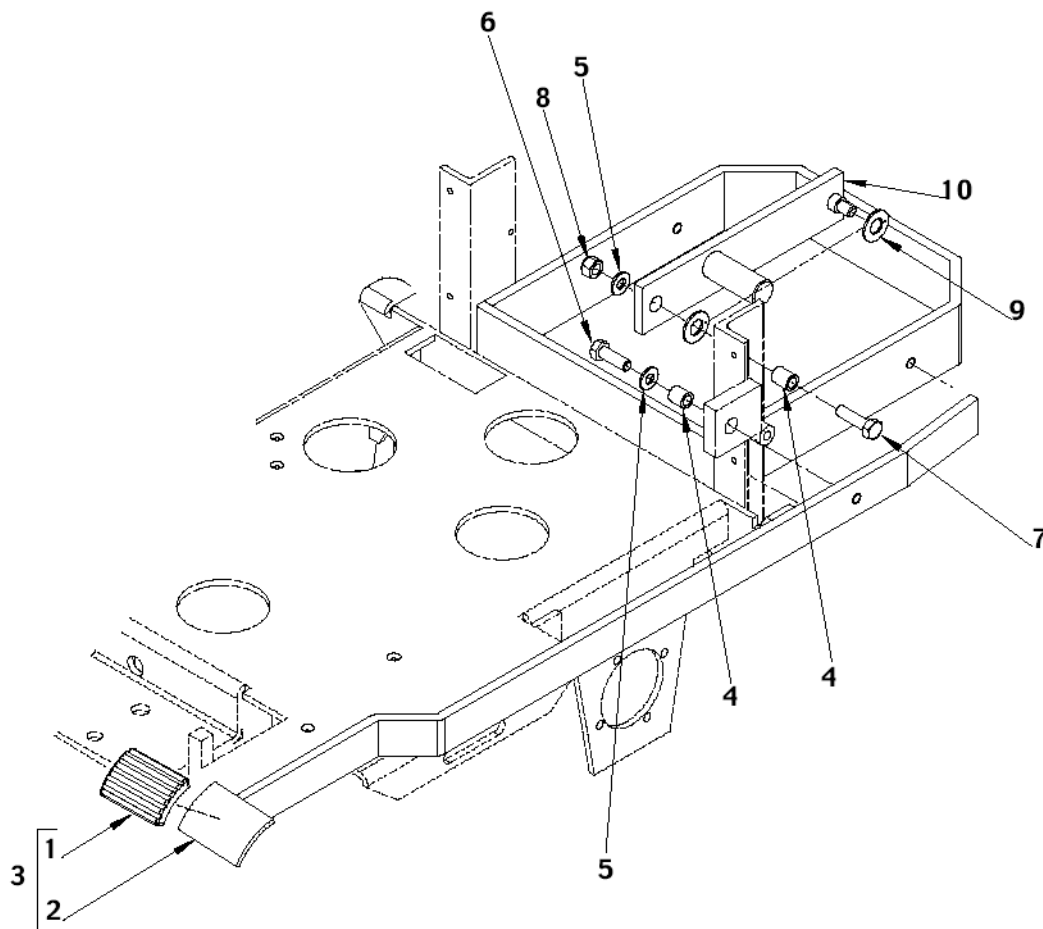
Resource notes:

Note: POSITION 6 NO MORE AVAILABLE AS SINGLE SEE TSB IT 2005-019TSB IT 2005-019. New castor wheel Pos No.0 means "Not shown"

Pos.	Vare-nr	Antal	Beskrivelse	Notes
00	1464432000	2	Brush Carbon Kit 4Pcs	
01	909 5051 000	1	BRACKET RT SS F TANK	[1]
01	L08812252	1	BRACKET RT F TANK	[1]
02	L08326100	4	SCREW M6X12 HEX HD ISO4017 SCOTCH-GRIP	[2]
03	909 5267 000	1	Chassis,Ba450/530	[1]
03	909 5415 000	1	CHASSIS SS	[1]
04	L08601000	1	Låsemøtrik M12 F/Ca340 F/Håndtagsreguler	[2]
05	909 6000 000	1	Hjul, Kit BA 450/530	[3]
07	L08812449	1	SPACER D.6X8 H.29 BRASS	[1]
08	L08812461	1	Screw F.Ba450/530	[1]
09	33004151	1	Screw M6X80 Uni5931 Ss	[1]
10	909 5050 000	1	BRACKET LT SS F TANK	[1]
10	L08812246	1	BRACKET LT F TANK	[1]
11	L08063800	1	ALLEN WRENCH 5 MM	[4]
12	L08812388	1	Grommet	[1]
13	146 1623 000	1	GASKET	[1]
14	146 1966 000	1	GASKET RUBBER L. 100MM SIP	[4]
15	L08602341	2	SCREW M10X25 HEX HD ISO4017 SCOTCH-GRIP	[1]
16	33003744	2	Washer 10X30	
17	909 5078 000	2	Hjul, Træk, Skridsikre	[5]
17	L08603697	2	Hjul, Træk Ba450/530	[6]
18	L08326100	4	SCREW M6X12 HEX HD ISO4017 SCOTCH-GRIP	[2]
19	L08812234	1	Køremotor Ba450/530	[1]
20	L08182700	2	Seegerring	[7]
21	145 9776 000	2	Kil	
22	L08183900	1	Leje	[1]
23	33006176	2	Seeger J47	[2]
24	L08812237	1	HOLDER BALL BEARING	[1]
25	33006096	2	RING D 60 UNI7435	[4]
26	L08812338	1	SPRING WAVY D.61	[1]

Part Notes:

- [1] - GUARANTEE DATE EXPIRED
- [2] - STOCK COVERS GUARANTEE
- [3] - SEE TSB IT 2007-019
- [4] - NO LONGER AVAILABLE
- [5] - POLYURETHANE BROWN - OPTION
STOCK COVERS GUARANTEE
- [6] - SLICK GREY - STD
STOCK COVERS GUARANTEE
- [7] - NO MORE AVAILABLE



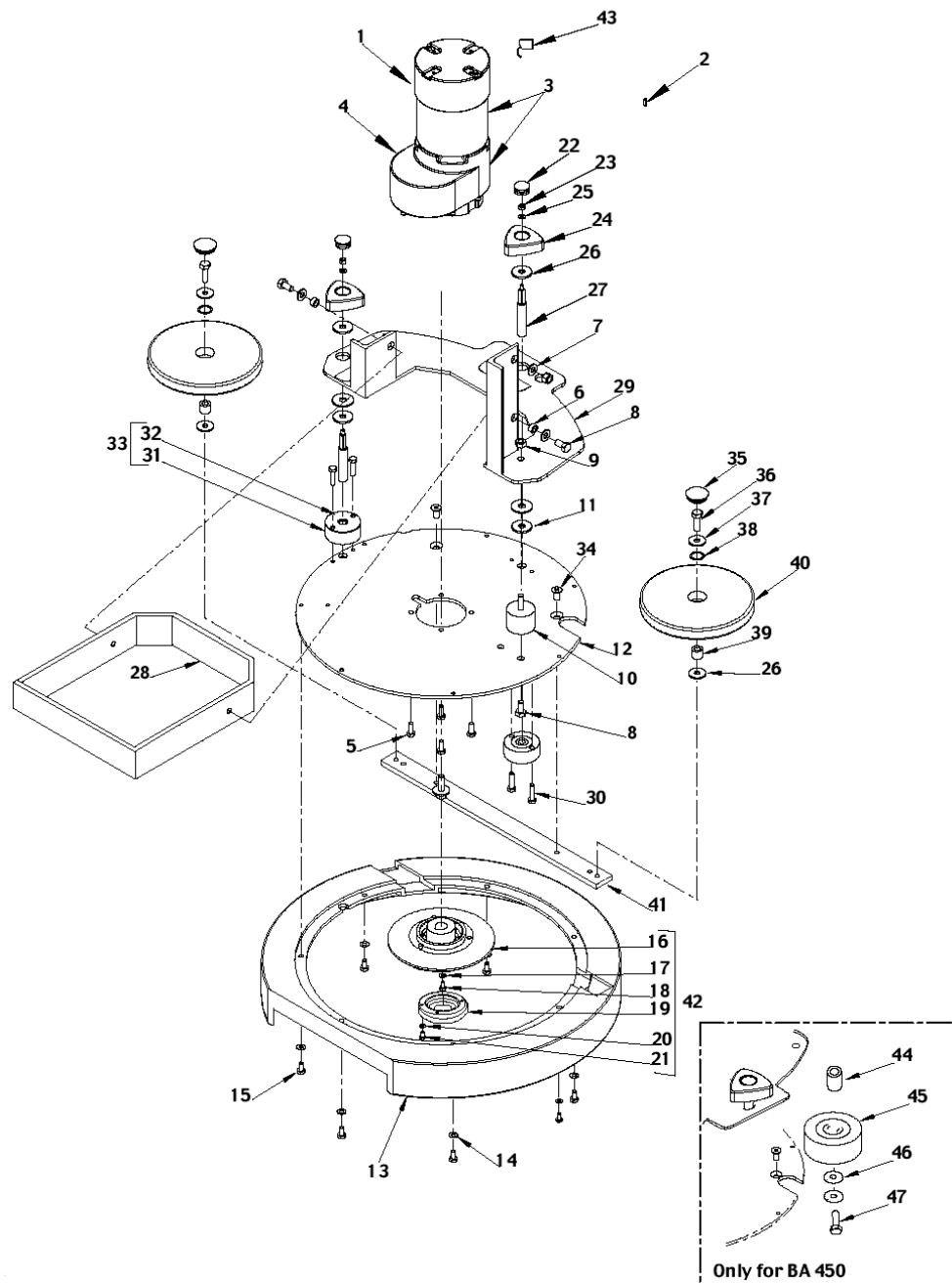
Resource notes:

Note:

Pos.	Vare-nr	Antal	Beskrivelse	Notes
01	L08812226	1	Rubber, Pedal Ba450/530	[1]
02	909 5046 000	1	Pedal Brush Lifting SS	[2]
02	L08812223	1	Pedal	[1]
03	L08812467	1	PEDAL LIFTING ASSY	[2]
04	L08812324	2	Sleeve Ba450/530	[2]
05	33023208	6	WASHER M8 UNI6592 10 PCS SET	
06	L08367300	1	Screw M8X25, Vz Ba450/530	[2]
07	33003996	1	Screw Te 8X30	
08	33023574	1	NUT LOCK HEX M8 ISO10511 PCS 10 SET	
09	L08812361	2	Washer Ba450/530	[2]
10	L08812219	1	Lever Ba450/530	[2]
10	909 5048 000	1	LEVER BRUSH LIFTING SS	[2]

Part Notes:

- [1] - NO LONGER AVAILABLE
- [2] - GUARANTEE DATE EXPIRED



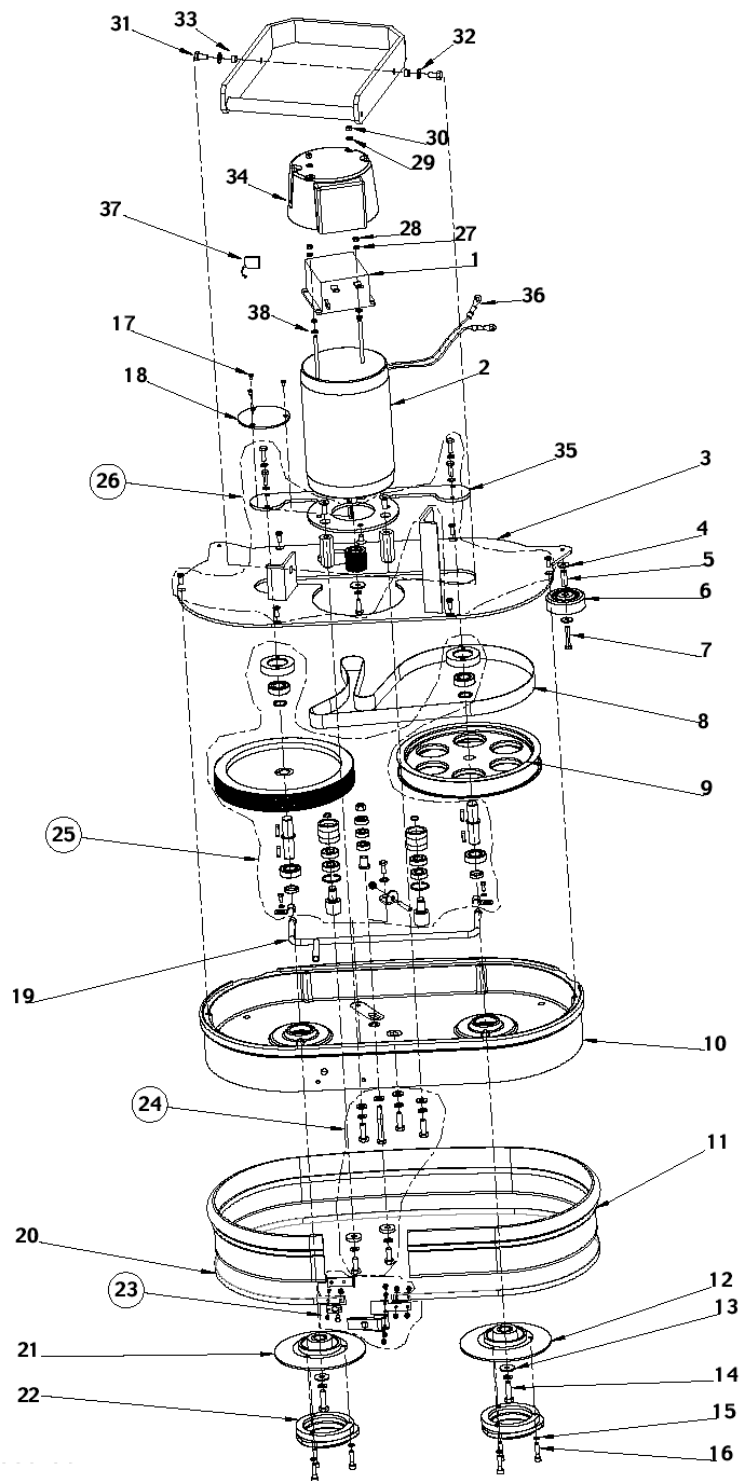
Resource notes:

Note:

Pos.	Vare-nr	Antal	Beskrivelse	Notes
00	909 5175 000	1	Stænkskørt Ba/Ca 430/450	[1]
1	9097114000	1	Motor Electric 520W 24V	
2	1466147000	1	KEY 5X5X20 UNI6604A PKD	
3	909 5507 000	1	Børstemotor Kompl.510/530	
4	9099851000	1	REDUCTION GEAR	
5	L08600757	4	Hexagonal Screw M 6X16 Vz F.Ba450/530	[1]
6	L08812325	4	Sleeve Ba450/530	
7	33023208	4	WASHER M8 UNI6592 10 PCS SET	
8	L08274300	5	Screw Ba450/530	[2]
9	33005504	1	Møtrik M8 Uni5588	
10	9100000868	1	VIBRATION DAMPING M8 60SH 2 PCS SET	
11	L08812719	1	Pakning 9X28X3 Ba450/530	[1]
12	L08812205	1	PLATE.BRUSH HOLDER	[1]
12	909 5044 000	1	PLATE BRUSH HOLDER SS	[3]
14	1466530000	7	WASHER PLAIN M6X18 ISO7093 10 PCS SET	
15	L08326100	7	SCREW M6X12 HEX HD ISO4017 SCOTCH-GRIP	[4]
16	L08812306	1	Polyg. Flange Ba450/530	
17	145 9171 000	1	Pakning 8X32X2,5	
18	33003996	1	Screw Te 8X30	
19	L08812480	1	Polyg. Holder Ba450/530	
20	L08353300	3	WASHER NORD LOCK M6 DIN25201	[2]
21	909 5056 000	3	SCREW M6X20 CAP HD HEX SS ISO4762 SCOTCH	[1]
22	L08812426	2	Plug Ba450/530	
23	33023655	2	NUT HEX M5 MEDIUM ISO4032 10PCS.SET	[4]
24	L08812203	2	Knob Ba450/530	
25	L08812719	4	Pakning 9X28X3 Ba450/530	[1]
26	L08812718	2	Skive, Gummi Ba450/530	[2]
27	909 5091 000	2	Pin Brush Plate Fixing Ss	[5]
27	L08812706	2	Screw. Skrue	
28	L08812218	1	FRAME.BRUSH LIFTING	[1]
29	L08812221	1	Plate Ba450/530	[1]
29	909 5047 000	1	PLATE BRUSH HOLDER SS	[3]
30	L08812885	2	Skrue M6X30 Ba510S	[2]
31	909 5411 000	2	SUPPORT VIBRATION DAMPING SS	[1]
31	L08812213	2	Hjul, Pårørsel Ba450/530	
32	L08812779	2	Metalplade	
33	L08812780	1	Gummi Ophæng Komp. D	
42	L08812589	1	Holder Polyg,W/Flange Kit	
43	L08603850	1	Kul Kit Ba450/530/610	[4]

Part Notes:

- [1] - GUARANTEE DATE EXPIRED
- [2] - NO LONGER AVAILABLE
- [3] - Machine pruned 09.2006
GUARANTEE DATE EXPIRED
- [4] - STOCK COVERS GUARANTEE
- [5] - Machine pruned 09.2006
ALTERNATIVE L08812706 NON STAINLESSSTEEL



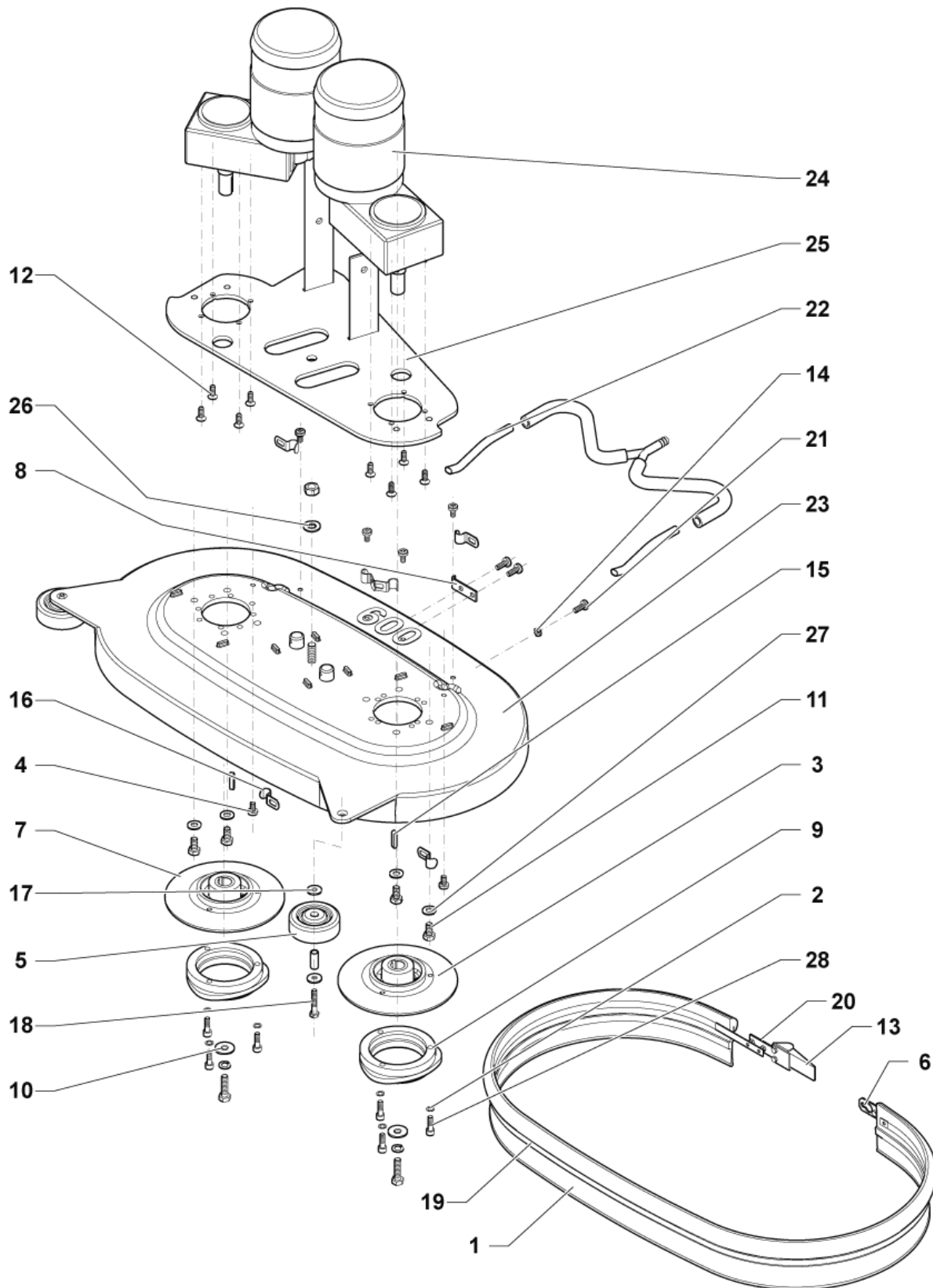
Resource notes:

Note: Pos No.0 means "Not shown"

Pos.	Vare-nr	Antal	Beskrivelse	Notes
00		1		
01	909 5016 000	1	CARD ELECTRONIC	[1]
02	L08603820	1	MOTOR ELECTRIC 650W 24V	[2]
03	L08603810	1	COVER.BRUSH DECK	[1]
04	1466530000	4	WASHER PLAIN M6X18 ISO7093 10 PCS SET	
05	L08602461	2	SPACER 6.8X9X26	[1]
06	L08602460	2	Wheel	
07	33023227	2	SCREW M6X35 HEX HD ISO4017 10 PCS SET	[1]
08	L08603821	1	Rem	[1]
09	L08603811	1	PULLEY	[1]
10	909 5546 000	1	DECK BRUSH 610MM/24 KIT	[3]
11	L08603837	1	Skørt, Børste Ba610	[1]
12	L08812306	1	Polyg. Flange Ba450/530	
13	33023660	2	WASHER PLAIN M8X24X2 ISO7093 5 PCS SET	
14	33003996	2	Screw Te 8X30	
15	L08353300	6	WASHER NORD LOCK M6 DIN25201	[4]
16	909 5056 000	6	SCREW M6X20 CAP HD HEX SS ISO4762 SCOTCH	[1]
17	L08603976	3	SCREW M3X8 C/SUNK FLAT PHIL SS ISO7046	[1]
18	L08603904	1	CLOSURE	[5]
19	L08603815	1	PIPE COPPER F WATER BRUSH	[4]
20	L08603826	1	HOLDER SPLASH GUARD	[6]
21	L08812306	1	Polyg. Flange Ba450/530	
22	L08812480	2	Polyg. Holder Ba450/530	
23	L08603979	1	GUARD SPLASH FIXING KIT	[1]
24	L08603980	1	HARDWARE BRUSH DECK KIT	[1]
25	L08603981	1	PULLEYS FIXING KIT	[1]
26	L08603982	1	HARDWARE BRUSH MOTOR KIT	[1]
27	33005502	2	Møtrik M6	
28	33023655	2	NUT HEX M5 MEDIUM ISO4032 10PCS.SET	[7]
29	33023195	6	WASHER PLAIN M5 ISO7089 10 PCS SET	
30	33023194	2	NUT LOCK HEX M5 LOW ISO10511 10 PCS SET	
31	L08274300	2	Screw Ba450/530	[4]
32	33023208	2	WASHER M8 UNI6592 10 PCS SET	
33	L08812325	2	Sleeve Ba450/530	
34	909 5020 000	1	COVER ELECTRONIC CARD	[1]
35	L08603823	1	FLANGE	[1]
36	146 0725 000	2	TERMINAL RING INS.YELL.D.6.4-4/6MMQ	[1]
37	L08603949	1	Kul Kit 4 Stk	

Part Notes:

- [1] - GUARANTEE DATE EXPIRED
- [2] - ITEM NO LONGER AVAILABLE
- [3] - PRUNED ACCESSORY
- [4] - NO LONGER AVAILABLE
- [5] - until 2004
GUARANTEE DATE EXPIRED
- [6] - GUARANTEE PERIOD EXPIRED
- [7] - STOCK COVERS GUARANTEE

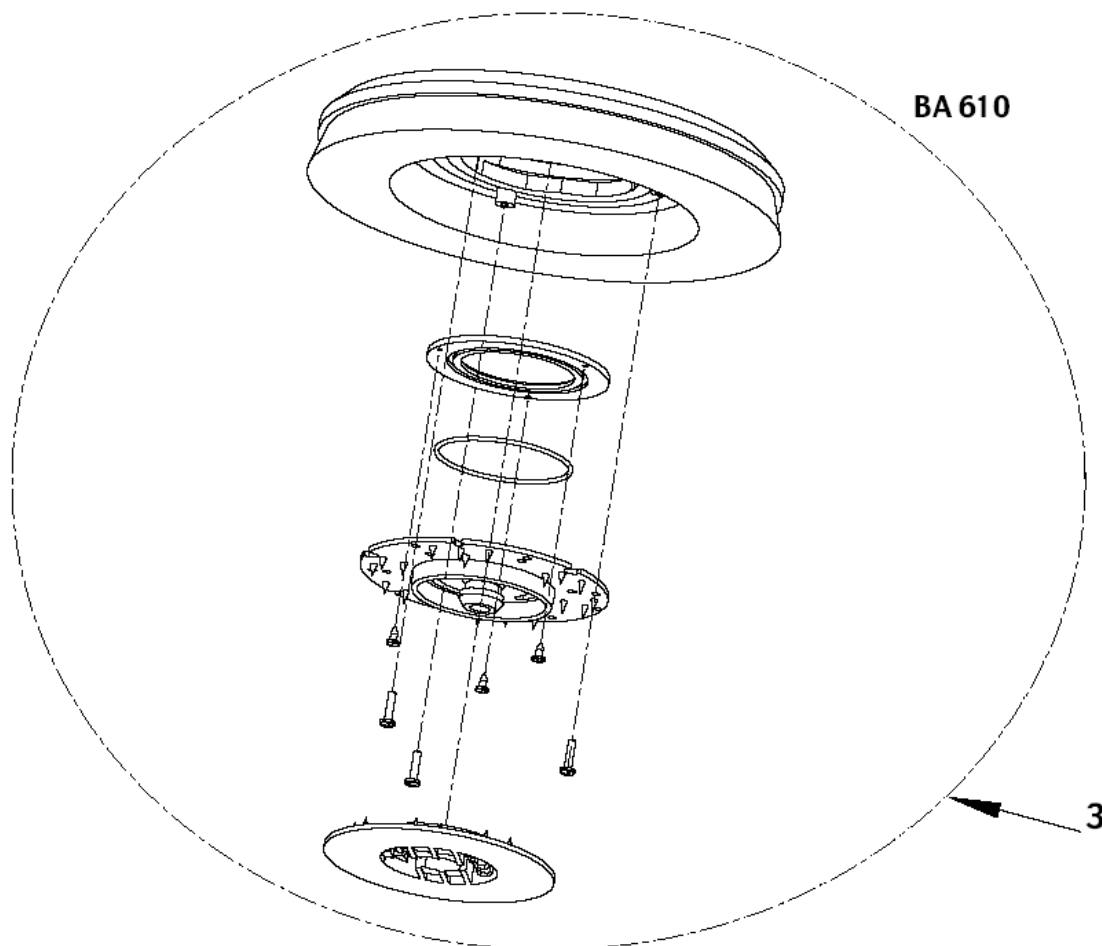
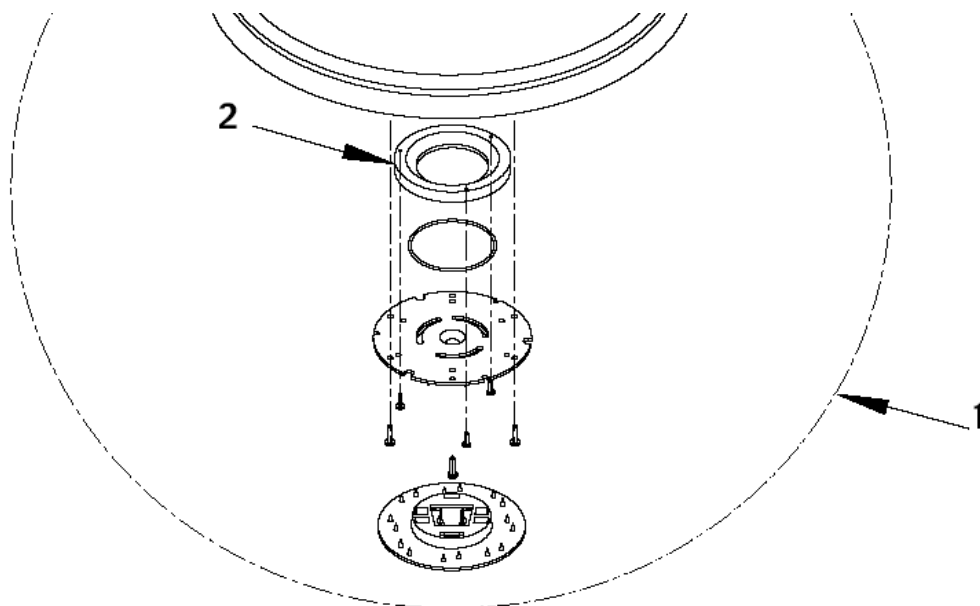


Resource notes:
29 - NOT SHOWN

Pos.	Vare-nr	Antal	Beskrivelse	Notes
01	909 5224 000	1	Børsteinddækningssæt, 650 mm	
02	L08353300	6	WASHER NORD LOCK M6 DIN25201	[1]
03	L08812306	1	Polyg. Flange Ba450/530	
04	L08603986	6	SCREW M6X12 PAN HD PHIL SS ISO7045	[2]
05	L08602460	2	Wheel	
06	L08603984	1	PLATE STRAIGHT W/HOLE	[2]
07	L08812306	1	Polyg. Flange Ba450/530	
08	L08603968	1	PLATE BENT	[3]
09	L08812480	2	Polyg. Holder Ba450/530	
10	1466482000	2	WASHER PLAIN M8X24 SS ISO7093 10 PCS SET	[1]
11	145 0521 000	4	SCREW M8X16 HEX HD F/THD SS ISO4017	
12	33004576	8	SCREW M6X16 C/SUNK FLAT HD HEX ISO10642	
13	9098321000	1	Latch Squeegee	
22	909 5228 000	2	HOSE COPPER	[2]
14	33023183	1	NUT HEX M6 LOW ISO4035 10 PCS SET	[1]
15	1466146000	2	KEY 5X5X25 UNI6604A PKD	
16	145 9212 000	6	U-BOLT D.10	[2]
17	1466530000	4	WASHER PLAIN M6X18 ISO7093 10 PCS SET	
18	33023227	2	SCREW M6X35 HEX HD ISO4017 10 PCS SET	[2]
19	L08603826	1	HOLDER SPLASH GUARD	[3]
20	L08603967	1	PLATE STRAIGHT	[2]
21	909 5010 000	3	SCREW M6X16 PAN HD PHIL SS ISO7045	[2]
23	909 5344 000	1	DECK BRUSH	
24	909 5542 000	2	REDUCTION GERMOTOR 350W 24V	[2]
25	909 5539 000	1	SUPPORT REDUCT.GERMOTOR	[2]
26	33023224	1	WASHER PLAIN M10 ISO7089 10 PCS SET	
27	9100001351	4	WASHER PLAIN M8 ISO7089 SS 10 PCS SET	
28	909 5056 000	6	SCREW M6X20 CAP HD HEX SS ISO4762 SCOTCH	[2]
29	909 5546 000	1	DECK BRUSH 610MM/24 KIT	[4]

Part Notes:

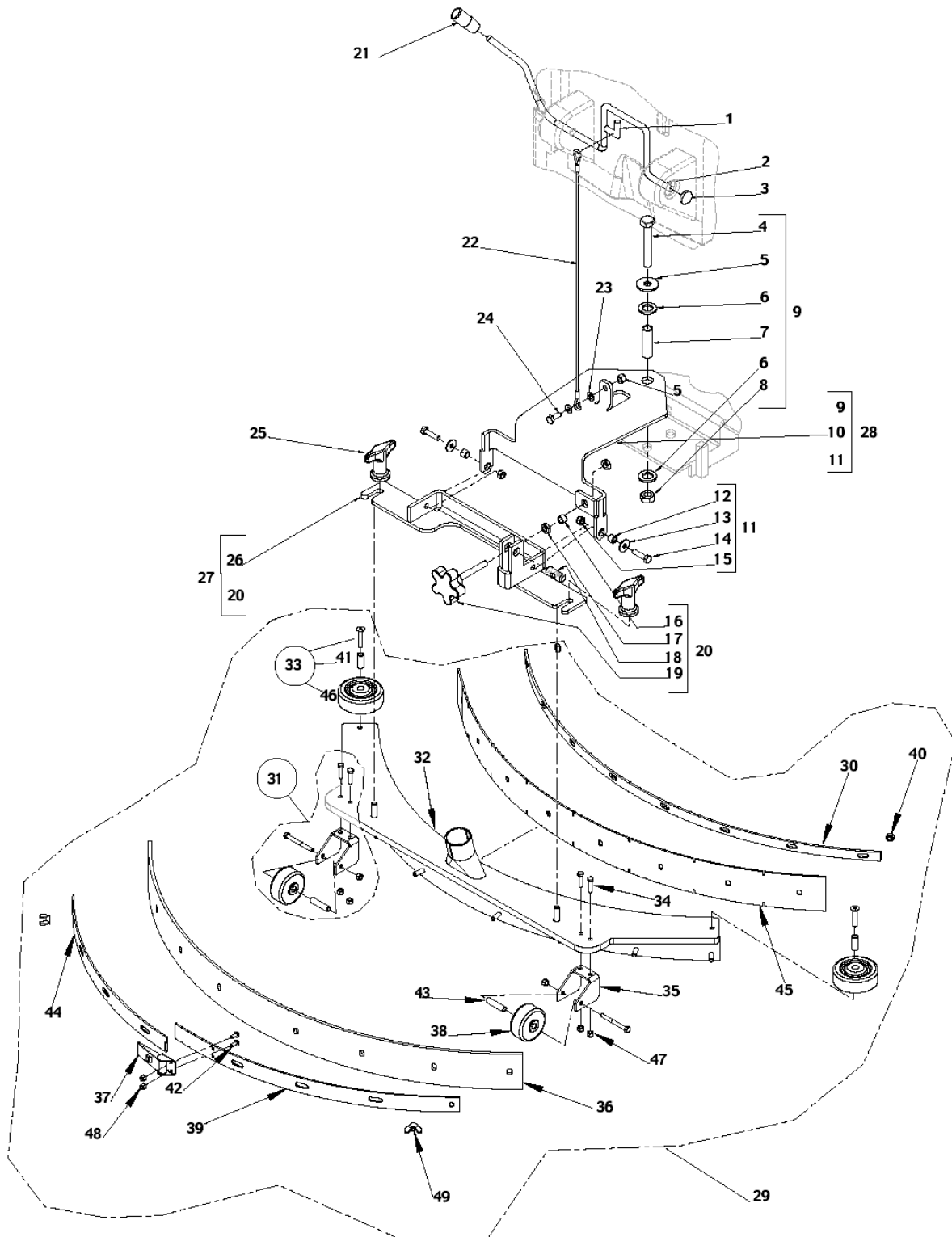
- [1] - NO LONGER AVAILABLE
- [2] - GUARANTEE DATE EXPIRED
- [3] - GUARANTEE PERIOD EXPIRED
- [4] - INST. INSTR. 909 5540 000
PRUNED ACCESSORY



Resource notes:

Note:

Pos.	Vare-nr	Antal	Beskrivelse	Notes
01	L08837017	1	Rondelholder 18" Ø450 mm	
01	L08837018	1	Rondelholder 21" Ø530 mm	
02	L08603966	1	Ring Nylon	
03	9099670000	1	Rondelholder 12" Ø305 mm Velcro	



Resource notes:

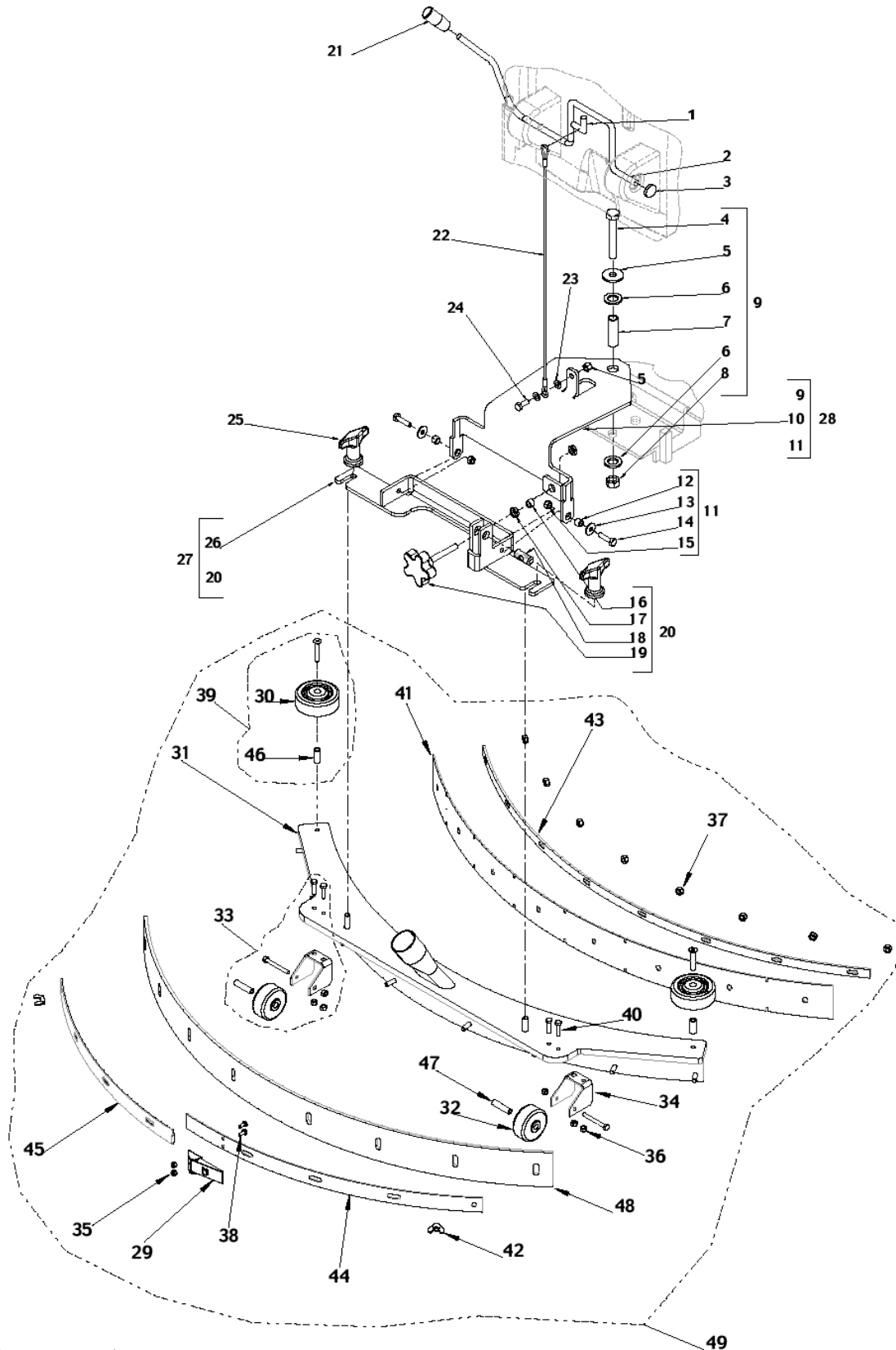
Note: Pos No.0 means "Not shown"

Pos.	Vare-nr	Antal	Beskrivelse	Notes
00	L08603923	1	ROLLER BUMPER OPTION KIT	[1]
00	L08603935	1	Dæksel	[2]
00	L08812404	1	Sugelæbekit, 770 Mm	
02	L08812230	1	Squeegee Lever Ba450/530	[1]
03	L08812356	1	Closing Cap Ba450/530	[3]
04	909 5089 000	1	SCREW M10X70 HEX HD F/THD SS ISO4017	[1]
04	33004018	1	SCREW M10X70 HEX HD F/THD ISO4017	[2]
05	33003744	1	Washer 10X30	
06	L08238300	2	Skive	
07	909 5085 000	1	SPACER 10.4X14X47 SS	[1]
07	L08812391	1	Bøsning	[1]
08	L08082100	1	Bøsning	
09	L08812516	1	Fixture Ba450/530	[1]
10	909 5045 000	1	PLATE SQUEEGEE HOLDER SS	[1]
10	L08603655	1	Plate.Squeegee Support	[1]
11	L08812521	1	Fixture F. Nozzle Holder Ba450/530	[3]
12	L08601854	2	SPACER 7X10X8	[1]
13	1466530000	2	WASHER PLAIN M6X18 ISO7093 10 PCS SET	
14	L08232600	2	Screw Ba450/530	[3]
15	33023667	2	NUT LOCK HEX M6 LOW ISO10511 5 PCS SET	
16	L08602422	1	SPACER 8X10X7	
17	33005533	2	Nut M8	
18	L08601509	1	Bolt	
19	L08601574	1	Skruer	
20	L08812518	1	Adjustm. Screw Set Ba450/530	
21	L08812349	1	Ball Grip Ba450/530	
22	L08812362	1	Kabel	
23	1466530000	2	WASHER PLAIN M6X18 ISO7093 10 PCS SET	
24	L08232600	1	Screw Ba450/530	[3]
25	9097637000	1	Monteringsskrue (2 Stk)	
26	L08812228	1	Beslag Til Sugefod Ba450/530	[1]
27	L08812519	1	Nozzle Holder Set Cpl. Ba450/530	[1]
28	L08603657	1	Holder, Sugedyse Ba530	[1]
29	L08603878	1	Squeegee Komp.Ba450/530	
30	L08603672	1	Blade Fixer Latch	[1]
30	909 5062 000	1	STRAP FRONT SS F SQUEEGEE	[1]
31	L08603879	1	Hjul For Sugefod	
32	L08603676	1	Sugefod Komplet 770 Mm	[1]
32	909 5063 000	1	SQUEEGEE 740MM 29 SS	[1]
33	L08603880	1	Stødhjulskit, Sugefod	
34	L08603687	1	Screw Hex Hd M5X20 Ss	[3]
35	909 5059 000	2	BRACKET SQUEEGEE WHEEL SS	[1]
35	L08603666	2	Nalhjulfeste	[1]
36	909 6860 000	1	Sugegummi kit Gum rubber 740 mm	
37	9098321000	1	Latch Squeegee	
38	9100000559	2	WHEEL D.51 GREY PKD	
39	909 5060 000	1	Strap Ss Rear W/Hook	[1]
39	L08603670	1	Rear Strap For Latch	[1]
40	L08603682	8	Hex Nut Selflocking Ss M 6	
41	L08812397	2	HARNES VAC.MOT/EL.CARD	[4]
41	909 5058 000	2	SPACER D.6.3X9.5 H.21 SS	[1]
42	L08812948	2	Bolt, Sugefod 450/530	
43	909 5057 000	2	Skive,Hjul,Sugenal	[3]
44	909 5061 000	1	Skinne, Højre F. Gummi	[1]
44	L08603669	1	Rear Strap With Hook	[1]
45	909 6860 000	1	Sugegummi kit Gum rubber 740 mm	
46	L08602460	2	Wheel	
47	L08603688	6	Hex Nut Selflocking Ss M5	
48	L08603685	2	Nut M4 Inox	

Pos.	Vare-nr	Antal	Beskrivelse	Notes
49	909 6356 000	2	Vingemøtrik-Sæt (2 Stk.)	

Part Notes:

- [1] - GUARANTEE DATE EXPIRED
- [2] - STOCK COVERS GUARANTEE
- [3] - NO LONGER AVAILABLE
- [4] - TSB 2004-015



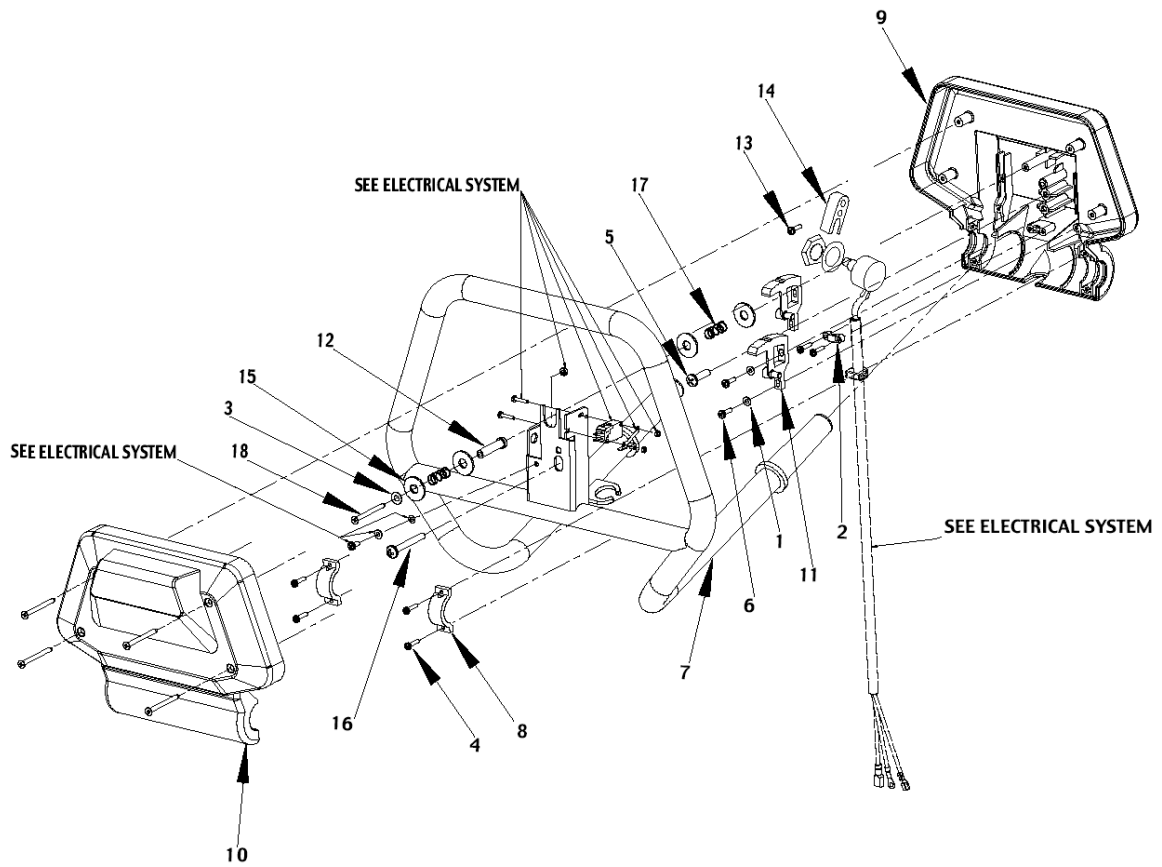
Resource notes:

Note: POSITIONS 41 AND 48 NOT MORE AVAILABLE AS SINGLE PART. REPLACED BY THE KIT 9097499000 WHICH INCLUDES BOTH BLADES Pos No.0 means "Not shown"

Pos.	Vare-nr	Antal	Beskrivelse	Notes
00	910000280	1	Sugegummi kit sværtefri 33" 840 mm	
00	909 5004 000	1	BLADES SQUEE. OIL RESIST.W/FILTERS KIT	[1]
00	909 6859 000	1	Sugegummi kit polyurethan 33" 830 mm	
00	909 5006 000	1	Sugegummi kit, Gum rubber	[2]
01	L08603935	1	Dæksel	[3]
02	L08812230	1	Squeegee Lever Ba450/530	[1]
03	L08812356	1	Closing Cap Ba450/530	[2]
04	33003814	1	SCREW M10X65 HEX HD P/THD ISO4014	[1]
05	33003744	1	Washer 10X30	
06	L08238300	2	Skive	
07	L08812391	1	Bøsning	[1]
08	33005608	1	Møtrik M10 Uni7474	
09	L08812516	1	Fixture Ba450/530	[1]
10	L08603655	1	Plate.Squeegee Support	[1]
11	L08812521	1	Fixture F. Nozzle Holder Ba450/530	[2]
12	L08601854	2	SPACER 7X10X8	[1]
13	1466530000	2	WASHER PLAIN M6X18 ISO7093 10 PCS SET	
14	L08232600	2	Screw Ba450/530	[2]
15	33023667	2	NUT LOCK HEX M6 LOW ISO10511 5 PCS SET	
16	L08602422	1	SPACER 8X10X7	
17	33005533	2	Nut M8	
18	L08601509	1	Bolt	
19	L08601574	1	Skruer	
20	L08812518	1	Adjustm. Screw Set Ba450/530	
21	L08812349	1	Ball Grip Ba450/530	
22	L08812362	1	Kabel	
23	1466530000	2	WASHER PLAIN M6X18 ISO7093 10 PCS SET	
24	L08232600	1	Screw Ba450/530	[2]
25	9097637000	1	Monteringsskrue (2 Stk)	
26	L08812228	1	Beslag Til Sugefod Ba450/530	[1]
27	L08812519	1	Nozzle Holder Set Cpl. Ba450/530	[1]
28	L08603657	1	Holder, Sugedyse Ba530	[1]
29	9098321000	1	Latch Squeegee	
30	L08602460	2	Wheel	
31	9100000962	1	SQUEEGEE 830MM 33 METAL SIP	
32	9100000559	2	WHEEL D.51 GREY PKD	
33	9100000573	1	Hjul til sugefod kit	
34	L08603666	2	Nalhjulfeste	[1]
35	L08603685	2	Nut M4 Inox	
36	L08603688	6	Hex Nut Selflocking Ss M5	
37	L08603682	8	Hex Nut Selflocking Ss M 6	
38	L08603684	2	Pan Screw Phil Ss Mx10	
39	L08603880	1	Stødhjulskit, Sugefod	
40	L08603687	4	Screw Hex Hd M5X20 Ss	[2]
42	909 6356 000	2	Vingemøtrik-Sæt (2 Stk.)	
43	L08603831	1	Strap Front	
44	L08603834	1	Skinne, Sugegummi Ba530 Bageste, Venstre	[4]
45	L08603833	1	Skinne, Sugegummi Ba530 Bageste, Højre	[4]
46	L08812937	2	SPACER 6.3X9.5 H.21 ZNT	[1]
47	L08812948	2	Bolt, Sugefod 450/530	
49	909 5372 000	1	"Sugefod Kit 33"" Komplet "	

Part Notes:

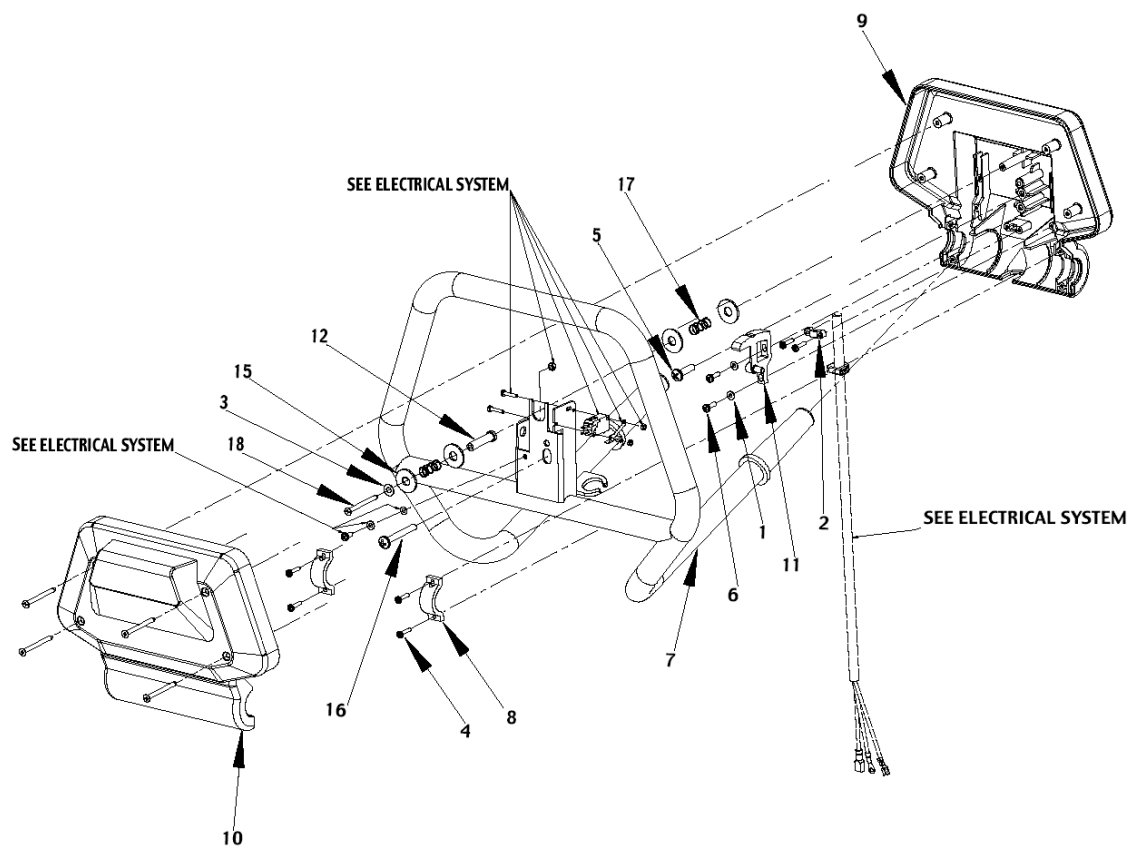
- [1] - GUARANTEE DATE EXPIRED
- [2] - NO LONGER AVAILABLE
- [3] - STOCK COVERS GUARANTEE
- [4] - ALTERNATIVE USE 909 6894 000



Pos.	Vare-nr	Antal	Beskrivelse	Notes
01	L08200800	4	Skive M4 Rustfri Stål Uni6592	
02	L08600168	1	BLOCK CABLE FIXING	
03	33023208	1	WASHER M8 UNI6592 10 PCS SET	
04	L08603192	6	Skruer	[1]
05	L08603377	1	Screw Plated Kb60X25	[1]
06	L08603668	4	Screw	
07	L08812276	1	Styregreb F.Ba450/530	[2]
08	L08812279	2	Clamp Ba450/530	
09	L08812280	1	Kontaktplade Ba450/530 Bageste	[2]
10	L08812281	1	Switch Housing, Front Ba450/530	[2]
11	L08812282	2	Cam Controller Ba450/530	
12	L08812316	1	Distance Sleeve Ba450/530	[2]
13	L08604077	1	Skruer M4X10 PAN HD PHIL ISO7045	[3]
14	909 6038 000	1	Gaffel Potentiometer Ba450/530	
15	L08812337	4	Plastic Washer Ba450/530	[1]
16	L08812341	1	Screw Ba450/530	[2]
17	L08812343	2	Spring Ba450/530	[3]
18	L08812421	5	Tapping Screw Ba450/530	[3]

Part Notes:

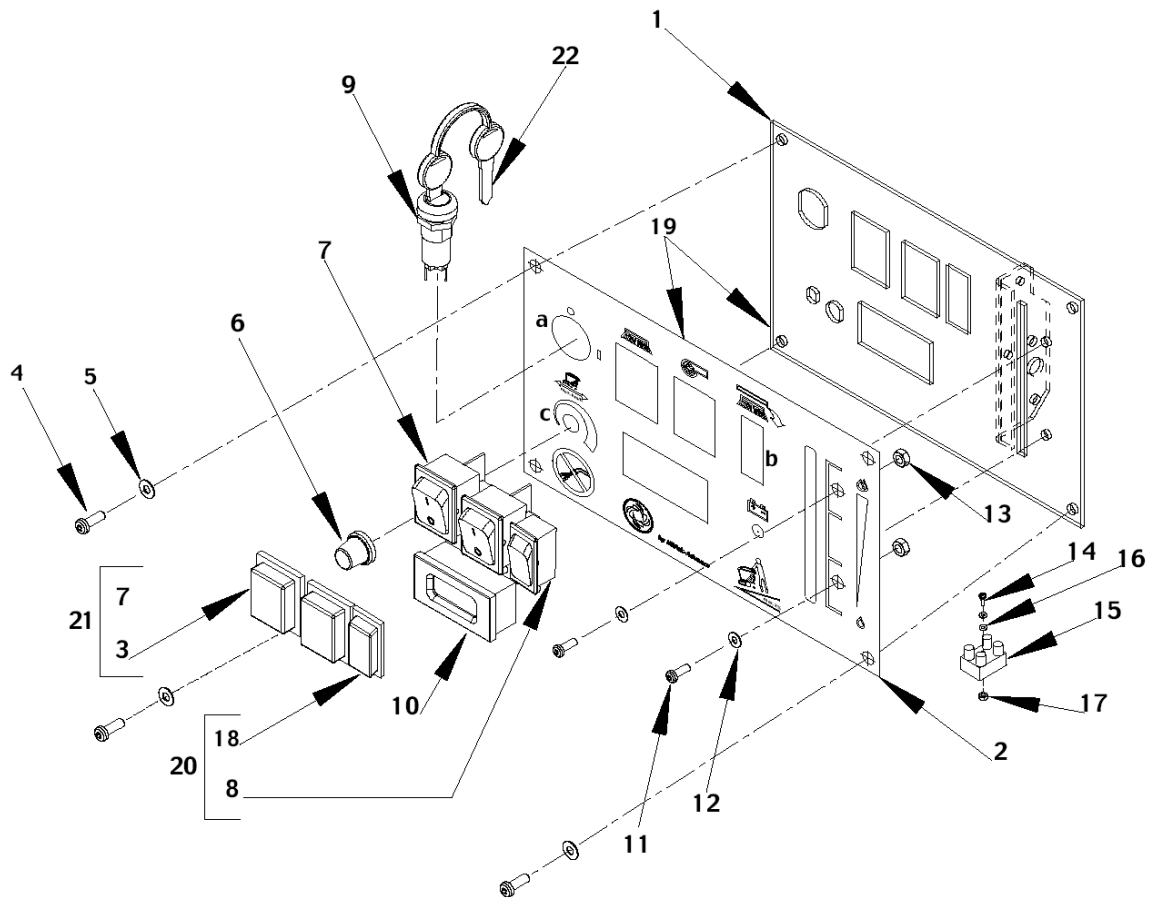
- [1] - STOCK COVERS GUARANTEE
- [2] - GUARANTEE DATE EXPIRED
- [3] - NO LONGER AVAILABLE



Pos.	Vare-nr	Antal	Beskrivelse	Notes
01	L08200800	4	Skive M4 Rustfri Stål Uni6592	
02	L08600168	1	BLOCK CABLE FIXING	
03	33023208	1	WASHER M8 UNI6592 10 PCS SET	
04	L08603192	1	Skruer	[1]
05	L08603377	1	Screw Plated Kb60X25	[1]
06	L08603668	2	Screw	
07	L08812276	1	Styregreb F.Ba450/530	[2]
08	L08812279	2	Clamp Ba450/530	
09	L08812280	1	Kontaktplade Ba450/530 Bageste	[2]
10	L08812281	1	Switch Housing, Front Ba450/530	[2]
11	L08812282	1	Cam Controller Ba450/530	
12	L08812316	1	Distance Sleeve Ba450/530	[2]
15	L08812337	4	Plastic Washer Ba450/530	[1]
16	L08812341	1	Screw Ba450/530	[2]
17	L08812343	2	Spring Ba450/530	[3]
18	L08812421	5	Tapping Screw Ba450/530	[3]

Part Notes:

- [1] - STOCK COVERS GUARANTEE
- [2] - GUARANTEE DATE EXPIRED
- [3] - NO LONGER AVAILABLE



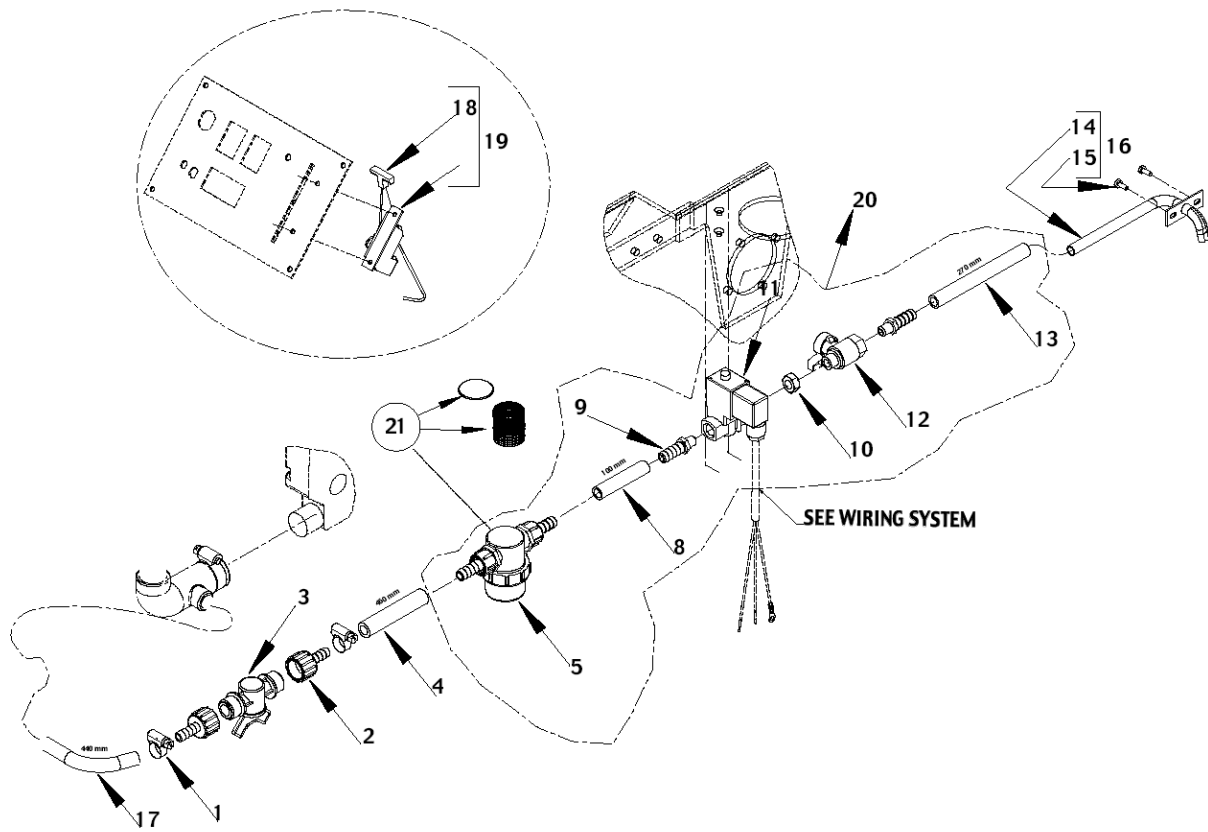
Resource notes:

pos.19 :L08812522 for drive machines pos.19 :L08812523 for machines without traction

Pos.	Vare-nr	Antal	Beskrivelse	Notes
01	L08812288	1	Board	[1]
02	L08812359	1	Decal Control Panel W/T	[1]
03	L08603193	2	Ramme F.Kontakt F. Ca340	[2]
04	L08812804	4	SCREW 3.9X12 PHIL W/O BIT THD FORM F PLA	[1]
05	L08200800	4	Skive M4 Rustfri Stål Uni6592	
06	L08602062	1	Knop	[3]
07	909 5667 000	2	Kontakt Kpl.	[2]
08	L08603944	1	SWITCH	[1]
09	L08812604	1	Nøgleafbryder Ba450/530	
10	L08812350	1	Timetæller 24V	[4]
11	L08604077	2	Skruer M4X10 PAN HD PHIL ISO7045	[3]
12	33023198	2	WASHER PLAIN M4 ISO7089 10 PCS SET	
13	33005500	2	NUT HEX M4 MEDIUM ISO4032	
14	L08603705	1	SCREW M3X25 PAN HD PHIL ISO7045	[1]
15	L08812062	1	BOARD TERMINAL 2 ELEMENT	[1]
16	33005862	2	WASHER SERR. EXT. M4 DIN6798-A	
17	33005499	1	NUT HEX M3 MEDIUM ISO4032	[1]
18	L08603945	1	PROTECTION CAP	[3]
19	L08812522	1	SWITCH PANEL WITH DECAL	[1]
19	L08812523	1	SWITCH PANEL WITH DECAL	[1]
20	L08603950	1	Switch W/Protection Kit	[1]
21	909 5667 000	1	Kontakt Kpl.	[2]
22	909 5100 000	1	Nøgle Ba530	

Part Notes:

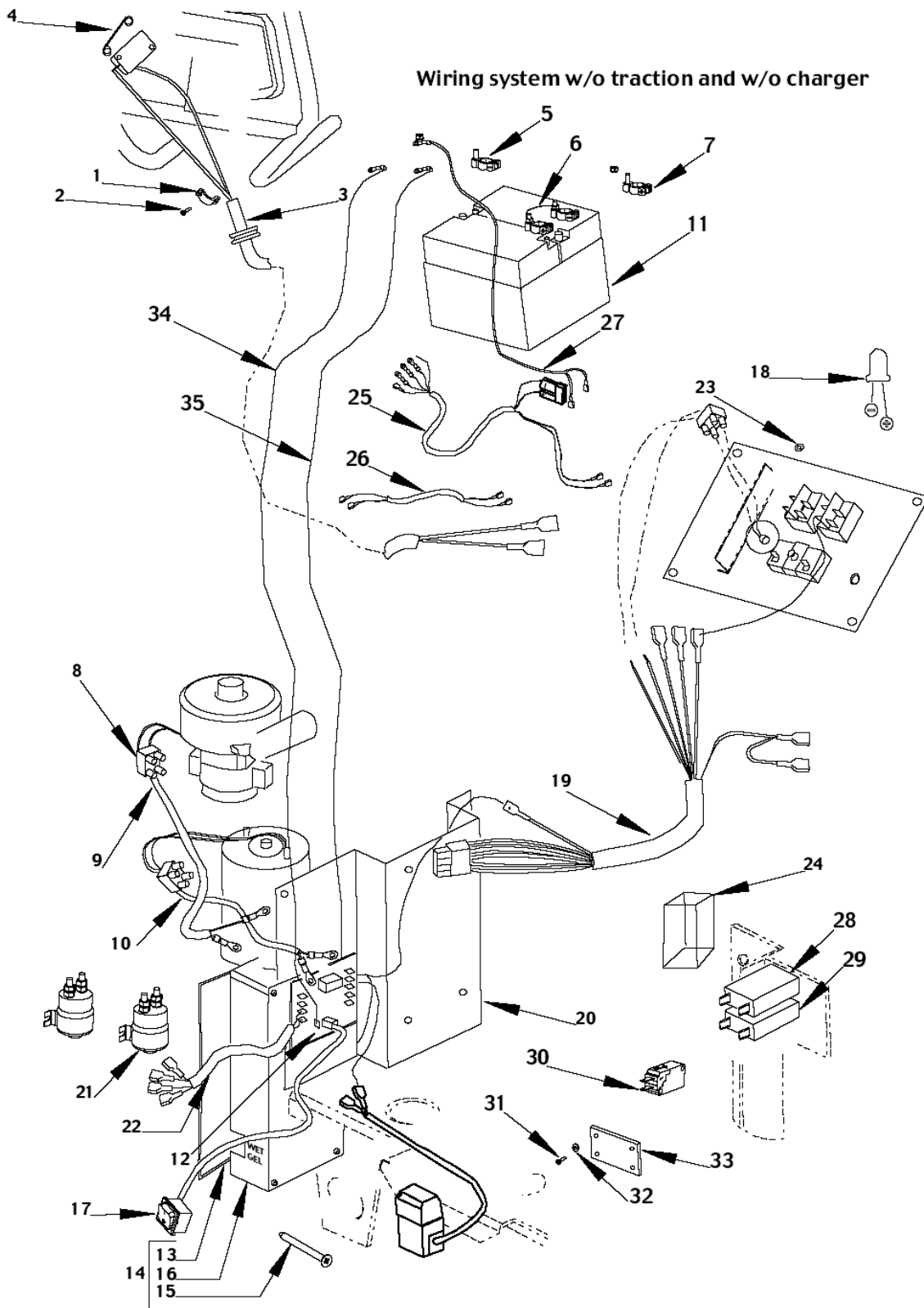
- [1] - GUARANTEE DATE EXPIRED
- [2] - STOCK COVERS GUARANTEE
- [3] - NO LONGER AVAILABLE
- [4] - NOT FOR SALE VIA EDC



Pos.	Vare-nr	Antal	Beskrivelse	Notes
01	1466344000	2	TIE CABLE 4.8X200 BLACK 10 PCS SET	
02	909 5022 000	2	Holder, Gummi	[1]
03	909 5023 000	1	Ventil Ba450-610	[1]
04	909 5028 000	1	Slange Vandtilførsel Ba530	[2]
05	9097166000	1	Filter Complete Kit	
08	909 5026 000	1	Slange, D 10 L=100 mm	
09	L08601624	2	Slangestuds Plast	
10	L08812257	1	Locknut Ba450/530	[2]
11	909 5290 000	1	Magnetventil 24V F/BA 450/530/610D	[1]
12	L08812427	1	Magnetventil	[2]
13	L08603854	1	Slange D.10 L=270	[2]
14	L08812326	1	Tube	[3]
15	146 0632 000	2	SCREW M4X8 HEX HD F/THD ISO4017	[2]
16	L08812490	1	Tube Cpl. F.Ba450/530	[2]
17	909 5027 000	1	Slange, Rentvand Ba450-610	[1]
18	L08603790	1	Knob (Handle For Water Control	[1]
19	L08603791	1	Håndtagskit, Vandreg.	[1]
20	909 5035 000	1	Magn.Ventil Kit Ba450-610	[1]
20	L08812484	1	Magnetventil Ba450/530 Kompl. M/Filter	[2]
21	L08603893	1	Filternet+Pakn. Til 909 5151 000	

Part Notes:

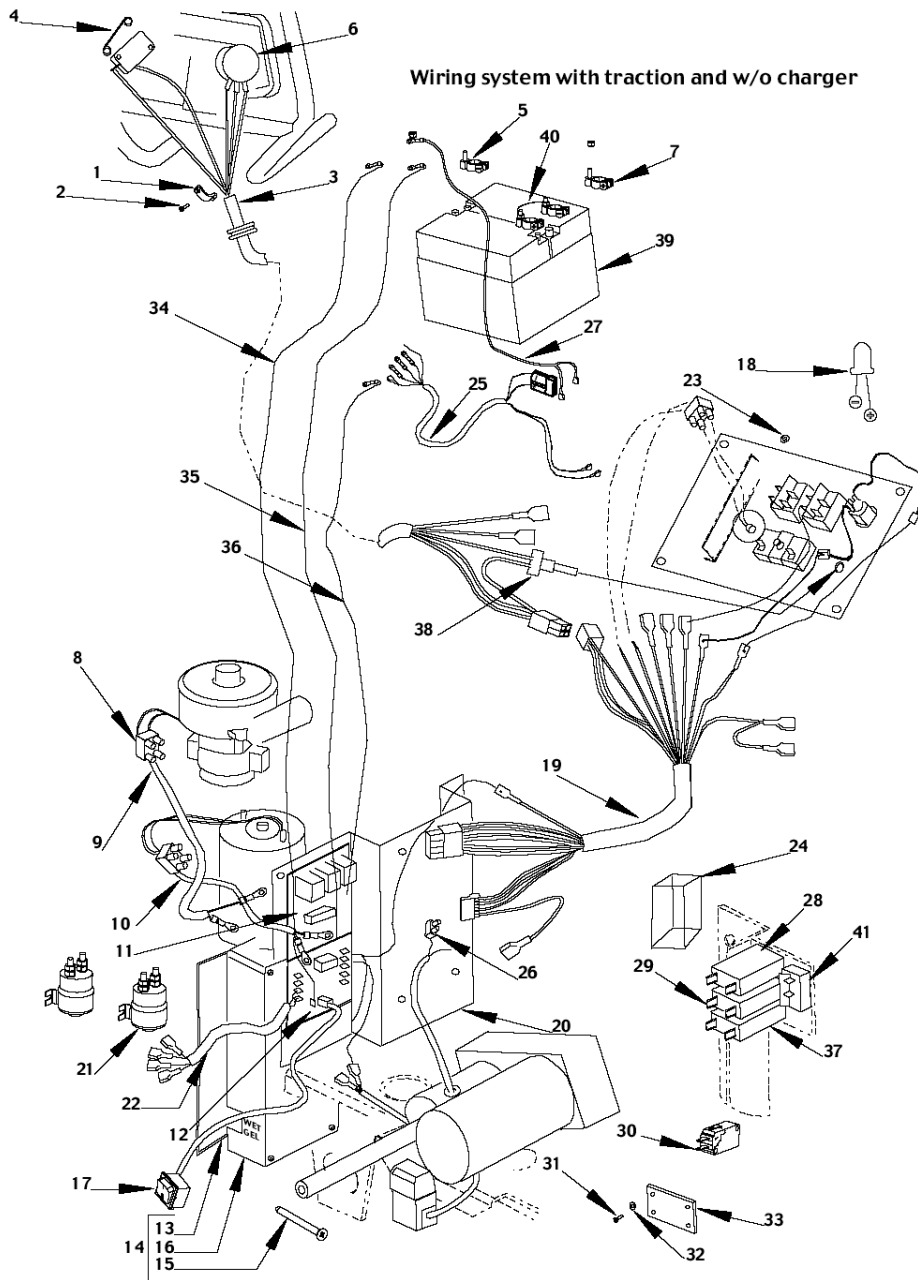
- [1] - STOCK COVERS GUARANTEE
- [2] - GUARANTEE DATE EXPIRED
- [3] - NO LONGER AVAILABLE



Pos.	Vare-nr	Antal	Beskrivelse	Notes
01	L08600168	1	BLOCK CABLE FIXING	
02	L08603192	2	Skrue	[1]
03	L08812445	1	CABLE SWITCH HOUSING	[2]
04	1466509000	1	CONTACT F MICROSWITCH SIP	
05	9100000883	2	CLAMP BATTERY MINUS 2 PCS SET	
06	L08812060	1	CABLE.BATTERY BRIDGE	[2]
07	9100000882	2	CLAMP BATTERY PLUS 2 PCS SET	
08	L08187300	3	BOARD TERMINAL 2 ELEMENT	[2]
09	L08812397	1	HARNESS VAC.MOT/EL.CARD	[3]
10	L08603710	1	HARNESS BRUSH MOT/EL.CARD	
11	L08812758	1	Battery Container	[4]
12	1466209000	1	CARD ELECTRONIC PKD	[1]
14	L08812625	1	Cover Cpl	[2]
15	L08812444	4	Skrue M4X70 Uni7687	[2]
16	9099432000	1	COVER ELECTRICAL BOX KIT	[1]
17	L08812574	1	Kabel	[2]
18	L08812061	1	Led Ba450/530	[2]
19	L08812386	1	CABLE	
20	L08812289	1	SUPPORT FOR ELECTRONIC	[2]
21	145 0300 000	2	Kontakt, 24V 120A	
22	L08603716	1	HARNESS COIL/EL.CARD	
23	L08812801	1	SPACER 4.3X10 H.4 PLAST.	[2]
24	L08812577	1	Saftey Cover	[2]
25	L08812407	1	CABLE WITH BATTERY PLUG	
26	L08603713	1	CABLE FUSES	
27	L08812394	1	HARNESS FUSES/BATTERY -	[5]
28	L08812389	1	Termosikring 25 A	[2]
29	909 5706 000	1	Sikring 30A	
30	L08812294	1	Micro Switch Ba450/530	[2]
31	L08093600	4	SCREW M3X16 PAN HD PHIL ISO7045	[1]
32	33005910	4	WASHER PLAIN M3X7 ISO7089	
33	L08812575	1	INSULATION PANEL	[2]
34	L08812401	1	STRAND RED	[6]
35	L08812402	1	STRAND BLACK	[2]

Part Notes:

- [1] - STOCK COVERS GUARANTEE
- [2] - GUARANTEE DATE EXPIRED
- [3] - TSB 2004-015
- [4] - NO LONGER AVAILABLE
- [5] - SEE TSB 2004-15
- [6] - SEE TSB 2004-015



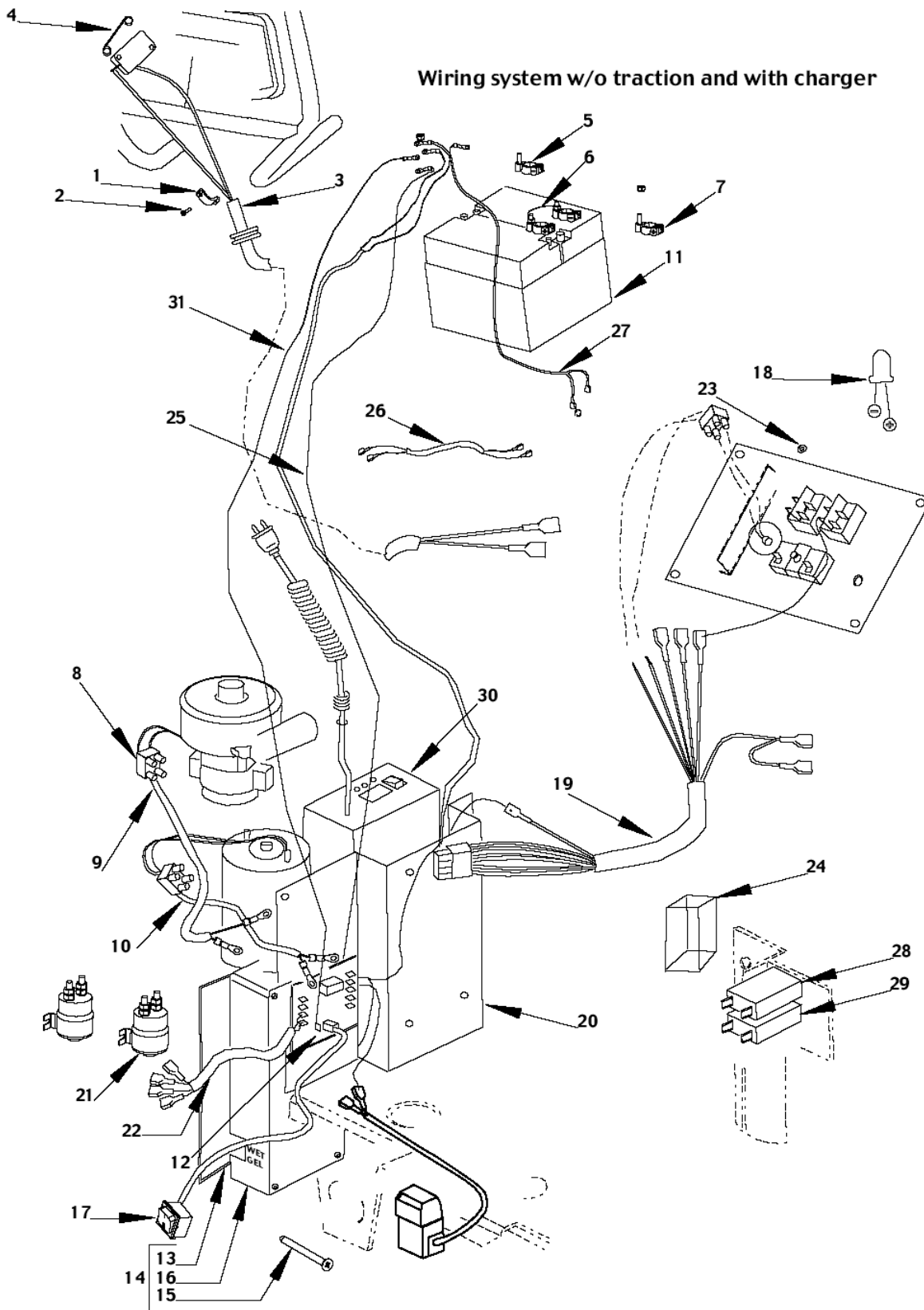
Resource notes:

Note:

Pos.	Vare-nr	Antal	Beskrivelse	Notes
01	L08600168	1	BLOCK CABLE FIXING	
02	L08603192	2	Skruer	[1]
03	L08812379	1	Ledningskit Ba450/530	[2]
04	1466509000	1	CONTACT F MICROSWITCH SIP	
05	9100000883	2	CLAMP BATTERY MINUS 2 PCS SET	
06	L08812292	1	Potentiometer	
07	9100000882	2	CLAMP BATTERY PLUS 2 PCS SET	
08	L08187300	3	BOARD TERMINAL 2 ELEMENT	[3]
09	L08812397	1	HARNES VAC.MOT/EL.CARD	[4]
10	L08603710	1	HARNES BRUSH MOT/EL.CARD	
11	1466208000	1	CONTROLLER DRIVE WHEEL SIP	[1]
12	1466209000	1	CARD ELECTRONIC PKD	[1]
14	L08812625	1	Cover Cpl	[3]
15	L08812444	4	Skruer M4X70 Uni7687	[3]
16	9099432000	1	COVER ELECTRICAL BOX KIT	[1]
17	L08812574	1	Kabel	[3]
18	L08812061	1	Led Ba450/530	[3]
19	L08812599	1	HARNES MACHINE	
20	L08812289	1	SUPPORT FOR ELECTRONIC	[3]
20	909 5068 000	1	SUPPORT ELECTR.CARD SS	[3]
21	145 0300 000	2	Kontakt, 24V 120A	
22	L08603716	1	HARNES COIL/EL.CARD	
23	L08812801	1	SPACER 4.3X10 H.4 PLAST.	[3]
24	L08812577	1	Safety Cover	[3]
25	L08812407	1	CABLE WITH BATTERY PLUG	
26	L08812470	1	BOARD TERMINAL.1 STUD	[3]
27	L08812394	1	HARNES FUSES/BATTERY -	[5]
28	L08812389	1	Termosikring 25 A	[3]
29	909 5706 000	1	Sikring 30A	
30	L08812294	1	Micro Switch Ba450/530	[3]
31	L08093600	4	SCREW M3X16 PAN HD PHIL ISO7045	[1]
32	33005910	4	WASHER PLAIN M3X7 ISO7089	
33	L08812575	1	INSULATION PANEL	[3]
34	L08812401	1	STRAND RED	[6]
35	L08812402	1	STRAND BLACK	[3]
36	L08812400	1	STRAND BLACK	
37	L08812872	1	Termosikring 15 A	[3]
38	L08812371	1	Potentiometer	
39	L08812758	1	Battery Container	[2]
40	L08812060	1	CABLE.BATTERY BRIDGE	[3]
41	909 5667 000	1	Kontakt Kpl.	[1]

Part Notes:

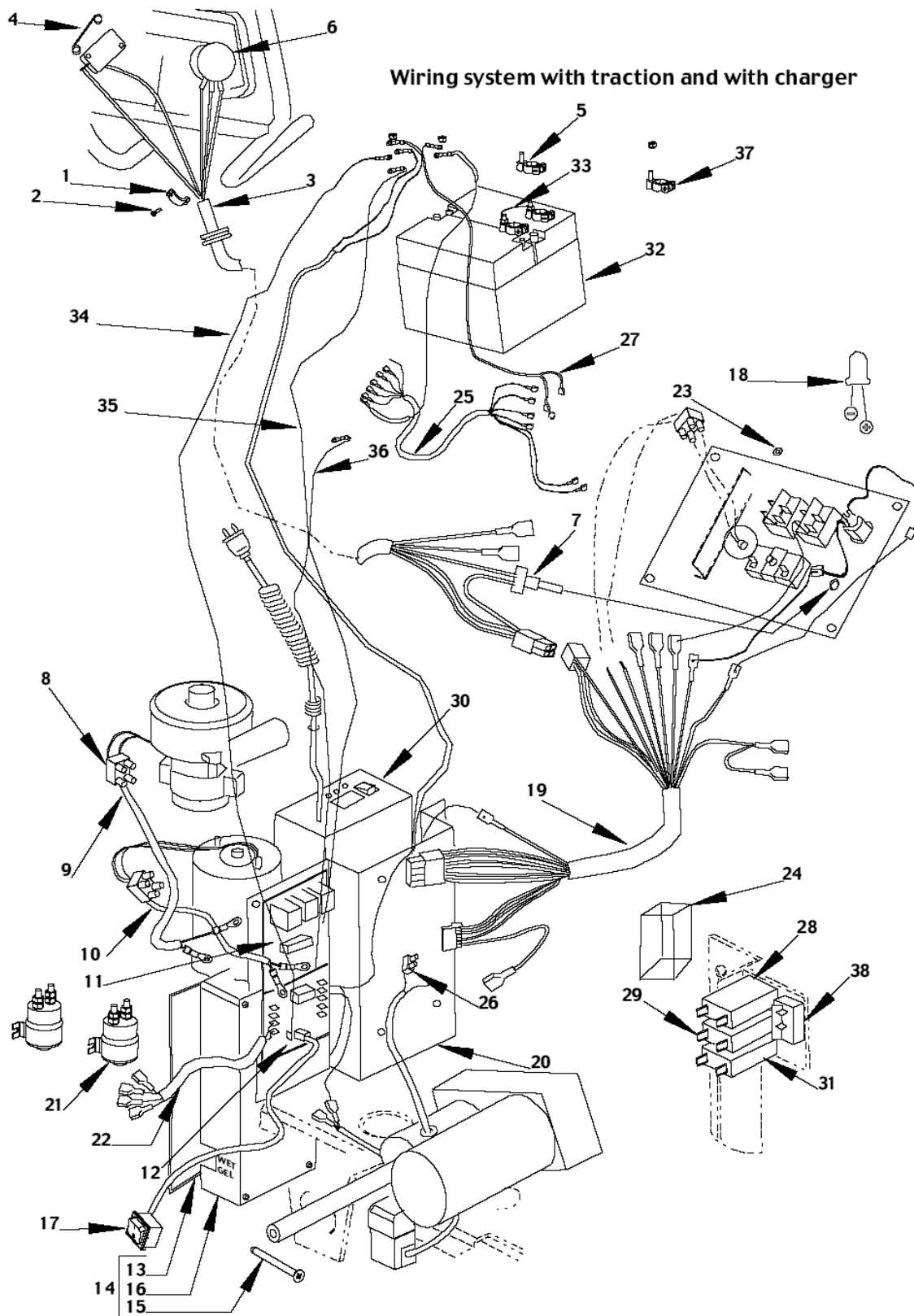
- [1] - STOCK COVERS GUARANTEE
- [2] - NO LONGER AVAILABLE
- [3] - GUARANTEE DATE EXPIRED
- [4] - TSB 2004-015
- [5] - SEE TSB 2004-15
- [6] - SEE TSB 2004-015



Pos.	Vare-nr	Antal	Beskrivelse	Notes
01	L08600168	1	BLOCK CABLE FIXING	
02	L08603192	2	Skrue	[1]
03	L08812445	1	CABLE SWITCH HOUSING	[2]
04	1466509000	1	CONTACT F MICROSWITCH SIP	
05	9100000883	2	CLAMP BATTERY MINUS 2 PCS SET	
06	L08812060	1	CABLE.BATTERY BRIDGE	[2]
07	9100000882	2	CLAMP BATTERY PLUS 2 PCS SET	
08	L08187300	3	BOARD TERMINAL 2 ELEMENT	[2]
09	L08812397	1	HARNESS VAC.MOT/EL.CARD	[3]
10	L08603710	1	HARNESS BRUSH MOT/EL.CARD	
11	L08812758	1	Battery Container	[4]
12	1466209000	1	CARD ELECTRONIC PKD	[1]
14	L08812625	1	Cover Cpl	[2]
15	L08812444	1	Skrue M4X70 Uni7687	[2]
16	9099432000	1	COVER ELECTRICAL BOX KIT	[1]
17	L08812574	1	Kabel	[2]
18	L08812061	1	Led Ba450/530	[2]
19	L08812599	1	HARNESS MACHINE	
20	L08812289	1	SUPPORT FOR ELECTRONIC	[2]
21	145 0300 000	2	Kontakt, 24V 120A	
22	L08603716	1	HARNESS COIL/EL.CARD	
23	L08812801	1	SPACER 4.3X10 H.4 PLAST.	[2]
24	L08812577	1	Safy Cover	[2]
25	L08812402	1	STRAND BLACK	[2]
26	L08603713	1	CABLE FUSES	
27	L08812394	1	HARNESS FUSES/BATTERY -	[5]
28	L08812389	1	Termosikring 25 A	[2]
29	909 5706 000	1	Sikring 30A	
30	L08812821	1	Lader Indbygning BA 450/530/610/430S/510	[2]
31	L08812401	1	STRAND RED	[6]

Part Notes:

- [1] - STOCK COVERS GUARANTEE
- [2] - GUARANTEE DATE EXPIRED
- [3] - TSB 2004-015
- [4] - NO LONGER AVAILABLE
- [5] - SEE TSB 2004-15
- [6] - SEE TSB 2004-015



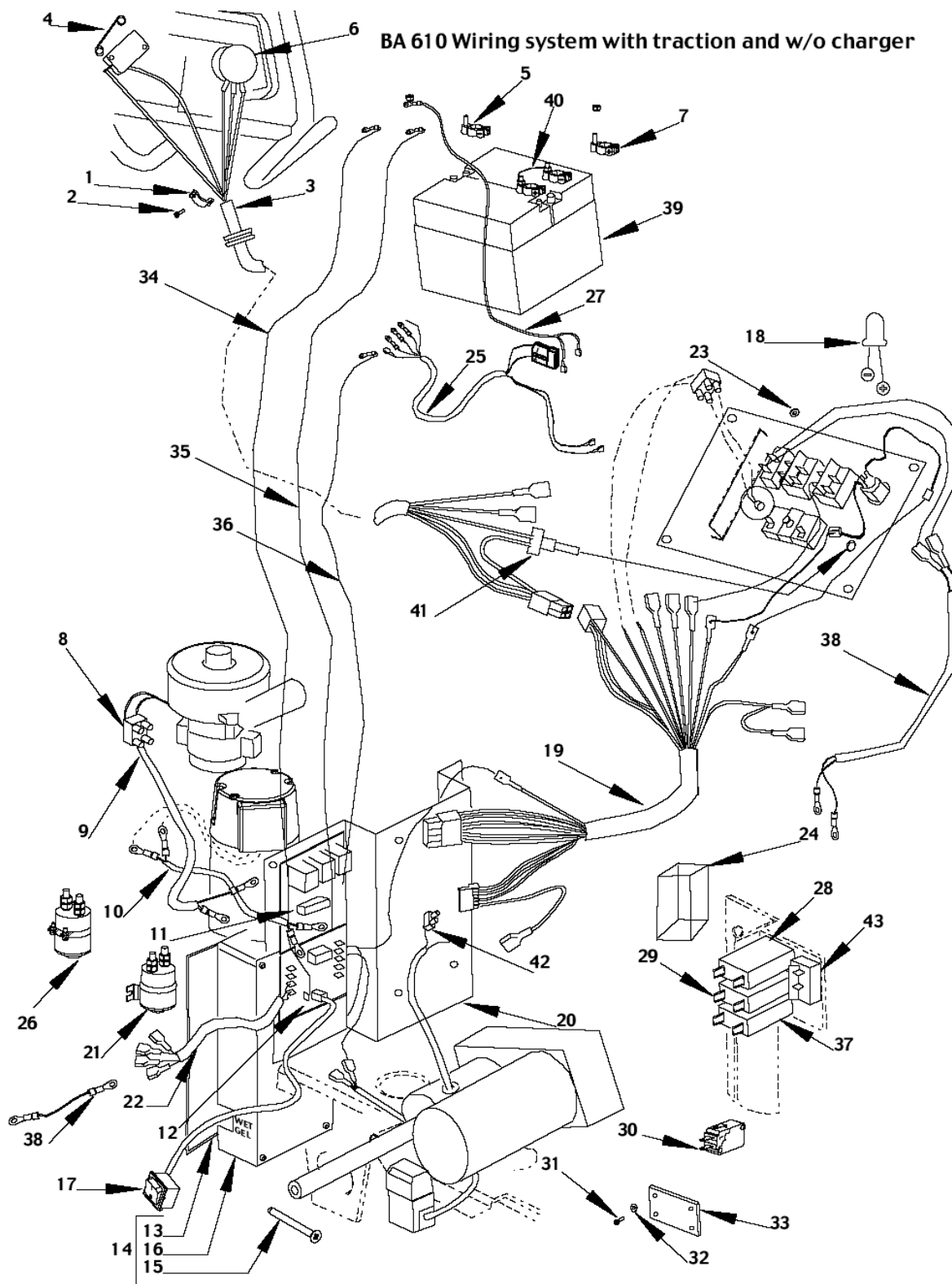
Resource notes:

Note:

Pos.	Vare-nr	Antal	Beskrivelse	Notes
01	L08600168	1	BLOCK CABLE FIXING	
02	L08603192	2	Skruer	[1]
03	L08812379	1	Ledningskit Ba450/530	[2]
04	1466509000	1	CONTACT F MICROSWITCH SIP	
05	9100000883	2	CLAMP BATTERY MINUS 2 PCS SET	
06	L08812292	1	Potentiometer	
07	L08812371	1	Potentiometer	
08	L08187300	3	BOARD TERMINAL 2 ELEMENT	[3]
09	L08812397	1	HARNES VAC.MOT/EL.CARD	[4]
10	L08603710	1	HARNES BRUSH MOT/EL.CARD	
11	1466208000	1	CONTROLLER DRIVE WHEEL SIP	[1]
12	1466209000	1	CARD ELECTRONIC PKD	[1]
14	L08812625	1	Cover Cpl	[3]
15	L08812444	4	Skruer M4X70 Uni7687	[3]
16	9099432000	1	COVER ELECTRICAL BOX KIT	[1]
17	L08812574	1	Kabel	[3]
18	L08812061	1	Led Ba450/530	[3]
19	L08812599	1	HARNES MACHINE	
20	L08812289	1	SUPPORT FOR ELECTRONIC	[3]
21	145 0300 000	2	Kontakt, 24V 120A	
22	L08603716	1	HARNES COIL/EL.CARD	
23	L08812801	1	SPACER 4.3X10 H.4 PLAST.	[3]
24	L08812577	1	Safety Cover	[3]
25	L08603712	1	HARNES FUSES/EL.CARD W/T	
26	L08812470	1	BOARD TERMINAL.1 STUD	[3]
27	L08812394	1	HARNES FUSES/BATTERY -	[5]
28	L08812389	1	Termosikring 25 A	[3]
29	909 5706 000	1	Sikring 30A	
30	L08812821	1	Lader Indbygning BA 450/530/610/430S/510	[3]
31	L08812872	1	Termosikring 15 A	[3]
32	L08812758	1	Battery Container	[2]
33	L08812060	1	CABLE.BATTERY BRIDGE	[3]
34	L08812401	1	STRAND RED	[6]
35	L08812402	1	STRAND BLACK	[3]
36	L08812400	1	STRAND BLACK	
37	9100000882	2	CLAMP BATTERY PLUS 2 PCS SET	
38	909 5667 000	1	Kontakt Kpl.	[1]

Part Notes:

- [1] - STOCK COVERS GUARANTEE
- [2] - NO LONGER AVAILABLE
- [3] - GUARANTEE DATE EXPIRED
- [4] - TSB 2004-015
- [5] - SEE TSB 2004-15
- [6] - SEE TSB 2004-015



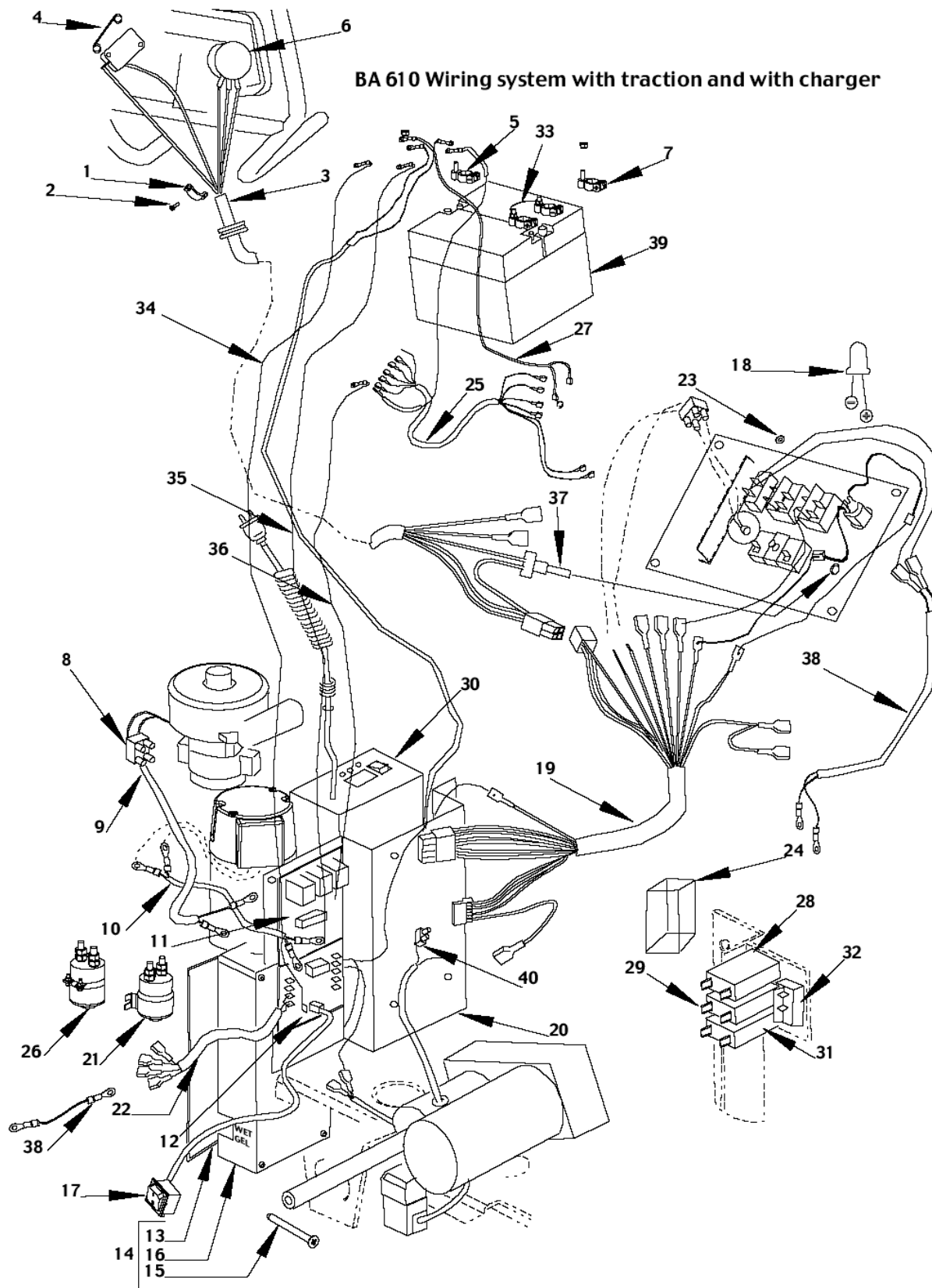
Resource notes:

Note:

Pos.	Vare-nr	Antal	Beskrivelse	Notes
01	L08600168	1	BLOCK CABLE FIXING	
02	L08603192	2	Skruer	[1]
03	L08812379	1	Ledningskit Ba450/530	[2]
04	1466509000	1	CONTACT F MICROSWITCH SIP	
05	9100000883	1	CLAMP BATTERY MINUS 2 PCS SET	
06	L08812292	1	Potentiometer	
07	9100000882	2	CLAMP BATTERY PLUS 2 PCS SET	
08	L08187300	3	BOARD TERMINAL 2 ELEMENT	[3]
09	L08812397	1	HARNES VAC.MOT/EL.CARD	[4]
10	909 5013 000	1	HARNES BRUSH MOTOR	[3]
11	1466208000	1	CONTROLLER DRIVE WHEEL SIP	[1]
12	1466209000	1	CARD ELECTRONIC PKD	[1]
14	L08812625	1	Cover Cpl	[3]
15	L08812444	4	Skruer M4X70 Uni7687	[3]
16	9099432000	1	COVER ELECTRICAL BOX KIT	[1]
17	L08812574	1	Kabel	[3]
18	L08812061	1	Led Ba450/530	[3]
19	L08812599	1	HARNES MACHINE	
20	L08812289	1	SUPPORT FOR ELECTRONIC	[3]
21	145 0300 000	1	Kontakt, 24V 120A	
22	L08603716	1	HARNES COIL/EL.CARD	
23	L08812801	1	SPACER 4.3X10 H.4 PLAST.	[3]
24	L08812577	1	Safety Cover	[3]
25	L08812407	1	CABLE WITH BATTERY PLUG	
26	L08603934	1	Relé,24V/80A	[3]
27	L08812394	1	HARNES FUSES/BATTERY -	[5]
28	L08812389	1	Termosikring 25 A	[3]
29	909 5706 000	1	Sikring 30A	
30	L08812294	1	Micro Switch Ba450/530	[3]
31	L08093600	4	SCREW M3X16 PAN HD PHIL ISO7045	[1]
32	33005910	4	WASHER PLAIN M3X7 ISO7089	
33	L08812575	1	INSULATION PANEL	[3]
34	L08812401	1	STRAND RED	[6]
35	L08812402	1	STRAND BLACK	[3]
36	L08812400	1	STRAND BLACK	
37	L08812872	1	Termosikring 15 A	[3]
38	L08603928	1	HARNES CLICK-OFF	[3]
39	L08812758	1	Battery Container	[2]
40	L08812060	1	CABLE.BATTERY BRIDGE	[3]
41	L08812371	1	Potentiometer	
42	L08812470	1	BOARD TERMINAL.1 STUD	[3]
43	909 5667 000	1	Kontakt Kpl.	[1]

Part Notes:

- [1] - STOCK COVERS GUARANTEE
- [2] - NO LONGER AVAILABLE
- [3] - GUARANTEE DATE EXPIRED
- [4] - TSB 2004-015
- [5] - SEE TSB 2004-15
- [6] - SEE TSB 2004-015

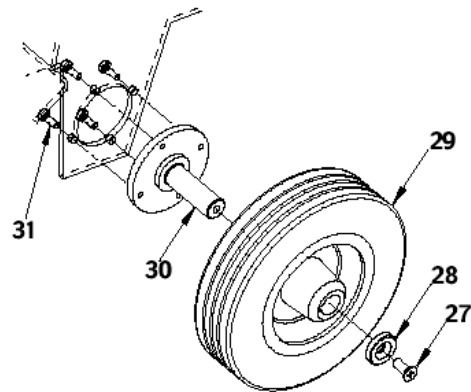


Pos.	Vare-nr	Antal	Beskrivelse	Notes
00	L08812880	1	SWITCH ELECTROMAGNETIC FOR VAC MOTOR KIT	[1]
00	L08812882	1	Printkort Kompl.	[2]
01	L08600168	1	BLOCK CABLE FIXING	
02	L08603192	2	Skruer	[3]
03	L08812379	1	Ledningskit Ba450/530	[2]
04	1466509000	1	CONTACT F MICROSWITCH SIP	
05	9100000883	2	CLAMP BATTERY MINUS 2 PCS SET	
06	L08812292	1	Potentiometer	
07	9100000882	2	CLAMP BATTERY PLUS 2 PCS SET	
08	L08187300	3	BOARD TERMINAL 2 ELEMENT	[1]
09	L08812397	1	HARNESS VAC.MOT/EL.CARD	[4]
10	909 5013 000	1	HARNESS BRUSH MOTOR	[1]
11	1466208000	1	CONTROLLER DRIVE WHEEL SIP	[3]
12	1466209000	1	CARD ELECTRONIC PKD	[3]
14	L08812625	1	Cover Cpl	[1]
15	L08812444	4	Skruer M4X70 Uni7687	[1]
16	9099432000	1	COVER ELECTRICAL BOX KIT	[3]
17	L08812574	1	Kabel	[1]
18	L08812061	1	Led Ba450/530	[1]
19	L08812599	1	HARNESS MACHINE	
20	L08812289	1	SUPPORT FOR ELECTRONIC	[1]
21	145 0300 000	1	Kontakt, 24V 120A	
22	L08603716	1	HARNESS COIL/EL.CARD	
23	L08812801	1	SPACER 4.3X10 H.4 PLAST.	[1]
24	L08812577	1	Safety Cover	[1]
25	L08603712	1	HARNESS FUSES/EL.CARD W/T	
26	L08603934	1	Relé,24V/80A	[1]
27	L08812394	1	HARNESS FUSES/BATTERY -	[5]
28	L08812389	1	Termosikring 25 A	[1]
29	909 5706 000	1	Sikring 30A	
30	L08812821	1	Lader Indbygning BA 450/530/610/430S/510	[1]
31	L08812872	1	Termosikring 15 A	[1]
32	909 5667 000	1	Kontakt Kpl.	[3]
33	L08812060	1	CABLE.BATTERY BRIDGE	[1]
34	L08812401	1	STRAND RED	[6]
35	L08812402	1	STRAND BLACK	[1]
36	L08812400	1	STRAND BLACK	
37	L08812371	1	Potentiometer	
38	L08603928	1	HARNESS CLICK-OFF	[1]
39	L08812758	1	Battery Container	[2]
40	L08812470	1	BOARD TERMINAL.1 STUD	[1]

Part Notes:

- [1] - GUARANTEE DATE EXPIRED
- [2] - NO LONGER AVAILABLE
- [3] - STOCK COVERS GUARANTEE
- [4] - TSB 2004-015
- [5] - SEE TSB 2004-15
- [6] - SEE TSB 2004-015

BA 450/530 without traction



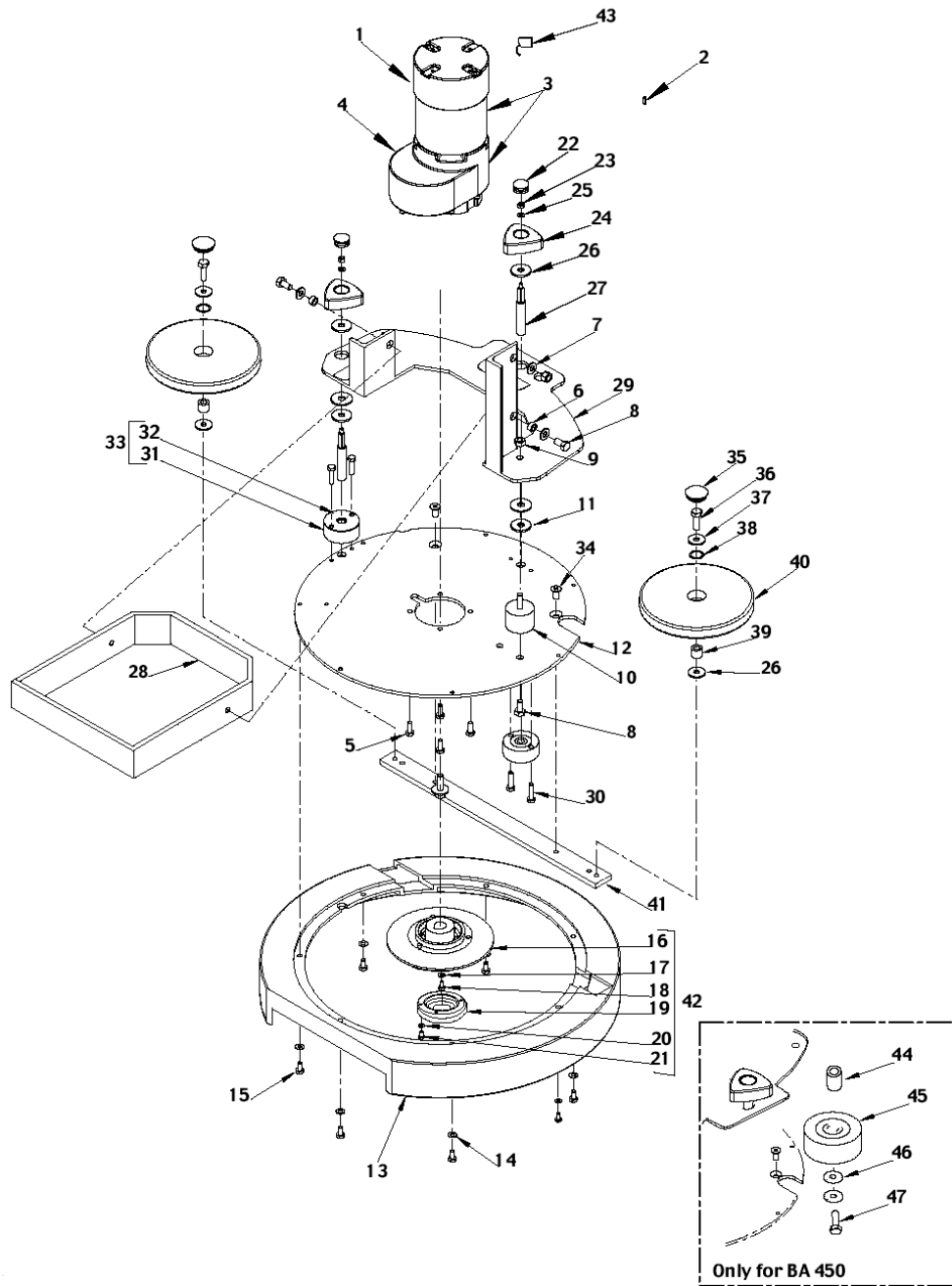
Resource notes:

Note: Pos No.0 means "Not shown"

Pos.	Vare-nr	Antal	Beskrivelse	Notes
27	L08812446	2	SCREW M8X20 C/SUNK PHIL ISO7046 SCOTCH-G	[1]
28	9100002136	1	WASHER COUNTERSUNK 9X30 H.6 - 2 PCS SET	
29	L08603696	2	Standard Wheel Non Drive Standard Wheel	[2]
30	L08812244	2	HUB.REAR WHEEL	[1]
31	L08600757	4	Hexagonal Screw M 6X16 Vz F.Ba450/530	[1]

Part Notes:

- [1] - GUARANTEE DATE EXPIRED
- [2] - STOCK COVERS GUARANTEE



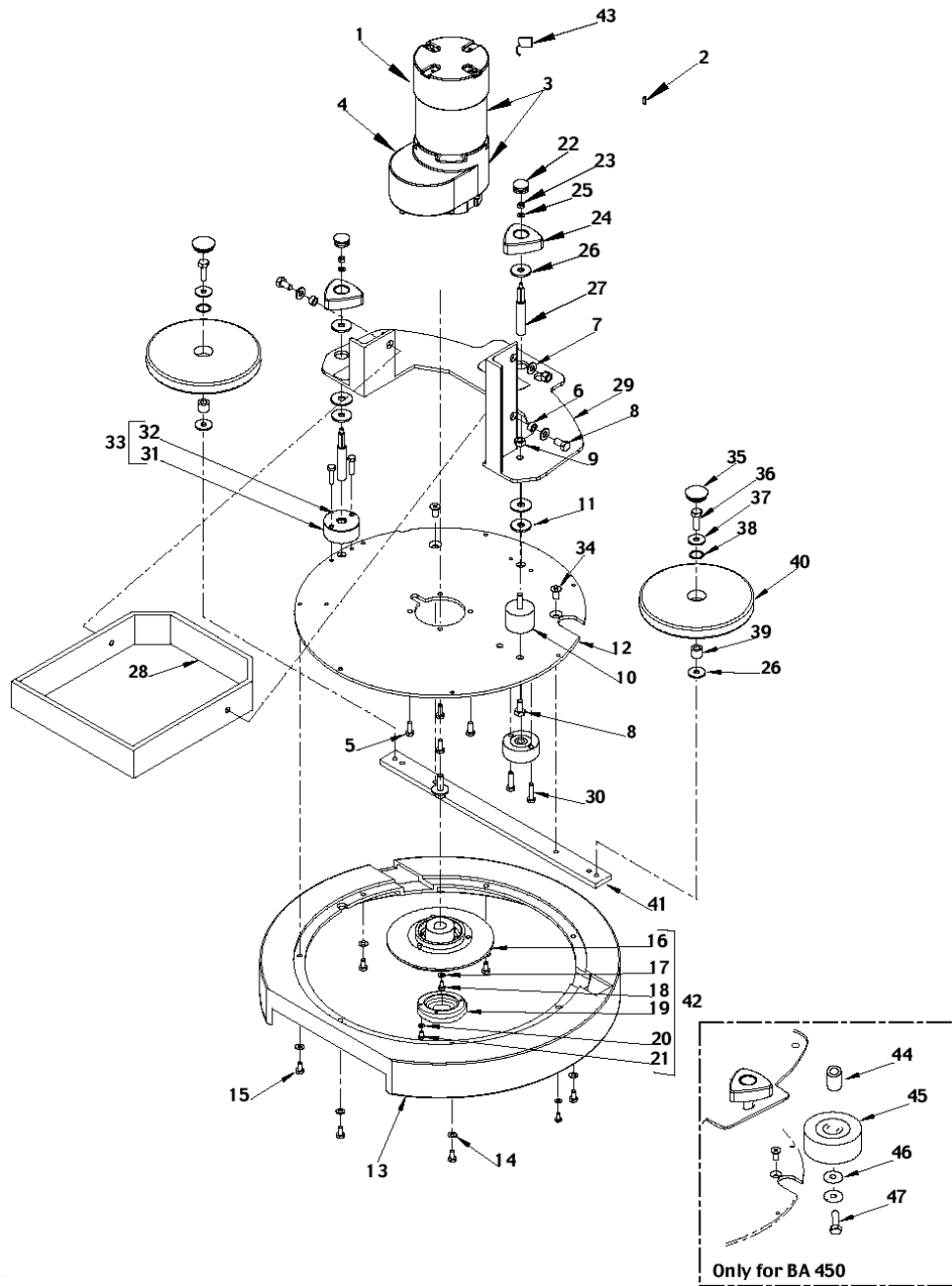
Resource notes:

Note: Pos No.0 means "Not shown"

Pos.	Vare-nr	Antal	Beskrivelse	Notes
00	9099671000	1	Rondelholder 20" Ø508 mm Velcro	
1	9097114000	1	Motor Electric 520W 24V	
2	1466147000	1	KEY 5X5X20 UNI6604A PKD	
3	909 5507 000	1	Børstemotor Kompl.510/530	
4	9099851000	1	REDUCTION GEAR	
5	L08600757	4	Hexagonal Screw M 6X16 Vz F.Ba450/530	[1]
6	L08812325	4	Sleeve Ba450/530	
7	33023208	4	WASHER M8 UNI6592 10 PCS SET	
8	L08274300	5	Screw Ba450/530	[2]
9	33005504	1	Møtrik M8 Uni5588	
10	9100000868	1	VIBRATION DAMPING M8 60SH 2 PCS SET	
11	L08812719	1	Pakning 9X28X3 Ba450/530	[1]
12	L08812205	1	PLATE.BRUSH HOLDER	[1]
13	L08812206	1	Brush Cover Ba450/530	[1]
14	1466530000	7	WASHER PLAIN M6X18 ISO7093 10 PCS SET	
15	L08326100	7	SCREW M6X12 HEX HD ISO4017 SCOTCH-GRIP	[3]
16	L08812306	1	Polyg. Flange Ba450/530	
17	145 9171 000	1	Pakning 8X32X2,5	
18	33003996	1	Screw Te 8X30	
19	L08812480	1	Polyg. Holder Ba450/530	
20	L08353300	3	WASHER NORD LOCK M6 DIN25201	[2]
21	909 5056 000	3	SCREW M6X20 CAP HD HEX SS ISO4762 SCOTCH	[1]
22	L08812426	2	Plug Ba450/530	
23	33023655	2	NUT HEX M5 MEDIUM ISO4032 10PCS.SET	[3]
24	L08812203	2	Knob Ba450/530	
25	L08812719	4	Pakning 9X28X3 Ba450/530	[1]
26	L08812718	2	Skive, Gummi Ba450/530	[2]
27	L08812706	2	Screw. Skrue	
28	L08812218	1	FRAME.BRUSH LIFTING	[1]
29	L08812221	1	Plate Ba450/530	[1]
30	L08232600	2	Screw Ba450/530	[2]
31	L08812213	2	Hjul, Pækørsel Ba450/530	
32	L08812779	1	Metalplade	
33	L08812780	1	Gummi Ophæng Komp. D	
34	L08812399	2	Countersunk Head Screw Ba450/530	[2]
35	L08812365	2	Plug Ba450/530	
36	L08367300	2	Screw M8X25, Vz Ba450/530	[1]
37	33023660	2	WASHER PLAIN M8X24X2 ISO7093 5 PCS SET	
38	L08163400	2	Afstandsring	[2]
39	909 5086 000	2	SPACER 9X15X13 SS	[4]
39	L08812384	2	SPACER D.9X15 H.13 GALV.	[1]
40	L08812204	2	Bumper Rollers Ba450/530	
41	L08812506	1	STRIP FITTING	[1]
41	909 5049 000	1	STRIP FITTING SS	[1]
42	L08812589	1	Holder Polyg./W/Flange Kit	
43	L08603850	1	Kul Kit Ba450/530/610	[3]

Part Notes:

- [1] - GUARANTEE DATE EXPIRED
- [2] - NO LONGER AVAILABLE
- [3] - STOCK COVERS GUARANTEE
- [4] - Machine pruned 09.2006
GUARANTEE DATE EXPIRED



Resource notes:

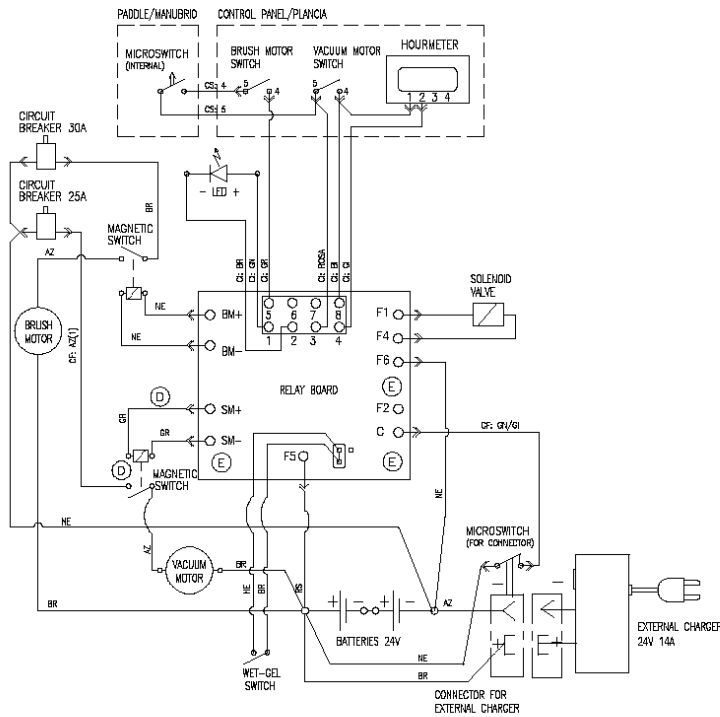
Note: Pos No.0 means "Not shown"

Pos.	Vare-nr	Antal	Beskrivelse	Notes
00	L08837017	1	Rondelholder 18" Ø450 mm	
01	9097114000	1	Motor Electric 520W 24V	
02	1466147000	1	KEY 5X5X20 UNI6604A PKD	
03	909 5507 000	1	Børstemotor Kompl.510/530	
04	9099851000	1	REDUCTION GEAR	
05	L08600757	4	Hexagonal Screw M 6X16 Vz F.Ba450/530	[1]
06	L08812325	4	Sleeve Ba450/530	
07	33023208	4	WASHER M8 UNI6592 10 PCS SET	
08	L08274300	5	Screw Ba450/530	[2]
09	33005504	1	Møtrik M8 Uni5588	
10	9100000868	1	VIBRATION DAMPING M8 60SH 2 PCS SET	
11	L08812719	1	Pakning 9X28X3 Ba450/530	[1]
12	L08812205	1	PLATE.BRUSH HOLDER	[1]
13	L08812207	1	COVER BRUSH D.425MM PLAST.	[1]
14	1466530000	7	WASHER PLAIN M6X18 ISO7093 10 PCS SET	
15	L08326100	7	SCREW M6X12 HEX HD ISO4017 SCOTCH-GRIP	[3]
16	L08812306	1	Polyg. Flange Ba450/530	
17	145 9171 000	1	Pakning 8X32X2,5	
18	33003996	1	Screw Te 8X30	
19	L08812480	1	Polyg. Holder Ba450/530	
20	L08353300	3	WASHER NORD LOCK M6 DIN25201	[2]
21	909 5056 000	3	SCREW M6X20 CAP HD HEX SS ISO4762 SCOTCH	[1]
22	L08812426	2	Plug Ba450/530	
23	33023655	2	NUT HEX M5 MEDIUM ISO4032 10PCS.SET	[3]
24	L08812203	2	Knob Ba450/530	
25	L08812719	4	Pakning 9X28X3 Ba450/530	[1]
26	L08812718	2	Skive, Gummi Ba450/530	[2]
27	L08812706	2	Screw. Skrue	
28	L08812218	1	FRAME.BRUSH LIFTING	[1]
29	L08812221	1	Plate Ba450/530	[1]
30	L08232600	2	Screw Ba450/530	[2]
31	L08812213	2	Hjul, Pækørsel Ba450/530	
32	L08812779	1	Metalplade	
33	L08812780	1	Gummi Ophæng Komp. D	
34	L08812399	2	Countersunk Head Screw Ba450/530	[2]
35	L08812365	1	Plug Ba450/530	
36	L08367300	1	Screw M8X25, Vz Ba450/530	[1]
37	33023660	1	WASHER PLAIN M8X24X2 ISO7093 5 PCS SET	
38	L08163400	1	Afstandsring	[2]
39	L08812384	1	SPACER D.9X15 H.13 GALV.	[1]
40	L08812204	1	Bumper Rollers Ba450/530	
41	L08812505	1	SUPPORT FOR DEFLECTOR	[1]
42	L08812589	1	Holder Polyg,W/Flange Kit	
43	L08603850	1	Kul Kit Ba450/530/610	[3]
44	L08602461	1	SPACER 6.8X9X26	[1]
45	L08602460	1	Wheel	
46	1466530000	2	WASHER PLAIN M6X18 ISO7093 10 PCS SET	
47	L08812504	1	SCREW M6X35 HEX HD ISO4014 SCOTCH-GRIP	[1]

Part Notes:

- [1] - GUARANTEE DATE EXPIRED
- [2] - NO LONGER AVAILABLE
- [3] - STOCK COVERS GUARANTEE

SCHEMA ELETRICO/ELECTRIC DIAGRAM (BA450/530) 08812799
 (senza trazione senza caricabatteria/without traction without chargerbattery)



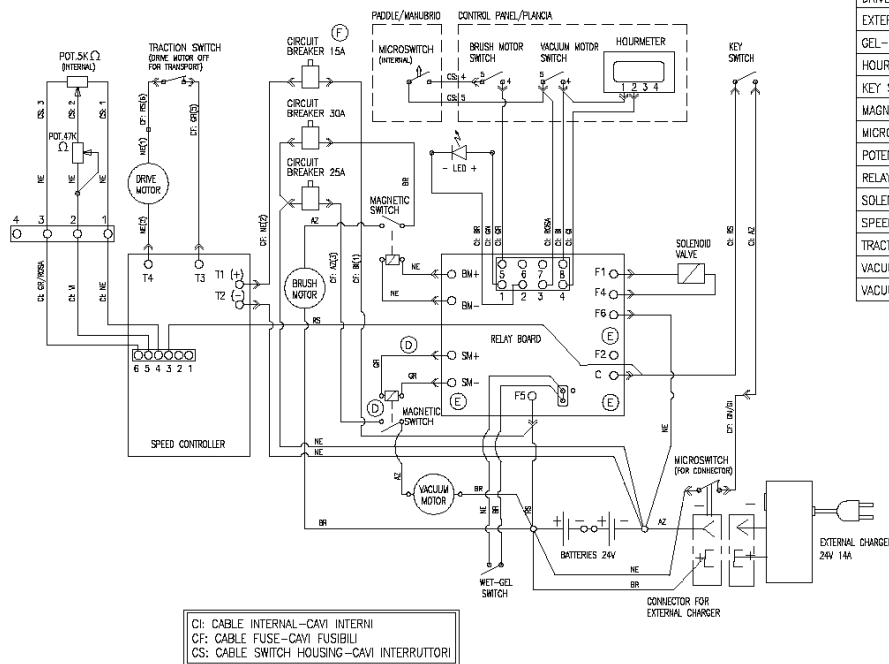
CI: CABLE INTERNAL-CAVI INTERNI
 CF: CABLE FUSE-CAVI FUSIBILI
 CS: CABLE SWITCH HOUSING-CAVI INTERRUTTORI

24V BATTERIES-BATTERIA 24V
BRUSH MOTOR -MOTORE SPAZZOLA
BRUSH MOTOR SWITCH-INTERRUTTORE MOTORE SPAZZOLA
CIRCUIT BREAKER-FUSIBILE DI RIPRISTINO
CONNECTOR FOR CHARGER -CONNETTORE PER CARICABATTERIA
EXTERNAL CHARGER-CARICABATTERIA ESTERNO
GEL-WET SWITCH -INTERRUTTORE TIPO BATTERIE
HOURMETER -CONTORE
MAGNETIC SWITCH-TELERUTTORE
MICROSWITCH -MICROINTERRUTTORE
RELAY BOARD-SCHEDA RELE'
SOLENOID VALVE-ELETTROVALVOLA
VACUUM MOTOR-MOTORE ASPIRAZIONE
VACUUM MOTOR SWITCH-INTERRUTTORE MOTORE ASPIRAZIONE

TABELLA COLORI	COLORS CODES
AZ =	BLEU
BI =	WHITE
GI =	YELLOW
GR =	GREY
BR =	BROWN
NE =	BLAK
ROSA =	PINK
RS =	RED
VI =	VIOLET
OR =	ORANGE
GN =	GREEN

Pos.	Vare-nr	Antal	Beskrivelse	Notes
------	---------	-------	-------------	-------

SCHEMA ELETTRICO/ELECTRIC DIAGRAM (BA450/530) 08812798
 (sen traktione senza caricabatteria/with traction without chargerbatteries)

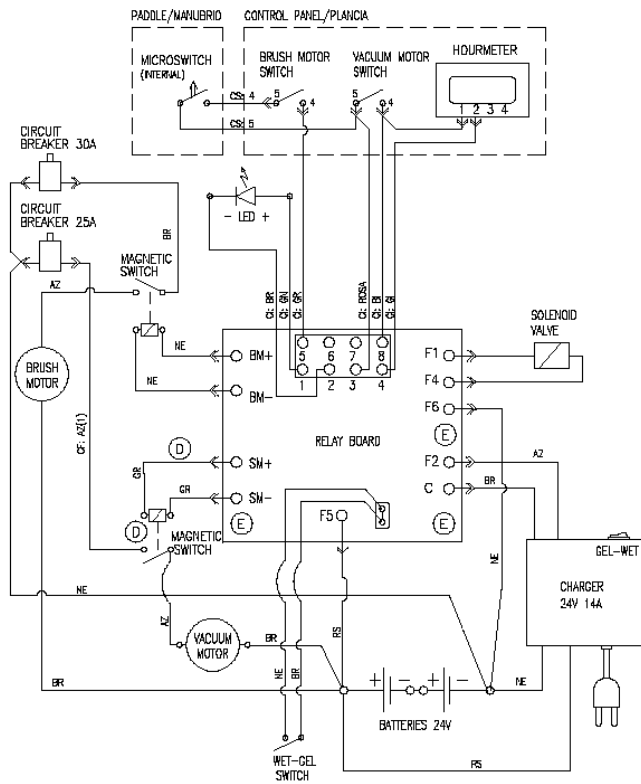


- 24V BATTERIES - BATTERIA 24V
- BRUSH MOTOR - MOTORE SPAZZOLA
- BRUSH MOTOR SWITCH - INTERRUTTORE MOTORE SPAZZOLA
- CIRCUIT BREAKER - FUSIBILE DI RIPRISTINO
- CONNECTOR FOR CHARGER - CONNETTORE PER CARICABATTERIA
- DRIVE MOTOR - MOTORE TRAZIONE
- EXTERNAL CHARGER - CARICABATTERIA ESTERNO
- GEL-WET SWITCH - INTERRUTTORE TIPO BATTERIE
- HOURMETER - CONTAORE
- KEY SWITCH - INTERRUTTORE CHIAVE ACCENSIONE
- MAGNETIC SWITCH - TELERUTTORE
- MICROSWITCH - MICROINTERRUTTORE
- POTENZIOMETER - POTENZIOMETRO
- RELAY BOARD - SCHEDE RELE'
- SOLENOID VALVE - ELETTROVALVOLA
- SPEED CONTROLLER - CONTROLLO TRAZIONE
- TRACTION SWITCH - INTERRUTTORE TRAZIONE
- VACUUM MOTOR - MOTORE ASPIRAZIONE
- VACUUM MOTOR SWITCH - INTERRUTTORE MOTORE ASPIRAZIONE

TABELLA COLORI	COLORS CODES
AZ =	BLEU
BI =	WHITE
GI =	YELLOW
GR =	GREY
BR =	BROWN
NE =	BLAK
ROSA =	PINK
RS =	RED
VI =	VIOLET
OR =	ORANGE
GN =	GREEN

Pos.	Vare-nr	Antal	Beskrivelse	Notes
------	---------	-------	-------------	-------

SCHEMA ELETTRICO/ELECTRIC DIAGRAM (BA450/530) 08812797
 (senza trazione ma con caricabatteria/without traction with chargerbattery)



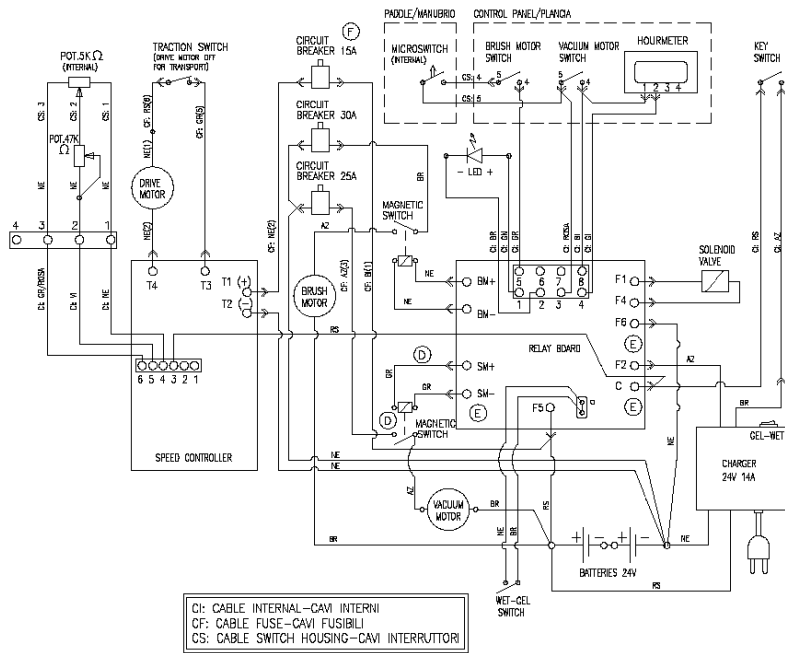
24V BATTERIES - BATTERIA 24V
BRUSH MOTOR - MOTORE SPAZZOLA
BRUSH MOTOR SWITCH - INTERRUTTORE MOTORE SPAZZOLA
CHARGER BATTERY - CARICABATTERIA
CIRCUIT BREAKER - FUSIBILE DI RIPRISTINO
GEL-WET SWITCH - INTERRUTTORE TIPO BATTERIE
HOURMETER - CONTADRE
MAGNETIC SWITCH - TELERUTTORE
MICROSWITCH - MICROINTERRUTTORE
RELAY BOARD - SCHEDE RELE'
SOLENOID VALVE - ELETTROVALVOLA
VACUUM MOTOR - MOTORE ASPIRAZIONE
VACUUM MOTOR SWITCH - INTERRUTTORE MOTORE ASPIRAZIONE

TABELLA COLORI	COLORS CODES
AZ =	BLUE
BI =	WHITE
GI =	YELLOW
GR =	GREY
BR =	BROWN
NE =	BLACK
ROSA =	PINK
RS =	RED
VI =	VIOLET
OR =	ORANGE
GN =	GREEN

CI: CABLE INTERNAL - CAVI INTERNI
 CF: CABLE FUSE - CAVI FUSIBILI
 CS: CABLE SWITCH HOUSING - CAVI INTERRUTTORI

Pos.	Vare-nr	Antal	Beskrivelse	Notes
------	---------	-------	-------------	-------

SCHEMA ELETTRICO/ELECTRIC DIAGRAM (BA450/530) 08812796
 (con trazione e caricabatteria/with traction and chargerbattery)



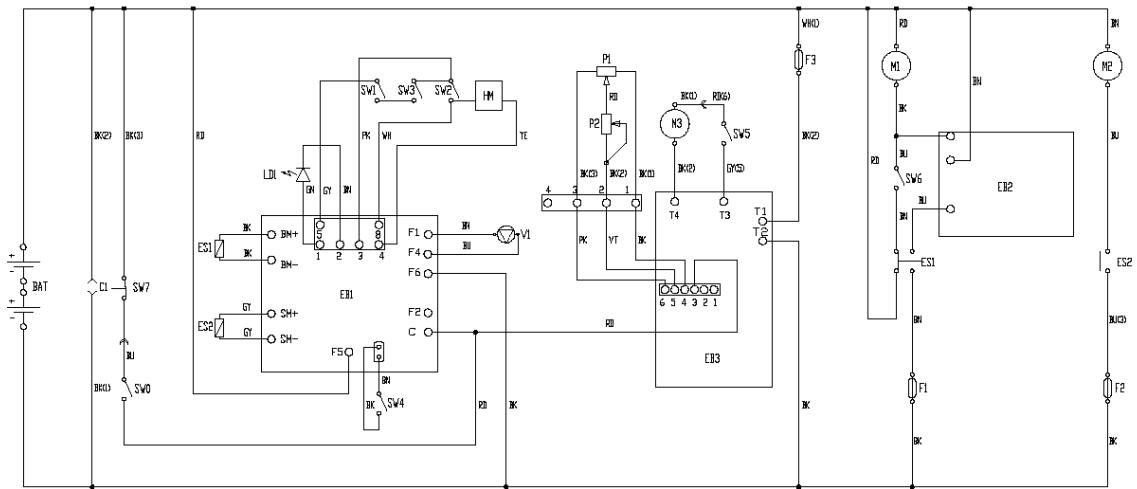
- 24V BATTERIES--BATTERIA 24V
- BRUSH MOTOR--MOTORE SPAZZOLA
- BRUSH MOTOR SWITCH--INTERRUTTORE MOTORE SPAZZOLA
- CHARGER BATTERY--CARICABATTERIA
- CIRCUIT BREAKER--FUSIBILE DI RIPRISTINO
- DRIVE MOTOR--MOTORE TRAZIONE
- GEL-WET SWITCH--INTERRUTTORE TIPO BATTERIE
- HOURLMETER--CONTADRE
- KEY SWITCH--INTERRUTTORE CHIAVE ACCENSIONE
- MAGNETIC SWITCH--TELERUTTORE
- MICROSWITCH--MICROINTERRUTTORE
- POTENZIOMETER--POTENZIOMETRO
- RELAY BOARD--SCHEDE RELE'
- SOLENOID VALVE--ELETTROVALVOLA
- SPEED CONTROLLER--CONTROLLO TRAZIONE
- TRACTION SWITCH--INTERRUTTORE TRAZIONE
- VACUUM MOTOR--MOTORE ASPIRAZIONE
- VACUUM MOTOR SWITCH--INTERRUTTORE MOTORE ASPIRAZIONE

TABELLA COLORI	COLORS CODES
AZ	BLUE
BI	WHITE
GI	YELLOW
GR	GREY
BR	BROWN
NE	BLACK
ROSA	PINK
RS	RED
VI	VIOLET
OR	ORANGE
GN	GREEN

CI: CABLE INTERNAL--CAVI INTERNI
 CF: CABLE FUSE--CAVI FUSIBILI
 CS: CABLE SWITCH HOUSING--CAVI INTERRUTTORI

Pos.	Vare-nr	Antal	Beskrivelse	Notes
------	---------	-------	-------------	-------

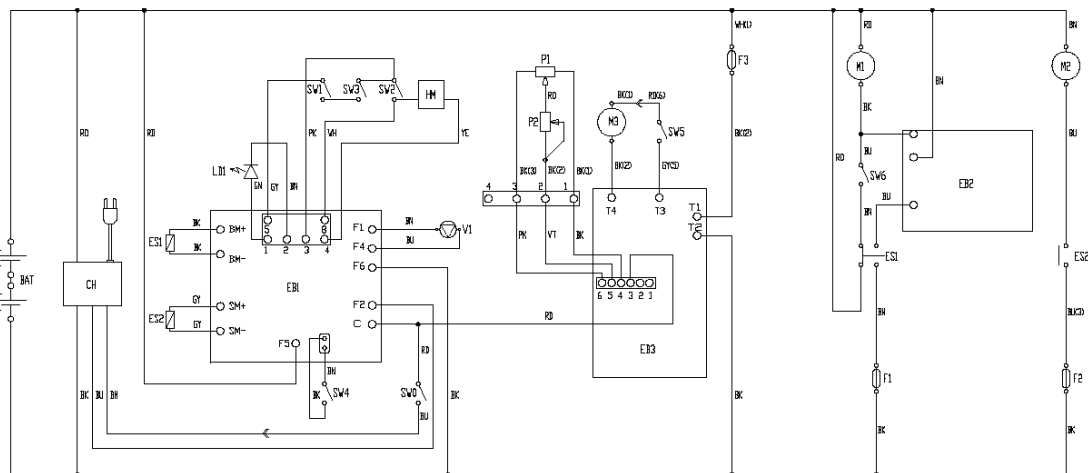
SCHEMA ELETTRICO
BA610 senza caricabatterie
909 5017 000



COMPONENTS			
BT	24V BATTERIES	MP	VACUUM MOTOR
BK	BLACK nero	N2	BRUSH MOTOR
BU	BLUE azzurro	P1	DRIVE SPEED POTENTIOMETER (5ohm)
BH	BROWN marrone	P2	DRIVE MAX SPEED POTENTIOMETER (470ohm)
BH	BROWN marrone	SH	KEY SWITCH
GH	GREEN verde	SW1	BRUSHES SWITCH
GY	GRAY grigio	SW2	VACUUM SWITCH
BG	BROWN marrone	SW3	FIXABLE MICROSWITCH
PK	ROSE rosa	SW4	PRIGEL BATTERIES SELECTOR
RH	RED rosso	SW5	TRACTION SWITCH
VI	WHITE bianco	SW6	CLICK-OFF SWITCH
WH	WHITE bianco	SW7	EXTERNAL CHARGER MICROSWITCH
YL	YELLOW giallo	VI	WATER ELECTROVALVE
EB1	LOGIC ELECTRONIC BOARD		
EB2	BRUSHES ELECTRONIC BOARD		
EB3	BRUSHES ELECTRONIC BOARD		
ES1	BRUSHES ELECTRON SWITCH		
ES2	VACUUM ELECTRON SWITCH		
F1	BRUSHES MOTOR CIRCUIT BREAKER (10A)		
F2	VACUUM MOTOR CIRCUIT BREAKER (25A)		
F3	DRIVE MOTOR CIRCUIT BREAKER (15A)		
HM	HOURMETER		
LM	BATTERIES STATUS LED		
M1	BRUSHES MOTOR		
M2	VACUUM MOTOR		

Pos.	Vare-nr	Antal	Beskrivelse	Notes
------	---------	-------	-------------	-------

SCHEMA ELETTRICO
BA610 con caricabatterie
909 5018 000



COLOR CODES	COMPONENTS		
BK BLACK nero	M1 24V BATTERIES	M2 VACUUM MOTOR	
BU BLUE azzurro	DH 24V 12A BATTERY CHARGER	M3 BRUSH MOTOR	
BN BROWN marrone	E1 LOGIC ELECTRONIC BOARD	P1 BRUSH SPEED POTENTIOMETER (500ohm)	
EN GREEN verde	E2 BRUSHES ELECTRONIC BOARD	P2 BRUSH MAX SPEED POTENTIOMETER (400ohm)	
GY GREY grigio	E3 BRUSH ELECTRONIC BOARD	SM KEY SWITCH	
OG ORANGE arancione	ES1 BRUSHES ELECTRON SWITCH	SW1 BRUSHES SWITCH	
PK PINK rosa	ES2 VACUUM ELECTRON SWITCH	SW2 VACUUM SWITCH	
RD RED rosso	F1 BRUSHES MOTOR CIRCUIT BREAKER (25A)	SW3 PADDLE MIDSWITCH	
VT VIOLET viola	F2 VACUUM MOTOR CIRCUIT BREAKER (25A)	SW4 PADDLE BATTERIES RELAY	
WH WHITE bianco	F3 BRUSH MOTOR CIRCUIT BREAKER (25A)	SW5 TRACTION SWITCH	
YE YELLOW giallo	H1 HOURMETER	SW6 CLICK-OFF SWITCH	
	L1 BATTERIES STATUS LED	V1 WATER ELECTROVALVE	
	M4 BRUSHES MOTOR		

Pos.	Vare-nr	Antal	Beskrivelse	Notes
------	---------	-------	-------------	-------

