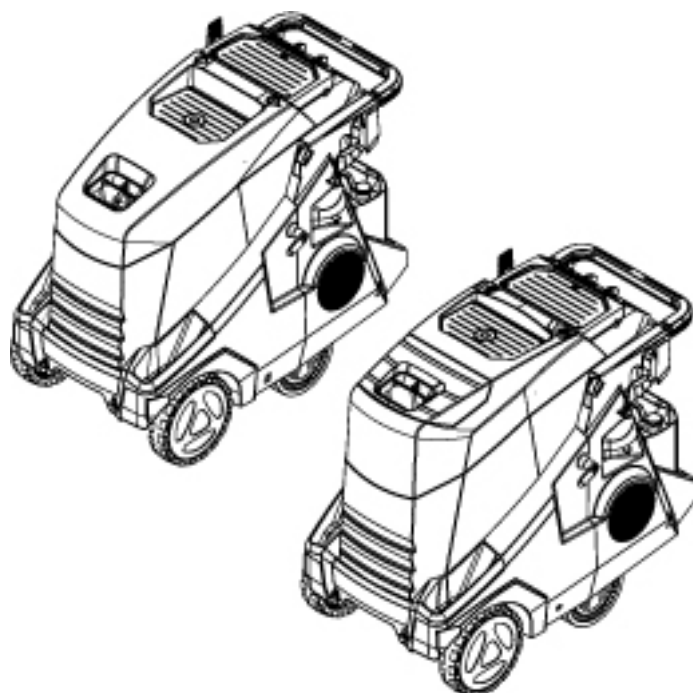


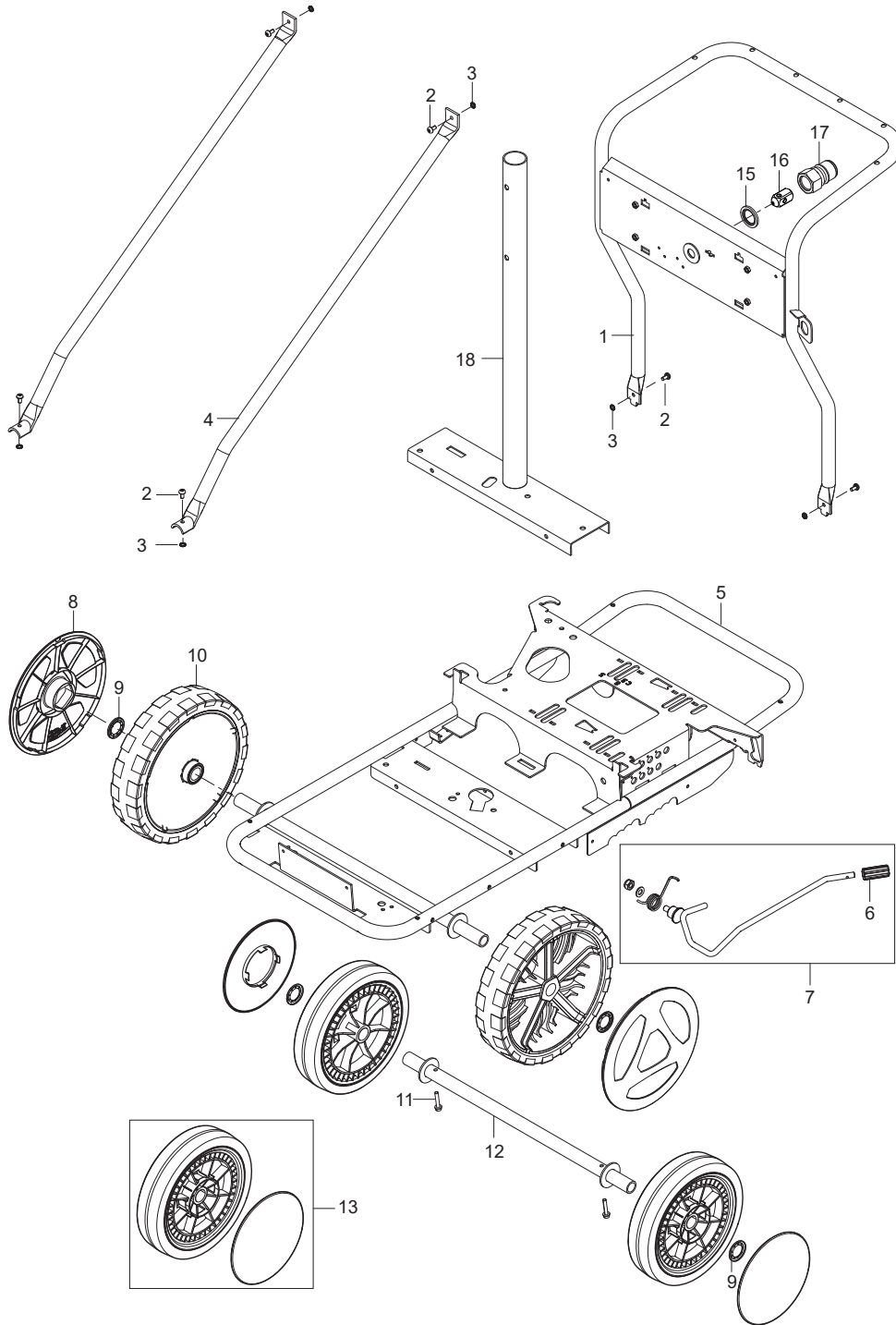
PARTS LIST



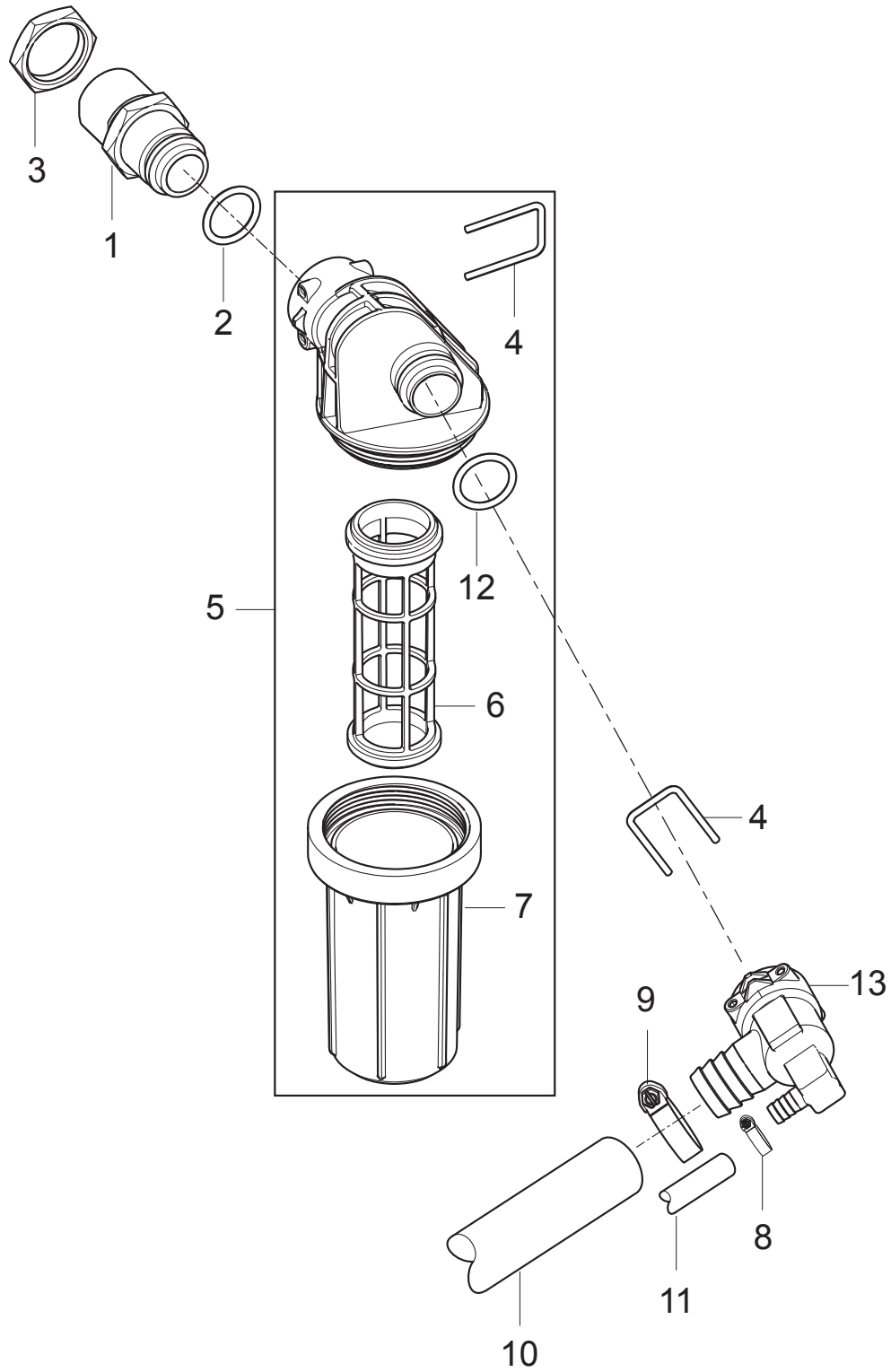
2022.07.28

TABLE OF CONTENTS

Chassis large	1
Water inlet_FA	3
Water break tank	5
Cabinet	7
Electric box for motor 1~,3~ STAR and 3~ DELTA	9
Fuel tank 30L	11
1x detergent	13
Anti-scale	15
Flow control FA	17
Electric box	19
Cables and wires	22
Boiler B5	24
Motor	26
Cylinder block	29
Unloader_FA	31
Burner	33
Fan	35
Hose reel	37
Default accessories	39



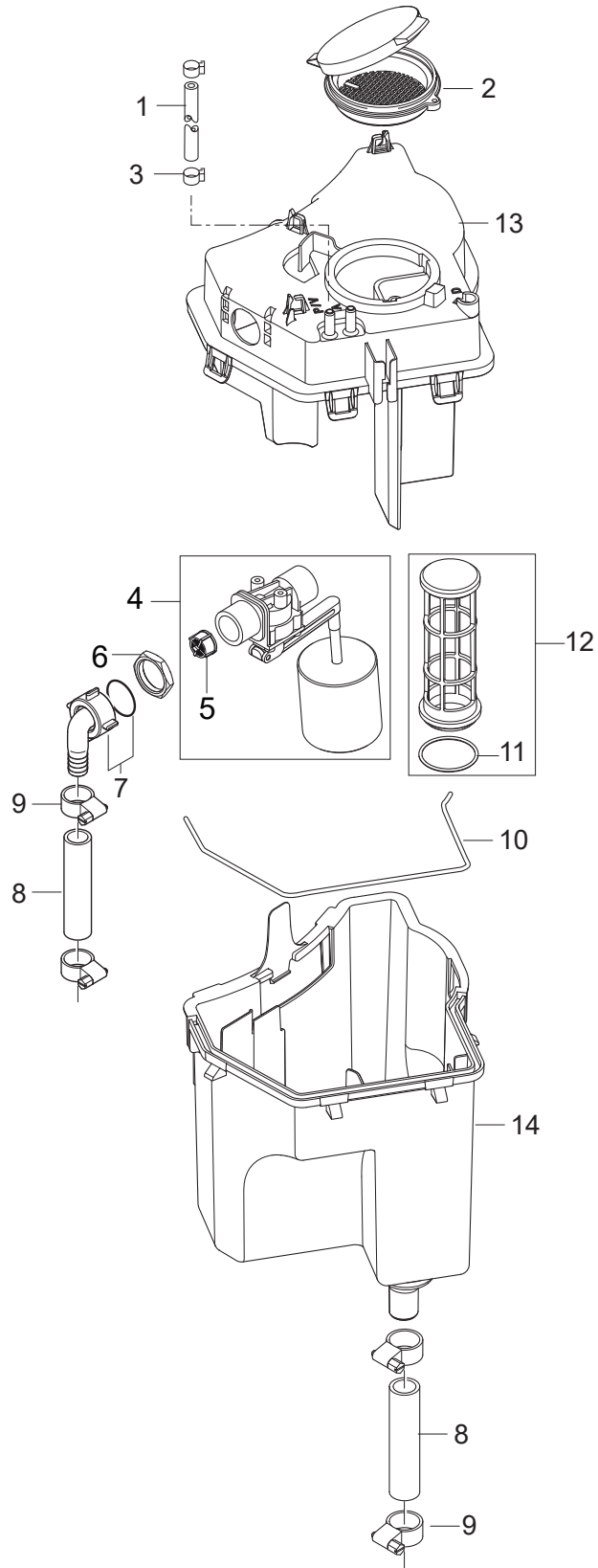
Pos.	Vare-nr	Antal	Beskrivelse	Notes
1	31001157	1	FRAME HANDLE	
2	107143018	6	SCREW M6X16	
3	107143146	6	WASHER SERRATED M6	
4	31001158	2	HANDLE STIFFENER LONG	
5	31001159	1	FRAME LARGE WELDED	
6	107143028	1	BRAKE KNOB	
7	101118229	1	BRAKE ARM LONG KIT	
8	107145780	2	WHEEL CAP FOR WHEEL Ø300X65 - NILFISK	
9	46363	4	Låsering Ø25	
10	107145637	2	WHEEL D300X65	
11	107143027	2	SCREW M6X35 SW10 DIN7500D FZB	
12	31001160	1	WHEEL AXLE REAR	
13	107143304	2	WHEEL D250 HEAVY LOAD W/CAP	
15	1801075	1	Tætningsskive 3/8"	
16	107143066	1	PISTON	
17	1600493	1	Ergo højtryksskobling DN10 3/8" han	
18	31001161	1	BOILER TUBE W. BRACKET LARGE	



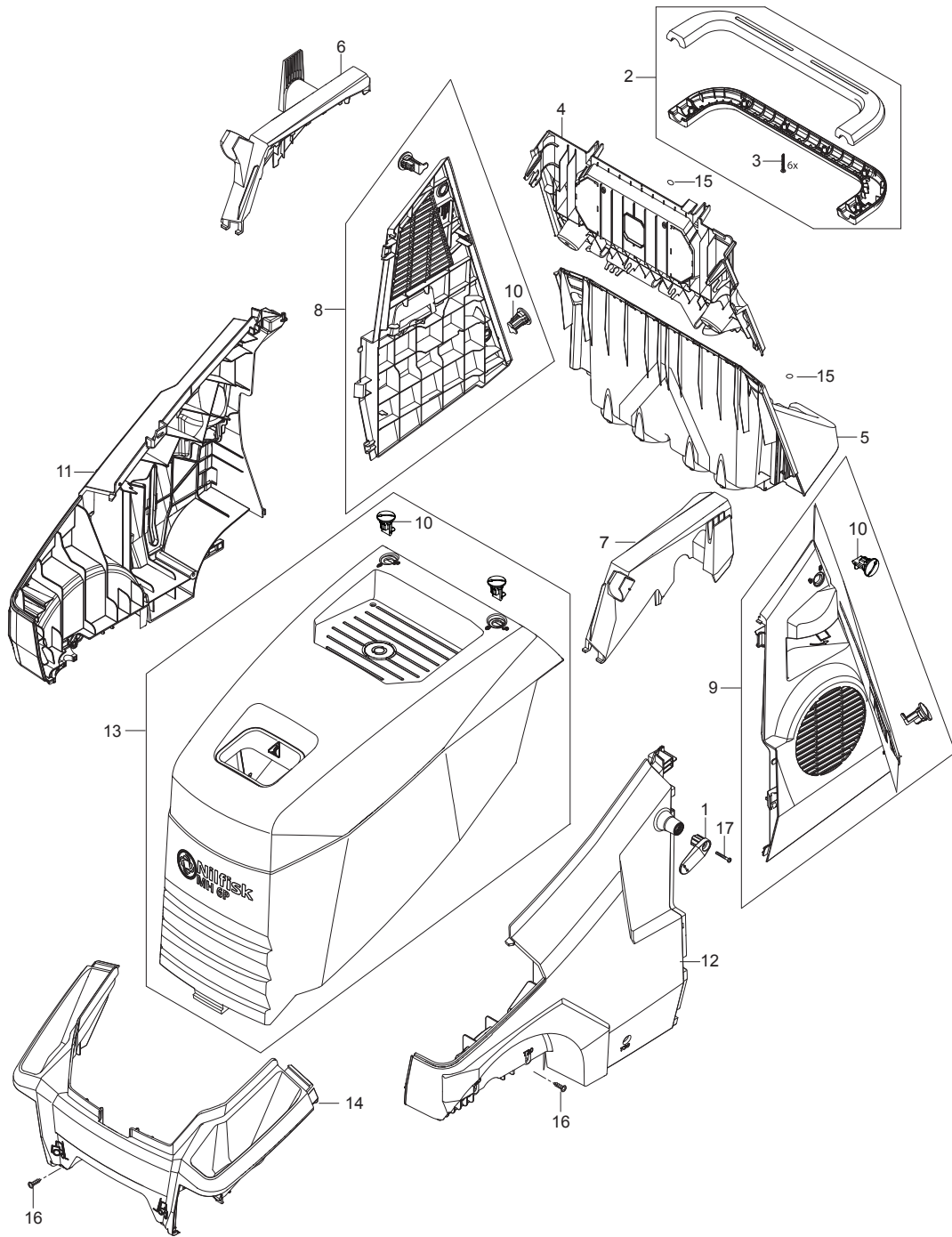
Pos.	Vare-nr	Antal	Beskrivelse	Notes
1	107143086	1	FITTING FOR WATER INLET	
2	107143088	2	O-RING 18.72X2.62	
3	1800341	1	"Kontramøtrik 3/4"" "	
4	107143085	2	LOCK PIN	
5	107144272	1	Vandfilter komplet 5000 mm2 50µ	
6	31001100	1	FILTER CARTRIDGE WITHOUT FLANGE	[1]
7	31001011	1	Glas til vandfilter	[1]
8	11654	1	Slangeklemme	
9	8298	1	Spændebånd	
10	107143031	1	FUELFLEX HOSE D28/D20 10BAR/20°	
11	101406100	1	Kemislange, 5 Meter	
12	107143088	1	O-RING 18.72X2.62	
13	107143087	1	WATER INLET FITTING FOR FA	

Part Notes:

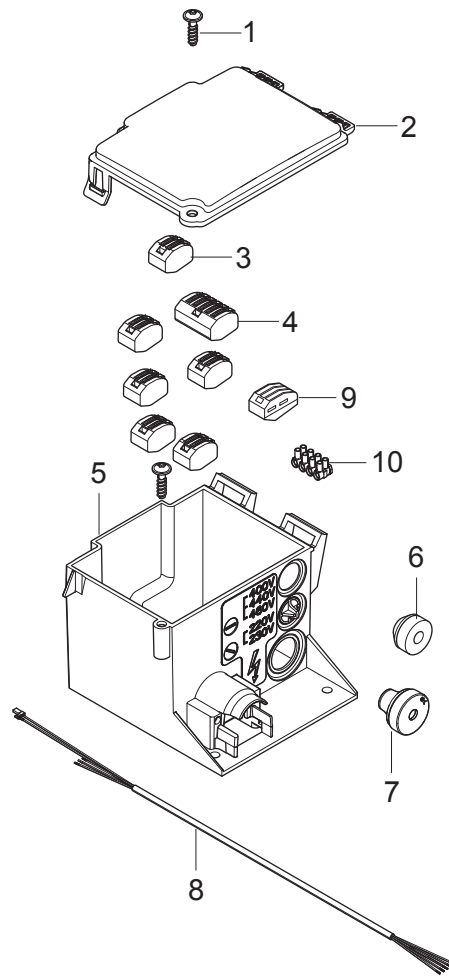
- [1] - TSB-PPW-2020-006 Water inlet filter cartridge and filter glass improved
 DE TSB-PPW-2020-006 Wasserzulauffilter Glas und Filtereinsatz verbessert
 TSB-PPW-2020-06 Cartouche de filtre d'entrée d'eau et bocal de filtre amélioré



Pos.	Vare-nr	Antal	Beskrivelse	Notes
1	101406100	1	Kemislange, 5 Meter	
2	301000561	1	Dæksel	
3	301001133	2	Slangeklemme Ø10/7	
4	101117784	1	Svømmerventil	
5	34218	1	Filter For Float Valve Ku	
6	1800341	1	"Kontramøtrik 3/4"" "	
7	107143084	1	HOSE COUPLING 90° 20X3/4 PP W/NUT/GASKET	
8	107143031	1	FUELFLEX HOSE D28/D20 10BAR/20°	
9	8298	4	Spændebånd	
10	101406054	1	Sponge Rubber Ø4 L 1M	
11	107143032	1	O-RING D30X2 SHORE70 NBR BLACK	
12	106403194	1	Filter til svømmertank	
13	107143060	1	COVER FOR WATER TANK	
14	107143030	1	WATER BREAK TANK	



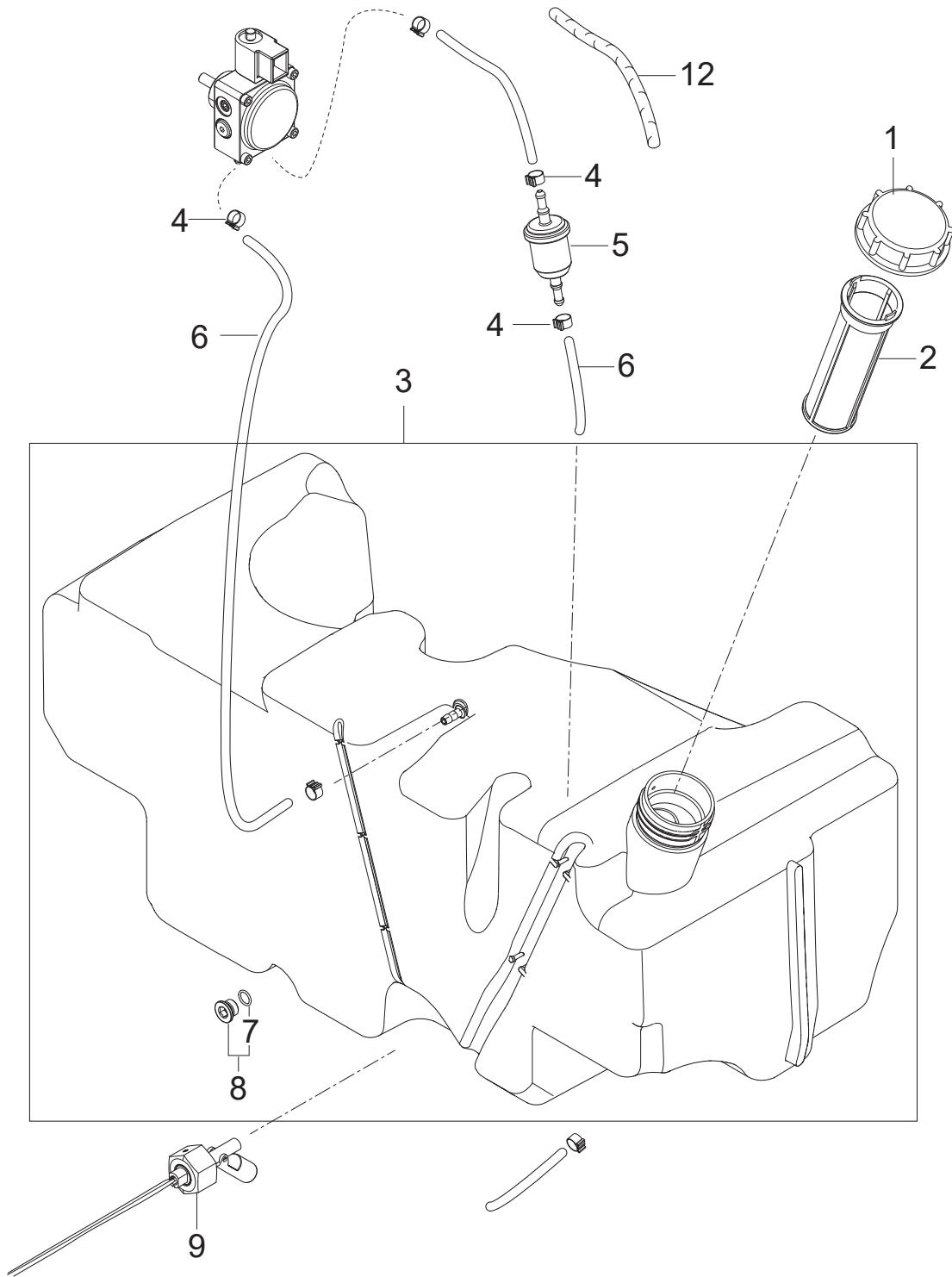
Pos.	Vare-nr	Antal	Beskrivelse	Notes
1	107143025	1	CABLE HOOK CLAMP BLUE	
2	101118192	1	HANDLE KIT	
3	909100148	6	SCREW K40X30 WN 1452	
4	107143013	1	REAR END TOP	
5	107143014	1	REAR END BOTTOM	
6	107143021	1	COVERING FOR HANDLE RIGHT	
7	107143022	1	COVERING FOR HANDLE LEFT	
8	107143023	1	DOOR W/LOCKS MPU NA5-NA6 RIGHT	
9	107143019	1	DOOR LEFT W/LOCKS	
10	301001261	6	Lås	
11	107143130	1	SIDE BUMPER LARGE RIGHT	
12	107143131	1	SIDE BUMPER LARGE LEFT	
13	101118207	1	CABINET MH 6P SMALL NILFISK KIT	
14	107143015	1	FRONT BUMPER	
15	107143009	6	BLIND PLUG D16.5 FOR T30 BLACK PE	
16	107143018	12	SCREW M6X16	
17	107141838	7	SCREW K50X18 WN1451 BLACK TORX20	



Pos.	Vare-nr	Antal	Beskrivelse	Notes
1	107141838	1	SCREW K50X18 WN1451 BLACK TORX20	
2	301000782	1	Dæksel	
3	107143069	6	SNAP TERMINAL 2 POL	
4	301002165	1	CABLE CLAMP TERMINAL 5POL WAGO 222-415	
5	107143074	1	E-BOX	
6	3803764	1	Pakdåse Tet 5-7C	
7	3803772	1	CABLE GROMMET TET 7-10C	
8	107143075	1	MOTOR CABLE 5G1.5 FOR 3~	[1]
8	107143076	1	MOTOR CABLE 5G1.5 FOR 1~	[2]
8	107143071	1	MOTOR CABLE 5G2.5 FOR STAR/DELTA	[3]
8	107143129	1	MOTOR CABLE 4G4 DELTA MH5-6-7	[4]
9	107143069	1	SNAP TERMINAL 2 POL	[5]
10	107143158	1	TERMINAL BLOCK 4-POL 10MM2	[6]

Part Notes:

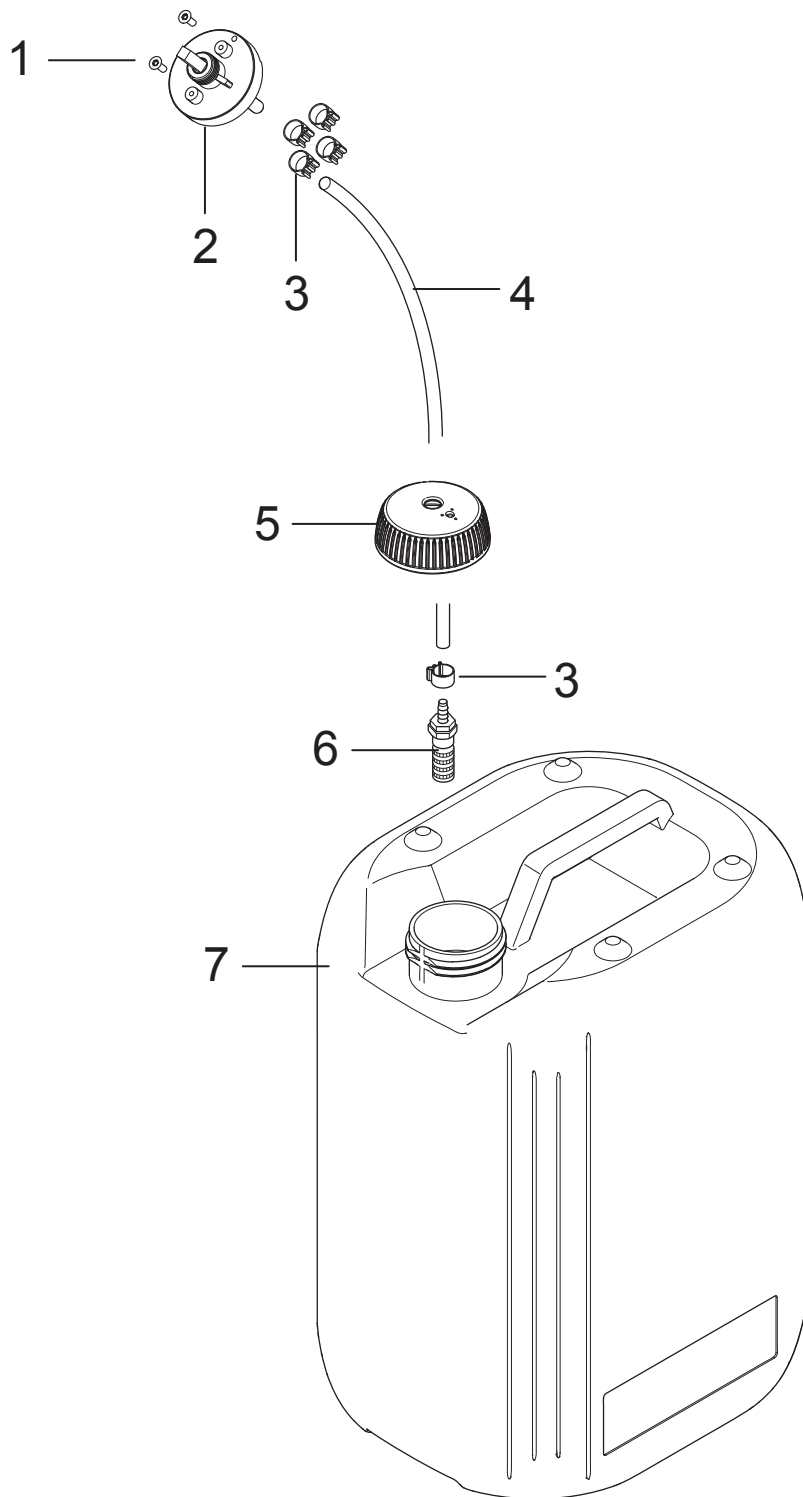
- [1] - MH4, MH5-200
- [2] - MH4 1ph, MH5 1ph
- [3] - MH4 (JP), MH5 (not MH5-200), MH6, MH7
- [4] - MH6 JP, MH7JP
- [5] - 1~
- [6] - MH5-6-7 - Delta, JP



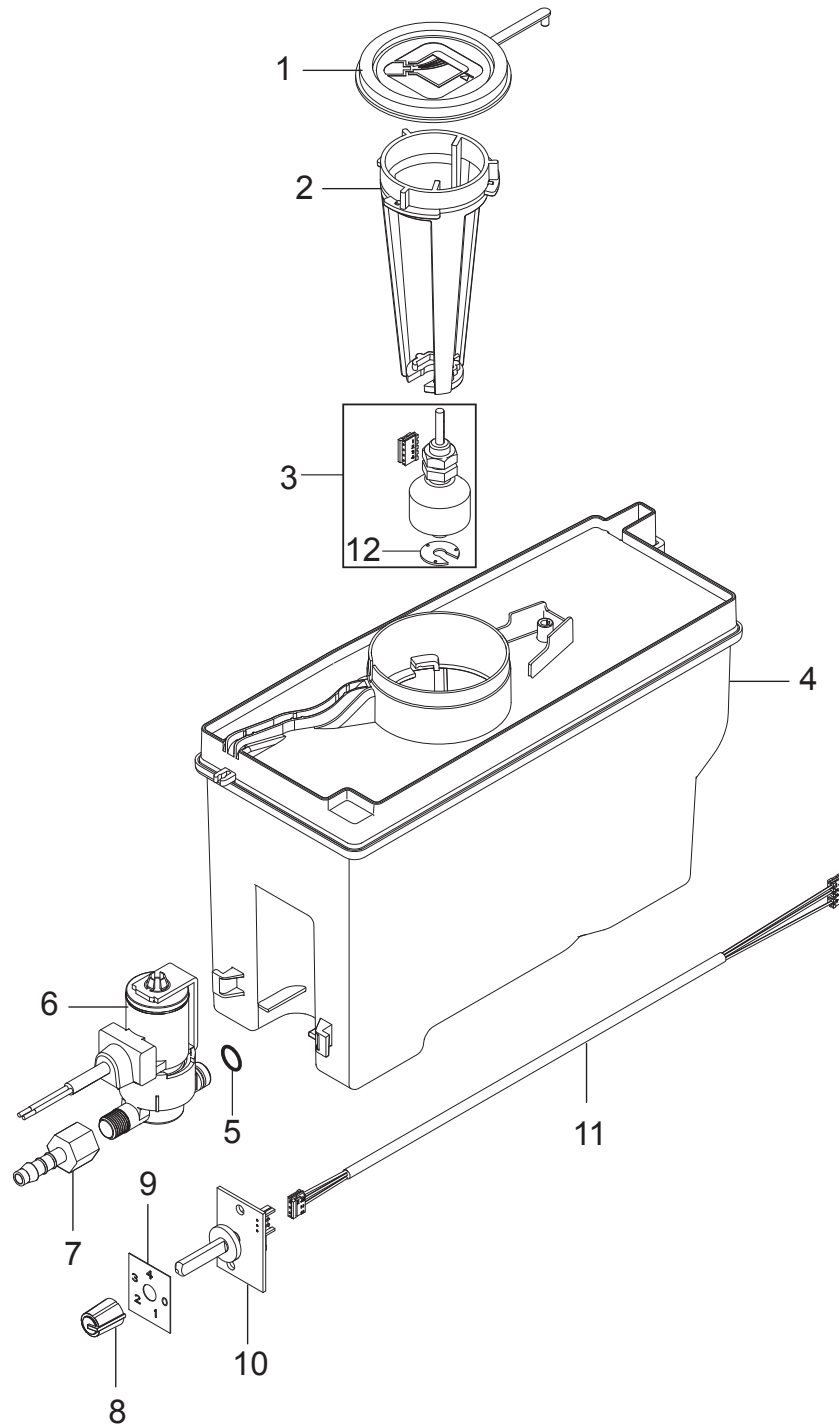
Pos.	Vare-nr	Antal	Beskrivelse	Notes
1	107143034	1	FUEL TANK LID - RED	
2	107144862	1	STRAINER Ø49,5X140	
3	107143136	1	Fuel Tank 30L	
4	301001133	6	Slangeklemme Ø10/7	
5	301002926	1	Filter	
6	106408244	0.35	Slange Ø6X2.5 - 5 meter	
7	3000072	1	O-ring 10,1 x 1,6 Nitril	
8	6180906	1	Prop m. o-ring	[1]
9	107143033	1	LEVEL SENSOR FUEL TANK	
10	107143164	1	BEND PROTECTOR	[2]

Part Notes:

- [1] - STOCK COVERS GUARANTEE
- [2] - DE TSB-PPW-2017-006 MH 3, 4, 5, 6, 7 Kraftstoffschlauch kann durch zu st...
TSB-PPW-2017-006 MH 3, 4, 5, 6, 7 Fuel hose can bend and block for fuel



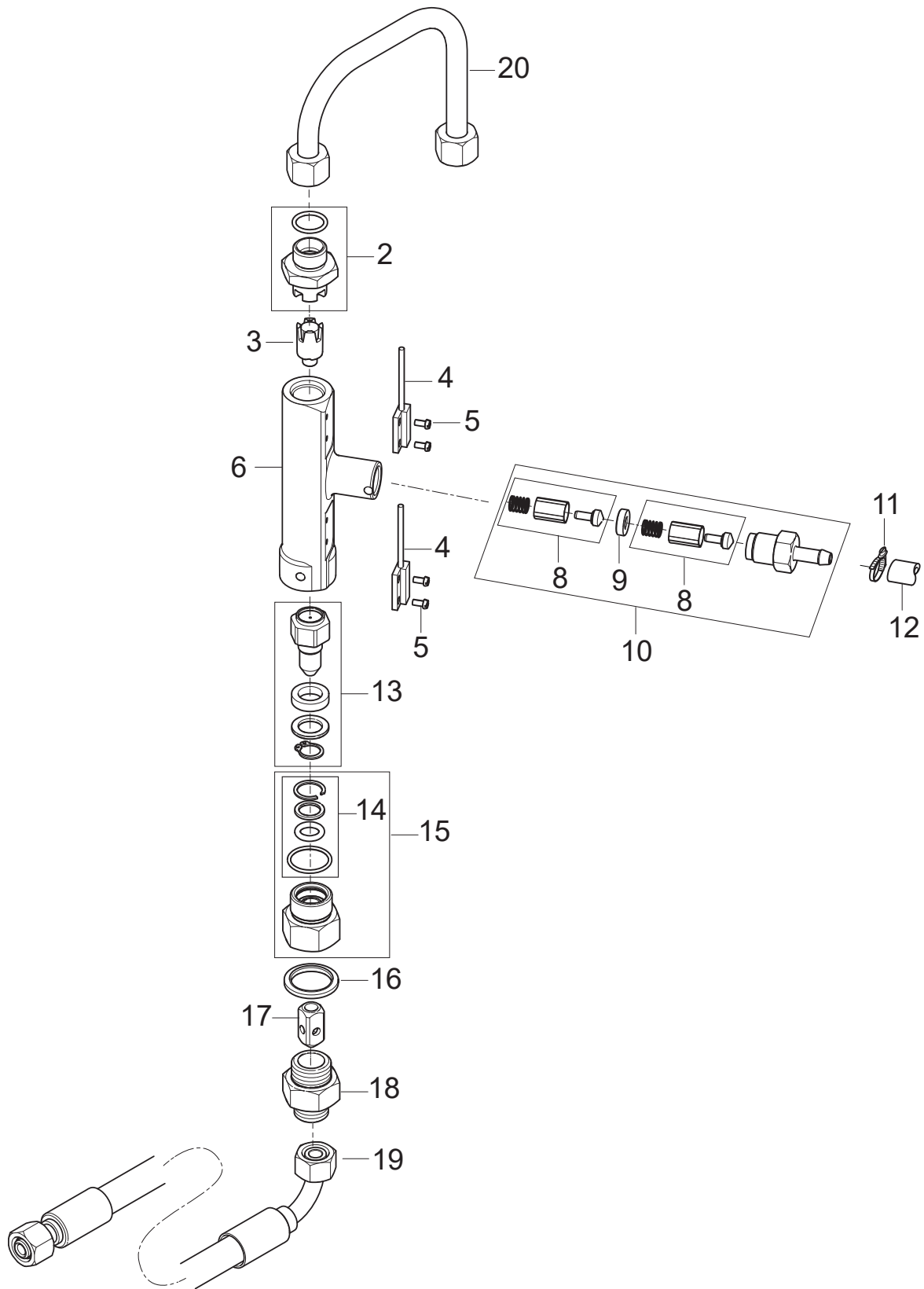
Pos.	Vare-nr	Antal	Beskrivelse	Notes
1	1814730	2	SCREW 35X10B W1423	
2	301001000	1	Doserventil	
3	301001133	8	Slangeklemme Ø10/7	
4	106408243	1	HOSE 1/4INCH TRANSPARENT - 5 METERS	
5	107141664	2	CAP FOR DETERG. TANK WITH VALVE MOUNTED	
6	107145440	2	Strainer Valve Compl. Kit	
7	80518	1	Plastdunk 10 liter	



Pos.	Vare-nr	Antal	Beskrivelse	Notes
1	45646	1	COVER	
2	107143040	1	LEVELSENSOR BRACKET FOR ANTISCALE	
3	101118214	1	FLOAT SWITCH KIT	
4	107143041	1	ANTISCALE TANK CPL.	
5	31001036	1	O-RING 6X2 NBR 70SH	
6	107143037	1	DOSING VALVE RPE 24VAC	
7	107143036	1	HOSE FITTING D6X1/8 PA	
8	107318222	1	PUSH-ON KNOB 11MM/6MMD/WH	
9	107143042	1	LABEL FOR ANTISCALE	
10	101117730	1	PCB FOR POTENTIOMETER	
11	107143038	1	CABLE FOR ADJUSTMENT ANTI SCALE	
12	107142593	1	HOLDING WASHER PE	[1]

Part Notes:

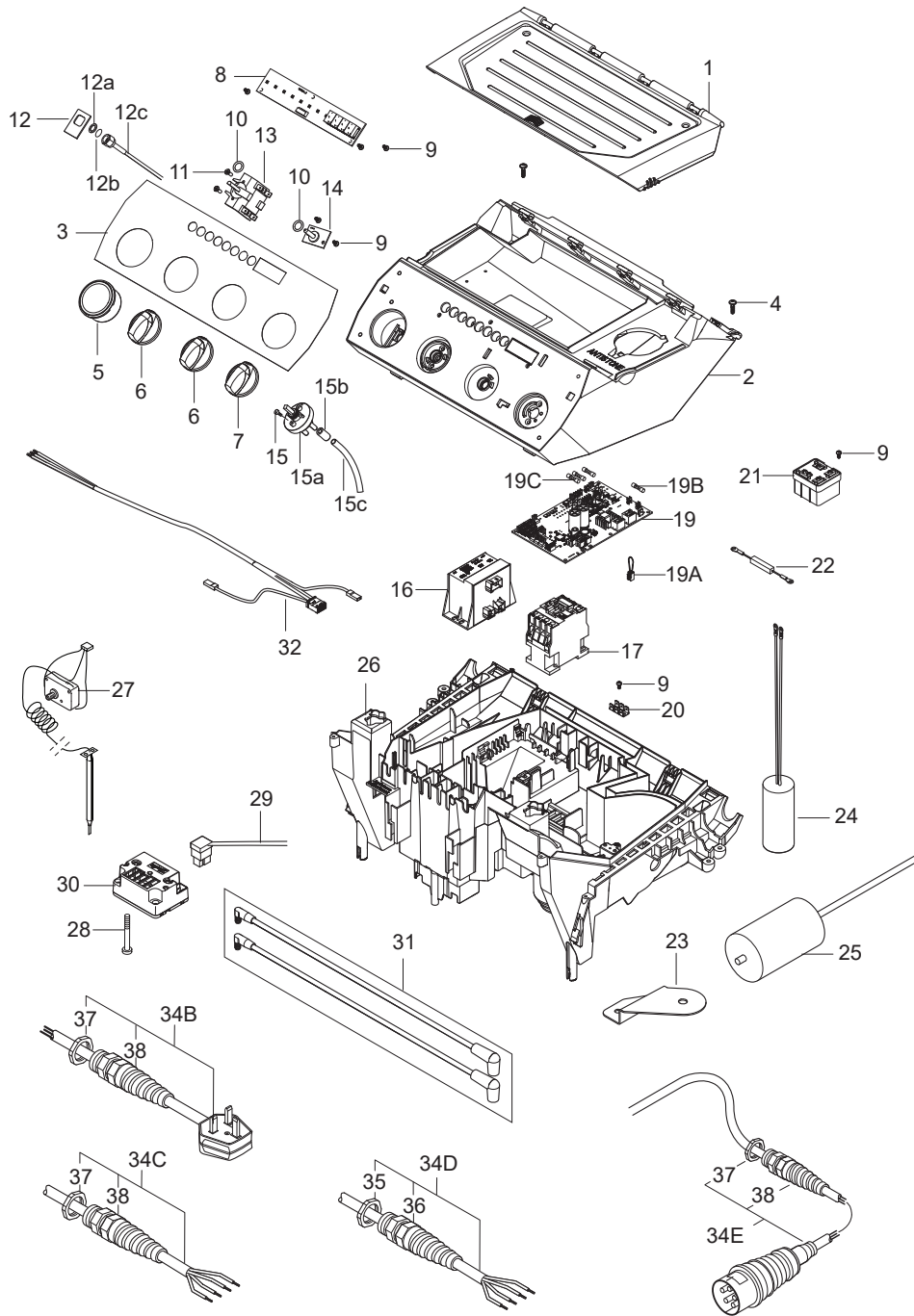
- [1] - TSB-PPW-2016-017 Locking ring for oil level switch falling off



Pos.	Vare-nr	Antal	Beskrivelse	Notes
2	101118190	1	MALE STUD M18X1.5 KIT	
3	101118055	1	MAGNET AND HOUSE FOR FLOW SWITCH-KIT NA6	
4	107143121	2	REED SWITCH NO W/CABLE	
5	101118033	4	Screw M3X6 Brass Din 84 Iso 1207 Kit	
6	101118308	1	FLOW CONTROL HOUSING FA	
8	1119566	2	Rep. sæt kontraventil	
9	6201535	1	Sæde til kontraventil	
10	1119318	1	Rep. sæt til kontraventil	
11	11654	2	Slangeklemme	
12	101406100	0.92	Kemislange, 5 Meter	
13	101117896	1	Non Return Valve W/Magnet	[1]
14	101118191	1	SEALING KIT FOR MALE STUD	
15	101118230	1	MALE STUD F.NON-RET.VALVE 1/2	
16	1807932	1	Selvtættende Spændeskive	
17	6101038	1	Stempel	
18	107143155	1	PISTON HOUSING 1/2	
19	107143171	1	HP HOSE DN10 3/8 DKL/DKL 90DEG M18X1.5	[2]
20	107143188	1	PIPE FLOW CONTROL NA6/B5	[3]
19+20	101118322	1	HP HOSE AND CONNECTION PIPE NA6/B5 KIT	

Part Notes:

- [1] - TSB-PPW-2016-012 MH 4M FA None return valve 101117896 get stocked
DE TSB-PPW-2016-012 MH 4M FA Strömungskolben 101117896 blockiert
- [2] - MH5, MH 6P-175/1250, MH 6P-210/1100
- [3] - MH5, MH 6P



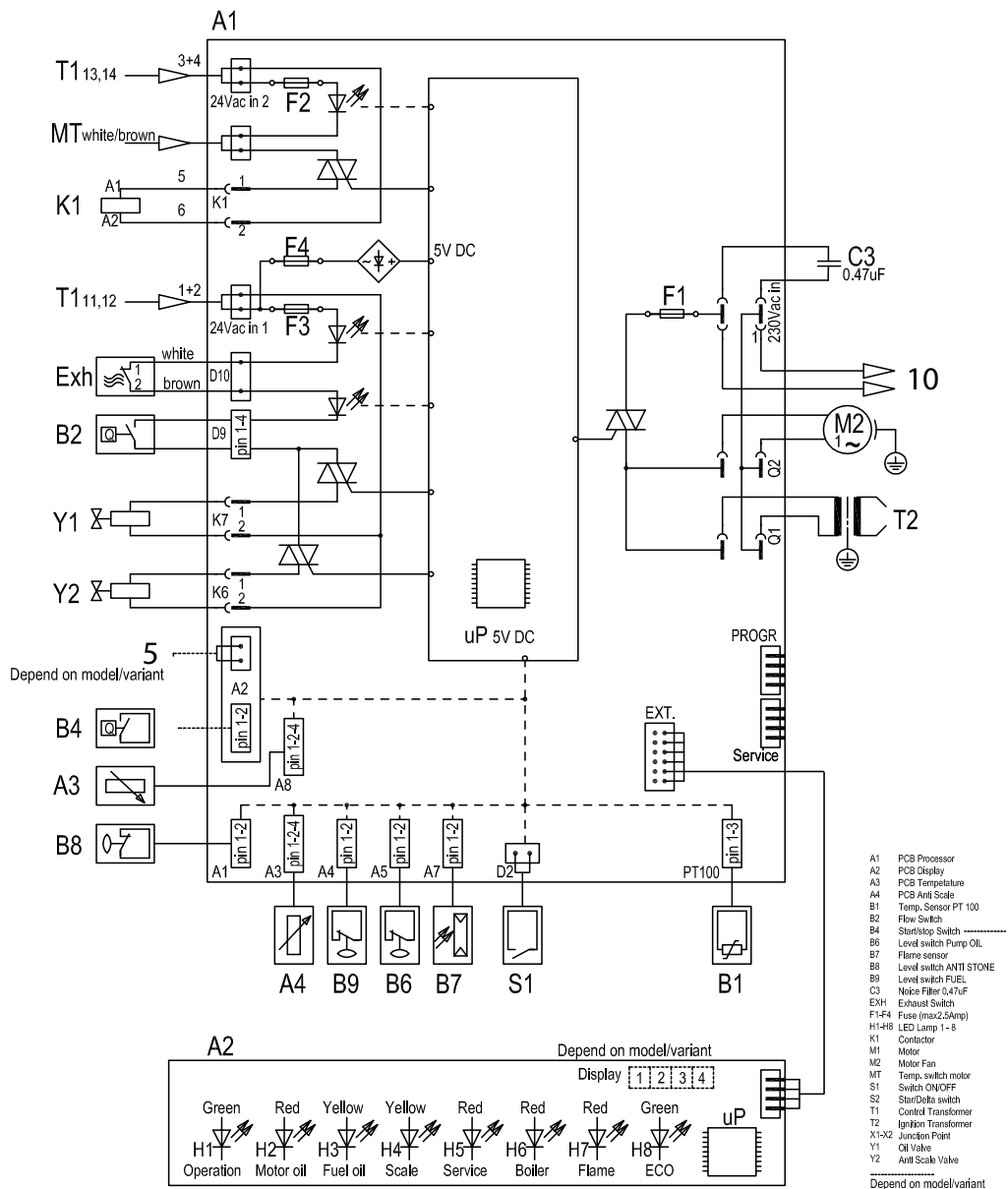
Pos.	Vare-nr	Antal	Beskrivelse	Notes
1	107143046	1	TOOL BOX LID	
2	107143045	1	E-BOX TOP	
3	107143153	1	LABEL F. CONTROL PANEL FULL SPEC NILFISK	
4	107141838	2	SCREW K50X18 WN1451 BLACK TORX20	
5	107141648	1	MANOMETER 0-300 BAR - 1/4"	
6	909100204	2	Drejeknap	
7	909100214	1	Drejeknap Gr.1 4Kt	
8	107143154	1	PCBA NEO UI DISPLAY CPL. MH	
9	909100046	5	SCREW 4X8	
10	9868	2	O-ring 10.0X2.5	
11	18274	2	Skruer M4X12	
12	107141650	1	PLATE FOR MANOMETER	
12a	107141651	1	WASHER M12 13X24X2.5 A2 DIN125	
12b	31000508	1	O-RING NBR	
12c	102406647	1	Slange	
13	28877	1	Switch	
14	101117730	1	PCB FOR POTENTIOMETER	
15	1814730	2	SCREW 35X10B W1423	
15a	301001000	1	Doserventil	
15b	301001906	1	Lukkekappe	
15c	106408243	1	HOSE 1/4INCH TRANSPARENT - 5 METERS	
16	107143051	1	POWER TRANSFORMER 230/400V 2X24V	
16	107143064	1	POWER TRANSFORMER 220-240V/440-460V	
16	107143068	1	POWER TRANSFORMER 115 / 200V	
17	103822306	1	Contactora Cjx2-D18-B7 24V	[1]
17	103822313	1	Contactora 12-25A 50/60Hz 24V	[2]
17	103822317	1	Contactora Cjx2-D32-B7 24V	[3]
19	107143151	1	PCBA MH	[4]
19A	101221031	1	JUMPER F. SERVICE TIME RESET (106420063)	
19B	31001190	1	FUSE 6.3A 5X20 MM 250V	
19C	15846	3	Sikring 2,5A	
20	107307326	1	EARTH CONNECTOR 6 PIN	
21	107142761	1	START RELAY RVA4G0C	
22	107141730	1	DISCHARGE RESISTOR 15KOHM/7W	[5]
23	107143134	1	BRACKET FOR CAPACITOR	[5]
24	107143182	1	CAPACITOR 70UF 450/500V RP-3	[6]
25	107141619	1	CAPACITOR 170MF	[5]
26	107143062	1	E-BOX BOTTOM	
27	106268028	1	Exhaust Safety Thermostat Kit	
28	909100149	2	Skruer 5X50	
29	107143098	1	PRIMARY CABLE FOR IGNITION COIL	
30	101117759	1	Tændtransformer 220-240V	[7]
31	101118220	1	2 X IGNITION CORDS KIT	
32	107143056	1	CABLE FOR POWER TRAFO PRIM 230V	
32	107143063	1	CABLE FOR POWER TRANSFORMER PRIM 400V	
32	107143072	1	CABLE F. POWER TRANSFORMER PRIM 230/400	
34B	101117812	1	POWER C.H07RN 3G1.5 BS13 GDN 6.3X0.8 KIT	[8]
34C	101118182	1	POWER CORD H07RN 4G2.5X6M GND 6.3X0.8 NO	[9]
34D	107143126	1	POWER CORD 4X5.5MM2 X9M	[10]
34E	101118222	1	POWER CORD H07RN 4G1,5 CEE5	[11]
35	909100198	1	SCREWED CABLE GLAND M25X1.5	
36	909100020	1	Hexagon Thin Nut M25X1.5 En 50262 P	
37	909100019	1	Møtrik	
38	909100043	1	Kabelafastning	

Part Notes:

- [1] - MH5M-100/760 UK, MH5M-200/960 EU, MH5M-210/1100 EU,
MH6P-175/1250 EU, MH6M-200/1300 EU, MH7P-180/1260 EU
- [2] - MH5M-210/1100 NO, MH7P-180/1260 NO, MH8P-180/2000 EU

- [3] - MH5M-210/1100 EXP, MH6P-200/1300 NO, MH6P-210/1100 JP, MH6P-210/1300 EXP, MH7P-180/1260 JP
- [4] - TSB-PPW-2018-014 MH models Software update
DE TSB-PPW-2018-014 MH-Modele Software Update
- [5] - 1ph
- [6] - 1ph

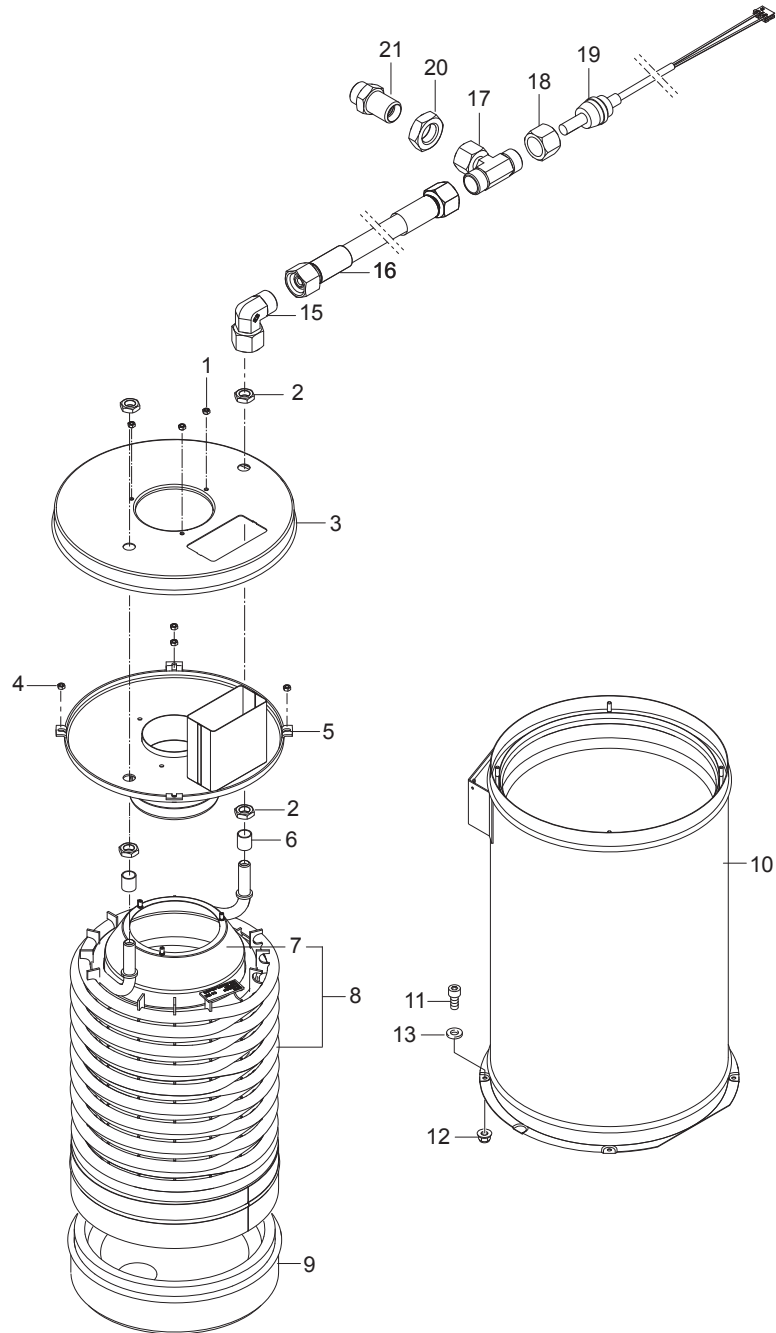
TSB-PPW-2018-003 MH_MC change of start relay and run capacitor
TSB-PPW-2018-003 MH_MC Changement du relais de démarrage et du condensateur de fonctionnement
- [7] - TSB-PPW-2018-004 Boiler cannot start - no ignition
FR TSB-PPW-2018-004 Le bruleur ne démarre plus
DE TSB-PPW-2018-004 Brenner startet nicht - keine Zündung
- [8] - MH5M-100/760 UK
- [9] - MH 5M-210/1100 EXP+NO, MH6P-200/1300 EXP+NO, MH7P-180/1260 NO
- [10] - MH6P-210/1100 JP, MH7P-180-1260 JP
- [11] - MH5M-200/960 EU, MH5M-210/1100 EU, MH6P-175/1250 EU, MH6P-200/1300 EU, MH7P-180/1260 EU



Pos.	Vare-nr	Antal	Beskrivelse	Notes
T1	107143052	2	CABLE FOR POWER TRANSFORMER SEC 6X0.75	
MT	107143070	1	CABLE FOR MT	
K1	107143052	1	CABLE FOR POWER TRANSFORMER SEC 6X0.75	
Exh	107143055	1	CABLE FOR HOT WATER MODE AND EXH. SWITCH	
B2	107143121	1	REED SWITCH NO W/CABLE	
Y1	107143095	1	CABLE FOR SOLENOID VALVE 2X0.5	
Y2	107143037	1	DOSING VALVE RPE 24VAC	
5	101118188	1	MICRO-SWITCH KIT	[1]
B4	107143121	1	REED SWITCH NO W/CABLE	[2]
A3	107143043	1	CABLE FOR TEMPERATURE ADJUSTMENT	
B8	101118214	1	FLOAT SWITCH KIT	
A4	107143038	1	CABLE FOR ADJUSTMENT ANTI SCALE	
B9	107143033	1	LEVEL SENSOR FUEL TANK	
B6	101118173	1	OIL SENSOR W/PLUG KIT	[3]
B7	107143100	1	FLAME SENSOR WITH CABLE	
S1	107143055	1	CABLE FOR HOT WATER MODE AND EXH. SWITCH	
B1	107143083	1	TEMPERATUR SENSOR PT100 W/CABLE	
A2	107143053	1	CABLE FOR UI	
T2	107143098	1	PRIMARY CABLE FOR IGNITION COIL	
M2	107143096	1	MOTOR BURNER - 0.23KW/230V/50HZ/1PH	[4]
M2	107143097	1	MOTOR BURNER 390W/200-240V/50/60HZ	[5]
10	107143054	1	WIRE BLACK L=400	
C3	101117867	1	NOISE FILTER KIT	

Part Notes:

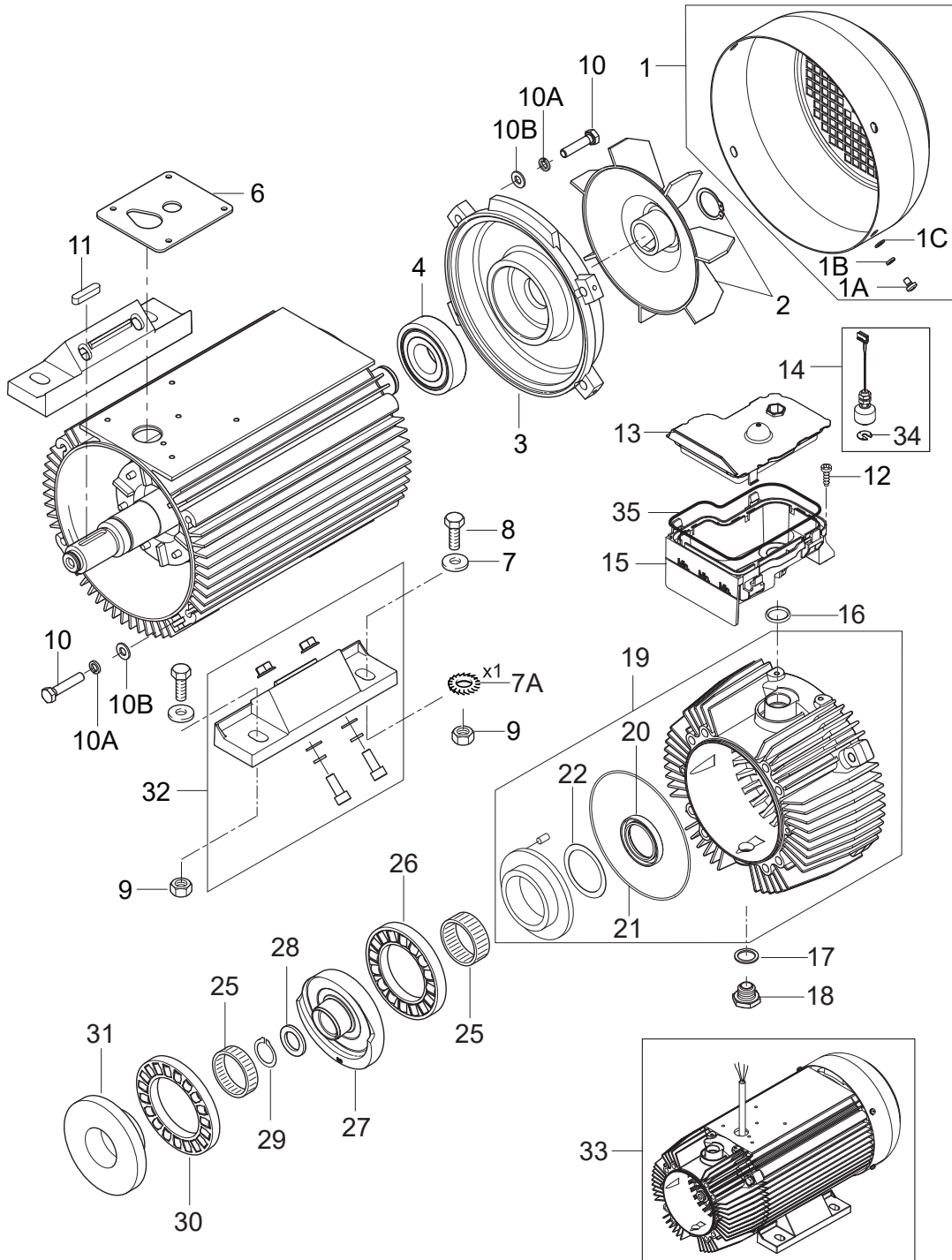
- [1] - NA5 PA
- [2] - FA
- [3] - MI 107309166 JST Connector
- [4] - MH 5M-210/1100 FA 400/3/50 Gerni, MH 5M-210/1100 FAX 400-230/3/50 NO, MH 6P-175/1250 FAX 400/3/50 EUMH 6P-200/1300 FAX 400/3/50 EU, MH 7P-180/1260 FA 400/3/50 EU
- [5] - MH 5M-210/1100 FA 440-220/3/60 EXPT, MH 6P-210/1100 FA 200/3/50-60 JP, MH 6P-195/1350 FA 440-220/3/60 EXPT, MH 7P-180/1260 FA 200/3/50-60 JP



Pos.	Vare-nr	Antal	Beskrivelse	Notes
1	3136	3	Møtrik	
2	7012	4	Møtrik	
3	31001162	1	OUTER BOILER TOP B5 - B7	
4	12263	4	HEXAGON NUT M6	
5	31001163	1	INSIDE BOILER TOP CPL B5	
6	301000582	2	BUSHING Ø22X1.5X24	
7	301000541	1	Flammerør NEPTUNE 5+7	
8	31001164	1	COIL WELDED B5	
8	107143301	1	COIL B5 SS, MH	[1]
9	301000916	1	Isolation	[2]
10	31001165	1	BOILER JACKET B5	
11	4697	2	SCREW M6X16	
12	11619	2	Møtrik M6	
13	107143146	2	WASHER SERRATED M6	
15	101118094	1	COUPLING KIT 90D ISO 8434 M18X1.5 THREAD	
16	107143147	1	HP HOSE DN10 560 DKL-DKL	
17	101118093	1	T-FITTING M18 X 1.5 THREAD	
18	1081	1	Tilslutningsmøtrik, Galv.	
19	107143083	1	TEMPERATUR SENSOR PT100 W/CABLE	
20	1803220	1	Kontramøtrik M18X1,5	
21	107143082	1	OUTLET FITTING	

Part Notes:

- [1] - TSB-PPW-2017-011 Stainless Steel heat exchangers new stay material and new spare part numbers
 [2] - TSB-HPW-2021-002 Chamotte stones in insulation removed



Pos.	Vare-nr	Antal	Beskrivelse	Notes
	31001229	1	OIL ISO 150 ALPHASYN-T 20L	
0	5218433	1	Pumpeolie ISO 150 (1 liter)	[1]
1	107144126	1	FAN COVER RF	
1A	31000488	4	SCREW M5X8 CYLINDER HEAD PH NOTCH RF	
1B		4	Lock washer M5 DIN 7980 A zinc plated	
1C		4	Plain washer M5 DIN125A galv	
2	107144125	1	FAN W LOCK RING RF	
3	31000148	1	Rear Bearing Cover Rf	
4	31000149	1	Leje, Rf	
5	107140876	1	COVER FOR E-BOX ON MOTOR	
6	107140875	1	SEALING BETWEEN E-BOX AND MPU	[2]
7	2767	7	Pakning 10,5X2	
7A	10204	1	SERRATED LOCK WASHER A10	
8	8927	4	HEXAGON HEAD CAP SCREW M10X 35 ISO 4017	
9	1800465	4	Møtrik M10	
9	1802966	4	Nut Hex M10 A2 DIN 934	
10	6863	8	SCREW M8X35	
10A	2798	8	LOCK WASHER 8	
10B	2762	8	Skive	
11	107140880	1	KEY 6X6X32 A DIN 6885	
12	107140881	6	SCREW M5X12 DIN 7985 TORX	
13	107140877	1	OIL CONTAINER TOP	
14	101118173	1	OIL SENSOR W/PLUG KIT	
15	107143094	1	OIL CONTAINER BOTTOM	
16	107140882	1	O-RING 15.0 X 3.0 SMS 1586 NBR70	
17	106408208	1	COPPER SEALING 17X25X1.5	
18	6150400	1	Bundprop	
19	101118067	1	FRONT BEARING COVER CPL.	
20	3001146	1	Olietætningsring	
21	106408215	1	O-RING 126.71 X 1.78 NBR 72	
22	6100995	1	Skive	
25	3200656	2	Nåleleje Ina K 40X46X17	
26	3200615	1	Rulleleje	
27	106408212	1	WOBBLE DISC POLISHED 5.8DEG	[3]
27	106408211	1	WOBBLE DISC POLISHED 5.05DEG	[4]
27	106408210	1	WOBBLE DISC POLISHED 4.3DEG	[5]
28	106408204	1	WASHER D32 x D20.1 x 3 STEEL	
29	1802057	1	Circlip external 20x1.2 Spring steel, bl	
30	106408206	1	CYL. ROLLER BEARING K81 212-TV AX. D11	
31	106408207	1	BEARING TRACK THRUST	
32	106408249	1	FEET FOR MOTOR	
33	106408202	1	MOTOR 7.5KW. 3X230/400-220/440	[6]
33	106408200	1	MOTOR 6.8KW. 3X230/400-220/440	[7]
33	106408185	1	MOTOR NA6 7KW/200/50/3PH	[8]
34	107142593	1	HOLDING WASHER PE	
35	101406054	1	Sponge Rubber Ø4 L 1M	

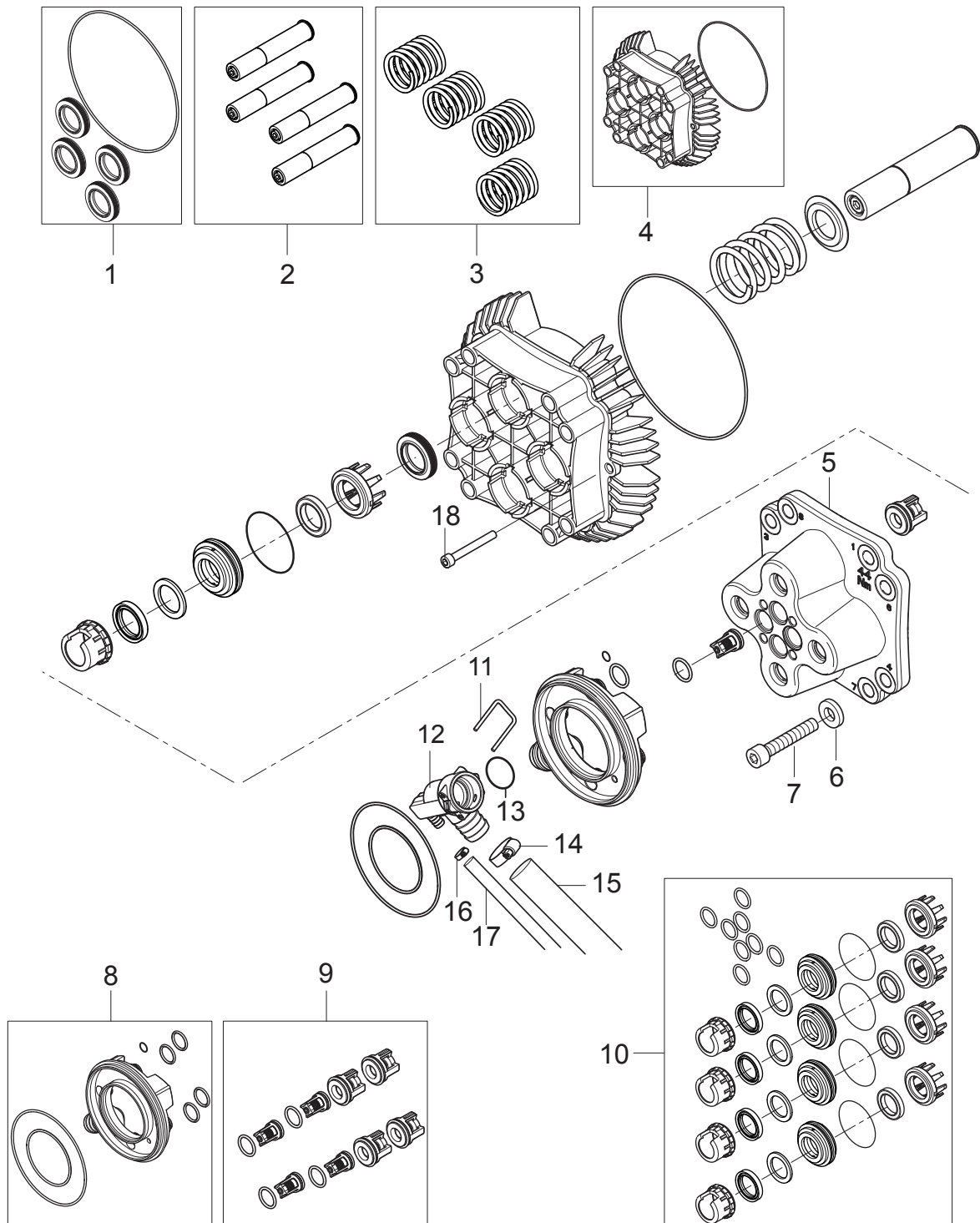
Part Notes:

- [1] - 0,8L - OIL TYPES_QUANTITY for HPW_APRIL 2017
 [2] - TSB-PPW-2018-012 NA5_NA6 mpu. Water enters into the stator.
 [3] - TSB-PPW-2019-007 C3 NA6 Wobble Disc and Bearing Track surface hardening change

Machine no. 107146961MH 6P-200/1300, 107146964MH 6P-200/1300, 107146971 MH 7P-200/1300. MH6P 175/1250FA 107146960.

- [4] - TSB-PPW-2019-007 C3 NA6 Wobble Disc and Bearing Track surface hardening change
 Machine no. 107146966 MH6P-200/1300 Exp, 107146977 MH6P-210/1100 JP 50Hz
 [5] - TSB-PPW-2019-007 C3 NA6 Wobble Disc and Bearing Track surface hardening change
 Machine no. 107146978 MH6P-210/1100 JP 60Hz
 [6] - MH6P-200/1300 Exp+EU+NO+Gerni
 Also order Gasket for motor, 107140875
 [7] - MH6P-175/1250 EU
 Also order Gasket for motor, 107140875

- [8] - MH6P-210/1100 JP 50+60Hz
Also order Gasket for motor, 107140875



Pos.	Vare-nr	Antal	Beskrivelse	Notes
1	101118057	1	SEAL KIT FOR CYLINDER BLOCK NA6	
2	101118066	1	PISTON KIT NA6	
3	101118059	1	RETURN SPRING - KIT NA6	
4	101118060	1	CYLINDER BLOCK - KIT NA6	
5	106408197	1	PUMP HEAD D24 NA6	
6	2767	8	Pakning 10,5X2	
7	1813393	8	Skruer M10X100	
8	101118285	1	INLET MANIFOLD KIT MH 6	
9	101118275	1	OUTLET/INLET VALVE KIT PLASTIC/STEEL-NA6	
10	101118276	1	WATER SEAL KIT - NA6	[1]
11	107143085	1	LOCK PIN	
12	107143142	1	WATER LIMITER L	[2]
12	107143143	1	WATER LIMITER XL	[3]
13	107143088	1	O-RING 18.72X2.62	
14	8298	2	Spændebånd	
15	107143031	1	FUELFLEX HOSE D28/D20 10BAR/20°	
16	11654	1	Slangeklemme	
17	106408243	1	HOSE 1/4INCH TRANSPARENT - 5 METERS	
18	31410	2	SCREW M6 X 50 DIN 912 8.8 FZG	

Part Notes:

- [1] - Implementation date: July 2017
Serial Number: 3520172701255
TSB-PPW-2017-017 NA6_NA6plus Water Seal Kit changes
DE TSB-PPW-2017-017 NA6 und NA6 Wasserdichtungskit Überarbeitung
FR TSB-PPW-2017-017 Changement des kit joints d'eau pompe NA6
- [2] - MH6P-210/1100 JP
- [3] - MH6P - not MH6P-210/1100 JP

Pos.	Vare-nr	Antal	Beskrivelse	Notes
1	9543	4	CYLINDER SCREW M8X55 ISO 4762 ST 8.8/ZN	
2	107144137	1	Unloader Plug Na5	
3	6221529	1	Dæksel F. Ventilhus	
4	101118183	1	PISTON KIT FOR VENTING VALVE	
5	101117890	1	Housing For Venting Valve	
6	3001740	1	O-Ring 7,66X1,78 Nitril	
7	107140794	1	VENTURI TUBE D2.3 RED	
9	101118184	1	RETURN VALVE BY-PASS - KIT MH	[1]
10	1821	1	Fitting	
11	3001740	1	O-Ring 7,66X1,78 Nitril	
12	106408259	1	NA6 FA BYPASS MH	
13	106408196	1	WASHER D12.95 X D4.6 X 0.9 BRASS	
14	106408195	1	RETAINING RING SIZE 13 DIN472	
15	106408189	1	NUT M8 X 1 FOR UNLOADER VALVE FA	
16	107146563	1	SCREW POINTED DIN 913 M4X16 FZG	
17	107143003	1	REGULATOR KNOB NA5/NA6 NILFISK	
17	107143004	1	REGULATOR KNOB NA5/NA6 GERNI	[2]
18	101118050	1	SEALING KIT FOR NA6	
19	101118051	1	PLUG FOR UNLOADER VALVE FA - KIT NA6	
20	101118049	1	CONTROL UNIT - KIT NA6	
21	6100928	1	Kontramøtrik	
22	6100940	1	Justerskrue	
23	3001070	1	O-ring Ø13,1 x 1,6 Nitril	
24	1802644	1	Kugle Ø7 Rf	
25	101118118	1	OPENING VALVE REP. KIT NA5 NA6 FA	
26	1601079	1	Ligeforskruing	
27	1801075	1	Tætningskive 3/8"	
28	101118094	1	COUPLING KIT 90D ISO 8434 M18X1.5 THREAD	
29	107143005	1	PLATE FOR REG. KNOB	
30	107146562	1	DIN 413 M4X30 POINTED SCREW	
31	107146561	1	PIN DIA 3 X 18MM STAINLESS STEEL	
32	107144239	1	PLUG NA6FA BYPASS VALVE	[3]

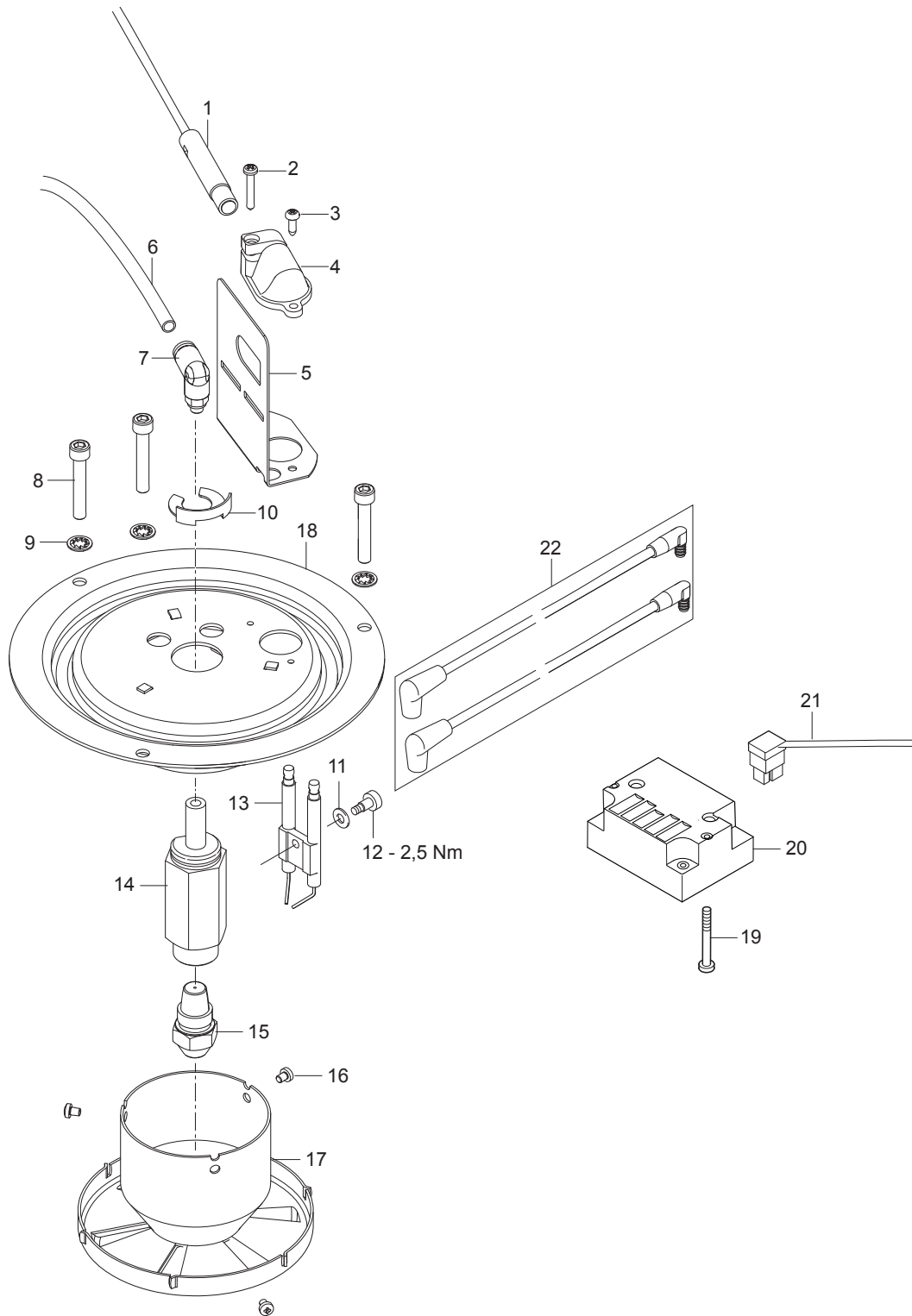
Part Notes:

- [1] - Spring included: OD8,45 x L16,5 x d0,7
- [2] - ALTERNATIVE USE 107143003 BLUE
- [3] - MH 6P-210/1100 FA 200/3/50-60 JP

TSB-PPW-2020-009 NA6 FA pump in MC and MH models unstable by-pass

DE TSB-PPW-2020-009 NA6 FA Pumpe in MC und MH Instabile Bypass Funktion

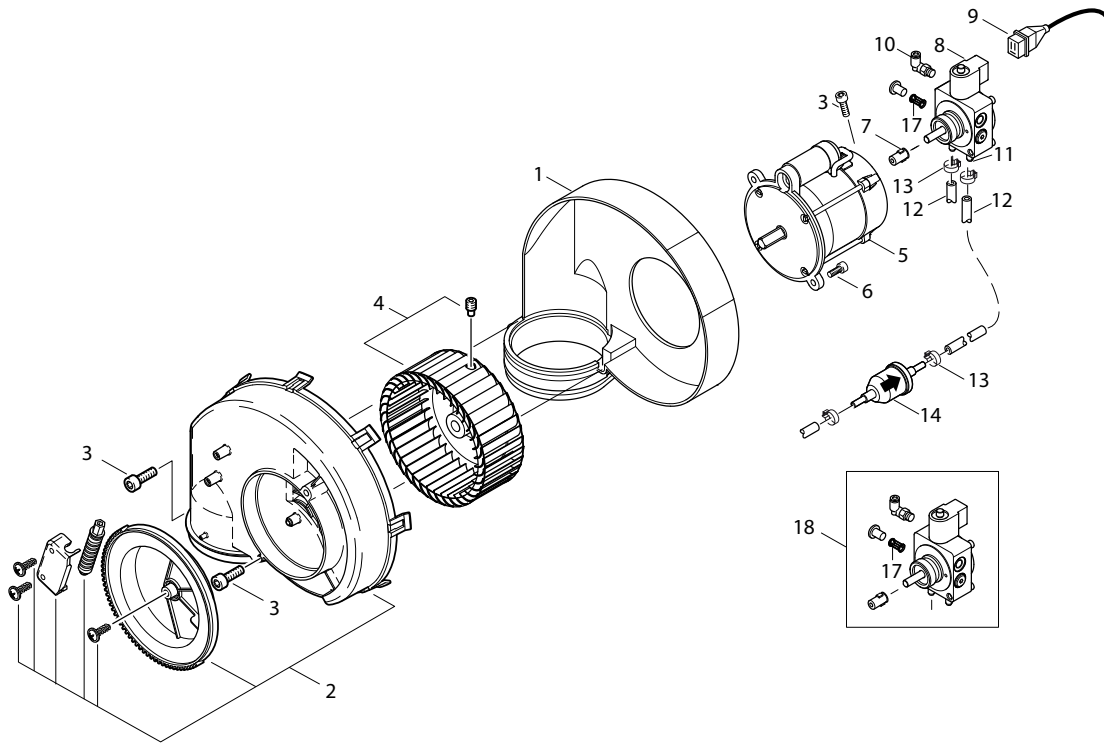
TSB-PPW-2020-009 By-pass instable NA6 FA



Pos.	Vare-nr	Antal	Beskrivelse	Notes
1	107143100	1	FLAME SENSOR WITH CABLE	
2	5606	1	Metal Skruer	
3	4036	1	Skruer 2,9X9,5	
4	301000934	1	Holder Flammeføler	
5	107143101	1	SHIELD FOR FLAME SENSOR	
6	909100141	1	Slange	
7	101117913	1	Elbow 4/M5 Push-In	
8	3873	3	SCREW M5X30	
9	3376	3	Låseskive	
10	101117876	1	Circlips	
11	909100144	1	Fjederskive	
12	909100143	1	Skruer	
13	301150009	1	Tændelegte	
14	101117915	1	Oil Nozzle Holder	
15	301000886	1	Oljedyse	
16	51848	3	Skruer	
17	301001834	1	Air Distributor Ø94X59,2	
18	301000606	1	Dæksel	[1]
19	909100149	2	Skruer 5X50	
20	101117759	1	Tændtransformer 220-240V	[2]
21	107143098	1	PRIMARY CABLE FOR IGNITION COIL	
22	101118220	1	2 X IGNITION CORDS KIT	

Part Notes:

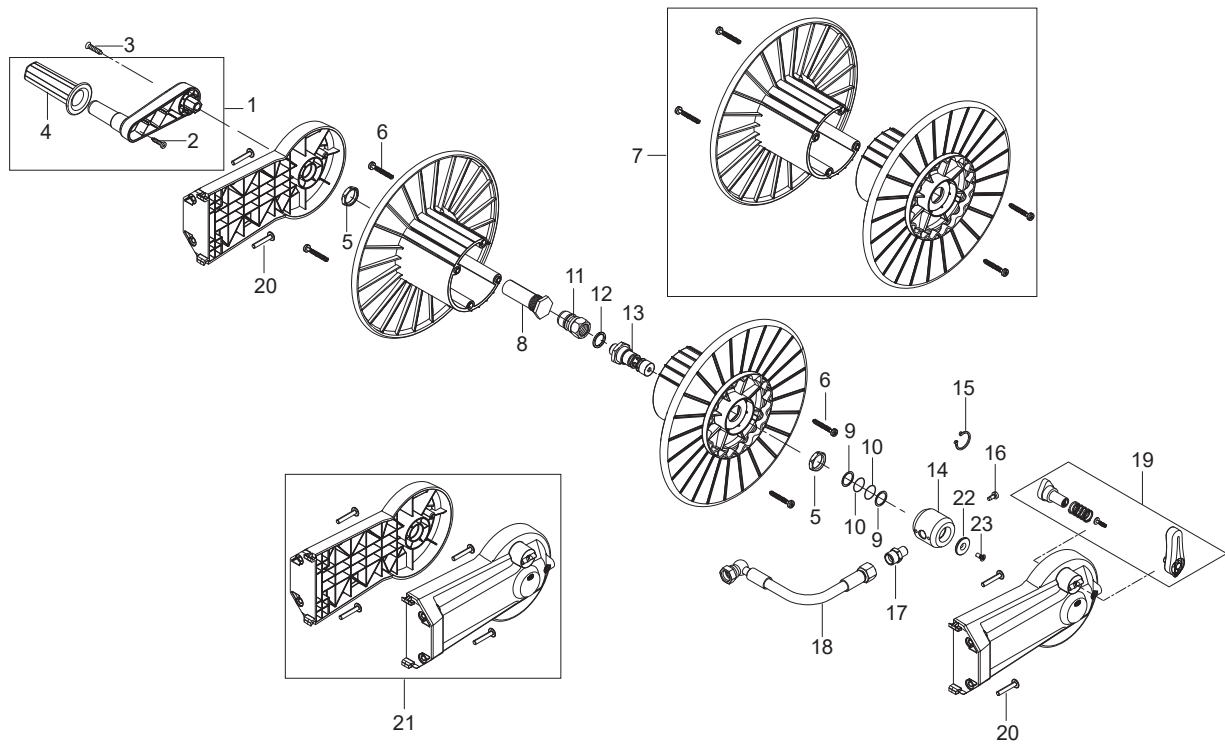
- [1] - MH5, MH6, MH7, MH8
 [2] - TSB-PPW-2018-004 Boiler cannot start - no ignition
 FR TSB-PPW-2018-004 Le bruleur ne démarre plus
 DE TSB-PPW-2018-004 Brenner startet nicht - keine Zündung



Pos.	Vare-nr	Antal	Beskrivelse	Notes
1	301000495	1	Kedelblæse Hus	
2	301000852	1	Dælsel For Kedelblæserhus	
3	32535	3	SCREW M5X16	
4	301000889	1	Kedelblæsehjul	[1]
4	301002126	1	FAN WHEEL	[2]
5	107143096	1	MOTOR BURNER - 0.23KW/230V/50HZ/1PH	[1]
5	107143097	1	MOTOR BURNER 390W/200-240V/50/60HZ	[2]
6	4697	2	SCREW M6X16	
7	101117707	1	Coupling For Oil Pump Bfa 01 L3L	
8	3821089	1	Spole (Danfoss)	
9	107143095	1	CABLE FOR SOLENOID VALVE 2X0.5	
10	101117706	1	Push-In Angle Fitting	
11	101117777	1	HOSE CONNECTIONS FOR OIL PUMP BFA 01 L3	
12	106408244	1	Slange Ø6X2.5 - 5 meter	
13	301001133	2	Slangeklemme Ø10/7	
14	301002926	1	Filter	
17	31001081	1	FILTER FOR OIL PUMP	
18	101117673	1	Oilepumpe Incl. Fittings	

Part Notes:

- [1] - MH 5M-210/1100 FA 400/3/50 Gerni, MH 5M-210/1100 FAX 400-230/3/50 NO, MH 6P-175/1250 FAX 400/3/50 EUMH 6P-200/1300 FAX 400/3/50 EU, MH 7P-180/1260 FA 400/3/50 EU
- [2] - MH 5M-210/1100 FA 440-220/3/60 EXPT, MH 6P-210/1100 FA 200/3/50-60 JP, MH 6P-195/1350 FA 440-220/3/60 EXPT, MH 7P-180/1260 FA 200/3/50-60 JP



Pos.	Vare-nr	Antal	Beskrivelse	Notes
0	106403184	1	Slangerulle	
1	101118215	1	HÅNDTAG SLANGERULLE	
2	107141838	2	SCREW K50X18 WN1451 BLACK TORX20	
3	107141673	1	SCREW M6X45 ISO 7380 BLACK TORX	
4	107143007	1	ROTATING HANDLE FOR HOSE REEL NILFISK	
5	62696	2	Møtrik	
6	909100153	4	Ejot-Skrue K60X40	
7	101118209	1	HOSE REEL SIDE KIT	
8	107141675	1	AXLE FOR HOSE REEL	
9	107143017	2	BACK-UP RING	
10	19620	2	O-ring	
11	1600493	1	Ergo højtryksskobling DN10 3/8" han	
12	1801075	1	Tætningsskive 3/8"	
13	107143123	1	SWIVEL FOR HOSE REEL	
14	101118317	1	BEARING BUSH KIT	[1]
15	1802057	1	Circlip external 20x1.2 Spring steel, bl	[2]
16	107141690	1	SCREW M5X12 DIN7985 TORX TAPTITE	
17	54590	2	Forskruning	
18	107143114	1	CONNECTION HOSE DN8 FOR HOSE R	
19	101118212	1	Ø20KE HANDLE FOR HOSE REEL NILFISK KIT	
20	107143010	4	SCREW M6X35	
21	101118208	1	HOSE REEL ADAPTOR KIT	
22	107143125	1	WASHER 25 FOR COUNTERSUNK M5	[3]
23	107143124	1	COUNTERSUNK M5X12 ISO 14581	[3]
		1	Mounting instr. for Hose Reel Nilfisk	[4]

Part Notes:

- [1] - TSB-PPW-2019-005 MH Hose Reel Screw 107143124 can break
DE TSB-PPW-2019-005 MH Schlauchtrommel Schraube 107143124 kann brechen
TSB-PPW-2019-005 vis cassée à l'enrouleur des MH
- [2] - Up to 07.2016
- [3] - TSB-PPW-2016-018 MH 4M Hose Reel Circlip
- [4] - Mounting instructions MH Nilfisk hose reel

Pos.	Vare-nr	Antal	Beskrivelse	Notes
1	106403122	1	Ergo 2000 spulehåndtag m. svivel	[1]
3	106403011	1	Tornado Plus dyserør u. dyse 100 cm	[2]
4	1602945	1	KEW kobling, indiv. gevind 3/4"	[3]
4	1600659	1	KEW kobling slange-ende 3/4" han	[3]
4	61369	1	Universal messing-kobling 3/4" han	
5	101119749	1	Tornado Plus dyse 1/8" 0750 Lys rød	[4]
5	101119748	1	Tornado Plus dyse 1/8" 0700 Rødorange	
6	6101766	1	Højtryksslange 10 m dobbelt-wire DN10	[5]
7	1402072	1	Højtryksslange 20 m dobbelt-wire DN10	[6]
	106403196	1	REMOTE CONTROL 2X DETERGENT ACCESSORY	[7]

Part Notes:

- [1] - ERGO 2000 Spray handle
- [2] - TORNADO PLUS lance
- [3] - UK, JP
- [4] - Only MH 6P 175/1250
- [5] - MH6, MH7without hose reel
HOSES Overview
- [6] - MH6, MH7with hose reel (X-tra)
HOSES Overview
- [7] - 106403196 - Remote control

