

STYKLISTE

Side 1

MODEL 2012NB

| Pos. | Art.nr. | Betegnelse | Stk. | Note |
|------|----------|--------------------------------|------|------|
| 001 | 654561-8 | KLEMME (LF1000) | 1 | |
| 002 | 631371-0 | SIGNALLAMPE | 1 | |
| 006 | 418416-9 | AFDÆKNING F. AFBRYDER (2012NB) | 1 | |
| 007 | 251991-0 | SCHRAUBE 4x12 | 2 | |
| 008 | 632519-7 | AFBRYDER (2012NB) | 1 | |
| 011 | 417041-3 | SCHALTEGEHAEUSE | 1 | |
| 012 | 417038-2 | SCHALTERGEHAEUSEDECKEL | 1 | |
| 013 | 265995-6 | BLIKSKRUE 4x18###(266326-2) | 2 | |
| 014 | 266026-4 | SKRUE M4x12 (5703R) | 2 | |
| 015 | 682516-3 | KNÆKBESKYTTER | 1 | |
| 016 | 665865-3 | ANSCHLUSSLEITUNG | 1 | |
| 017 | 265995-6 | BLIKSKRUE 4x18###(266326-2) | 2 | |
| 018 | 687052-4 | KABELKLEMMEPLADE (4100NB) | 1 | |
| 019 | 687042-7 | KABELKLEMMEPLADE (LS1013) | 1 | |
| 020 | 911128-8 | KOMBI-SKRUE M4X16 (HR4000C) | 1 | |
| 021 | 851968-1 | TYPENSCHILD 2012NB | 1 | |
| 022 | 922312-0 | SKRUE M6X12 | 1 | |
| 023 | 267080-1 | SKIVE 6 (2012NB) | 1 | |
| 024 | 221525-3 | DRIVHJUL 10 (2012NB) | 1 | |
| 025 | 266059-9 | BLIKSKRUE 5X75 | 4 | |
| 026 | 151739-9 | GETRIEBEGEHAEUSE | 1 | |
| 027 | 253715-0 | UNDERLAGSSKIVE 6 | 1 | |
| 028 | 226134-3 | TANDHJUL 8-50 | 1 | |
| 029 | 253715-0 | UNDERLAGSSKIVE 6 | 1 | |
| 030 | 253215-0 | SKIVE 8 | 1 | |
| 031 | 226135-1 | TANDHJUL 8-46 | 1 | |
| 032 | 253215-0 | SKIVE 8 | 1 | |
| 033 | 254001-2 | KILE NR. 4 | 1 | |
| 034 | 253760-5 | SKIVE 14 | 1 | |
| 035 | 323923-8 | WELLE | 1 | |
| 036 | 226518-5 | STIRNRAD 47 | 1 | |
| 037 | 253744-3 | SKIVE 12 | 1 | |
| 038 | 151738-1 | GETRIEBEGEHAEUSEDECKEL | 1 | |
| 039 | 225083-1 | REM 8-341 (2012NB) | 1 | |
| 040 | 222155-3 | KILEREMSKIVE 8-23,5L (2012NB) | 1 | |
| 041 | 151737-3 | MOTORHUS (2012NB) | 1 | |
| 042 | 526104-5 | FELT (2012NB) | 1 | |
| 043 | 211087-9 | KUGLELEJE | 1 | |
| 044 | 681623-9 | FLANGE 20-16MM (9500DW) | 1 | |
| 045 | 516813-4 | ANKER (2012NB) | 1 | |
| | | INC. 43,44,47,188 | | |
| 046 | 417033-2 | FELDAFDÆKNING (2012NB) | 1 | |
| 047 | 211087-9 | KUGLELEJE | 1 | |
| 048 | 266059-9 | BLIKSKRUE 5X75 | 2 | |
| 049 | 922312-0 | SKRUE M6X12 | 1 | |
| 050 | 267080-1 | SKIVE 6 (2012NB) | 1 | |
| 051 | 221525-3 | DRIVHJUL 10 (2012NB) | 1 | |
| 052 | 343844-8 | ABDECKUNG | 1 | |
| 053 | 233016-2 | TRYKFJEDER 15 | 1 | |
| 054 | 231459-2 | DRUCKFEDER 13 | 1 | |
| 055 | 819064-1 | MAKITA SKILT (HR4000C) | 1 | |
| 056 | 214251-1 | GLIDELEJE 17 (2012NB) | 1 | |
| 057 | 922221-3 | 6KANT-SKRUE M5X16 | 2 | |
| 058 | 643650-4 | KULDÆKSEL 6,5-13,5 | 2 | |
| 059 | 181044-0 | KULSÆT CB-153 | 1 | |
| 060 | 162216-6 | DRIVAKSEL 34-295 (2012NB) | 1 | |
| 061 | 233392-4 | DRUCKFEDER 13A | 1 | |
| 062 | 341685-6 | ABDECKUNG A | 1 | |
| 063 | 922221-3 | 6KANT-SKRUE M5X16 | 2 | |
| 064 | 214251-1 | GLIDELEJE 17 (2012NB) | 1 | |
| 065 | 265854-4 | 6-KANT SKRUE IND. M6x12 | 1 | |

STYKLISTE

Side 2

MODEL 2012NB

| Pos. | Art.nr. | Betegnelse | Stk. | Note |
|------|----------|---------------------------------|------|------|
| 066 | 222154-5 | KILEREMSKIVE 8x54 (2012NB) | 1 | |
| 067 | 911128-8 | KOMBI-SKRUE M4X16 (HR4000C) | 3 | |
| 068 | 317259-5 | LAGERSCHILD | 1 | |
| 069 | 211206-7 | KUGLELEJE 6202LLB | 1 | |
| 070 | 254204-8 | KILE NR.4 254204-8 | 1 | |
| 071 | 323928-8 | AKSEL (2012NB) | 1 | |
| 072 | 211206-7 | KUGLELEJE 6202LLB | 1 | |
| 073 | 962153-2 | LÅSERING R-35 | 1 | |
| 074 | 793346-8 | HSS VENDEKNIV 306mm (2012NB) | 1 | |
| 075 | 343682-8 | TRYKPLADE F. VENDEKNIV (2012NB) | 2 | |
| 076 | 251609-3 | 6-KANT SKRUE M/FLANGE M6X17 | 12 | |
| 077 | 225520-5 | KÆDE | 1 | |
| 078 | 922312-0 | SKRUE M6X12 | 1 | |
| 079 | 267080-1 | SKIVE 6 (2012NB) | 1 | |
| 080 | 221525-3 | DRIVHJUL 10 (2012NB) | 1 | |
| 081 | 922221-3 | 6KANT-SKRUE M5X16 | 2 | |
| 082 | 343844-8 | ABDECKUNG | 1 | |
| 083 | 252426-4 | MØTRIK M14 | 1 | |
| 084 | 214251-1 | GLIDELEJE 17 (2012NB) | 1 | |
| 085 | 231459-2 | DRUCKFEDER 13 | 1 | |
| 086 | 162216-6 | DRIVAKSEL 34-295 (2012NB) | 1 | |
| 087 | 233392-4 | DRUCKFEDER 13A | 1 | |
| 088 | 214251-1 | GLIDELEJE 17 (2012NB) | 1 | |
| 089 | 341685-6 | ABDECKUNG A | 1 | |
| 090 | 922221-3 | 6KANT-SKRUE M5X16 | 2 | |
| 091 | 226786-0 | KEGELRAD 15 | 1 | |
| 092 | 253828-7 | SKIVE 10 | 1 | |
| 093 | 417034-0 | GLEITLAGERSCHALE | 1 | |
| 094 | 266040-0 | SKRUE CT 4X25 | 2 | |
| 095 | 323926-2 | WELLE | 1 | |
| 096 | 417034-0 | GLEITLAGERSCHALE | 1 | |
| 097 | 266040-0 | SKRUE CT 4X25 | 2 | |
| 098 | 253828-7 | SKIVE 10 | 1 | |
| 099 | 226786-0 | KEGELRAD 15 | 1 | |
| 100 | 951122-8 | FJEDERSTIFT 4-28 | 1 | |
| 101 | 344815-8 | PLADE | 1 | |
| 102 | 231793-0 | FJEDER 5 | 1 | |
| 103 | 251283-7 | SCHRAUBE M5 | 1 | |
| 104 | 417035-8 | REMDÆKSEL | 1 | |
| 105 | 266040-0 | SKRUE CT 4X25 | 2 | |
| 106 | 251322-3 | SKRUE M5x12(+) | 2 | |
| 107 | 252427-2 | MØTRIK M14L | 1 | |
| 108 | 233016-2 | TRYKFJEDER 15 | 1 | |
| 109 | 213009-5 | O-RING 4 | 1 | |
| 110 | 911233-1 | KOMBI-SKRUE 5x20 HR4000C | 1 | |
| 111 | 253194-2 | SKIVE 5 | 1 | |
| 112 | 257600-9 | HYLSTER 6 (2012NB) | 1 | |
| 113 | 231588-1 | FJEDER 9 (2012NB) | 1 | |
| 114 | 344068-9 | ANZEIGER | 1 | |
| 115 | 266026-4 | SKRUE M4x12 (5703R) | 1 | |
| 116 | 322229-1 | ANSCHLAGSTIFT | 1 | |
| 117 | 266040-0 | SKRUE CT 4X25 | 2 | |
| 118 | 266173-1 | BLIKSKRUE PT 5x30 9015B | 2 | |
| 119 | 265736-0 | SCHRAUBE M6x135 | 1 | |
| 120 | 323927-0 | GEWINDEBOLZEN | 1 | |
| 121 | 231226-5 | FJEDER 11 (LC1230) | 1 | |
| 122 | 256688-6 | STIFT 8 (2012NB) | 1 | |
| 123 | 271296-2 | KNOB 45 (2012NB) | 1 | |
| 124 | 272028-0 | HEBEL 160 | 1 | |
| 125 | 961012-7 | STOPRING E-6 | 1 | |
| 126 | 951122-8 | FJEDERSTIFT 4-28 | 1 | |

STYKLISTE

Side 3

MODEL 2012NB

| Pos. | Art.nr. | Betegnelse | Stk. | Note |
|------|----------|------------------------------|------|------|
| 127 | 266086-6 | SKRUE M5X16###(911225-0) | 1 | |
| 128 | 317760-0 | KUPPLUNGSSTUECK | 1 | |
| 129 | 417032-4 | DÆKSEL (2012NB) | 1 | |
| 130 | 816358-5 | SKALA (2012NB) | 1 | |
| 131 | 266240-2 | SEKSKANTSKRUE M10x25 | 4 | |
| 132 | 153779-3 | TOP COVER COMPLETE | 1 | |
| 133 | 417036-6 | HALTER F.BOX | 1 | |
| 134 | 165379-7 | SPANABHUEHRUNG | 1 | |
| 135 | 417036-6 | HALTER F.BOX | 1 | |
| 136 | 265716-6 | SKRUE M 5x10 (3901) | 2 | |
| 137 | 265995-6 | BLIKSKRUE 4x18###(266326-2) | 2 | |
| 138 | 265995-6 | BLIKSKRUE 4x18###(266326-2) | 2 | |
| 139 | 344816-6 | BORDPLADE (2012NB) | 1 | |
| 140 | 266026-4 | SKRUE M4x12 (5703R) | 4 | |
| 141 | 344819-0 | GUIDE PLATE | 2 | |
| 142 | 911128-8 | KOMBI-SKRUE M4X16 (HR4000C) | 2 | |
| 143 | 417040-5 | SEITENDECKEL | 1 | |
| 144 | 344820-5 | SEITENVERSTREBUNG | 2 | |
| 145 | 922323-5 | SEKSKANTSKRUE M6X16 (2012NB) | 4 | |
| 146 | 251217-0 | BINDING | 4 | |
| 147 | 253932-2 | SPINDELSKRUE 10 (3600B) | 4 | |
| 148 | 911108-4 | SKRUE M4X8###(265171-2) | 8 | |
| 149 | 344818-2 | TRAGARM | 4 | |
| 150 | 344817-4 | KLAPPTISCHE | 2 | |
| 151 | 266240-2 | SEKSKANTSKRUE M10x25 | 4 | |
| 152 | 266213-5 | SKRUE M5x12 | 4 | |
| 153 | 323925-4 | GEVINDSTANG L | 1 | |
| 154 | 331562-0 | AFSTANDSRØR | 4 | |
| 155 | 317763-4 | GRUNDPLADE (2012NB) | 1 | |
| 156 | 323924-6 | GEVINDSTANG R | 1 | |
| 157 | 151886-6 | SEITENDECKEL MIT SKALA | 1 | |
| 158 | 911128-8 | KOMBI-SKRUE M4X16 (HR4000C) | 2 | |
| 159 | 232195-3 | BLADFJEDER | 2 | |
| 160 | 266026-4 | SKRUE M4x12 (5703R) | 2 | |
| 161 | 211088-7 | KUGLELEJE 6000DDW PC11 | 1 | |
| 162 | 285698-6 | LEJEAFDÆKNING 33 | 1 | |
| 163 | 266026-4 | SKRUE M4x12 (5703R) | 3 | |
| 164 | 256226-4 | STIFT###(266251-5) | 1 | |
| 165 | 252164-8 | SECHSKANTMUTTER M10-17 | 1 | |
| 166 | 226791-7 | TANDHJUL 15 (2012NB) | 1 | |
| 167 | 317260-0 | HALTERUNG A | 1 | |
| 168 | 216011-7 | STÅLKUGLE 5,6 (HR2220) | 1 | |
| 169 | 931403-6 | 6KANT-MØTRIK M8 (5500S) | 1 | |
| 170 | 922231-0 | 6KANT-SKRUE M5x20 | 2 | |
| 171 | 265846-3 | SEKSKANTSKRUE M8X16 | 1 | |
| 172 | 417030-8 | GETRIEBEABDECKUNG | 1 | |
| 173 | 266026-4 | SKRUE M4x12 (5703R) | 1 | |
| 174 | 211088-7 | KUGLELEJE 6000DDW PC11 | 1 | |
| 175 | 285698-6 | LEJEAFDÆKNING 33 | 1 | |
| 176 | 266026-4 | SKRUE M4x12 (5703R) | 3 | |
| 177 | 256226-4 | STIFT###(266251-5) | 1 | |
| 178 | 252164-8 | SECHSKANTMUTTER M10-17 | 1 | |
| 179 | 226791-7 | TANDHJUL 15 (2012NB) | 1 | |
| 180 | 317260-0 | HALTERUNG A | 1 | |
| 181 | 216011-7 | STÅLKUGLE 5,6 (HR2220) | 1 | |
| 182 | 931403-6 | 6KANT-MØTRIK M8 (5500S) | 1 | |
| 183 | 922231-0 | 6KANT-SKRUE M5x20 | 2 | |
| 184 | 265846-3 | SEKSKANTSKRUE M8X16 | 1 | |
| 185 | 417030-8 | GETRIEBEABDECKUNG | 1 | |
| 186 | 266026-4 | SKRUE M4x12 (5703R) | 1 | |
| 187 | 153731-1 | MESSERWELLENGEHAEUSE KPL. | 1 | |

STYKLISTE

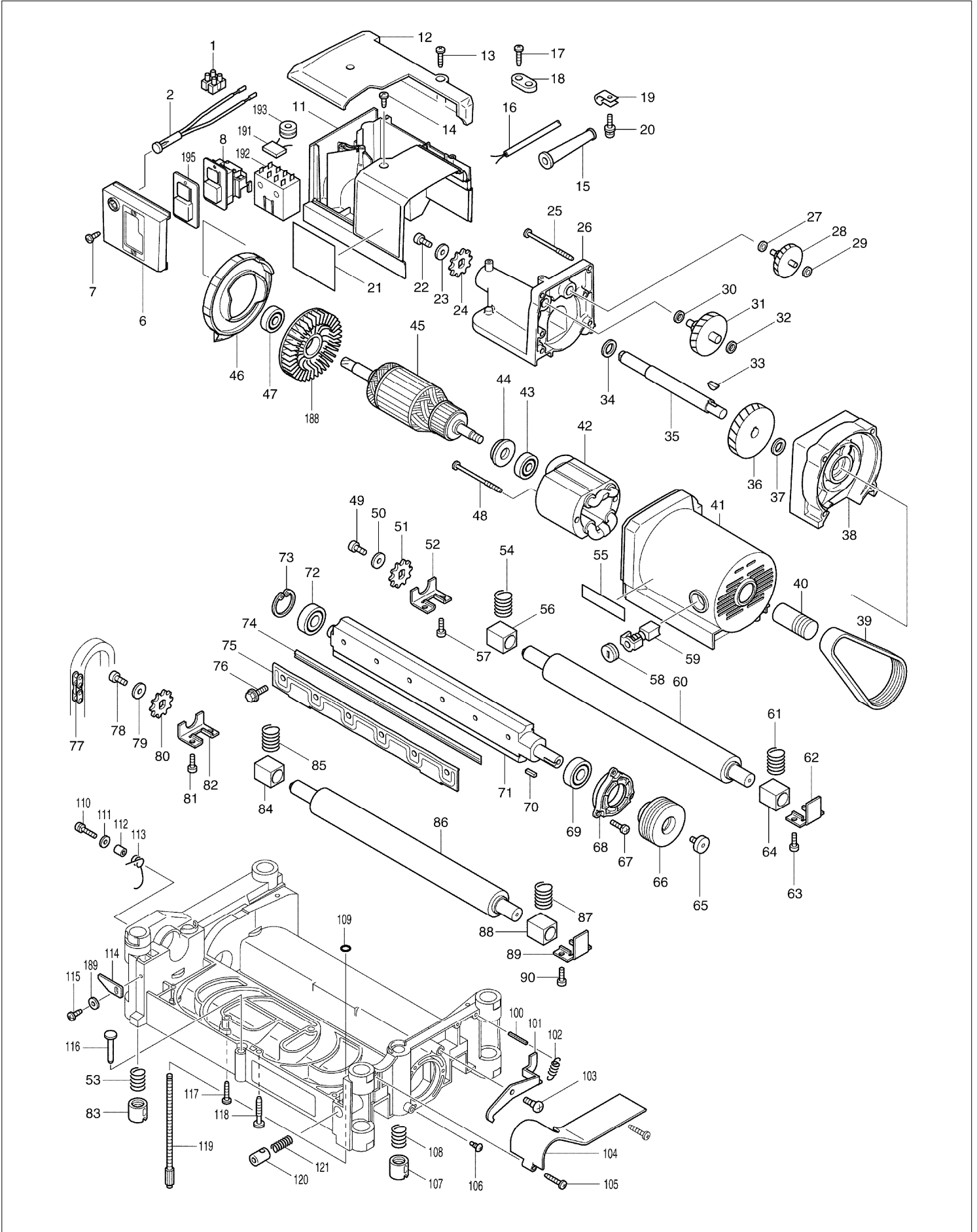
Side 4

MODEL 2012NB

| Pos. | Art.nr. | Betegnelse | Stk. | Note |
|------|----------|----------------------------|------|------|
| 188 | 240003-4 | FAN 80 (2012NB) | 1 | |
| 189 | 941051-3 | UNDERLAGSSKIVE 4 (CL100DZ) | 1 | |
| 191 | 645200-1 | KONDENSATOR###(645118-6) | 1 | |
| 192 | 638897-3 | RELAY UNIT | 1 | |
| 193 | 688131-1 | FILTER (HM1810) | 1 | |
| 194 | 282017-7 | KÆDE (2012NB) | 1 | |
| 195 | 414301-4 | STØVBESKYTTER (2012NB) | 1 | |
| A01 | 762014-4 | MAGNETHOLDER (2012NB) | 2 | |
| A02 | 782203-5 | NØGLE SW9 (2012NB) | 1 | |
| A03 | 783208-8 | 6-KANTNØGLE 2,5 | 1 | |
| A04 | 824002-0 | AFDÆKNING (2012NB) | 1 | |
| A05 | 122696-8 | AFDÆKNING (2012NB) | 1 | |
| A06 | 194053-0 | STAND SET | 1 | |

EKSPLOSIONSTEGNING

MODEL 2012NB



EKSPLOSIONSTEGNING

MODEL 2012NB

