

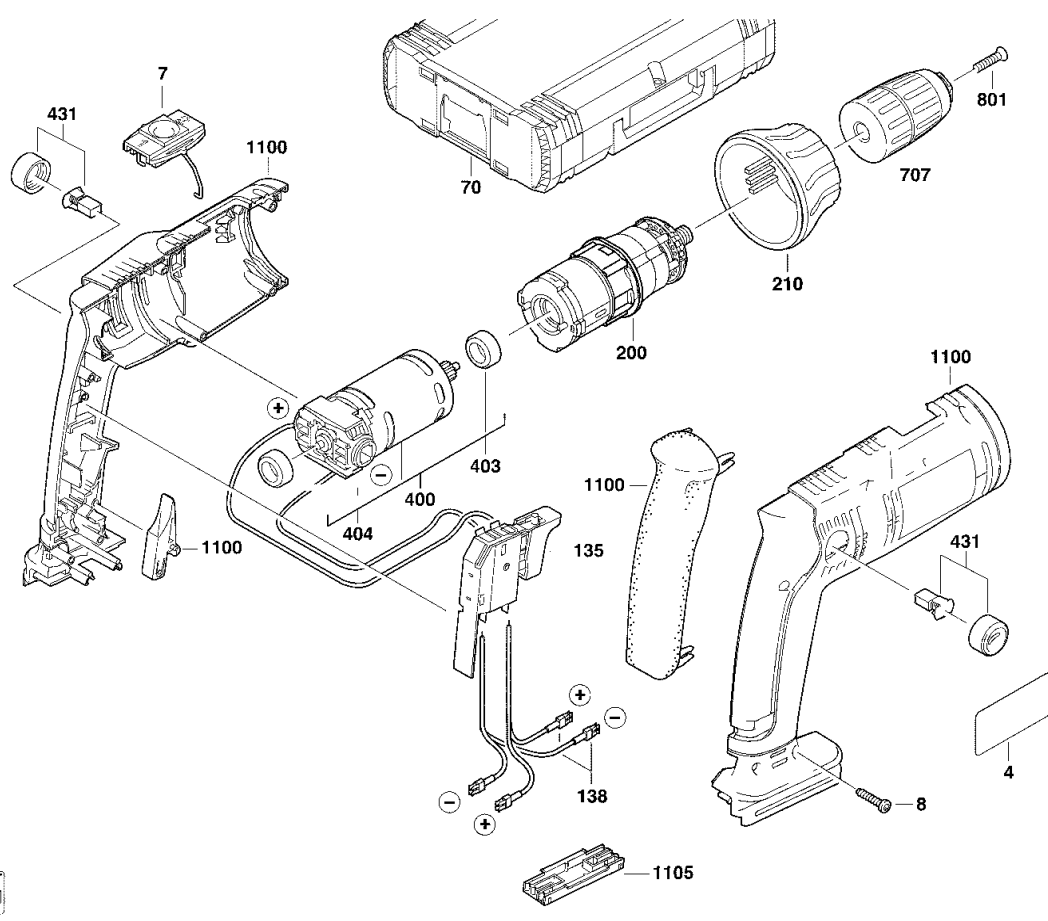
A & M Electric Tools

Battery Tools

| Ind | Product No. | Type | Voltage | Country |
|-----|-------------|------|---------|---------|
| a | 4000386241 | P12P | 12V | *** |

| Ind | Product No. | Type | Voltage | Country |
|-----|-------------|------|---------|---------|
| | | | | |

| Milwaukee | | | |
|--------------|---------|----------|------|
| P 12 P | | | |
| Exp.view No. | Version | Date | Page |
| 4926 3862 45 | 0003 | 28.09.05 | 1/1 |



| Pos | Index | Quanti | Article No. | Designation |
|------|--------|--------|-------------|----------------------|
| 0004 | a..... | 1 | 4931386247 | RATING PLATE |
| 0007 | a..... | 1 | 4931363810 | SLIDING SWITCH |
| 0008 | a..... | 7 | 4931622708 | SCREW |
| 0070 | a..... | 1 | 4932378986 | CARRYING CASE |
| 0135 | a..... | 1 | 4931400345 | SWITCH BOARD |
| 0138 | a..... | 1 | 4931376525 | WIRE |
| 0200 | a..... | 1 | 4931366894 | OBTAIN BULLETIN 0102 |
| 0210 | a..... | 1 | 4931366893 | JUMPER RING |
| 0400 | a..... | 1 | 4931376207 | MOTOR |
| 0403 | a..... | 1 | 4931363798 | RUBBER SLEEVE |
| 0404 | a..... | 1 | 4931366834 | RUBBER SLEEVE |
| 0431 | a..... | 1 | 4931376574 | CARBON BRUSH SET |
| 0707 | a..... | 1 | 4932376533 | QUICK ACTION CHUCK |
| 0801 | a..... | 1 | 4931400026 | LOCKING SCREW |
| 1100 | a..... | 1 | 4931376843 | BODY |
| 1105 | a..... | 1 | 4931349089 | INSERT |

| Pos | Index | Quanti | Article No. | Designation |
|-----|-------|--------|-------------|-------------|
| | | | | |

Repairs/modification and testing of electric power tools are to be carried out by specialists. The safety regulations according to DIN/VDE/CEE/AFNOR and other regulations valid in the different countries are to be observed.