

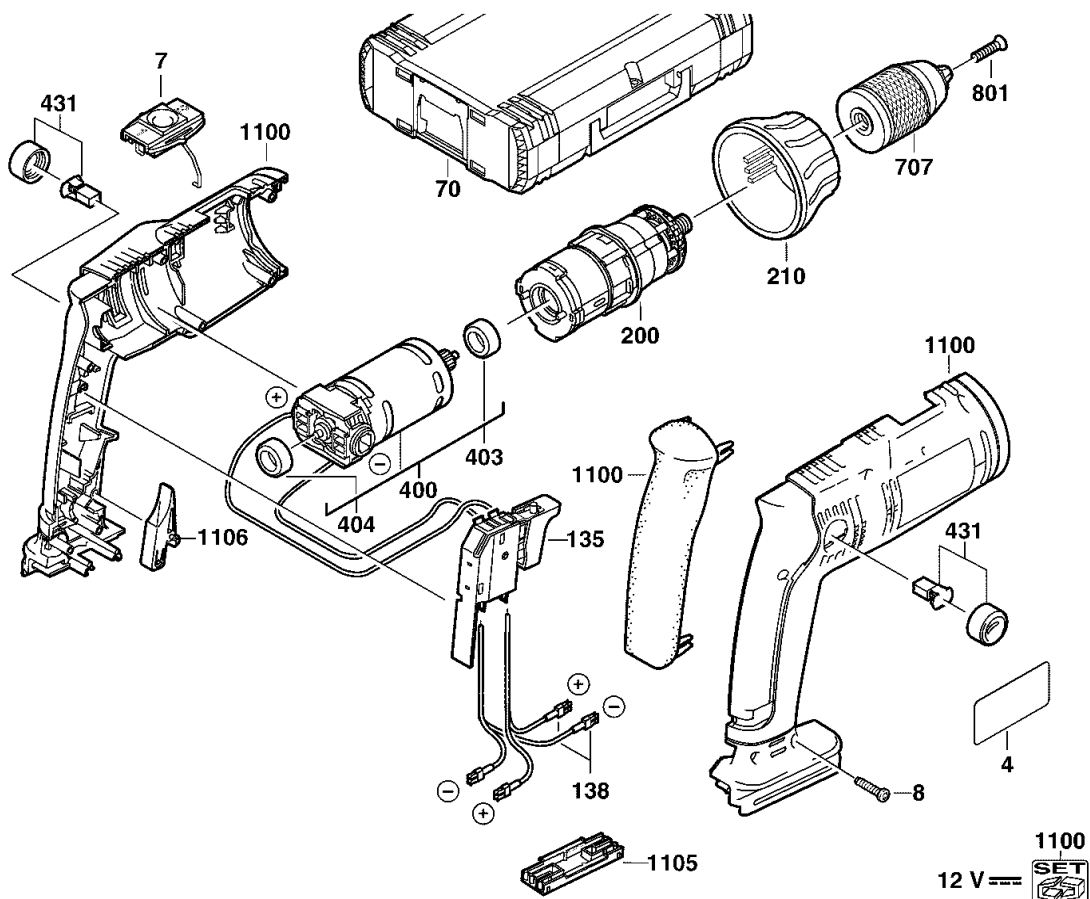
A & M Electric Tools

Battery Tools

Ind	Product No.	Type	Voltage	Country
a	4000386576	S12PX	12V	***

Ind	Product No.	Type	Voltage	Country

Milwaukee			
S12PX			
Exp.view No.	Version	Date	Page
4926 3865 78	0003	04.12.03	1/1



Pos	Index	Quanti	Article No.	Designation
0004	a.....	1	4931386579	RATING PLATE
0007	a.....	1	4931363810	SLIDING SWITCH
0008	a.....	7	4931622708	SCREW
0070	a.....	1	4932378986	CARRYING CASE
0135	a.....	1	4931400345	SWITCH BOARD
0138	a.....	1	4931376525	WIRE
0200	a.....	1	4931386465	GEAR BOX
0210	a.....	1	4931389627	JUMPER RING
0400	a.....	1	4931376748	MOTOR
0403	a.....	1	4931363798	RUBBER SLEEVE
0404	a.....	1	4931366834	RUBBER SLEEVE
0431	a.....	1	4931376574	CARBON BRUSH SET
0707	a.....	1	4932371913	QUICK ACTION CHUCK
0801	a.....	1	4931401643	LOCKING SCREW
1100	a.....	1	4931376843	BODY
1105	a.....	1	4931349089	INSERT
1106	a.....	1	4931376135	BLADE HOUSING

Pos	Index	Quanti	Article No.	Designation

Repairs/modification and testing of electric power tools are to be carried out by specialists. The safety regulations according to DIN/VDE/CEE/AFNOR and other regulations valid in the different countries are to be observed.