

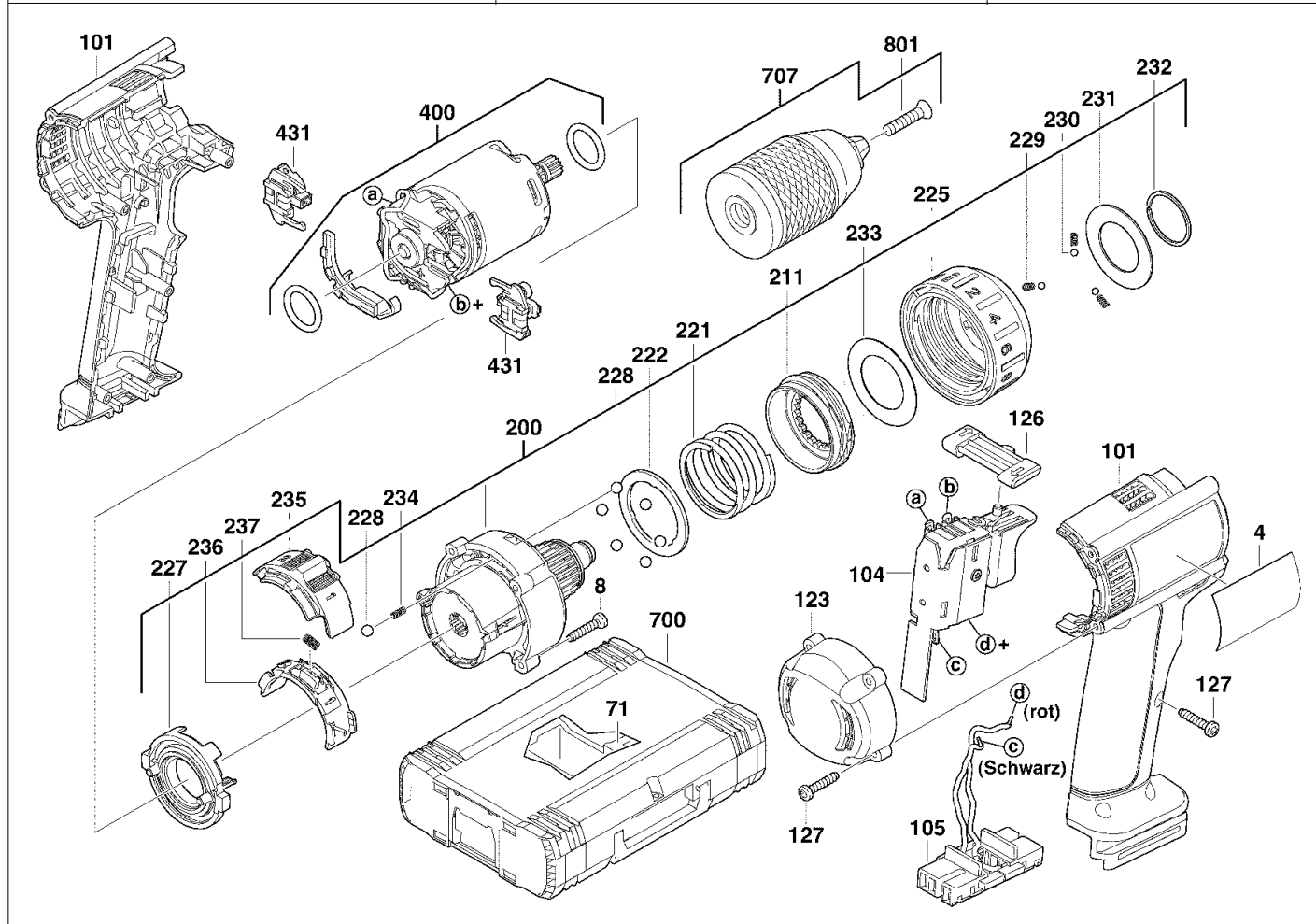
A & M Electric Tools

Battery Tools

Ind	Product No.	Type	Voltage	Country
a	4000401471	PDD14.4 LOKTOR	14,4V	***

Ind	Product No.	Type	Voltage	Country

Milwaukee			
PDD 14.4 LOKTOR			
Exp.view No.	Version	Date	Page
4926 4014 73	0001	30.11.06	1/1



Pos	Index	Quanti	Article No.	Designation
0004	a.....	1	4931401474	RATING PLATE
0008	a.....	4	4931622708	SCREW
0071	a.....	1	4931390334	INSERT
0101	a.....	1	4931401450	HOUSING
0104	a.....	1	4931400349	SWITCH BOARD
0105	a.....	1	4931388199	WIRE
0123	a.....	1	4931388200	HOUSING CAP
0126	a.....	1	4931388008	SLIDING SWITCH
0127	a.....	9	4931622708	SCREW
0200	a.....	1	4931388118	GEAR BOX
0211	a.....	1	4931388188	SET COLLAR
0221	a.....	1	4931388223	PRESSURE SPRING
0222	a.....	1	4931388192	CLUTCH DISC
0225	a.....	1	4931388198	JUMPER RING
0227	a.....	1	4931388191	BEARING END PLATE
0228	a.....	7	4931805413	BALL
0229	a.....	3	4931388194	PRESSURE SPRING
0230	a.....	3	4931944281	BALL
0231	a.....	1	4931388195	WASHER
0232	a.....	1	4931624350	SPRING RING
0233	a.....	1	4931388207	WASHER
0234	a.....	1	4931388206	PRESSURE SPRING

Pos	Index	Quanti	Article No.	Designation
0235	a.....	1	4931388059	SLIDING SWITCH
0236	a.....	1	4931388058	SLIDING SWITCH
0237	a.....	1	4931388205	PRESSURE SPRING
0400	a.....	1	4931388213	MOTOR
0431	a.....	1	4931390341	BRUSH HOLDER PAIR
0700	a.....	1	4932378986	CARRYING CASE
0707	a.....	1	4932371913	QUICK ACTION CHUCK
0801	a.....	1	4931401643	LOCKING SCREW

Repairs/modification and testing of electric power tools are to be carried out by specialists. The safety regulations according to DIN/VDE/CEE/AFNOR and other regulations valid in the different countries are to be observed.