

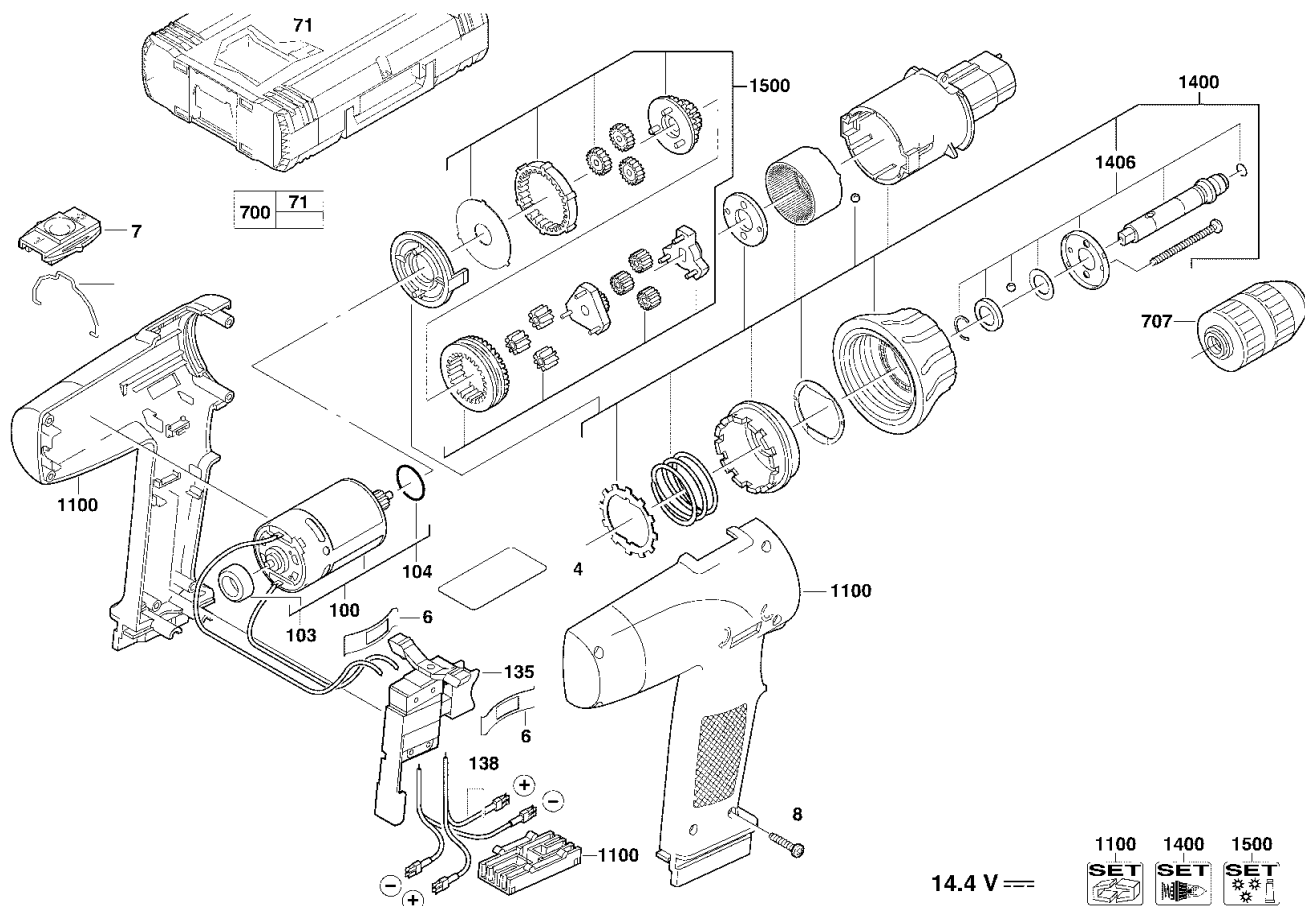
# A & M Electric Tools

# Battery Tools

Ind	Product No.	Type	Voltage	Country
a	4000401251	PES14.4T F	14,4V	***

Ind	Product No.	Type	Voltage	Country

Milwaukee			
PES 14.4 T			
Exp.view No.	Version	Date	Page
4926 4012 53	0001	14.03.06	1/1



Pos	Index	Quanti	Article No.	Designation
0004	a.....	1	4931401254	RATING PLATE
0006	a.....	2	4931348216	PROTECTIVE CAP
0007	a.....	1	4931359614	SLIDING SWITCH
0008	a.....	6	4931622708	SCREW
0071	a.....	1	4931390334	INSERT
0100	a.....	1	4931389644	MOTOR
0103	a.....	1	4931332388	RUBBER SLEEVE
0104	a.....	1	4931622829	O-RING
0135	a.....	1	4931359880	SWITCH
0138	a.....	1	4931360955	CABLE SET
0700	a.....	1	4932378986	CARRYING CASE
0707	a.....	1	4932376531	QUICK ACTION CHUCK
1100	a.....	1	4931386349	BODY
1400	a.....	1	4931356742	GEAR HEAD
1406	a.....	1	4931356740	SPINDLE
1500	a.....	1	4931356744	GEAR BOX

Pos	Index	Quanti	Article No.	Designation

Repairs/modification and testing of electric power tools are to be carried out by specialists. The safety regulations according to DIN/VDE/CEE/AFNOR and other regulations valid in the different countries are to be observed.