

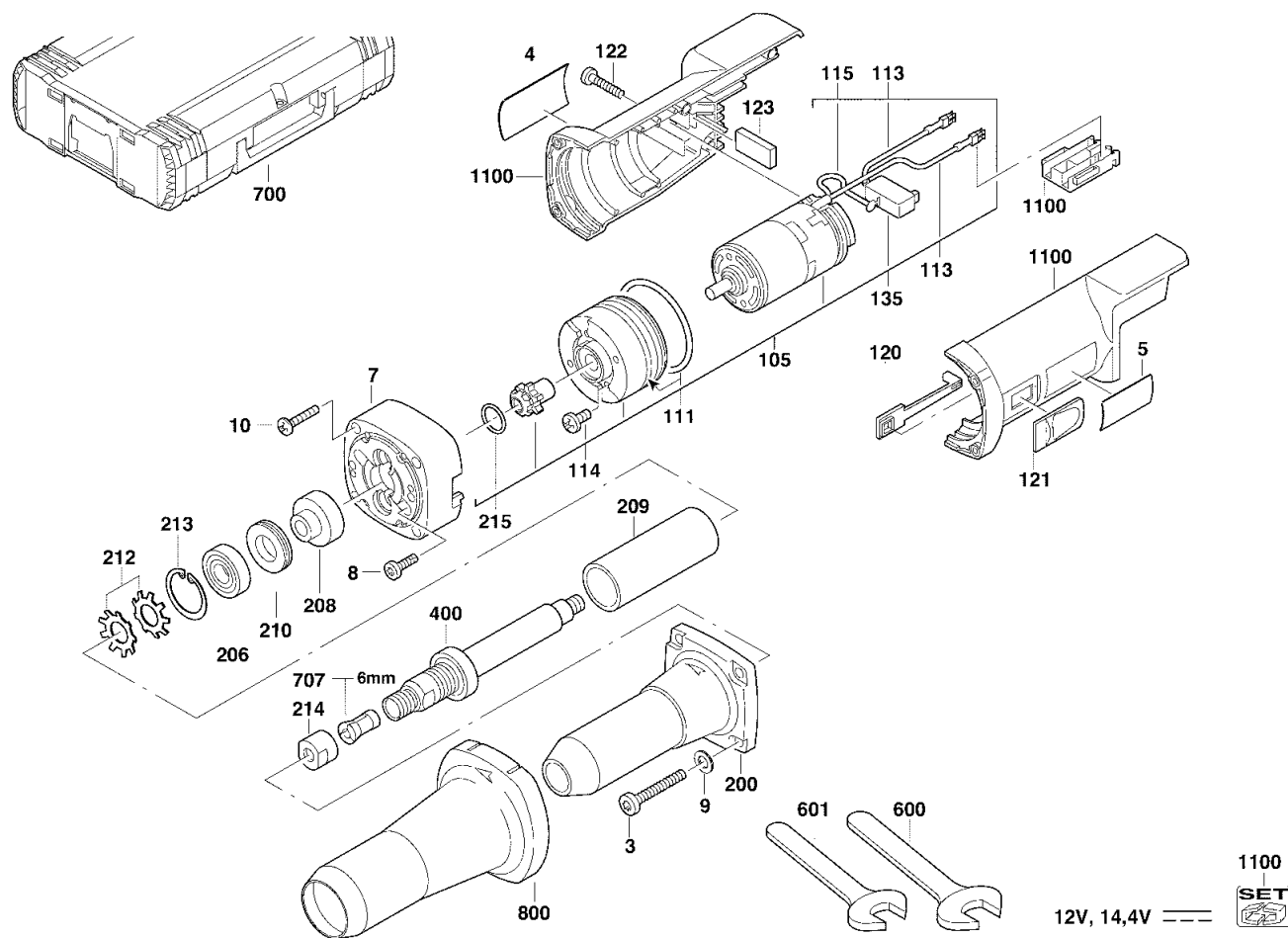
# A & M Electric Tools

# Battery Tools

Ind Product No. Type Voltage Country  
c 4000393041 PSG14.4POWERPLU 12-14,4V \*\*\*

Ind Product No. Type Voltage Country

**Milwaukee**  
**PSG 14.4 PP**  
Exp.view No. Version Date Page  
**4926 3930 42 0003 25.04.05 1/1**



Pos	Index	Quanti	Article No.	Designation	Pos	Index	Quanti	Article No.	Designation
0003	c.....	4	4931317532	SCREW	0212	c.....	2	4931220726	SPRING
0004	c.....	1	4931393049	RATING PLATE	0213	c.....	1	4931884220	LOCKING RING
0005	c.....	1	4931382710	NAME PLATE	0214	c.....	1	4931278544	NUT
0007	c.....	1	4931393046	BEARING END PLATE	0215	c.....	1	4931623232	SEAL RING
0008	c.....	2	4931623048	SCREW	0400	c.....	1	4931278595	GRINDING SPINDLE
0009	c.....	4	4931617426	SEALING WASHER	0600	c.....	1	4931822228	KEY
0010	c.....	4	4931620737	SCREW	0601	c.....	1	4931606563	KEY
0105	c.....	1	4931393047	DRIVE GEAR	0700	c.....	1	4932389357	CARRYING CASE
0111	c.....	1	4931623562	O-RING	0707	c.....	1	4932313192	COLLET
0113	c.....	2	4931623536	WIRE	0800	c.....	1	4931378008	SLEEVE
0114	c.....	2	4931621528	SCREW	1100	c.....	1	4931358934	HOUSING
0115	c.....	1	4931623556	WIRE					
0120	c.....	1	4931349559	SLIDE					
0121	c.....	1	4931358872	SWITCH COVER					
0122	c.....	3	4931622708	SCREW					
0123	c.....	1	4931368224	SUPPORT					
0135	c.....	1	4931349564	SWITCH					
0200	c.....	1	4931378843	BEARING HOUSING					
0206	c.....	1	4931804500	BALL BEARING					
0208	c.....	1	4931279578	COUPLING					
0209	c.....	1	4931208217	DISTANCE SLEEVE					
0210	c.....	1	4931208219	NUT					

Repairs/modification and testing of electric power tools are to be carried out by specialists. The safety regulations according to DIN/VDE/CEE/AFNOR and other regulations valid in the different countries are to be observed.