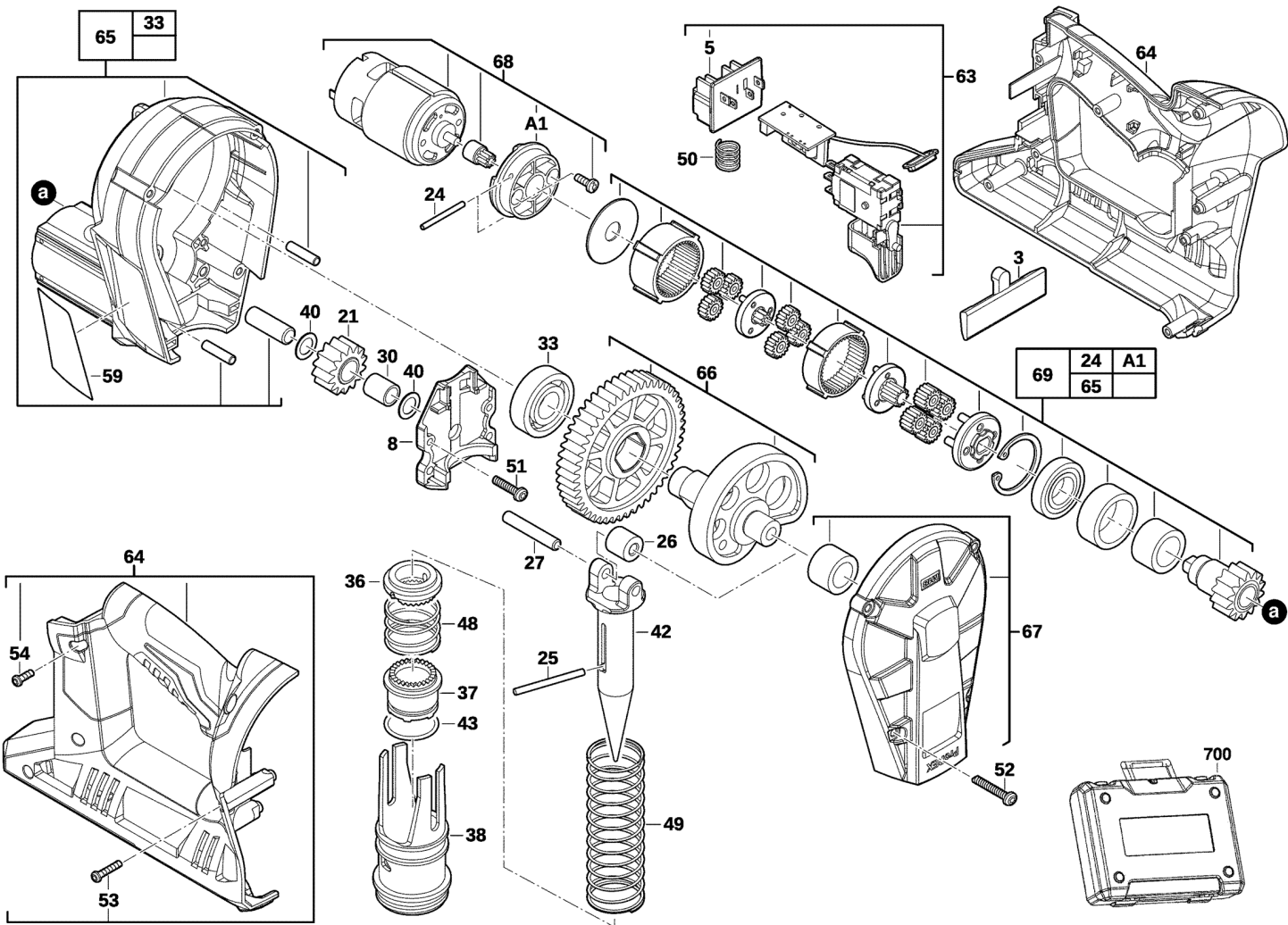


EXPANDER

4933427254 - HD18PXP - 4000427255



Position	Quantity	Description	Part number	EAN
0003	1	LOCK BOTTON	521623001	4002395856817
0005	1	TERMINAL STRIP	302119005	4002395856152
0008	1	DIAPHRAGM	641678001	4002395856831
0021	1	INTERMEDIATE WHEEL	611241001	4002395856824
0024	1	PIN	672281001	4002395854714
0025	1	BOLT	672320001	4002395846634
0026	1	ROLLER	692341001	4002395854738
0027	1	BOLT	672341001	4002395846641
0030	1	NEEDLE BEARING	681471001	4002395854721
0033	1	BALL BEARING	671013003	4002395854707
0036	1	FRICTION DISC	611044001	4002395846993
0037	1	COLLAR	611260001	4002395857067
0038	1	FRAME	692561001	4002395854769
0040	1	WASHER	633487001	4002395856848
0042	1	SPINDLE	692560001	4002395854752
0043	1	O-RING	562464001	4002395846986
0048	1	SPRING	692471001	4002395847013
0049	1	SPRING	692472002	4002395854745
0050	1	SPRING	691093001	4002395823086
0051	1	SCREW	661004001	4002395820429
0052	1	LOCKING SCREW	661004002	4002395854097
0053	1	SCREW	660031016	4002395825172
0054	1	SCREW	660031017	4002395825189
0059	1	NAME PLATE	940038262	4002395854776
0063	1	SWITCH ASSEMBLY	201320006	4002395854080
0064	1	HANDLE COMPL.	200447010	4002395854042
0065	1	GEAR BOX	200001015	4002395854011
0066	1	GEARWHEEL SET	201079004	4002395854073
0067	1	COVER ASSY	200990012	4002395854066
0068	1	MOTOR ASSEMBLY	200663005	4002395854059
0069	1	GEAR BOX	200281044	4002395854035
0700	1	CARRYING CASE	200230021	4002395854028