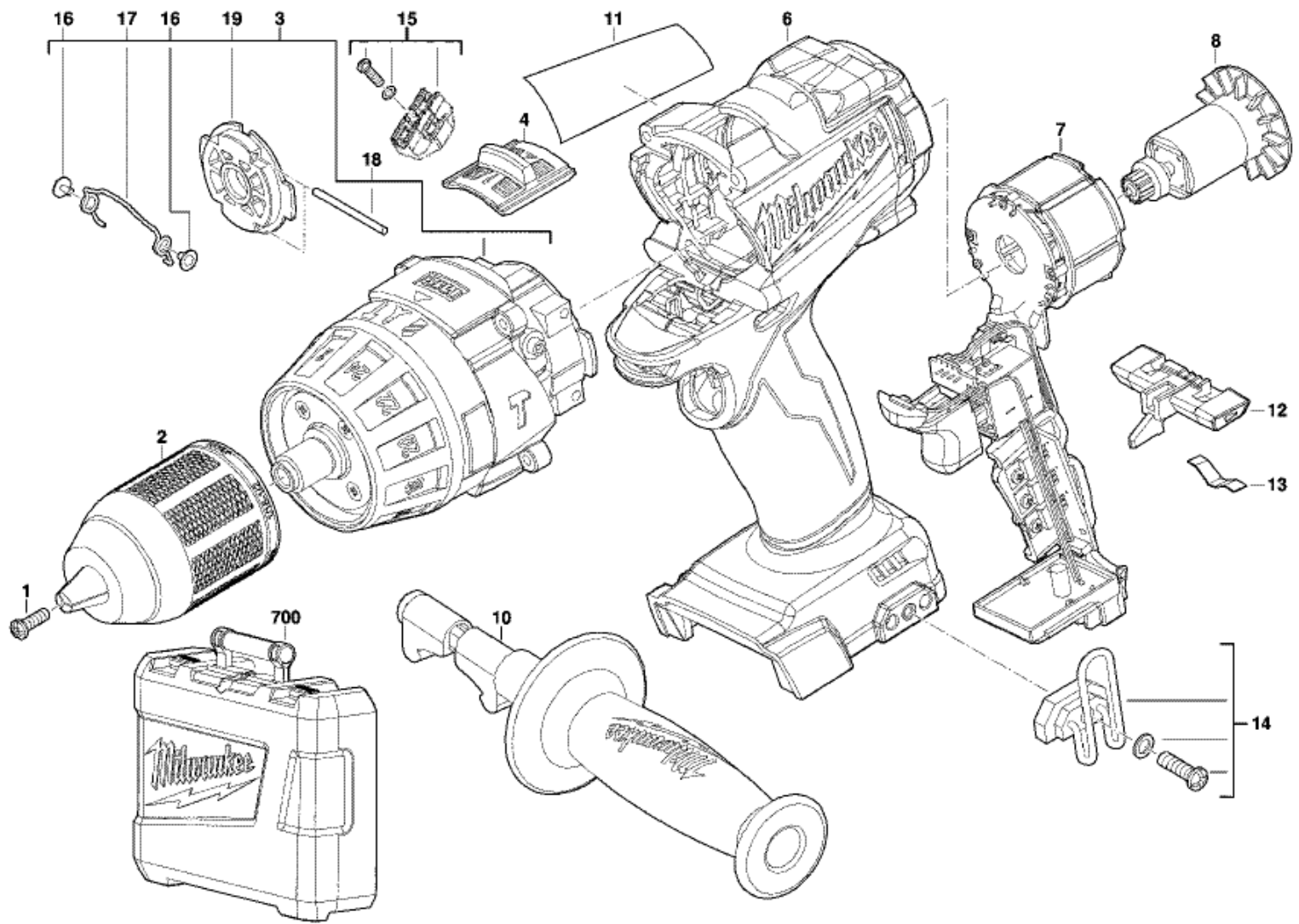


BTY. PERCUSS.DRILL

4933431220 - M18CPD-32C - 4000431221



Position	Quantity	Description	Part number	EAN
0001	1	SCREW	5131001845	
0002	1	CHUCK	4931435284	4002395899814
0003	1	GEAR BOX	4931435282	4002395899807
0004	1	LEVER	4931435281	4002395900602
0006	1	HOUSING	4931435278	4002395902576
0007	1	ELECTRONIC	4931435267	4002395901838
0008	1	MOTOR ASSEMBLY	4931435277	4002395902569
0010	1	HANDLE	4931416738	4002395827480
0011	1	RATING PLATE	4931435283	4002395901869
0012	1	BUTTON	4931435268	4002395902521
0013	1	SPRING PLATE	4931435275	4002395902552
0014	1	HOOK	4931435274	4002395899982
0015	1	BITHOLDER	4931435273	4002395901852
0016	2	SCREW	661262001	4002395839858
0017	1	LEVER	4931435272	4002395899975
0018	1	PIN	4931435271	4002395902545
0019	1	HOLDING DEVICE	4931435270	4002395902538
0700	1	CARRYING CASE	4931435269	4002395901845