

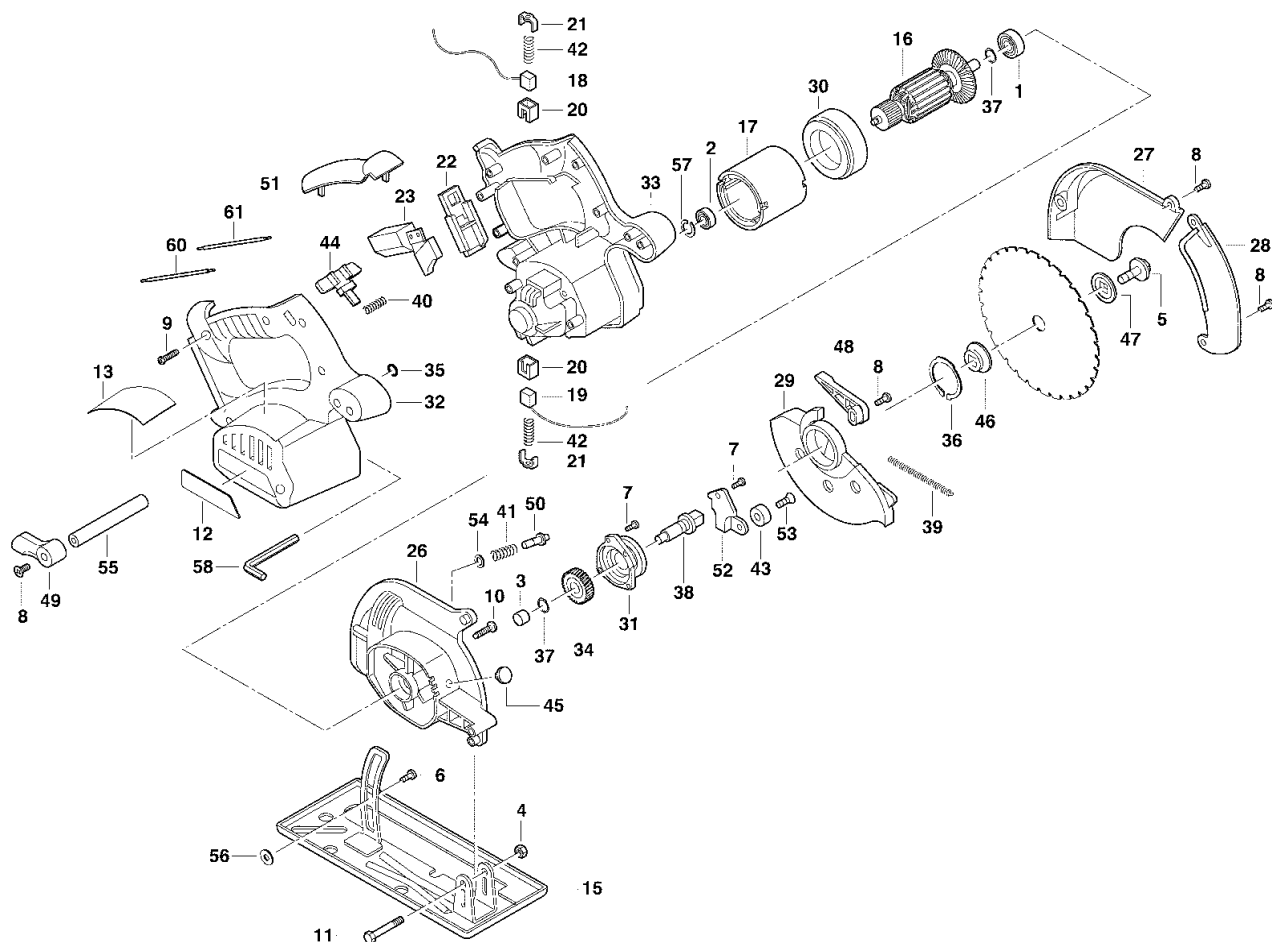
A & M Electric Tools

Battery Tools

Ind	Product No.	Type	Voltage	Country
a	4000393534	PMS18	18V	***
b	4000393534	PMS18	18V	***
c	4000393534	PMS18	18V	***

Ind	Product No.	Type	Voltage	Country

Milwaukee			
PMS 18			
Exp.view No.	Version	Date	Page
4926 3935 35	0001	08.03.06	1/2



Pos	Index	Quanti	Article No.	Designation	Pos	Index	Quanti	Article No.	Designation
0001	abc.....	1	02041212	BALL BEARING	0026	abc.....	1	28140795	GEAR BOX HOUSING
0002	abc.....	1	02045130	BALL BEARING	0027	abc.....	1	28201172	COVER
0003	abc.....	1	02501640	NEEDLE BEARING	0028	abc.....	1	28410945	COVER
0004	abc.....	1	06571100	LOCK NUT	0029	abc.....	1	28410965	GUARD
0005	abc.....	1	06751010	SCREW	0030	abc.....	1	31050350	AIR DEFLECTOR RING
0006	abc.....	1	06755860	SCREW	0031	abc.....	1	31150601	COVER
0007	abc.....	5	06825285	PIN	0032	abc.....	1	31441970	HANDLE RIGHT
0008	abc.....	5	06825314	SCREW	0033	abc.....	1	31441975	HANDLE LEFT
0009	abc.....	8	06827470	SCREW	0034	abc.....	1	32751371	SPINDLE GEAR
0010	abc.....	4	06827475	SCREW	0035	abc.....	1	34404480	O-RING
0011	abc.....	1	06829685	CYLINDRICAL BOLT	0036	abc.....	1	34600860	THRUST COLLAR
0012	abc.....	1	10201850	LABEL	0037	abc.....	2	34600920	RING
0013	abc.....	1	12203410	TYPE PLATE	0038	abc.....	1	38501160	SPINDLE
0015	abc.....	1	14740325	SHOE	0039	abc.....	1	40500045	SPRING
0016	abc.....	1	16012111	ARMATURE	0040	abc.....	1	40500350	SPRING
0017	abc.....	1	18012000	ELECTRIC FIELD	0041	abc.....	1	40508040	PRESSURE SPRING
0018	abc.....	1	22181120	BRUSH HOLDER COMP	0042	abc.....	2	40508745	SPRING
0019	abc.....	1	22181125	BRUSH HOLDER COMP	0043	abc.....	1	42380222	GUARD
0020	abc.....	2	22200425	BRUSH HOLDER	0044	abc.....	1	42421020	SWITCH
0021	abc.....	2	22320420	SPRING	0045	abc.....	1	42421030	PUSH-BUTTON
0022	abc.....	1	22560230	CONNECTION	0046	abc.....	1	43340790	FLANGE
0023	abc.....	1	23661000	SWITCH	0047	abc.....	1	43340795	FLANGE

Repairs/modification and testing of electric power tools are to be carried out by specialists. The safety regulations according to DIN/VDE/CEE/AFNOR and other regulations valid in the different countries are to be observed.

