

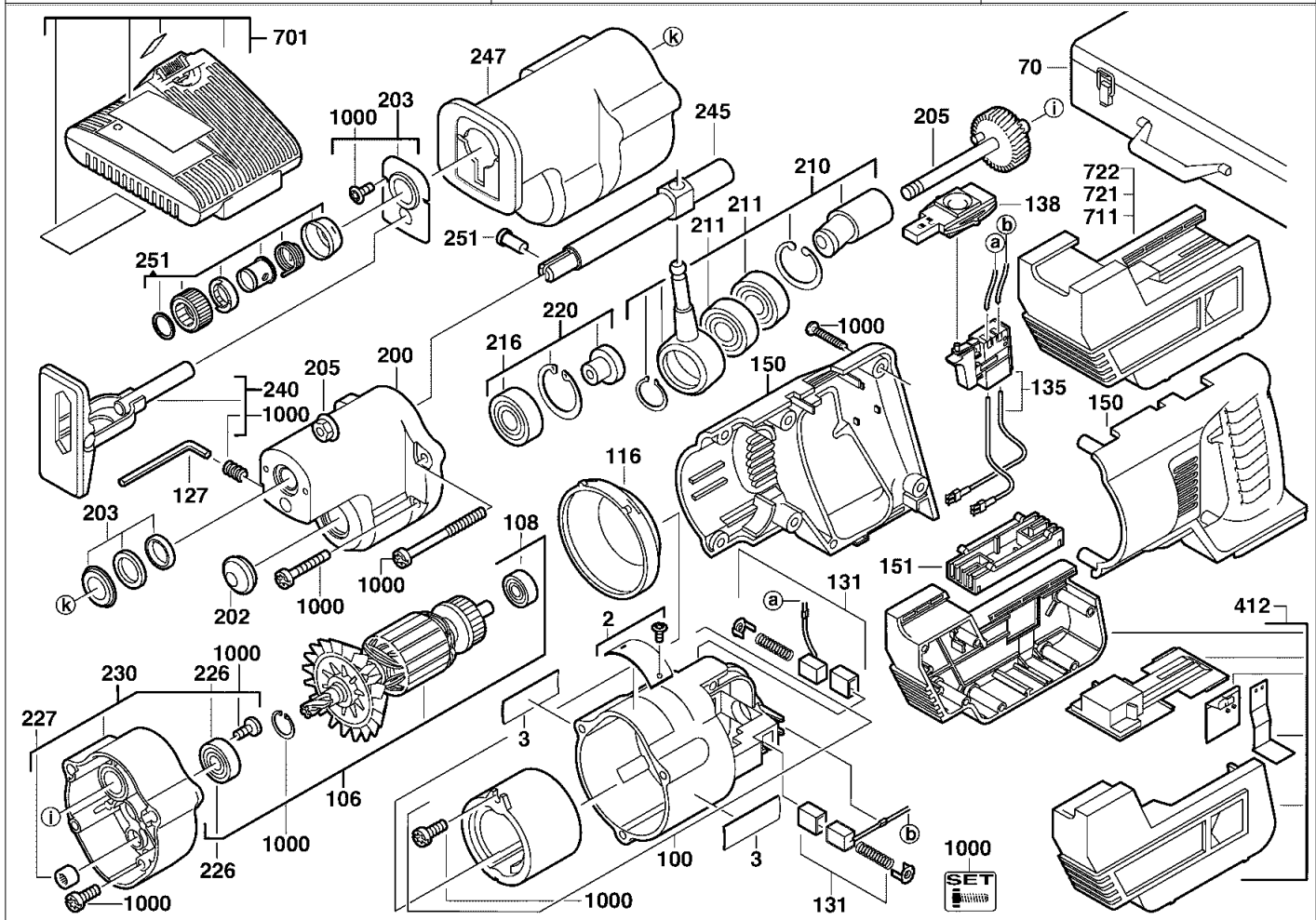
A & M Electric Tools

Battery Tools

Ind	Product No.	Type	Voltage	Country
a	4000382751	PSX18	18V	IN2

Ind	Product No.	Type	Voltage	Country

Milwaukee		Exp.view No.	Version	Date	Page
PSX18		4926 3827 58	0001	10.08.01	1/1



Pos	Index	Quanti	Article No.	Designation
0002	a.....	1	4931382782	RATING PLATE
0003	a.....	2	4931383082	NAME PLATE
0070	a.....	1	4932382756	CARRYING CASE
0100	a.....	1	4931382785	MOTOR HOUSING
0106	a.....	1	4931366661	ARMATURE
0108	a.....	1	02045130	BALL BEARING
0116	a.....	1	4931366142	AIR DEFLECTOR RING
0127	a.....	2	4931606738	KEY
0131	a.....	1	4931366138	BRUSH HOLDER COMP
0135	a.....	1	4931382786	SWITCH
0138	a.....	1	4931382787	SLIDER
0150	a.....	1	31440755	HANDLE LEFT
0151	a.....	1	22560230	CONNECTION
0200	a.....	1	4931354977	GEAR BOX
0202	a.....	1	4931366145	COVER
0203	a.....	1	4931366663	COVER DISCS
0205	a.....	1	4931366149	WORM GEAR WHEEL
0210	a.....	1	4931354974	CONNECTING ROD
0211	a.....	2	4931891058	BALL BEARING
0216	a.....	1	4931891058	BALL BEARING
0220	a.....	1	4931354534	BEARING
0226	a.....	1	4931805312	BALL BEARING

Pos	Index	Quanti	Article No.	Designation
0227	a.....	1	4931621446	NEEDLE BEARING
0230	a.....	1	4931354975	BEARING END PLATE
0240	a.....	1	45160616	STOP
0245	a.....	1	4931375192	RAM SET
0247	a.....	1	4931366143	GUARD
0251	a.....	1	14461012	FIXTEC-SET
0412	a.....	1	4931376311	BODY
0701	a.....	1	4932376084	CHARGER
0711	a.....	1	4932363908	BATTERY PACK
0721	a.....	1	4932386875	BATTERY PACK
0722	a.....	1	4932376306	BATTERY PACK
1000	a.....	1	4931366139	BOLT SET

Repairs/modification and and testing of electric power tools are to be carried out by specialists. The safety regulations according to DIN/VDE/CEE/AFNOR and other regulations valid in the different countries are to be observed.