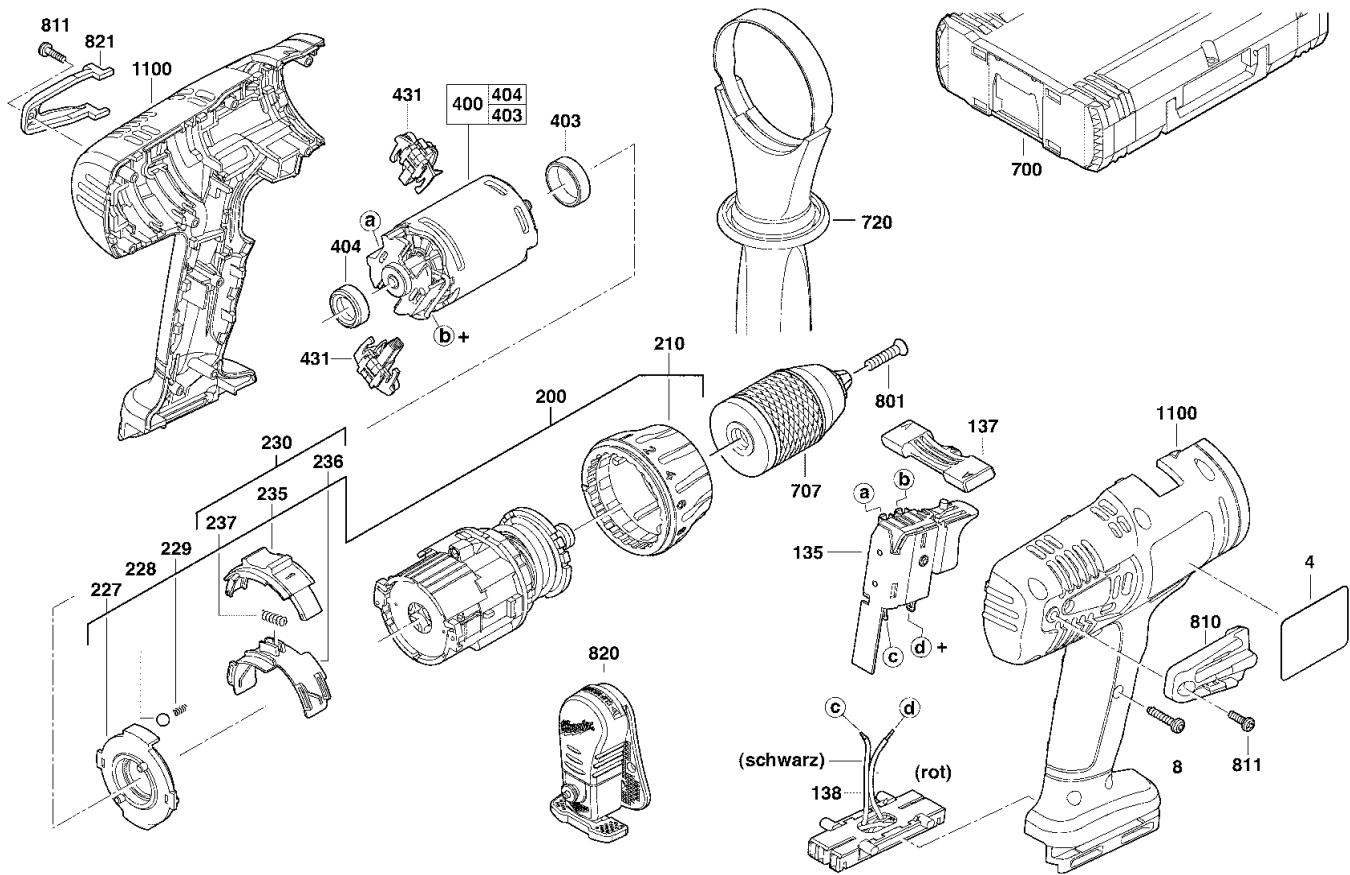


# A & M Electric Tools

Ind	Product No.	Type	Voltage	Country
a	4000389849	S18TXC	18V	***
b	4000395163	S18TXC	18V	***

# Battery Tools

Ind	Product No.	Type	Voltage	Country
<b>Milwaukee</b>				
<b>S18 TXC</b>				
Exp.view No.	Version	Date	Page	
4926 3903 32	0008	27.09.07	1/1	



Pos	Index	Quanti	Article No.	Designation	Pos	Index	Quanti	Article No.	Designation
0004	a.....	1	4931390335	RATING PLATE	0707	ab.....	1	4932371913	QUICK ACTION CHUCK
0004	.b.....	1	4931395180	RATING PLATE	0720	ab.....	1	4932376128	HANDLE
0008	ab.....	9	4931622708	SCREW	0801	ab.....	1	4931401643	LOCKING SCREW
0135	ab.....	1	4931400348	SWITCH BOARD	0810	ab.....	1	43720455	BIT HOLDER
0137	ab.....	1	4931389820	SLIDING SWITCH	0811	ab.....	2	4931390671	SCREW
0138	ab.....	1	4931389837	WIRE	0820	ab.....	1	42705005	HOLDER
0200	ab.....	1	4931389843	GEAR BOX	0821	ab.....	1	43720300	HOLDER
0210	ab.....	1	4931389627	JUMPER RING	1100	ab.....	1	4931389840	HOUSING
0227	ab.....	1	4931389825	BEARING END PLATE					
0228	ab.....	1	4931805413	BALL					
0229	ab.....	1	4931388194	PRESSURE SPRING					
0230	ab.....	1	4931389821	LEVER					
0235	ab.....	1	4931389822	SLIDING SWITCH					
0236	ab.....	1	4931389823	CRANK					
0237	ab.....	1	4931389824	PRESSURE SPRING					
0400	a.....	1	4931390339	MOTOR					
0400	.b.....	1	4931395167	MOTOR					
0403	ab.....	1	4931363798	RUBBER SLEEVE					
0404	ab.....	1	4931332388	RUBBER SLEEVE					
0431	a.....	1	4931390341	BRUSH HOLDER PAIR					
0431	.b.....	1	4931395047	BRUSH HOLDER					
0700	ab.....	1	4932378986	CARRYING CASE					

Repairs/modification and testing of electric power tools are to be carried out by specialists. The safety regulations according to DIN/VDE/CEE/AFNOR and other regulations valid in the different countries are to be observed.