

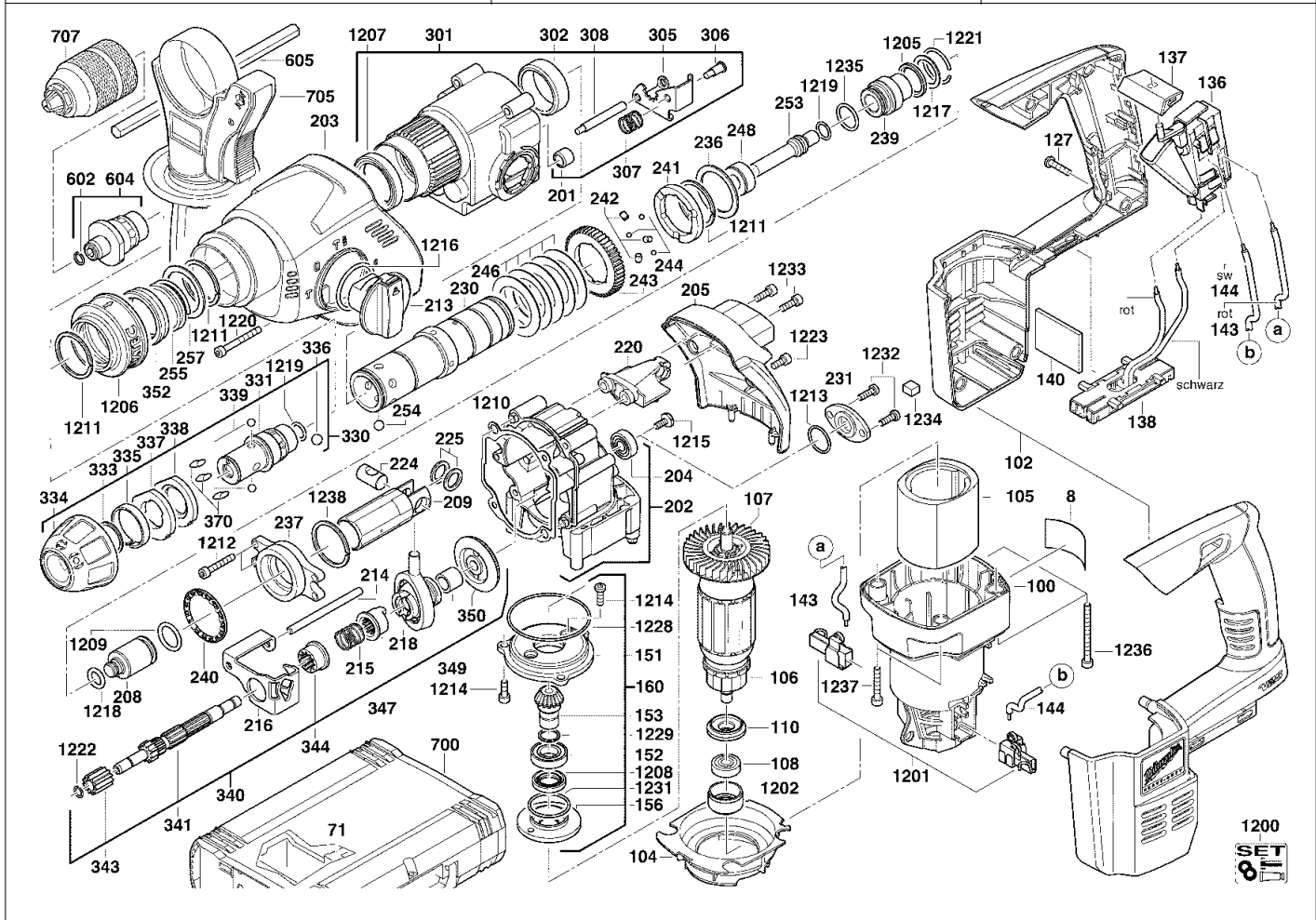
A & M Electric Tools

Battery Tools

| | | | |
|-----------------|-------|---------|---------|
| Ind Product No. | Type | Voltage | Country |
| a 4000400383 | V18HX | 18V | *** |

| | | | |
|-----------------|------|---------|---------|
| Ind Product No. | Type | Voltage | Country |
| | | | |

| | | | |
|----------------|---------|----------|------|
| Milwaukee | | | |
| V 18 HX | | | |
| Exp.view No. | Version | Date | Page |
| 4926 4003 87 | 0004 | 20.11.07 | 3/3 |



| Pos | Index | Quanti | Article No. | Designation |
|------|--------|--------|-------------|---------------|
| 1207 | a..... | 1 | 4931624430 | SEAL RING |
| 1208 | a..... | 1 | 4931624429 | SEAL RING |
| 1209 | a..... | 1 | 4931624533 | SEAL RING |
| 1210 | a..... | 1 | 4931375894 | SEAL |
| 1211 | a..... | 3 | 4931945764 | SPRING RING |
| 1212 | a..... | 4 | 4931624425 | SCREW |
| 1213 | a..... | 1 | 4931623912 | SEAL RING |
| 1214 | a..... | 5 | 4931267225 | SCREW |
| 1215 | a..... | 1 | 4931375897 | SCREW |
| 1216 | a..... | 1 | 4931624353 | SEAL RING |
| 1217 | a..... | 1 | 4931392464 | THRUST COLLAR |
| 1218 | a..... | 1 | 4931387380 | O-RING |
| 1219 | a..... | 2 | 4931624493 | SEAL RING |
| 1220 | a..... | 4 | 4931623521 | SCREW |
| 1221 | a..... | 1 | 4931623860 | SPRING RING |
| 1222 | a..... | 1 | 4931624260 | SPRING RING |
| 1223 | a..... | 2 | 4931621741 | SCREW |
| 1228 | a..... | 1 | 4931623198 | O-RING |
| 1229 | a..... | 1 | 4931622084 | SPRING RING |
| 1231 | a..... | 1 | 4931624351 | SEAL RING |
| 1232 | a..... | 2 | 4931621743 | SCREW |
| 1233 | a..... | 2 | 4931622315 | SCREW |

| Pos | Index | Quanti | Article No. | Designation |
|------|--------|--------|-------------|-------------|
| 1234 | a..... | 1 | 4931375508 | FELT |
| 1235 | a..... | 1 | 4931624381 | O-RING |
| 1236 | a..... | 2 | 4931624409 | SCREW |
| 1237 | a..... | 2 | 4931623886 | SCREW |
| 1238 | a..... | 1 | 4931624383 | SPRING RING |

Repairs/modification and testing of electric power tools are to be carried out by specialists. The safety regulations according to DIN/VDE/CEE/AFNOR and other regulations valid in the different countries are to be observed.