

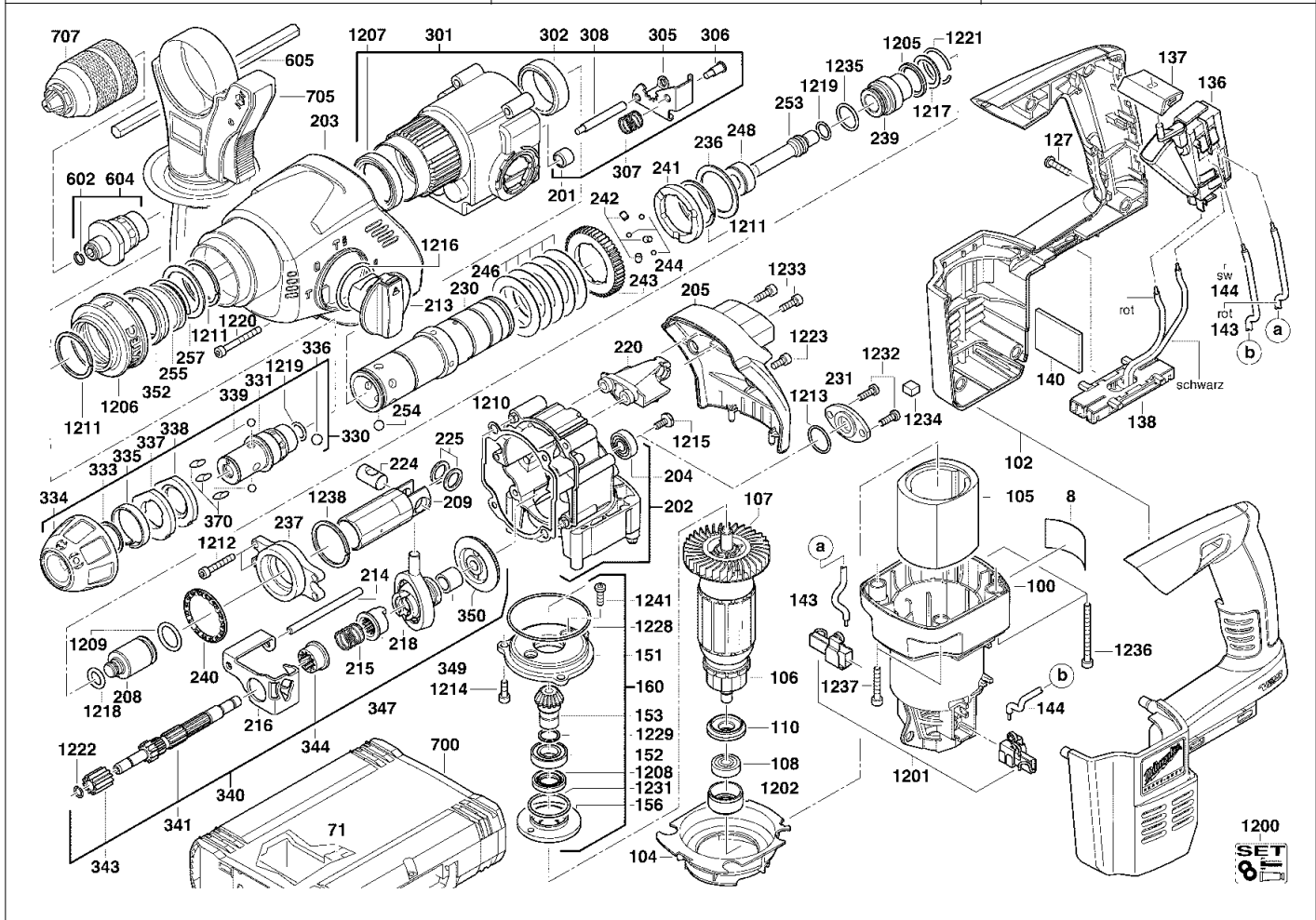
# A & M Electric Tools

# Battery Tools

| Ind | Product No. | Type  | Voltage | Country |
|-----|-------------|-------|---------|---------|
| a   | 4000405971  | V18HX | 18V     | ***     |

| Ind | Product No. | Type | Voltage | Country |
|-----|-------------|------|---------|---------|
|     |             |      |         |         |

| Milwaukee    |         |          |      |
|--------------|---------|----------|------|
| V 18 HX      |         |          |      |
| Exp.view No. | Version | Date     | Page |
| 4926 4059 72 | 0001    | 11.03.08 | 1/3  |



| Pos  | Index  | Quanti | Article No. | Designation        | Pos  | Index  | Quanti | Article No. | Designation        |
|------|--------|--------|-------------|--------------------|------|--------|--------|-------------|--------------------|
| 0008 | a..... | 1      | 4931405973  | RATING PLATE       | 0201 | a..... | 1      | 4931933756  | NEEDLE BEARING     |
| 0071 | a..... | 1      | 4931392424  | INSERT             | 0202 | a..... | 1      | 4931400877  | GEAR BOX           |
| 0100 | a..... | 1      | 4931392710  | MOTOR HOUSING      | 0203 | a..... | 1      | 4931392716  | GEAR BOX INSULATIO |
| 0102 | a..... | 1      | 4931400392  | HANDLE COMPL.      | 0204 | a..... | 1      | 4931623951  | BALL BEARING       |
| 0104 | a..... | 1      | 4931392727  | AIR DEFLECTOR RING | 0205 | a..... | 1      | 4931392717  | GEAR COVER         |
| 0105 | a..... | 1      | 4931392390  | HOUSING            | 0208 | a..... | 1      | 4931392376  | PERCUSSION BODY    |
| 0106 | a..... | 1      | 4931400393  | ARMATURE           | 0209 | a..... | 1      | 4931392472  | CYLINDER           |
| 0107 | a..... | 1      | 4931342793  | FAN                | 0213 | a..... | 1      | 4931384621  | SWITCH HANDLE      |
| 0108 | a..... | 1      | 4931623951  | BALL BEARING       | 0214 | a..... | 1      | 4931624279  | CYLINDER PIN       |
| 0110 | a..... | 1      | 4931392383  | INSULATING DISC    | 0215 | a..... | 1      | 4931365058  | SPRING             |
| 0127 | a..... | 7      | 4931624515  | SCREW              | 0216 | a..... | 1      | 4931384617  | SLIDING SWITCH     |
| 0136 | a..... | 1      | 4931400353  | SWITCH BOARD       | 0218 | a..... | 1      | 4931365013  | WOBBLE DRIVE       |
| 0137 | a..... | 1      | 4931392715  | LEVER              | 0220 | a..... | 1      | 4931392728  | HOLDING DEVICE     |
| 0138 | a..... | 1      | 4931400397  | WIRE               | 0224 | a..... | 1      | 4931365056  | CYLINDRICAL BOLT   |
| 0140 | a..... | 1      | 4931400568  | RUBBER PLATE       | 0225 | a..... | 2      | 4931365112  | DISC               |
| 0143 | a..... | 1      | 4931624356  | WIRE               | 0230 | a..... | 1      | 4931392735  | SPINDEL GEAR SLEEV |
| 0144 | a..... | 1      | 4931624357  | WIRE               | 0231 | a..... | 1      | 4931392461  | BEARING COVER      |
| 0151 | a..... | 1      | 4931384626  | BEARING END PLATE  | 0236 | a..... | 1      | 4931624426  | WASHER             |
| 0152 | a..... | 1      | 4931624278  | BALL BEARING       | 0237 | a..... | 1      | 4931392737  | ENDPLATE           |
| 0153 | a..... | 1      | 4931392419  | PINION             | 0239 | a..... | 1      | 4931384608  | SLEEVE             |
| 0156 | a..... | 1      | 4931392742  | BEARING COVER      | 0240 | a..... | 1      | 4931392736  | SPINDLE BEARING    |
| 0160 | a..... | 1      | 4931392418  | BEARING END PLATE  | 0241 | a..... | 1      | 4931392751  | CLUTCH DISC        |

Repairs/modification and testing of electric power tools are to be carried out by specialists. The safety regulations according to DIN/VDE/CEE/AFNOR and other regulations valid in the different countries are to be observed.

## A & M Electric Tools

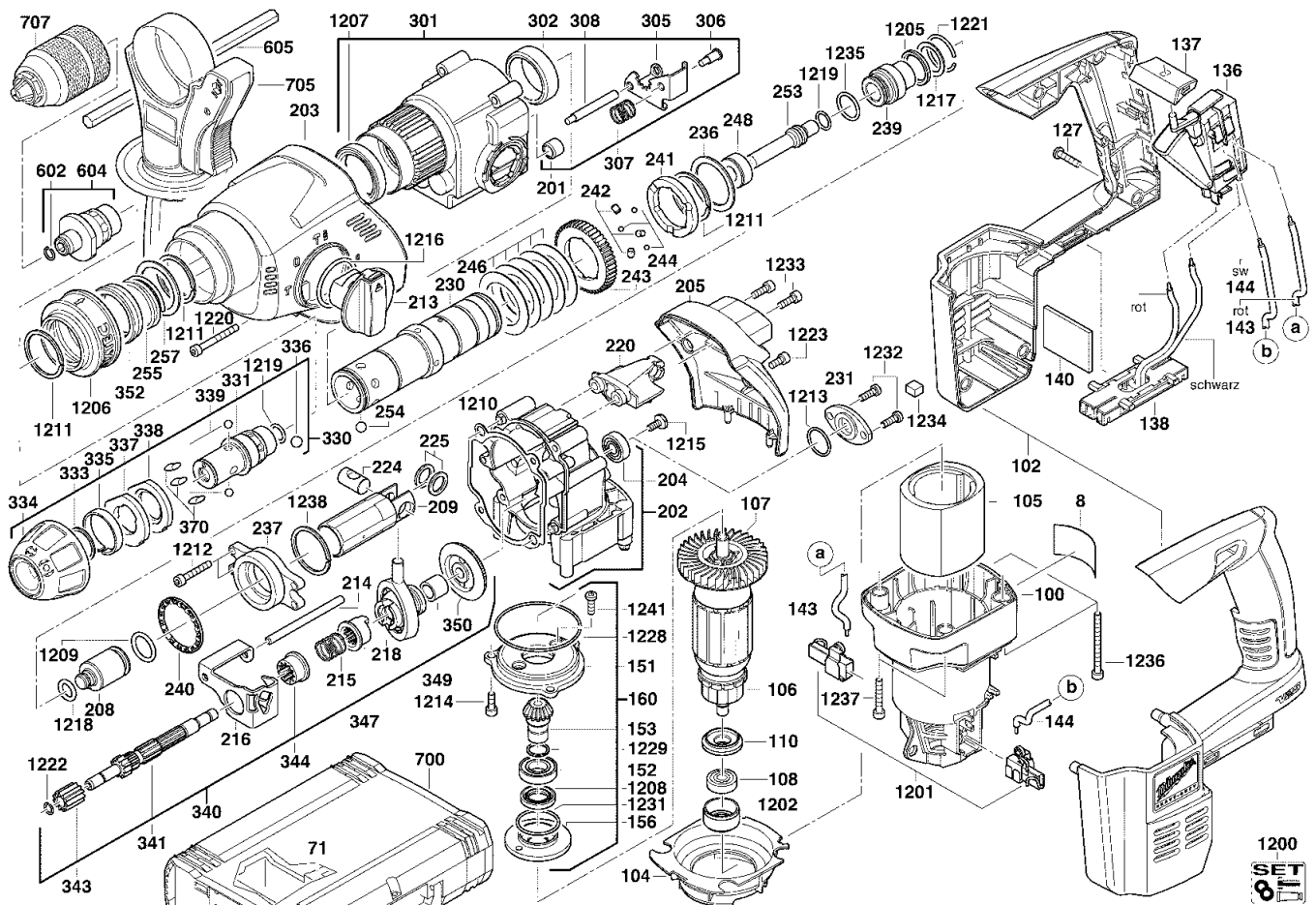
Ind Product No. Type Voltage Country  
a 4000405971 V18HX 18V \*\*\*

## Battery Tools

Milwaukee  
**V 18 HX**

Exp.view No. Version Date Page

**4926 4059 72 0001 11.03.08 2/3**



| Pos  | Index  | Quanti | Article No. | Designation      |
|------|--------|--------|-------------|------------------|
| 0242 | a..... | 3      | 4931365057  | CYLINDRICAL BOLT |
| 0243 | a..... | 1      | 4931392489  | SPINDLE GEAR     |
| 0244 | a..... | 3      | 4931944281  | BALL             |
| 0246 | a..... | 5      | 4931365066  | CUP SPRING       |
| 0248 | a..... | 1      | 4931384607  | STOP WASHER      |
| 0253 | a..... | 1      | 4931384605  | SNAP DIE         |
| 0254 | a..... | 6      | 4931805437  | BALL             |
| 0255 | a..... | 1      | 4931331754  | PRESSURE SPRING  |
| 0257 | a..... | 1      | 4931624257  | WASHER           |
| 0301 | a..... | 1      | 4931392741  | GEAR BOX         |
| 0302 | a..... | 1      | 4931621944  | NEEDLE BEARING   |
| 0305 | a..... | 1      | 4931384618  | LOCKING PLATE    |
| 0306 | a..... | 1      | 4931384619  | GUIDE BOLT       |
| 0307 | a..... | 1      | 4931384631  | PRESSURE SPRING  |
| 0308 | a..... | 1      | 4931384690  | GUIDE BOLT       |
| 0330 | a..... | 1      | 4931384684  | ADAPTER          |
| 0331 | a..... | 1      | 4931392451  | ADAPTER          |
| 0333 | a..... | 1      | 4931622874  | SPRING RING      |
| 0334 | a..... | 1      | 4931384681  | SET SLEEVE       |
| 0335 | a..... | 1      | 4931321064  | SPRING           |
| 0336 | a..... | 1      | 4931911572  | BALL             |
| 0337 | a..... | 1      | 4931343034  | JUMPER RING      |

| Pos  | Index  | Quanti | Article No. | Designation        |
|------|--------|--------|-------------|--------------------|
| 0338 | a..... | 1      | 4931343057  | SPACER             |
| 0339 | a..... | 2      | 4931805413  | BALL               |
| 0340 | a..... | 1      | 4931392410  | REDUCTION GEAR     |
| 0341 | a..... | 1      | 4931384610  | REDUCT. GEAR SHAFT |
| 0343 | a..... | 1      | 4931384611  | GEAR               |
| 0344 | a..... | 1      | 4931375874  | INTERN.GEARED WHE  |
| 0347 | a..... | 1      | 4931384691  | COUPLING SLEEVE    |
| 0349 | a..... | 1      | 4931384613  | DISTANCE SLEEVE    |
| 0350 | a..... | 1      | 4931392411  | BEVEL GEAR         |
| 0352 | a..... | 1      | 4931392450  | RING STOP          |
| 0370 | a..... | 3      | 4931396400  | HOLDING-DOWN DEVIC |
| 0602 | a..... | 1      | 4931302074  | SPRING             |
| 0604 | a..... | 1      | 4931392452  | CHUCK ADAPTER      |
| 0605 | a..... | 1      | 4931384434  | DEPTH GAUGE        |
| 0700 | a..... | 1      | 4932383162  | CARRYING CASE      |
| 0705 | a..... | 1      | 4931392747  | HANDLE             |
| 0707 | a..... | 1      | 4932376531  | QUICK ACTION CHUCK |
| 1200 | a..... | 1      | 4931400891  | MAINTENANCE SET    |
| 1201 | a..... | 1      | 4931392429  | CARBON BRUSH SET   |
| 1202 | a..... | 1      | 4931351729  | RUBBER SLEEVE      |
| 1205 | a..... | 1      | 4931624391  | SEAL RING          |
| 1206 | a..... | 1      | 4931392746  | SLEEVE             |

Repairs/modification and testing of electric power tools are to be carried out by specialists. The safety regulations according to DIN/VDE/CEE/AFNOR and other regulations valid in the different countries are to be observed.

**A & M Electric Tools**

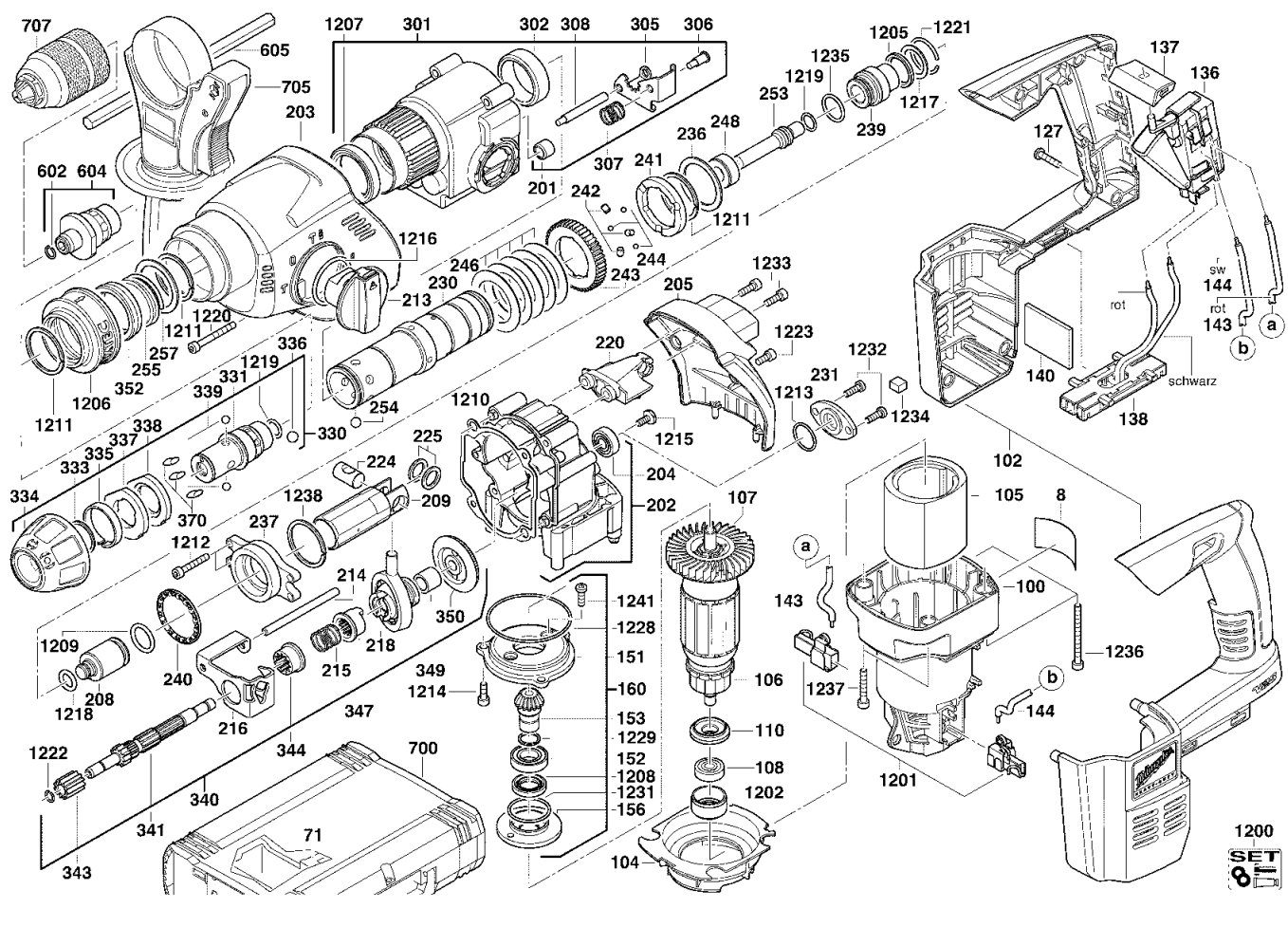
**Battery Tools**

| Ind | Product No. | Type  | Voltage | Country |
|-----|-------------|-------|---------|---------|
| a   | 4000405971  | V18HX | 18V     | ***     |

| Ind | Product No. | Type | Voltage | Country |
|-----|-------------|------|---------|---------|
|     |             |      |         |         |

**Milwaukee**  
**V 18 HX**

Exp.view No.     Version     Date     Page  
**4926 4059 72     0001     11.03.08     3/3**



| Pos  | Index  | Quanti | Article No. | Designation   |
|------|--------|--------|-------------|---------------|
| 1207 | a..... | 1      | 4931624430  | SEAL RING     |
| 1208 | a..... | 1      | 4931624429  | SEAL RING     |
| 1209 | a..... | 1      | 4931624533  | SEAL RING     |
| 1210 | a..... | 1      | 4931375894  | SEAL          |
| 1211 | a..... | 3      | 4931945764  | SPRING RING   |
| 1212 | a..... | 4      | 4931624425  | SCREW         |
| 1213 | a..... | 1      | 4931623912  | SEAL RING     |
| 1214 | a..... | 3      | 4931624581  | SCREW         |
| 1215 | a..... | 1      | 4931375897  | SCREW         |
| 1216 | a..... | 1      | 4931624353  | SEAL RING     |
| 1217 | a..... | 1      | 4931392464  | THRUST COLLAR |
| 1218 | a..... | 1      | 4931387380  | O-RING        |
| 1219 | a..... | 2      | 4931624493  | SEAL RING     |
| 1220 | a..... | 4      | 4931624583  | SCREW         |
| 1221 | a..... | 1      | 4931623860  | SPRING RING   |
| 1222 | a..... | 1      | 4931624260  | SPRING RING   |
| 1223 | a..... | 2      | 4931624581  | SCREW         |
| 1228 | a..... | 1      | 4931623198  | O-RING        |
| 1229 | a..... | 1      | 4931622084  | SPRING RING   |
| 1231 | a..... | 1      | 4931624351  | SEAL RING     |
| 1232 | a..... | 2      | 4931621743  | SCREW         |
| 1233 | a..... | 2      | 4931622315  | SCREW         |

| Pos  | Index  | Quanti | Article No. | Designation |
|------|--------|--------|-------------|-------------|
| 1234 | a..... | 1      | 4931375508  | FELT        |
| 1235 | a..... | 1      | 4931624381  | O-RING      |
| 1236 | a..... | 2      | 4931624584  | SCREW       |
| 1237 | a..... | 2      | 4931623886  | SCREW       |
| 1238 | a..... | 1      | 4931624383  | SPRING RING |
| 1241 | a..... | 2      | 4931267225  | SCREW       |

Repairs/modification and and testing of electric power tools are to be carried out by specialists. The safety regulations according to DIN/VDE/CEE/AFNOR and other regulations valid in the different countries are to be observed.