

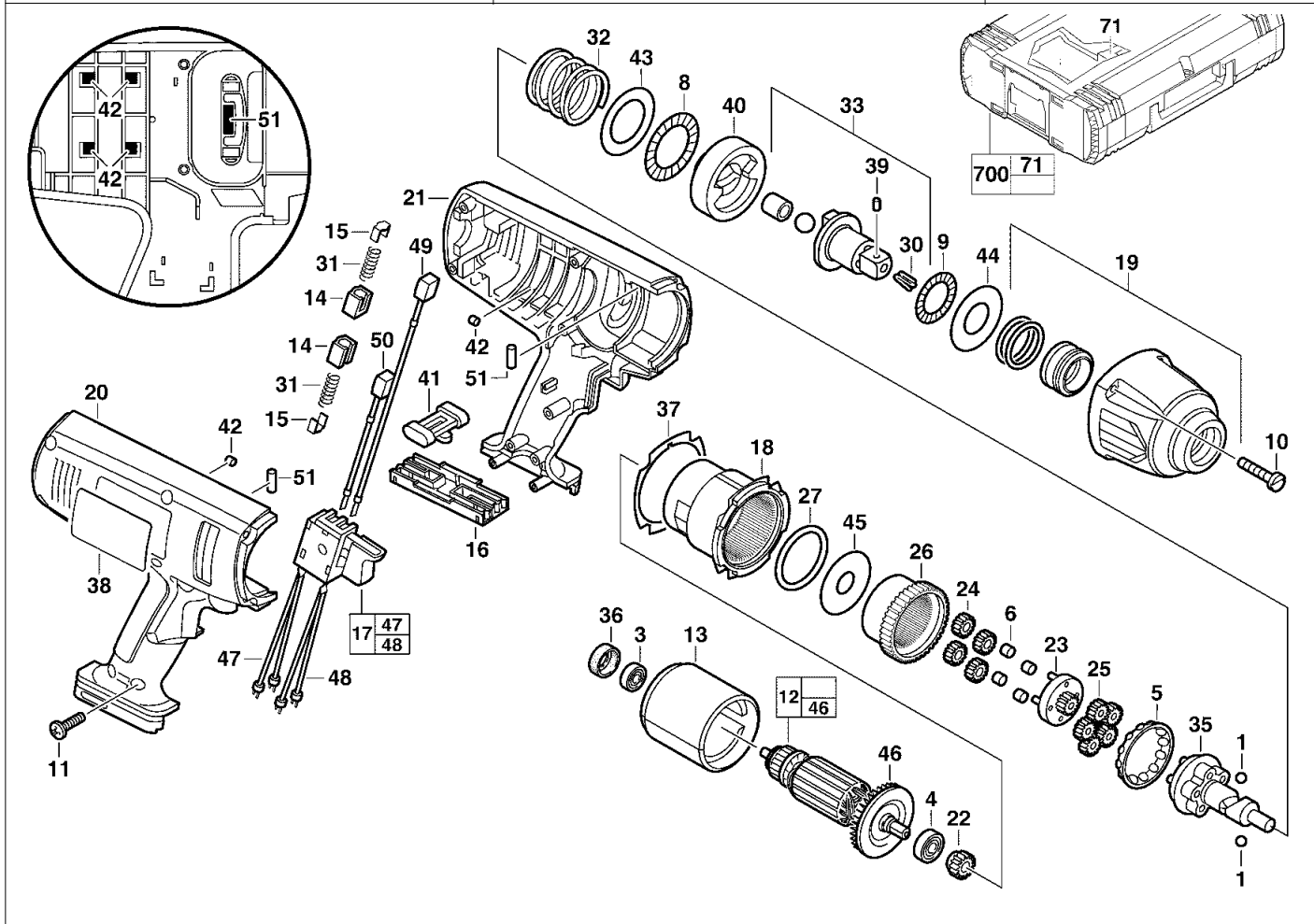
A & M Electric Tools

Battery Tools

| Ind | Product No. | Type | Voltage | Country |
|-----|-------------|-------|---------|---------|
| a | 4000401401 | V18IW | 18V | *** |

| Ind | Product No. | Type | Voltage | Country |
|-----|-------------|------|---------|---------|
| | | | | |

| Milwaukee | | |
|--------------|---------|----------|
| V 18 IW | | |
| Exp.view No. | Version | Date |
| 4926 4014 03 | 0001 | 06.09.06 |
| Page 1/2 | | |



| Pos | Index | Quanti | Article No. | Designation | Pos | Index | Quanti | Article No. | Designation |
|------|--------|--------|-------------|----------------|------|--------|--------|-------------|--------------|
| 0001 | a..... | 2 | 02020250 | BALL | 0025 | a..... | 5 | 32620215 | PLANET GEAR |
| 0003 | a..... | 1 | 02040645 | BALL BEARING | 0026 | a..... | 1 | 32650005 | GEAR |
| 0004 | a..... | 1 | 02040852 | BALL BEARING | 0027 | a..... | 1 | 34400070 | O-RING |
| 0005 | a..... | 1 | 02400050 | BEARING | 0030 | a..... | 1 | 40508320 | SPRING |
| 0006 | a..... | 4 | 02503260 | BEARING | 0031 | a..... | 2 | 40509079 | SPRING |
| 0008 | a..... | 1 | 02800200 | BEARING | 0032 | a..... | 1 | 40500241 | SPRING |
| 0009 | a..... | 1 | 02803256 | BEARING | 0033 | a..... | 1 | 14730145 | ANVIL |
| 0010 | a..... | 4 | 05885988 | SCREW | 0035 | a..... | 1 | 14730300 | SHAFT |
| 0011 | a..... | 7 | 06956290 | SCREW | 0036 | a..... | 1 | 42960015 | BEARING |
| 0012 | a..... | 1 | 16012100 | ARMATURE | 0037 | a..... | 1 | 43440991 | GASKET |
| 0013 | a..... | 1 | 18012120 | ELECTRIC FIELD | 0038 | a..... | 1 | 12203400 | NAME PLATE |
| 0014 | a..... | 2 | 22200425 | BRUSH HOLDER | 0039 | a..... | 1 | 44601170 | PIN |
| 0015 | a..... | 2 | 22320420 | SPRING | 0040 | a..... | 1 | 44820205 | RAM |
| 0016 | a..... | 1 | 4931363797 | INSERT | 0041 | a..... | 1 | 45240510 | SLIDE |
| 0017 | a..... | 1 | 23660106 | SWITCH | 0042 | a..... | 8 | 45300021 | BALL |
| 0018 | a..... | 1 | 28140175 | GEAR CASE | 0043 | a..... | 1 | 45880535 | WASHER |
| 0019 | a..... | 1 | 14380100 | HOUSING | 0044 | a..... | 1 | 45881575 | WASHER |
| 0020 | a..... | 1 | 31442186 | HANDLE RIGHT | 0045 | a..... | 1 | 45883250 | WASHER |
| 0021 | a..... | 1 | 31442191 | HANDLE LEFT | 0046 | a..... | 1 | 22840375 | FAN |
| 0022 | a..... | 1 | 32600170 | GEAR | 0047 | a..... | 1 | 23943020 | WIRE |
| 0023 | a..... | 1 | 32600185 | GEAR | 0048 | a..... | 1 | 23943010 | WIRE |
| 0024 | a..... | 4 | 32620210 | PLANET GEAR | 0049 | a..... | 1 | 22182080 | CARBON BRUSH |

Repairs/modification and testing of electric power tools are to be carried out by specialists. The safety regulations according to DIN/VDE/CEE/AFNOR and other regulations valid in the different countries are to be observed.

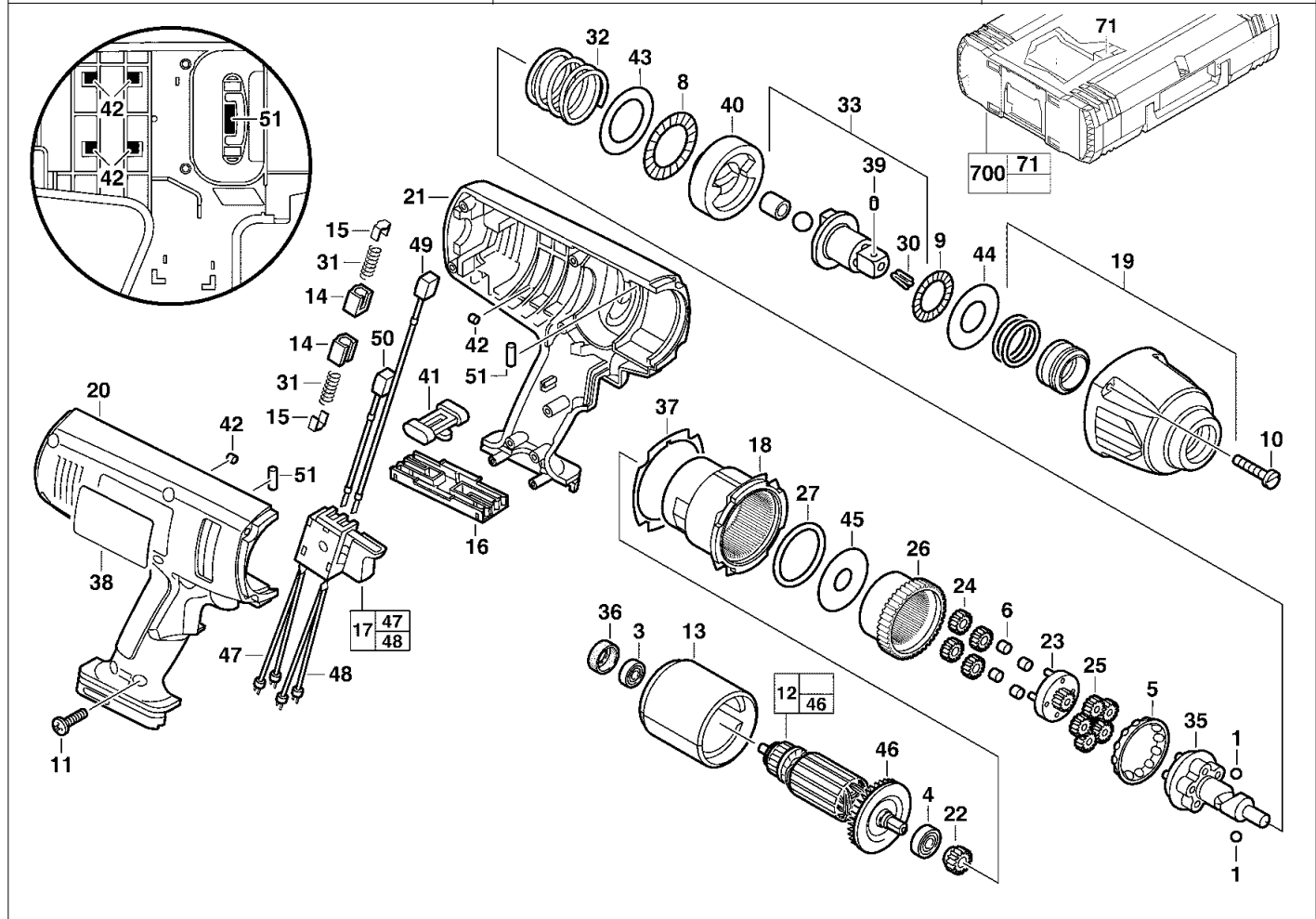
A & M Electric Tools

Battery Tools

| Ind | Product No. | Type | Voltage | Country |
|-----|-------------|-------|---------|---------|
| a | 4000401401 | V18IW | 18V | *** |

| Ind | Product No. | Type | Voltage | Country |
|-----|-------------|------|---------|---------|
| | | | | |

| Milwaukee | | | |
|--------------|---------|----------|------|
| V 18 IW | | | |
| Exp.view No. | Version | Date | Page |
| 4926 4014 03 | 0001 | 06.09.06 | 2/2 |



| Pos | Index | Quanti | Article No. | Designation |
|------|--------|--------|-------------|--------------------|
| 0050 | a..... | 1 | 22181980 | CARBON BRUSH |
| 0051 | a..... | 2 | 45300025 | HOLDING-DOWN DEVIC |
| 0071 | a..... | 1 | 4931401407 | INSERT |
| 0700 | a..... | 1 | 4932378986 | CARRYING CASE |

| Pos | Index | Quanti | Article No. | Designation |
|-----|-------|--------|-------------|-------------|
| | | | | |

Repairs/modification and testing of electric power tools are to be carried out by specialists. The safety regulations according to DIN/VDE/CEE/AFNOR and other regulations valid in the different countries are to be observed.