

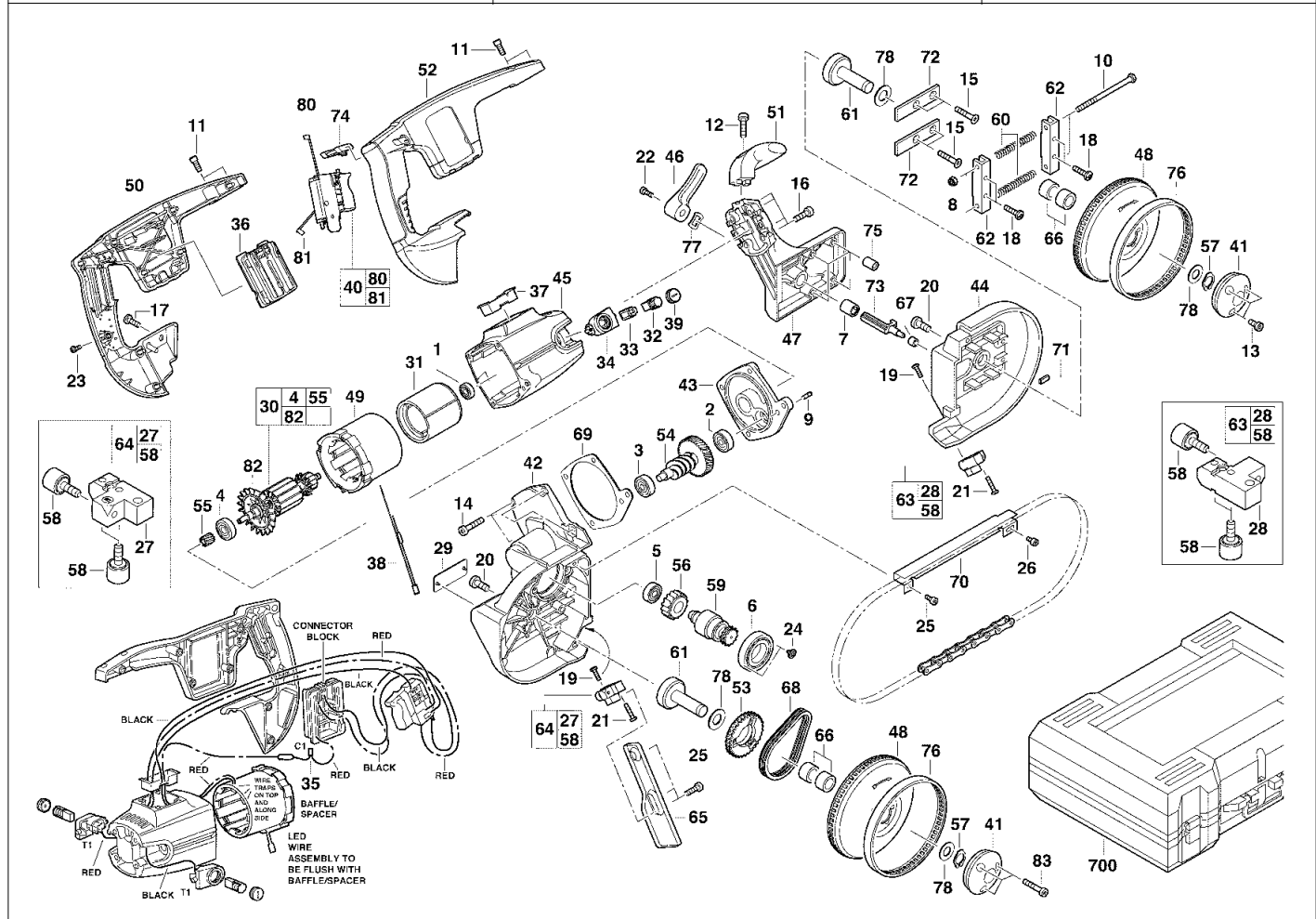
A & M Electric Tools

Battery Tools

Ind Product No.	Type	Voltage	Country
a 4000390874	V28BS	28V	***

Ind Product No.	Type	Voltage	Country

Milwaukee			
V 28 BS			
Exp.view No.	Version	Date	Page
4926 3908 84	0003	06.09.06	1/2



Pos	Index	Quanti	Article No.	Designation	Pos	Index	Quanti	Article No.	Designation
0001	a.....	1	02040851	BALL BEARING	0023	a.....	9	06827270	SCREW
0002	a.....	1	02041020	BALL BEARING	0024	a.....	2	06828842	SCREW
0003	a.....	1	02041030	BALL BEARING	0025	a.....	4	06828864	SCREW
0004	a.....	1	02041050	BALL BEARING	0026	a.....	1	06829270	SCREW
0005	a.....	1	02041210	BALL BEARING	0027	a.....	1	42280210	GUIDE BLOCK
0006	a.....	1	02042700	BALL BEARING	0028	a.....	1	42280205	GUIDE BLOCK
0007	a.....	1	02503235	BALL BEARING	0029	a.....	1	12200728	NAME PLATE
0008	a.....	2	06575000	NUT	0030	a.....	1	16012130	ARMATURE
0009	a.....	1	06651155	PIN	0031	a.....	1	18012000	ELECTRIC FIELD
0010	a.....	2	06751991	SCREW	0032	a.....	2	22180729	CARBON BRUSH
0011	a.....	4	06753270	SCREW	0033	a.....	2	22200660	BRUSH HOLDER INSUL
0012	a.....	1	06754675	SCREW	0034	a.....	2	22200729	BRUSH HOLDER
0013	a.....	3	06825338	SCREW	0035	a.....	1	22560150	CONNECTION
0014	a.....	4	06823060	SCREW	0036	a.....	1	22561729	CLAMP
0015	a.....	4	06823810	SCREW	0037	a.....	1	23161340	INSULATING BUSH
0016	a.....	4	06825292	SCREW	0038	a.....	1	23280140	WIRE
0017	a.....	2	06825294	SCREW	0039	a.....	2	23440220	BRUSH COVER
0018	a.....	2	06825298	SCREW	0040	a.....	1	23660721	SWITCH
0019	a.....	2	06825330	SCREW	0041	a.....	2	31151220	COVER
0020	a.....	2	06825394	SCREW	0042	a.....	1	28140729	GEAR BOX
0021	a.....	2	06825574	SCREW	0043	a.....	1	28281697	DIAPHRAGM
0022	a.....	1	06827252	SCREW	0044	a.....	1	28410920	GUARD

Repairs/modification and testing of electric power tools are to be carried out by specialists. The safety regulations according to DIN/VDE/CEE/AFNOR and other regulations valid in the different countries are to be observed.

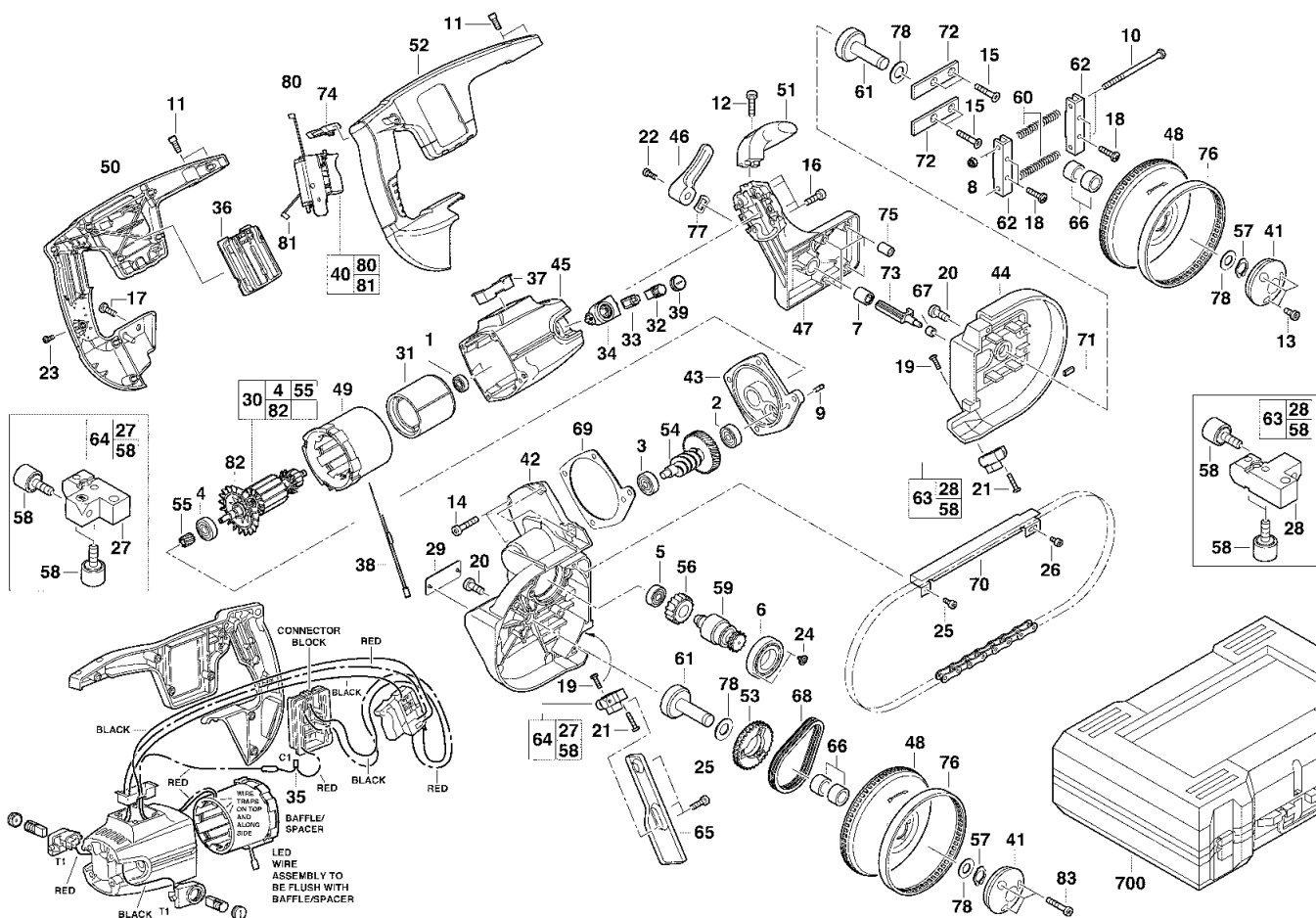
A & M Electric Tools

Battery Tools

Ind Product No.	Type	Voltage	Country
a 4000390874	V28BS	28V	***

Ind Product No.	Type	Voltage	Country

Milwaukee			
V 28 BS			
Exp.view No.	Version	Date	Page
4926 3908 84	0003	06.09.06	2/2



Pos	Index	Quanti	Article No.	Designation
0045	a.....	1	28500729	MOTOR HOUSING
0046	a.....	1	31520032	LEVER
0047	a.....	1	28900200	GUARD
0048	a.....	2	28950120	PULLEY
0049	a.....	1	31050129	AIR DEFLECTOR RING
0050	a.....	1	31440129	LEFT HANDLE HALF
0051	a.....	1	31440330	HANDLE
0052	a.....	1	31440729	RIGHT HANDLE HALF
0053	a.....	1	31880055	SPROCKET
0054	a.....	1	14461729	REDUCT. GEAR SHAFT
0055	a.....	1	32600729	PINION
0056	a.....	1	32900110	WORMGEAR
0057	a.....	2	34601400	RING
0058	a.....	6	02250260	DRIVER
0059	a.....	1	36660525	WORMGEAR
0060	a.....	2	40500710	PRESSURE SPRING
0061	a.....	2	42120070	AXLE
0062	a.....	2	42180190	LEVER
0063	a.....	1	42280206	BLADE HOUSING
0064	a.....	1	42280211	BLADE HOUSING
0065	a.....	1	42380042	DAMPING ELEMENT
0066	a.....	4	42400580	BUSHING

Pos	Index	Quanti	Article No.	Designation
0067	a.....	1	42401010	BUSHING
0068	a.....	1	42600195	CHAIN
0069	a.....	1	43441130	GASKET
0070	a.....	1	43540245	GUARD
0071	a.....	1	44520120	BACKING PLATE
0072	a.....	2	44660550	PLATE
0073	a.....	1	45080172	SHAFT
0074	a.....	1	45240129	LEVER
0075	a.....	4	45360720	SPACER
0076	a.....	2	45690010	CAM
0077	a.....	1	45887105	WASHER
0078	a.....	4	45887165	WASHER
0080	a.....	1	23940390	WIRE
0081	a.....	1	23940380	WIRE
0082	a.....	1	22840531	FAN
0083	a.....	3	06822365	SCREW
0700	a.....	1	48550729	CARRYING CASE

Repairs/modification and testing of electric power tools are to be carried out by specialists. The safety regulations according to DIN/VDE/CEE/AFNOR and other regulations valid in the different countries are to be observed.