

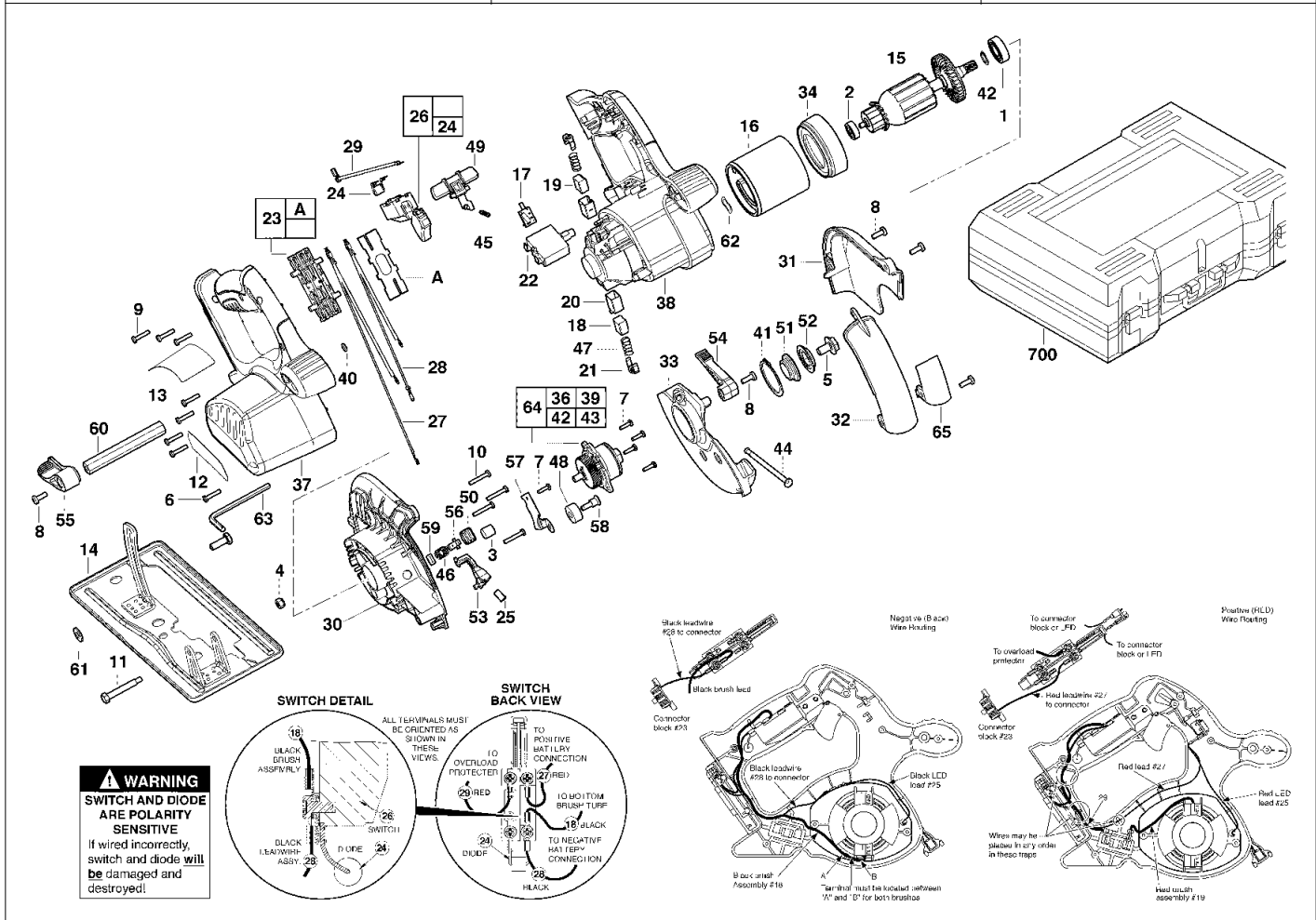
A & M Electric Tools

Battery Tools

Ind Product No.	Type	Voltage	Country
a 4000393910	V28MS	28V	***

Ind Product No.	Type	Voltage	Country

Milwaukee			
V 28 MS			
Exp.view No.	Version	Date	Page
4926 4014 37	0004	24.09.07	1/2



Pos	Index	Quanti	Article No.	Designation
0001	a.....	1	02041212	BALL BEARING
0002	a.....	1	02045130	BALL BEARING
0003	a.....	1	02501640	NEEDLE BEARING
0004	a.....	1	06571100	LOCK NUT
0005	a.....	1	06751010	SCREW
0006	a.....	1	06755860	SCREW
0007	a.....	5	06825285	PIN
0008	a.....	5	06825314	SCREW
0009	a.....	8	06827470	SCREW
0010	a.....	4	06827475	SCREW
0011	a.....	1	06829685	CYLINDRICAL BOLT
0012	a.....	1	10202880	DATA PLATE
0013	a.....	1	12200980	NAME PLATE
0014	a.....	1	14740400	SHOE
0015	a.....	1	16010300	ARMATURE
0016	a.....	1	18012000	ELECTRIC FIELD
0017	a.....	1	22091075	ELECTRONIC
0018	a.....	1	22181245	CARBON BRUSH SET
0019	a.....	1	22181250	CARBON BRUSH SET
0020	a.....	2	22200425	BRUSH HOLDER
0021	a.....	2	22320420	SPRING
0022	a.....	1	22360230	GUARD

Pos	Index	Quanti	Article No.	Designation
0023	a.....	1	22560975	CONNECTOR
0024	a.....	1	22740510	RESISTOR
0025	a.....	1	23280175	BULB
0026	a.....	1	23661005	SWITCH
0027	a.....	1	23942680	WIRE
0028	a.....	1	23942690	WIRE
0029	a.....	1	23942700	SWITCH
0030	a.....	1	28140795	GEAR BOX HOUSING
0031	a.....	1	28201174	COVER
0032	a.....	1	28410945	COVER
0033	a.....	1	28411090	COVER
0034	a.....	1	31050350	AIR DEFLECTOR RING
0036	a.....	1	31150601	COVER
0037	a.....	1	31442040	HANDLE RIGHT
0038	a.....	1	31442046	LEFT HANDLE HALF
0039	a.....	1	32751371	SPINDLE GEAR
0040	a.....	1	34404480	O-RING
0041	a.....	1	34600860	THRUST COLLAR
0042	a.....	2	34600920	RING
0043	a.....	1	38501160	SPINDLE
0044	a.....	1	40500045	SPRING
0045	a.....	1	40500350	SPRING

Repairs/modification and testing of electric power tools are to be carried out by specialists. The safety regulations according to DIN/VDE/CEE/AFNOR and other regulations valid in the different countries are to be observed.

A & M Electric Tools

Battery Tools

Ind Product No. Type
a 4000393910 V28MS

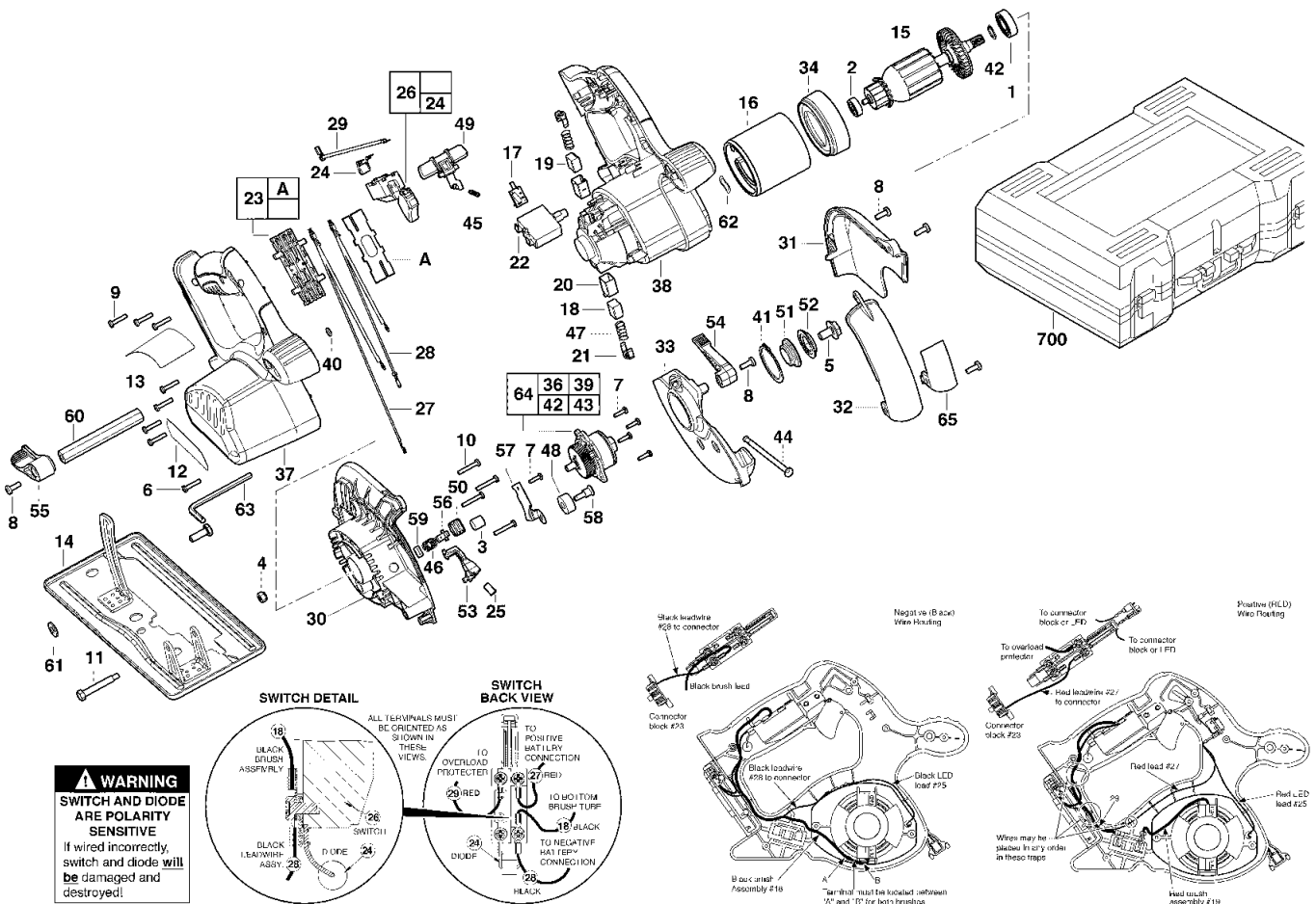
Voltage Country
28V ***

Ind Product No. Type

Voltage Country

Milwaukee
V 28 MS

Exp.view No. Version Date Page
4926 4014 37 0004 24.09.07 2/2



Pos	Index	Quanti	Article No.	Designation
0046	a.....	1	40508040	PRESSURE SPRING
0047	a.....	2	40508745	SPRING
0048	a.....	1	42380222	GUARD
0049	a.....	1	42421025	SWITCH
0050	a.....	1	42421030	PUSH-BUTTON
0051	a.....	1	43340920	FLANGE
0052	a.....	1	43340795	FLANGE
0053	a.....	1	43720600	HOLDER
0054	a.....	1	44100420	STOP
0055	a.....	1	44100430	STOP
0056	a.....	1	44200650	SPINDLE
0057	a.....	1	44660845	PLATE
0058	a.....	1	45040485	SCREW
0059	a.....	1	45060720	FELT PACKING
0060	a.....	1	45080395	SHAFT
0061	a.....	1	45881545	WASHER
0062	a.....	1	45885615	WASHER
0063	a.....	1	49960080	WRENCH
0064	a.....	1	14462570	GEAR BOX
0065	a.....	1	31550350	CHIP DEFLECTOR
0700	a.....	1	48551490	CARRYING CASE

Pos	Index	Quanti	Article No.	Designation
-----	-------	--------	-------------	-------------