

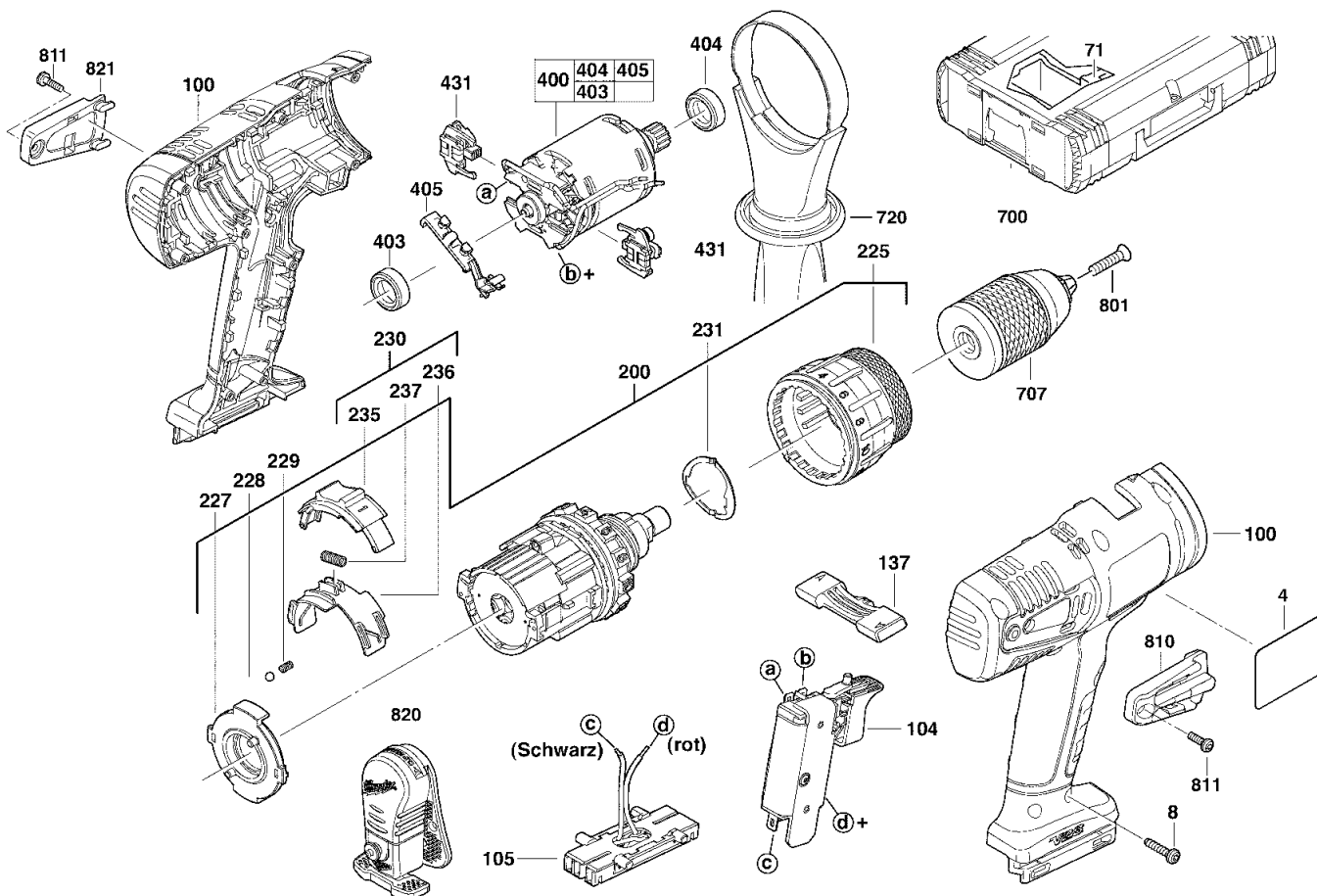
# A & M Electric Tools

# Battery Tools

Ind	Product No.	Type	Voltage	Country
a	4000390726	V28PD	28V	***
b	4000404145	V28PD	28V	***
c	4000395193	V28PD	28V	***

Ind	Product No.	Type	Voltage	Country

Milwaukee			
V 28 PD			
Exp.view No.	Version	Date	Page
4926 3907 29	0008	25.10.07	1/1



Pos	Index	Quanti	Article No.	Designation
0004	a.....	1	4931390732	RATING PLATE
0004	.b.....	1	4931404147	RATING PLATE
0004	..c.....	1	4931395194	RATING PLATE
0008	abc.....	9	4931622708	SCREW
0071	abc.....	1	4931401358	INSERT
0100	abc.....	1	4931389808	HOUSING
0104	ab.....	1	4931400352	SWITCH BOARD
0104	..c.....	1	4931400352	SWITCH BOARD
0105	abc.....	1	4931389832	WIRE
0137	abc.....	1	4931389820	SLIDING SWITCH
0200	a.....	1	4931389811	GEAR BOX
0200	.bc.....	1	4931404073	GEAR BOX
0225	abc.....	1	4931390785	JUMPER RING
0227	a.....	1	4931389825	BEARING END PLATE
0227	.bc.....	1	4931401052	BEARING END PLATE
0228	abc.....	1	4931805413	BALL
0229	abc.....	1	4931388194	PRESSURE SPRING
0230	abc.....	1	4931389821	LEVER
0231	abc.....	1	4931389522	SPRING WASHER
0235	abc.....	1	4931389822	SLIDING SWITCH
0236	abc.....	1	4931389823	CRANK
0237	abc.....	1	4931389824	PRESSURE SPRING

Pos	Index	Quanti	Article No.	Designation
0400	a.....	1	4931390517	MOTOR
0400	.b.....	1	4931390783	MOTOR
0400	..c.....	1	4931395197	MOTOR
0403	abc.....	1	4931363798	RUBBER SLEEVE
0404	abc.....	1	4931332388	RUBBER SLEEVE
0405	abc.....	1	4931389819	HOLDER
0431	abc.....	1	4931395049	CARBON BRUSH SET
0700	abc.....	1	4932378986	CARRYING CASE
0700	..c.....	1	4931401356	CARRYING CASE
0707	abc.....	1	4932371913	QUICK ACTION CHUCK
0720	abc.....	1	4932376128	HANDLE
0801	abc.....	1	4931401643	LOCKING SCREW
0810	abc.....	1	43720455	BIT HOLDER
0811	abc.....	2	4931390671	SCREW
0820	abc.....	1	42705005	HOLDER
0821	abc.....	1	43720300	HOLDER

Repairs/modification and testing of electric power tools are to be carried out by specialists. The safety regulations according to DIN/VDE/CEE/AFNOR and other regulations valid in the different countries are to be observed.