

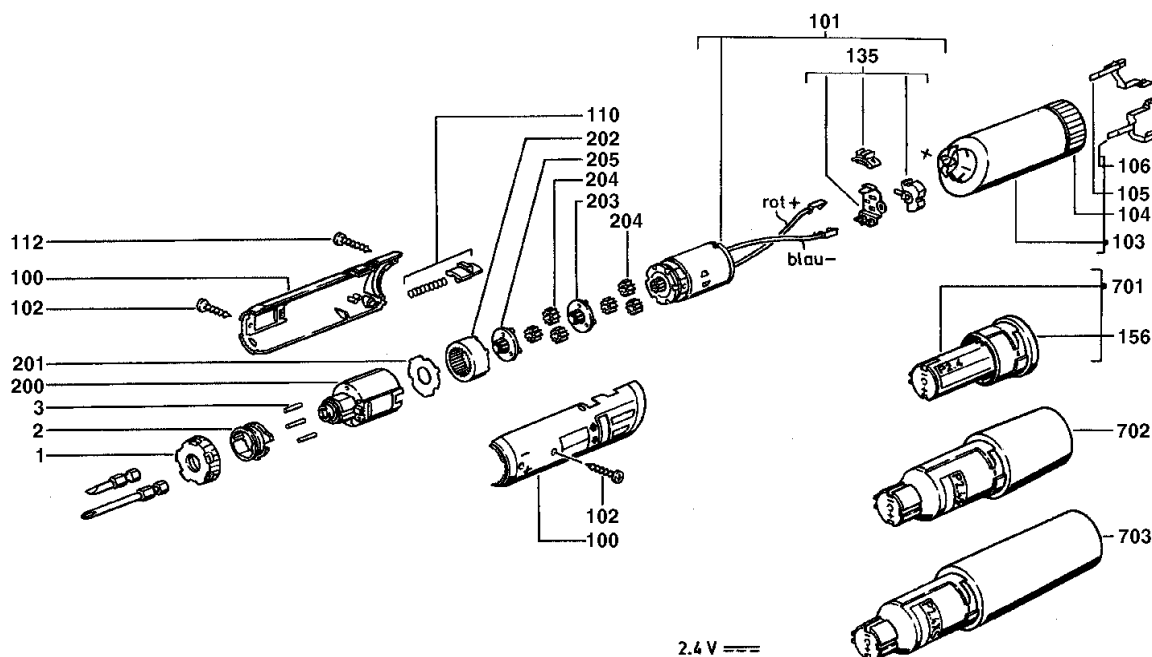
A & M Electric Tools

Battery Tools

Ind	Product No.	Type	Voltage	Country
a	4000382533	ABS6	2,4V	IN2

Ind	Product No.	Type	Voltage	Country

Milwaukee			
ABS6			
Exp.view No.	Version	Date	Page
4926 3825 50	0001	09.08.01	1/1



Pos	Index	Quanti	Article No.	Designation	Pos	Index	Quanti	Article No.	Designation
0001	a.....	1	4931319196	ADJUSTING RING	0703	a.....	1	4932317727	BATTERY PACK
0002	a.....	1	4931319155	SLEEVE					
0003	a.....	3	4931319156	LOCKING PIN					
0100	a.....	1	4931382537	HOUSING					
0101	a.....	1	4931319164	MOTOR					
0102	a.....	4	4931319159	SCREW					
0103	a.....	1	4931382538	HANDLE					
0104	a.....	1	4931319659	ADJUSTING RING					
0105	a.....	1	4931319660	YOKE					
0106	a.....	1	4931319661	YOKE					
0110	a.....	1	4931335399	LOCK COMPLETE					
0112	a.....	2	4931319204	SCREW					
0135	a.....	1	4931335400	SWITCH					
0156	a.....	1	4931317766	ADAPTOR					
0200	a.....	1	4931319590	GEAR BOX					
0201	a.....	1	4931319160	SEALING WASHER					
0202	a.....	1	4931319161	WHEEL					
0203	a.....	1	4931319162	RIDGE					
0204	a.....	6	4931319163	WHEEL					
0205	a.....	1	4931319592	RIDGE					
0701	a.....	1	4932317725	BATTERY PACK					
0702	a.....	1	4932317726	BATTERY PACK					

Repairs/modification and testing of electric power tools are to be carried out by specialists. The safety regulations according to DIN/VDE/CEE/AFNOR and other regulations valid in the different countries are to be observed.