

A & M Electric Tools

Ind	Product No.	Type	Voltage	Country
a	4000385151	BS100LE	230V	IN2
b	4000385176	BS100S	110V	GB1
c	4000385171	BS100S	240V	GB2

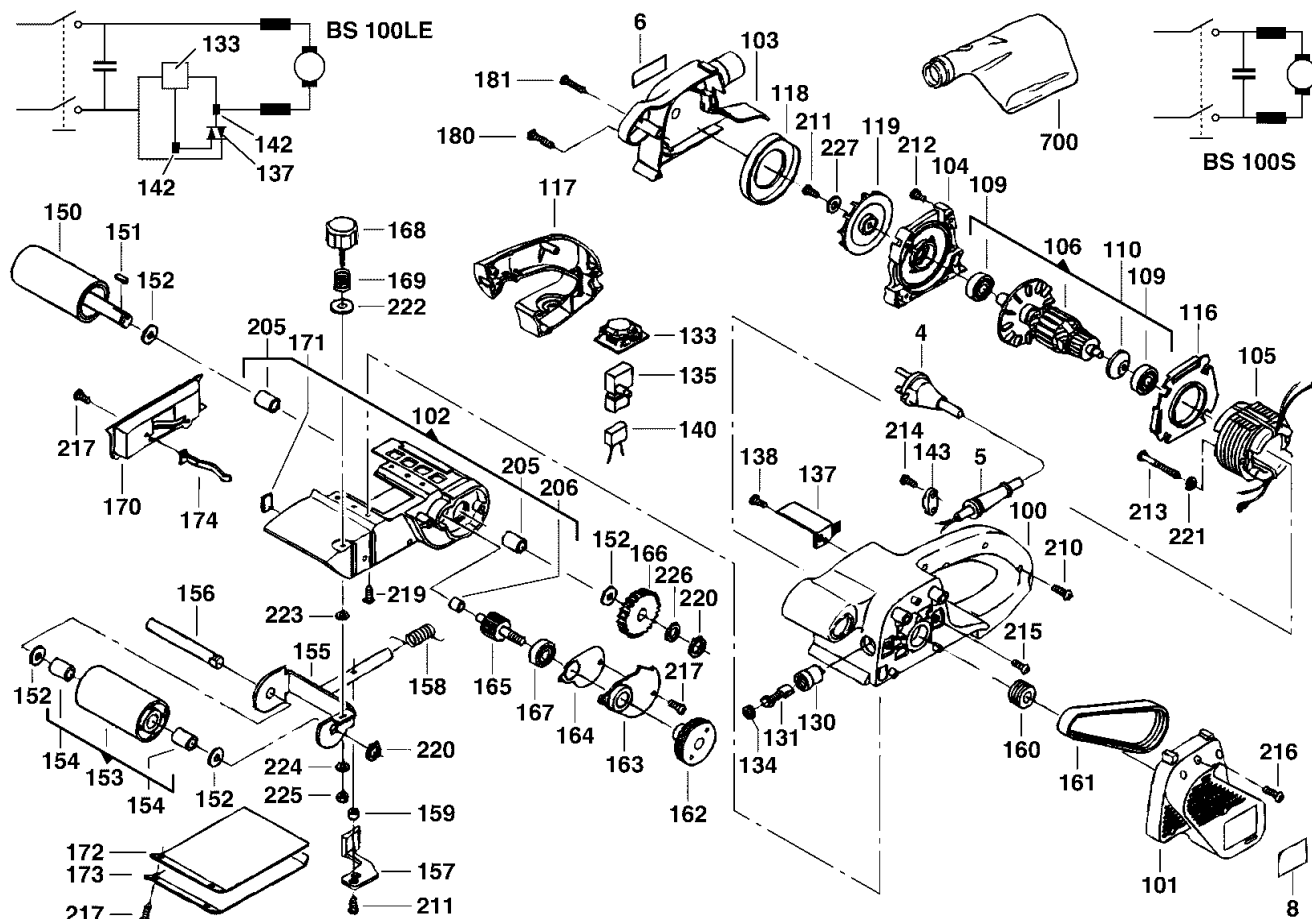
Belt Sanders

Milwaukee

BS100LE

BS100S

Exp.view No. Version Date Page
4926 3851 54 0002 10.11.03 1/2



Pos	Index	Quanti	Article No.	Designation	Pos	Index	Quanti	Article No.	Designation
0004	a.....	1	4931250832	CONNECTION CABLE	0117	a.....	1	4931385161	HANDLE COVER
0004	.b.....	1	4931623823	CONNECTION CABLE	0117	.bc.....	1	4931385168	HANDLE COVER
0004	.c.....	1	4931623820	CONNECTION CABLE	0118	abc.....	1	4931278709	AIR DEFLECTOR RING
0005	a.c.....	1	4931375305	PROTECTING COVER	0119	abc.....	1	4931375295	FAN
0005	.b.....	1	4931375355	PROTECTING COVER	0130	abc.....	2	4931375310	BRUSH HOLDER
0006	a.....	1	4931385158	RATING PLATE	0131	a.c.....	1	4931375311	CARBON BRUSH SET
0006	.b.....	1	4931385178	RATING PLATE	0131	.b.....	1	4931375354	CARBON BRUSH SET
0006	.c.....	1	4931385174	RATING PLATE	0133	a.....	1	4931375301	ELECTRONIC ELEMENT
0008	abc.....	1	4931385166	NAME PLATE	0134	abc.....	2	4931375312	BRUSH HOLDER CAP
0100	a.....	1	4931385160	MOTOR HOUSING	0135	abc.....	1	4931385159	SWITCH
0100	.bc.....	1	4931385167	MOTOR HOUSING	0137	a.....	1	4931375303	TRIAC
0101	abc.....	1	4931375309	BELT GUARD	0138	a.....	1	4931278748	SCREW
0102	abc.....	1	4931385162	ABSOLUTE UNIT	0140	abc.....	1	4931309142	CAPACITOR
0103	abc.....	1	4931385164	BLOWER COVER	0142	a.....	2	4931239963	CONNECTOR
0104	abc.....	1	4931375296	BEARING END PLATE	0143	abc.....	1	4931375304	CABLE COLLAR
0105	a.c.....	1	4931278688	ELECTRIC FIELD	0150	abc.....	1	4931278727	DRIVING ROLL
0105	.b.....	1	4931375352	ELECTRIC FIELD	0151	abc.....	1	4931610418	SPRING
0106	a.c.....	1	4931375297	ARMATURE	0152	abc.....	4	4931278754	WASHER
0106	.b.....	1	4931375353	ARMATURE	0153	abc.....	1	4931278741	STEERING ROLLER
0109	abc.....	2	4931913855	BALL BEARING	0154	abc.....	2	4931278756	BEARING SLEEVE
0110	abc.....	1	4931278753	SEAL RING	0155	a.....	1	4931345231	STEERING ROLL.SUPP
0116	abc.....	1	4931375298	AIR DEFLECTOR RING	0155	.bc.....	1	4931278737	STEERING ROLL.SUPP

Repairs/modification and testing of electric power tools are to be carried out by specialists. The safety regulations according to DIN/VDE/CEE/AFNOR and other regulations valid in the different countries are to be observed.

A & M Electric Tools

Ind	Product No.	Type	Voltage	Country
a	4000385151	BS100LE	230V	IN2
b	4000385176	BS100S	110V	GB1
c	4000385171	BS100S	240V	GB2

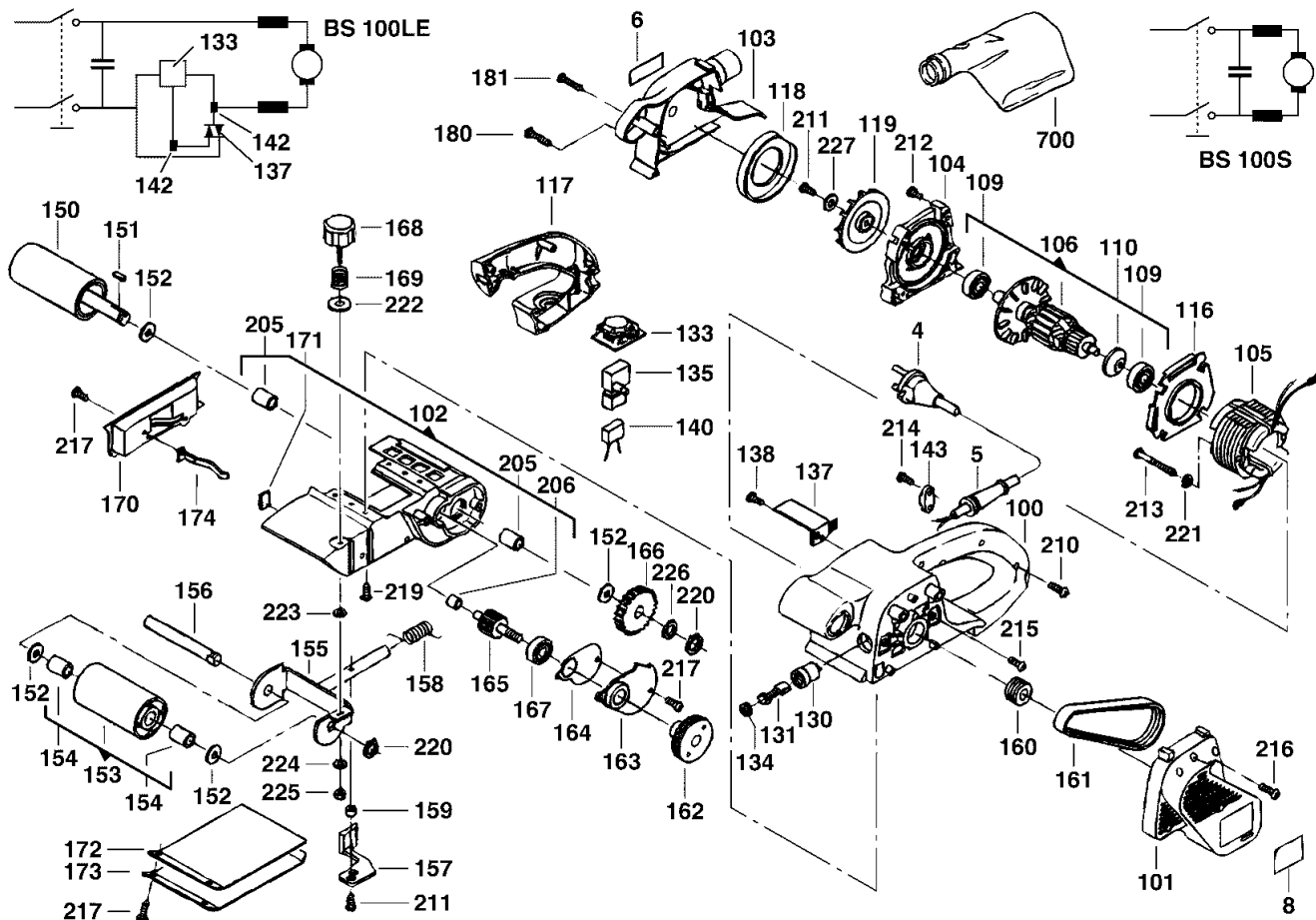
Belt Sanders

Milwaukee

BS100LE

BS100S

Exp.view No. Version Date Page
4926 3851 54 0002 10.11.03 2/2



Pos	Index	Quanti	Article No.	Designation	Pos	Index	Quanti	Article No.	Designation
0156	abc	1	4931278736	STEERING ROLL.AXLE	0206	abc	1	4931912093	SLEEVE
0157	abc	1	4931345232	TENSION LEVER	0210	abc	5	4931375308	SCREW
0158	abc	1	4931278738	SPRING	0211	abc	2	4931278751	SCREW
0159	abc	1	4931278739	DISTANCE SLEEVE	0212	abc	4	4931278760	SCREW
0160	abc	1	4931278723	PULLEY	0213	abc	2	4931278746	SCREW
0161	abc	1	4931278724	TOOTHED BELT	0214	abc	2	4931278749	SCREW
0162	abc	1	4931278733	PULLEY	0215	abc	2	4931278748	SCREW
0163	abc	1	4931278732	GEAR BOX COVER	0216	abc	3	4931375308	SCREW
0164	abc	1	4931278770	GASKET	0217	abc	6	4931278750	SCREW
0165	abc	1	4931313801	PINION	0219	abc	4	4931375325	SCREW
0166	abc	1	4931278730	GEAR	0220	abc	2	4931605142	RING
0167	abc	1	4931918146	BALL BEARING	0221	abc	2	4931615407	SPRING WASHER
0168	abc	1	4931375313	T-SCREW	0222	abc	1	4931278771	BACKING FLANGE
0169	abc	1	4931278729	SPRING	0223	abc	1	4931615675	SEALING WASHER
0170	abc	1	4931385165	COVER	0224	abc	1	4931615865	SEALING WASHER
0171	abc	3	4931375315	GUIDE	0225	abc	1	4931621424	NUT
0172	abc	1	4931345233	SUPP. FOR SAND BELT	0226	abc	1	4931375324	DISC
0173	abc	1	4931345234	SPRING PLATE	0227	abc	1	4931603515	SEALING WASHER
0174	abc	1	4931278699	SPRING	0700	abc	1	4932336597	DUST BAG
0180	abc	4	4931345225	SCREW					
0181	abc	1	4931375293	SCREW					
0205	abc	2	4931278756	BEARING SLEEVE					

Repairs/modification and testing of electric power tools are to be carried out by specialists. The safety regulations according to DIN/VDE/CEE/AFNOR and other regulations valid in the different countries are to be observed.