

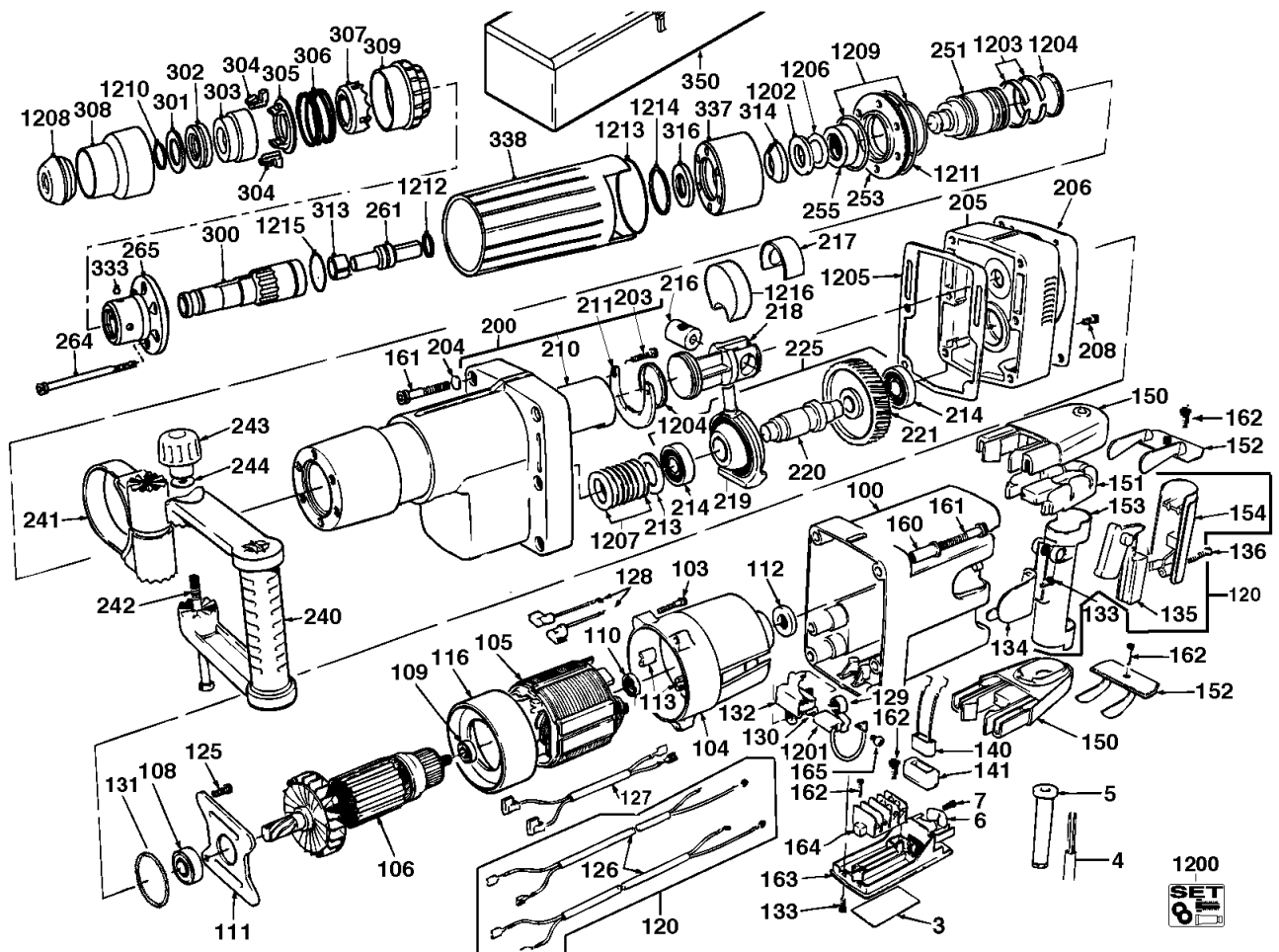
A & M Electric Tools

Ind	Product No.	Type	Voltage	Country
a	4000384141	PB14S BREAKER	220-230V	IN2
b	4000384235	PB14S BREAKER	110V	GB1
c	4000384259	PB14S BREAKER	240V	GB2

Rotary Hammers

Milwaukee
PB14S

Exp.view No. Version Date Page
4926 3841 43 0002 08.02.02 1/3



Pos	Index	Quanti	Article No.	Designation	Pos	Index	Quanti	Article No.	Designation
0003	a.....	1	4931384151	RATING PLATE	0113	abc.....	2	9170270910	RUBBER LOCK
0003	.b.....	1	4931384239	RATING PLATE	0116	abc.....	1	9170293410	AIR DEFLECTOR RING
0003	..c.....	1	4931384263	RATING PLATE	0120	abc.....	1	9170334070	SWITCH
0004	a.....	1	9170299980	CONNECTION CABLE	0125	abc.....	4	4931379708	SCREW
0004	.b.....	1	4931624108	CONNECTION CABLE	0126	abc.....	2	9170333750	WIRE
0004	..c.....	1	9170334120	CONNECTION CABLE	0127	abc.....	1	9170305380	WIRE
0005	abc.....	1	9170055430	CABLE ENTRY SLEEVE	0128	abc.....	2	4931624066	WIRE
0006	abc.....	1	9170056490	CABLE CLAMP	0129	abc.....	2	9170312480	SPRING
0007	abc.....	2	9170175610	SCREW	0130	abc.....	4	9170279750	SCREW
0100	abc.....	1	4931382253	MOTOR HOUSING	0131	abc.....	1	4931624087	SEAL RING
0103	abc.....	4	4931624075	SCREW	0132	abc.....	2	9170305410	BRUSH HOLDER
0104	abc.....	1	9170403100	HOUSING	0133	abc.....	4	4931624077	SCREW
0105	a.....	1	9170293990	ELECTRIC FIELD	0134	abc.....	2	4931382267	COVER
0105	.b.....	1	9170306080	ELECTRIC FIELD	0135	abc.....	1	4931374734	SWITCH
0105	..c.....	1	9170306070	ELECTRIC FIELD	0136	abc.....	1	9170250400	SCREW
0106	a.c.....	1	9170306050	ARMATURE	0140	abc.....	1	9170202967	CAPACITOR
0106	.b.....	1	9170306060	ARMATURE	0141	abc.....	1	9170299290	MOTOR CAP
0108	abc.....	1	9170021400	BEARING	0150	abc.....	2	4931382264	HANDGRIP HOLDER
0109	abc.....	1	4931341740	GROOVED BALL BEAR.	0151	abc.....	2	9170291120	DAMPER
0110	abc.....	1	9170403150	RUBBER SLEEVE	0152	abc.....	2	4931382265	SUPPORT
0111	abc.....	1	9170299410	PLATE	0153	abc.....	1	9170330440	HANDLE
0112	abc.....	1	9170288260	DAMPER	0154	abc.....	1	9170330450	HANDLE COVER

Repairs/modification and testing of electric power tools are to be carried out by specialists. The safety regulations according to DIN/VDE/CEE/AFNOR and other regulations valid in the different countries are to be observed.

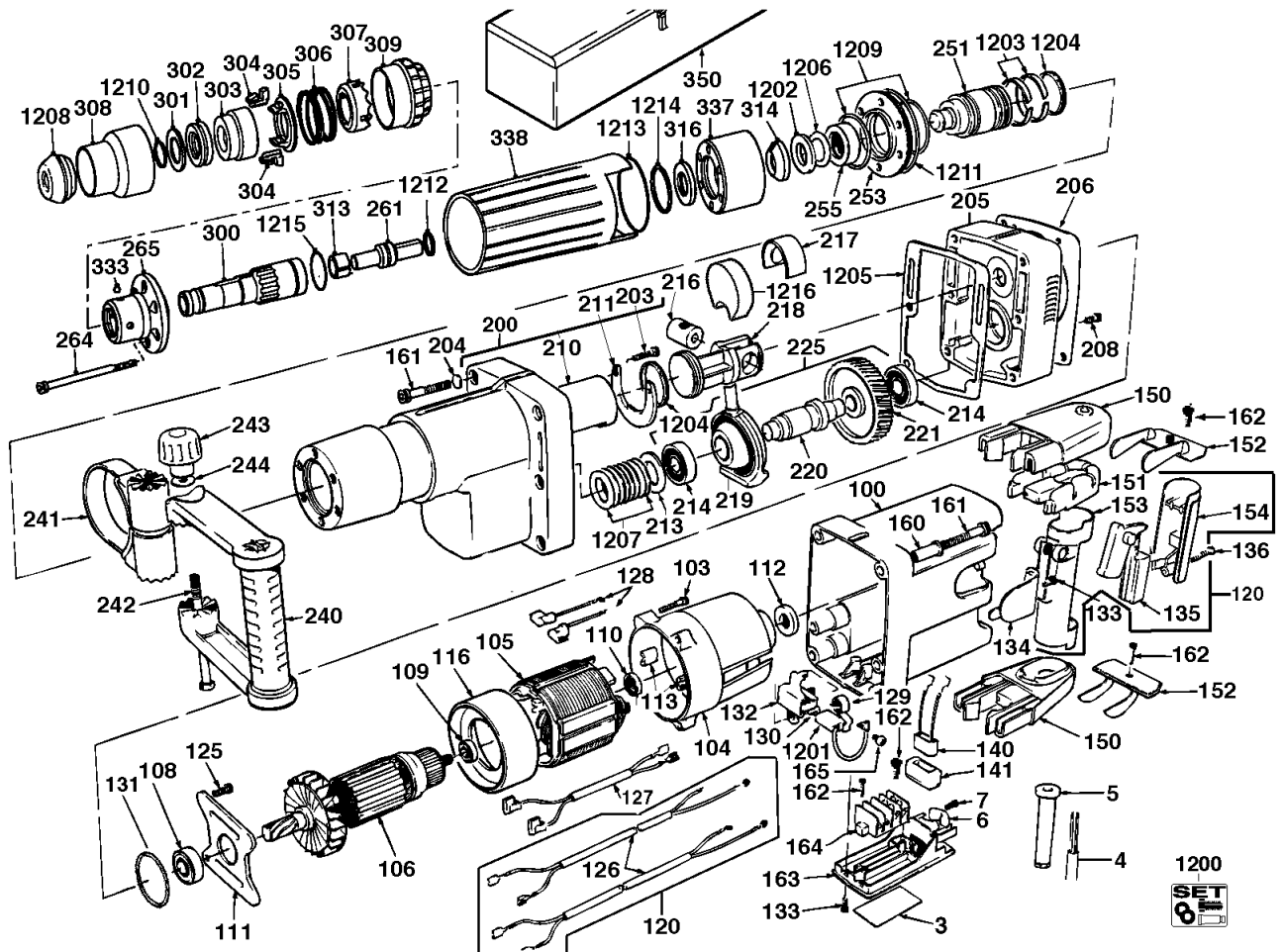
A & M Electric Tools

Ind	Product No.	Type	Voltage	Country
a	4000384141	PB14S BREAKER	220-230V	IN2
b	4000384235	PB14S BREAKER	110V	GB1
c	4000384259	PB14S BREAKER	240V	GB2

Rotary Hammers

Milwaukee
PB14S

Exp.view No. Version Date Page
4926 3841 43 0002 08.02.02 2/3



Pos	Index	Quanti	Article No.	Designation	Pos	Index	Quanti	Article No.	Designation
0160	abc.....	6	9170403490	INSERT	0225	abc.....	1	9170403540	REDUCTION GEAR
0161	abc.....	12	4931624074	SCREW	0240	abc.....	1	9170311140	HANDLE
0162	abc.....	4	9170230070	SCREW	0241	abc.....	1	9170292620	STRAP CASTING
0163	abc.....	1	4931382266	BRACKET	0242	abc.....	1	9170293890	THREADED BOLT
0164	abc.....	1	9170293880	CLAMPING PIECE	0243	abc.....	1	9170292670	TURNING KNOB
0165	abc.....	2	9170019730	SCREW	0244	abc.....	1	9170293930	WASHER
0200	abc.....	1	4931384152	BODY	0251	abc.....	1	9170403160	PERCUSSION BODY
0203	abc.....	3	4931624076	SCREW	0253	abc.....	1	9170291010	PROTECTION WASHER
0204	abc.....	6	9170298960	WASHER	0255	abc.....	1	9170299570	HOUSING
0205	abc.....	1	4931384150	BEARING HOUSING	0261	abc.....	1	9170350291	SNAP DIE
0206	abc.....	1	9170307270	GASKET	0264	abc.....	6	4931624073	SCREW
0208	abc.....	2	4931624094	SCREW	0265	abc.....	1	9170350277	ADAPTER SLEEVE
0210	abc.....	1	9170403360	SPINDLE SLEEVE	0300	abc.....	1	9170350269	TOOL ACCEPTANCE
0211	abc.....	1	9170327730	RETAINER	0301	abc.....	1	4931374974	DAMPING ELEMENT
0213	abc.....	1	9170291070	WASHER	0302	abc.....	1	4931375775	DAMPING RING
0214	abc.....	2	9170291040	BALL BEARING	0303	abc.....	1	4931384854	SLEEVE
0216	abc.....	1	9170403380	CYLINDRICAL BOLT	0304	abc.....	2	9170350257	LATCH
0217	abc.....	1	9170298290	CLAMP	0305	abc.....	1	9170324210	LATCH PLATE
0218	abc.....	1	9170403370	PISTON	0306	abc.....	1	9170350273	PRESSURE SPRING
0219	abc.....	1	9170403020	WOBBLE DRIVE	0307	abc.....	1	9170350272	HOLDING DEVICE
0220	abc.....	1	9170403340	REDUCT. GEAR SHAFT	0308	abc.....	1	9170350258	SLEEVE
0221	abc.....	1	9170311510	GEAR UNIT	0309	abc.....	1	9170350270	LOCK

Repairs/modification and testing of electric power tools are to be carried out by specialists. The safety regulations according to DIN/VDE/CEE/AFNOR and other regulations valid in the different countries are to be observed.

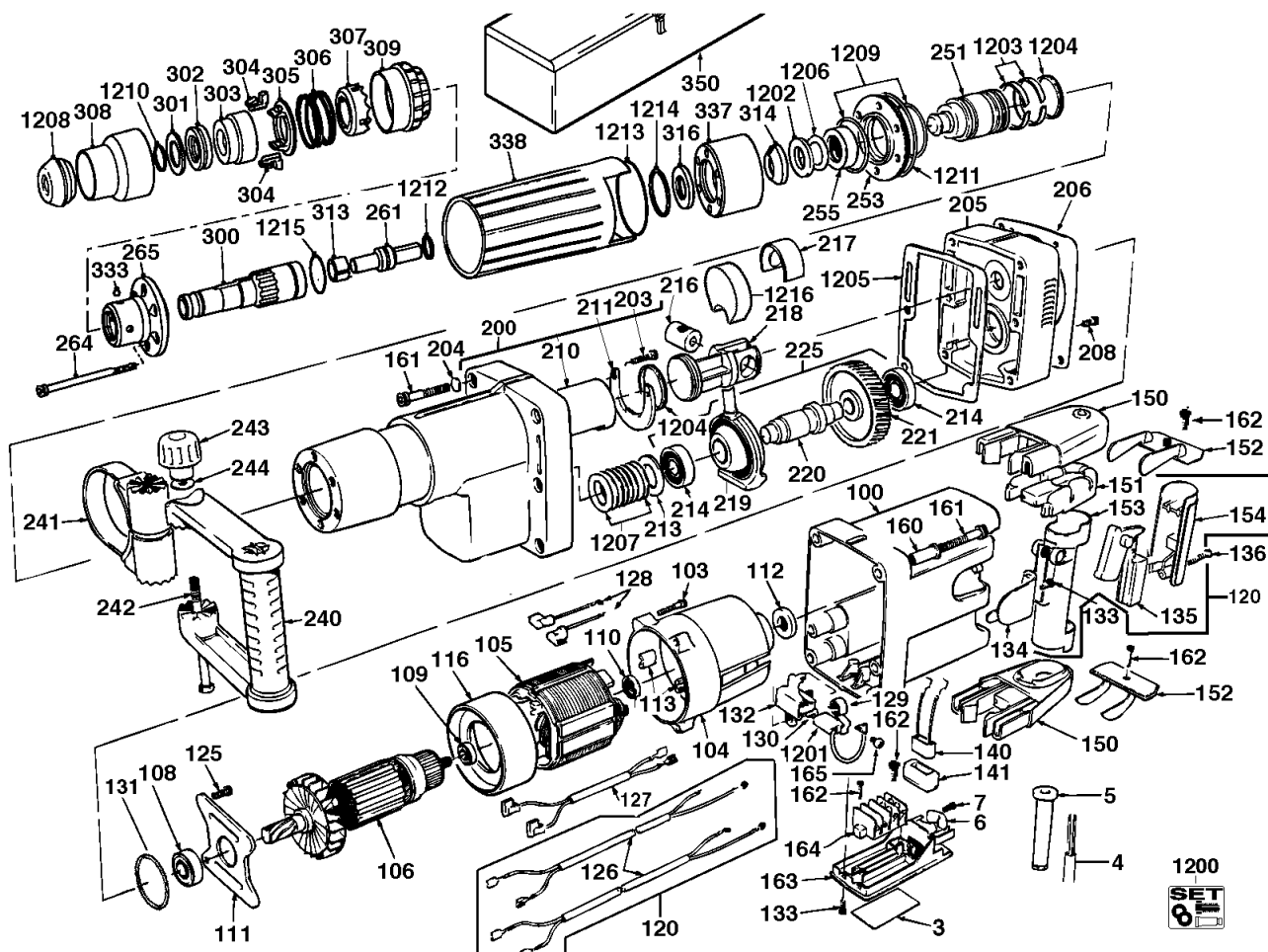
A & M Electric Tools

Ind	Product No.	Type	Voltage	Country
a	4000384141	PB14S BREAKER	220-230V	IN2
b	4000384235	PB14S BREAKER	110V	GB1
c	4000384259	PB14S BREAKER	240V	GB2

Rotary Hammers

Milwaukee
PB14S

Exp.view No. Version Date Page
4926 3841 43 0002 08.02.02 3/3



Pos	Index	Quanti	Article No.	Designation
0313	abc	1	9170350271	JUNK RING
0314	abc	1	9170350310	RING
0316	abc	1	9170350309	JUNK RING
0333	abc	4	9170350391	BALL
0337	abc	1	9170350292	INTERMEDIATE FLANG
0338	abc	1	9170350296	COVER
0350	abc	1	4931374294	CARRYING CASE
1200	abc	1	9170324980	MAINTENANCE SET
1201	abc	1	4931392566	CARBON BRUSH SET
1202	abc	1	4931379309	JUNK RING
1203	abc	2	9170306140	CLAMP
1204	abc	2	9170403290	SEAL RING
1205	abc	1	9170403460	GASKET
1206	abc	1	9170015940	RUBBER RING
1207	abc	8	9170291060	CUP SPRING
1208	abc	1	9170350243	END COVER CAP
1209	abc	2	9170293740	O-RING
1210	abc	1	9170319040	SPRING RING
1211	abc	1	9170293760	O-RING
1212	abc	1	9170293770	GASKET
1213	abc	1	9170350390	O-RING
1214	abc	1	9170350311	O-RING

Pos	Index	Quanti	Article No.	Designation
1215	abc	1	9170324250	O-RING
1216	abc	1	9170319880	INSERT