

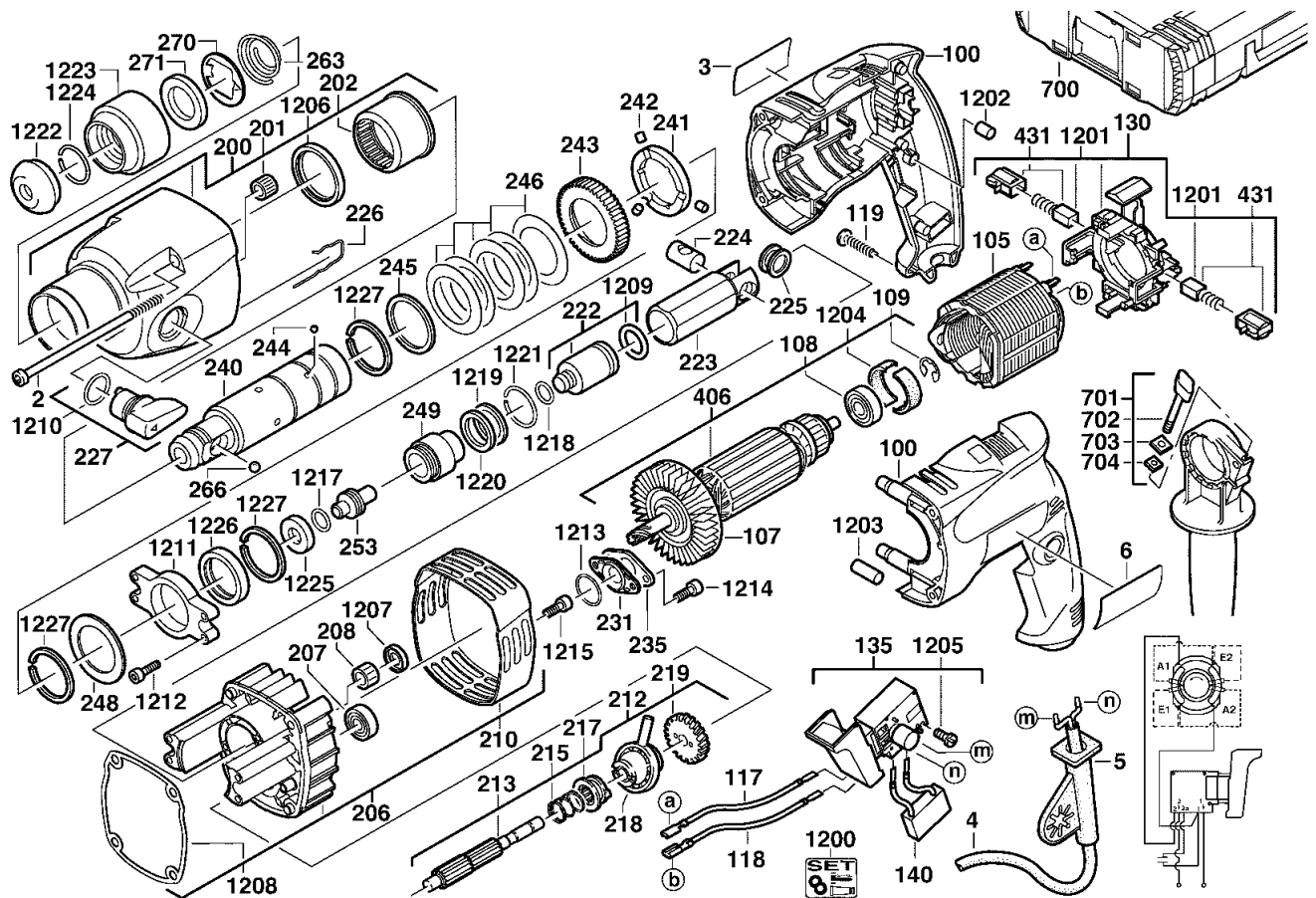
# A & M Electric Tools

Ind	Product No.	Type	Voltage	Country
a	4000384339	PFH202	220-240V	IN2
b	4000384351	PFH202	240V	GB2
c	4000384355	PFH202	110V	GB1

# Rotary Hammers

**Milwaukee**  
**PFH202**

Exp.view No.      Version      Date      Page  
**4926 3843 41      0003 28.08.03 1/3**



Pos	Index	Quanti	Article No.	Designation	Pos	Index	Quanti	Article No.	Designation
0002	abc.....	4	4931331734	SCREW	0135	ab.....	1	4931382238	SWITCH BOARD
0003	a.....	1	4931384344	RATING PLATE	0135	..c.....	1	4931374497	SWITCH BOARD
0003	.b.....	1	4931384353	RATING PLATE	0140	abc.....	1	4931311062	CAPACITOR
0003	..c.....	1	4931384358	RATING PLATE	0200	abc.....	1	4931382316	GEAR BOX
0004	a.....	1	4931302112	CONNECTION CABLE	0201	abc.....	1	4931933756	NEEDLE BEARING
0004	.b.....	1	4931328463	CONNECTION CABLE	0202	abc.....	1	4931365065	NEEDLE BUSH
0004	..c.....	1	4931624008	CONNECTION CABLE	0206	abc.....	1	4931382969	BEARING END PLATE
0005	abc.....	1	4931374149	CABLE ENTRY SLEEVE	0207	abc.....	1	4931623951	BALL BEARING
0006	abc.....	1	4931384345	NAME PLATE	0208	abc.....	1	4931219424	NEEDLE BEARING
0100	abc.....	1	4931384346	BODY	0210	abc.....	1	4931382970	INSUL.FOR END PLATE
0105	ab.....	1	4931365064	ELECTRIC FIELD	0212	abc.....	1	4931365015	REDUCTION GEAR
0105	..c.....	1	4931364086	ELECTRIC FIELD	0213	abc.....	1	4931365010	REDUCT. GEAR SHAFT
0107	abc.....	1	4931330633	FAN	0215	abc.....	1	4931365058	SPRING
0108	abc.....	1	4931624169	BALL BEARING	0217	abc.....	1	4931365012	COUPLING SLEEVE
0109	abc.....	1	4931621834	WASHER	0218	abc.....	1	4931365013	WOBBLE DRIVE
0117	ab.....	1	4931253700	WIRE	0219	abc.....	1	4931365014	REDUCTION GEAR
0117	..c.....	1	4931623372	WIRE	0222	abc.....	1	4931365028	PERCUSSION BODY
0118	ab.....	1	4931253700	WIRE	0223	abc.....	1	4931365029	CYLINDER
0118	..c.....	1	4931623372	WIRE	0224	abc.....	1	4931365056	CYLINDRICAL BOLT
0119	abc.....	5	4931618253	SCREW	0225	abc.....	2	4931365112	DISC
0130	ab.....	1	4931374498	SET COLLAR	0226	abc.....	1	4931365047	LOCKING WASHER
0130	..c.....	1	4931374499	SET COLLAR	0227	abc.....	1	4931374856	SWITCH HANDLE

Repairs/modification and testing of electric power tools are to be carried out by specialists. The safety regulations according to DIN/VDE/CEE/AFNOR and other regulations valid in the different countries are to be observed.

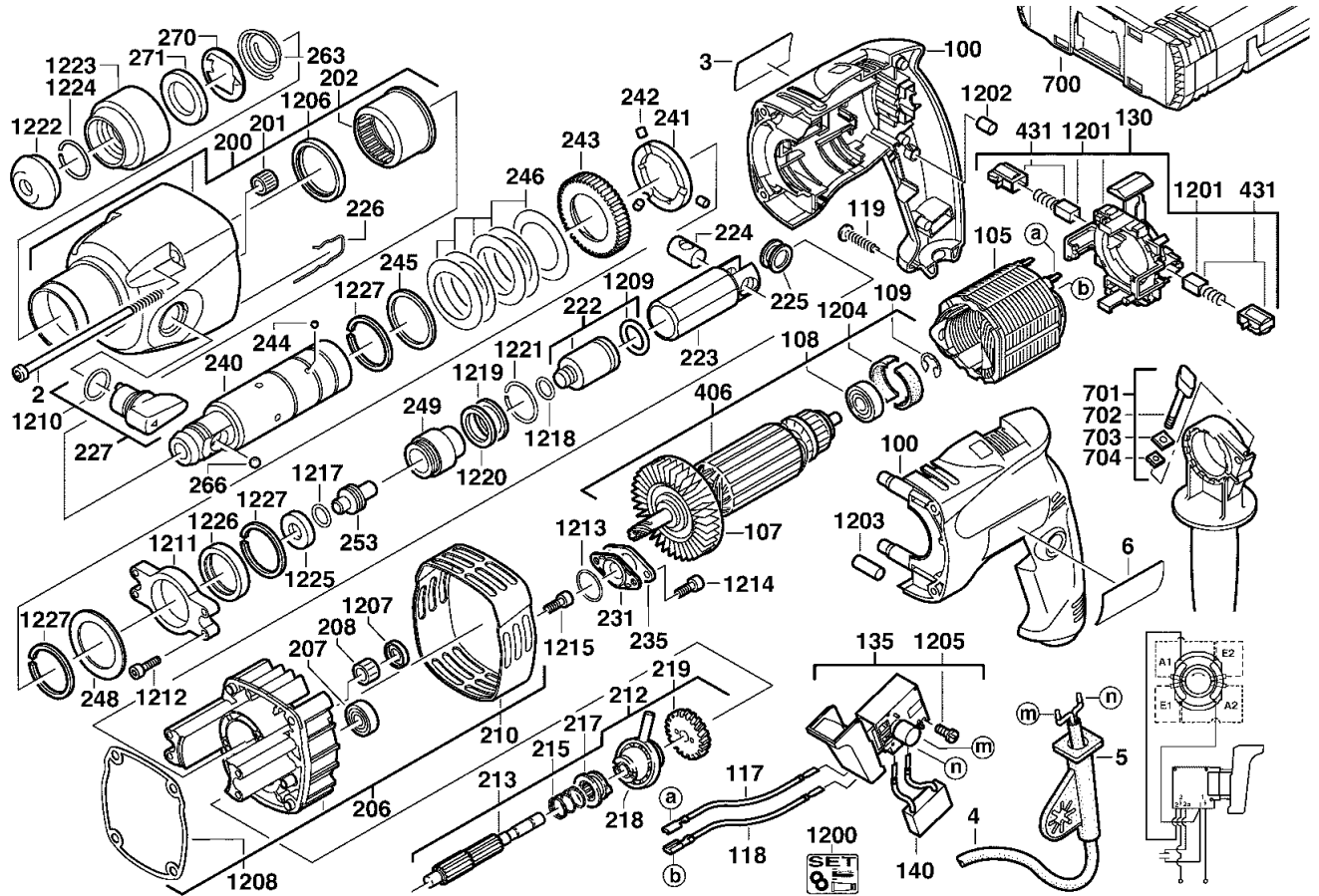
# A & M Electric Tools

Ind	Product No.	Type	Voltage	Country
a	4000384339	PFH202	220-240V	IN2
b	4000384351	PFH202	240V	GB2
c	4000384355	PFH202	110V	GB1

# Rotary Hammers

**Milwaukee  
PFH202**

Exp.view No.      Version      Date      Page  
**4926 3843 41      0003      28.08.03      2/3**



Pos	Index	Quanti	Article No.	Designation
0231	abc.....	1	4931365051	BEARING COVER
0235	abc.....	1	4931365135	SPECS
0240	abc.....	1	4931374258	SPINDLE SLEEVE
0241	abc.....	1	4931392751	CLUTCH DISC
0242	abc.....	3	4931365057	CYLINDRICAL BOLT
0243	abc.....	1	4931392489	SPINDLE GEAR
0244	abc.....	3	4931944281	BALL
0245	abc.....	1	4931623234	WASHER
0246	abc.....	5	4931365066	CUP SPRING
0248	abc.....	1	4931623199	WASHER
0249	abc.....	1	4931365136	SLEEVE
0253	abc.....	1	4931365034	SNAP DIE
0263	abc.....	1	4931343128	PRESSURE SPRING
0266	abc.....	1	4931911572	BALL
0270	abc.....	1	4931343127	SUPPORT PLATE
0271	abc.....	1	4931343126	HOLDING RING
0406	ab.....	1	4931365913	ARMATURE
0406	..c.....	1	4931374450	ARMATURE
0431	ab.....	1	4931392563	CARBON BRUSH SET
0431	..c.....	1	4931372361	CARBON BRUSH SET
0700	abc.....	1	4932378986	CARRYING CASE
0701	abc.....	1	4932373725	HANDLE

Pos	Index	Quanti	Article No.	Designation
0702	abc.....	1	4931254533	SCREW
0703	abc.....	1	4931271221	CLAMPING PLATE
0704	abc.....	1	4931614025	NUT
1200	ab.....	1	4931365910	MAINTENANCE SET
1200	..c.....	1	4931374197	MAINTENANCE SET
1201	ab.....	1	4931392604	CARBON BRUSH SET
1202	abc.....	1	4931271824	HOLDING-DOWN DEVIC
1203	abc.....	1	4931307423	HOLDING-DOWN DEVIC
1204	abc.....	1	4931392373	RUBBER SPRING
1205	abc.....	2	4931621772	SCREW
1206	abc.....	1	4931623885	SEAL RING
1207	abc.....	1	4931623700	SEAL RING
1208	abc.....	1	4931379289	SEAL
1209	abc.....	1	4931360319	SEAL RING
1210	abc.....	1	4931920948	O-RING
1211	abc.....	1	4931365032	SINTERED BEARING
1212	abc.....	4	4931623886	SCREW
1213	abc.....	1	4931623833	SEAL RING
1214	abc.....	2	4931267225	SCREW
1215	abc.....	1	4931374073	SCREW
1217	abc.....	1	4931623783	SEAL RING
1218	abc.....	1	4931623468	RADIAL SEAL RING

Repairs/modification and testing of electric power tools are to be carried out by specialists. The safety regulations according to DIN/VDE/CEE/AFNOR and other regulations valid in the different countries are to be observed.

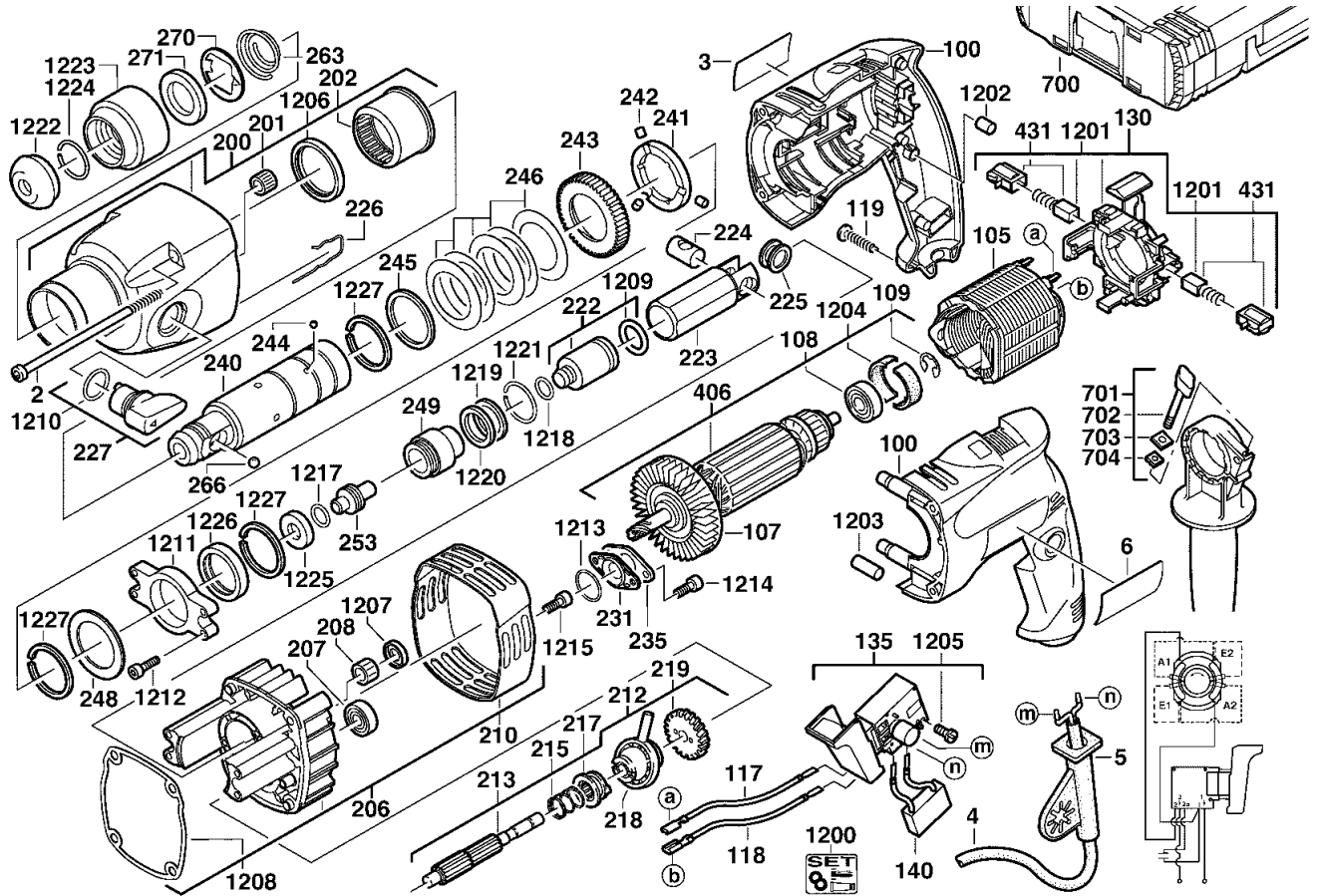
# A & M Electric Tools

# Rotary Hammers

Ind	Product No.	Type	Voltage	Country
a	4000384339	PFH202	220-240V	IN2
b	4000384351	PFH202	240V	GB2
c	4000384355	PFH202	110V	GB1

Ind	Product No.	Type	Voltage	Country

Milwaukee	
PFH202	
Exp.view No.	Version Date Page
4926 3843 41	0003 28.08.03 3/3



Pos	Index	Quanti	Article No.	Designation
1219	abc.....	1	4931622160	DISC
1220	abc.....	1	4931943504	O-RING
1221	abc.....	1	4931623860	SPRING RING
1222	abc.....	1	4931343123	CAP
1223	abc.....	1	4931365054	SLEEVE
1224	abc.....	1	4931623220	SPRING RING
1225	abc.....	1	4931374728	STOP WASHER
1226	abc.....	1	4931365188	DAMPING RING
1227	abc.....	3	4931945764	SPRING RING

Pos	Index	Quanti	Article No.	Designation

Repairs/modification and testing of electric power tools are to be carried out by specialists. The safety regulations according to DIN/VDE/CEE/AFNOR and other regulations valid in the different countries are to be observed.