

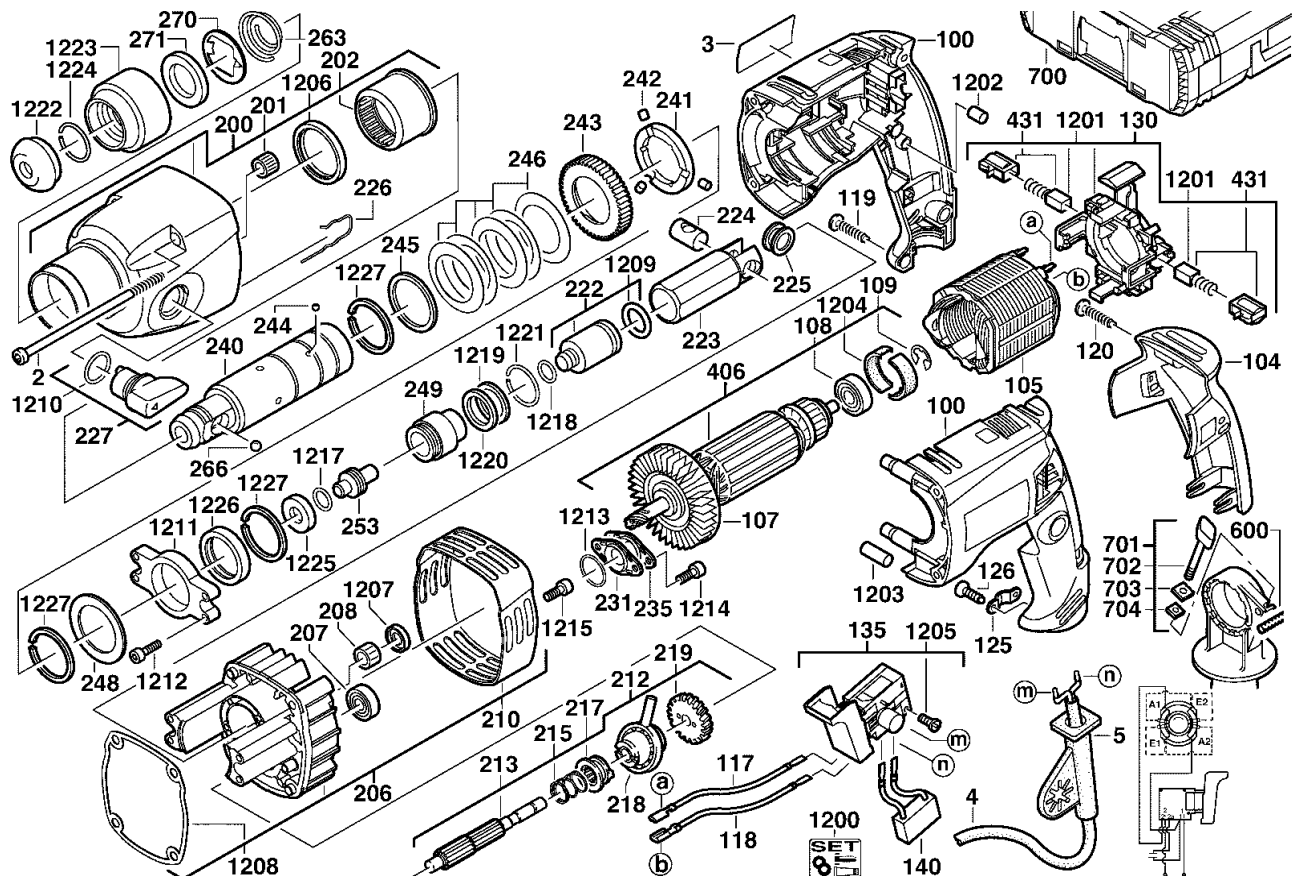
A & M Electric Tools

Rotary Hammers

Ind	Product No.	Type	Voltage	Country
a	4000382979	PFH20E	220-240V	IN2
b	4000392191	PFH20E	220-240V	AUS
c	4000392196	PFH20E	110V	GB1

Ind	Product No.	Type	Voltage	Country

Milwaukee	
PFH20E	
Exp.view No.	Version Date Page
4926 3829 81	0003 28.08.03 1/3



Pos	Index	Quanti	Article No.	Designation
0002	abc.....	4	4931331734	SCREW
0003	a.....	1	4931382983	RATING PLATE
0003	.b.....	1	4931392194	RATING PLATE
0003	..c.....	1	4931392199	RATING PLATE
0004	a.....	1	4931302112	CONNECTION CABLE
0004	.b.....	1	4931624340	CONNECTION CABLE
0004	..c.....	1	4931624008	CONNECTION CABLE
0005	abc.....	1	4931364122	PROTECTING COVER
0100	abc.....	1	4931374910	BODY
0104	abc.....	1	4931374488	HANDLE COVER
0105	ab.....	1	4931365064	ELECTRIC FIELD
0105	..c.....	1	4931364086	ELECTRIC FIELD
0107	abc.....	1	4931330633	FAN
0108	abc.....	1	4931624169	BALL BEARING
0109	abc.....	1	4931621834	WASHER
0117	ab.....	1	4931253700	WIRE
0117	..c.....	1	4931623372	WIRE
0118	ab.....	1	4931253700	WIRE
0118	..c.....	1	4931623372	WIRE
0119	abc.....	5	4931618253	SCREW
0120	abc.....	1	4931623973	SCREW
0125	abc.....	1	4931256500	CABLE COLLAR

Pos	Index	Quanti	Article No.	Designation
0126	abc.....	2	4931624538	SCREW
0130	ab.....	1	4931374498	SET COLLAR
0130	..c.....	1	4931374499	SET COLLAR
0135	a.....	1	4931382238	SWITCH BOARD
0135	.b.....	1	4931374459	SWITCH BOARD
0135	..c.....	1	4931374497	SWITCH BOARD
0140	abc.....	1	4931311062	CAPACITOR
0200	abc.....	1	4931382316	GEAR BOX
0201	abc.....	1	4931933756	NEEDLE BEARING
0202	abc.....	1	4931365065	NEEDLE BUSH
0206	abc.....	1	4931382969	BEARING END PLATE
0207	abc.....	1	4931623951	BALL BEARING
0208	abc.....	1	4931219424	NEEDLE BEARING
0210	abc.....	1	4931382970	INSUL.FOR END PLATE
0212	abc.....	1	4931365015	REDUCTION GEAR
0213	abc.....	1	4931365010	REDUCT. GEAR SHAFT
0215	abc.....	1	4931365058	SPRING
0217	abc.....	1	4931365012	COUPLING SLEEVE
0218	abc.....	1	4931365013	WOBBLE DRIVE
0219	abc.....	1	4931365014	REDUCTION GEAR
0222	abc.....	1	4931365028	PERCUSSION BODY
0223	abc.....	1	4931365029	CYLINDER

Repairs/modification and testing of electric power tools are to be carried out by specialists. The safety regulations according to DIN/VDE/CEE/AFNOR and other regulations valid in the different countries are to be observed.

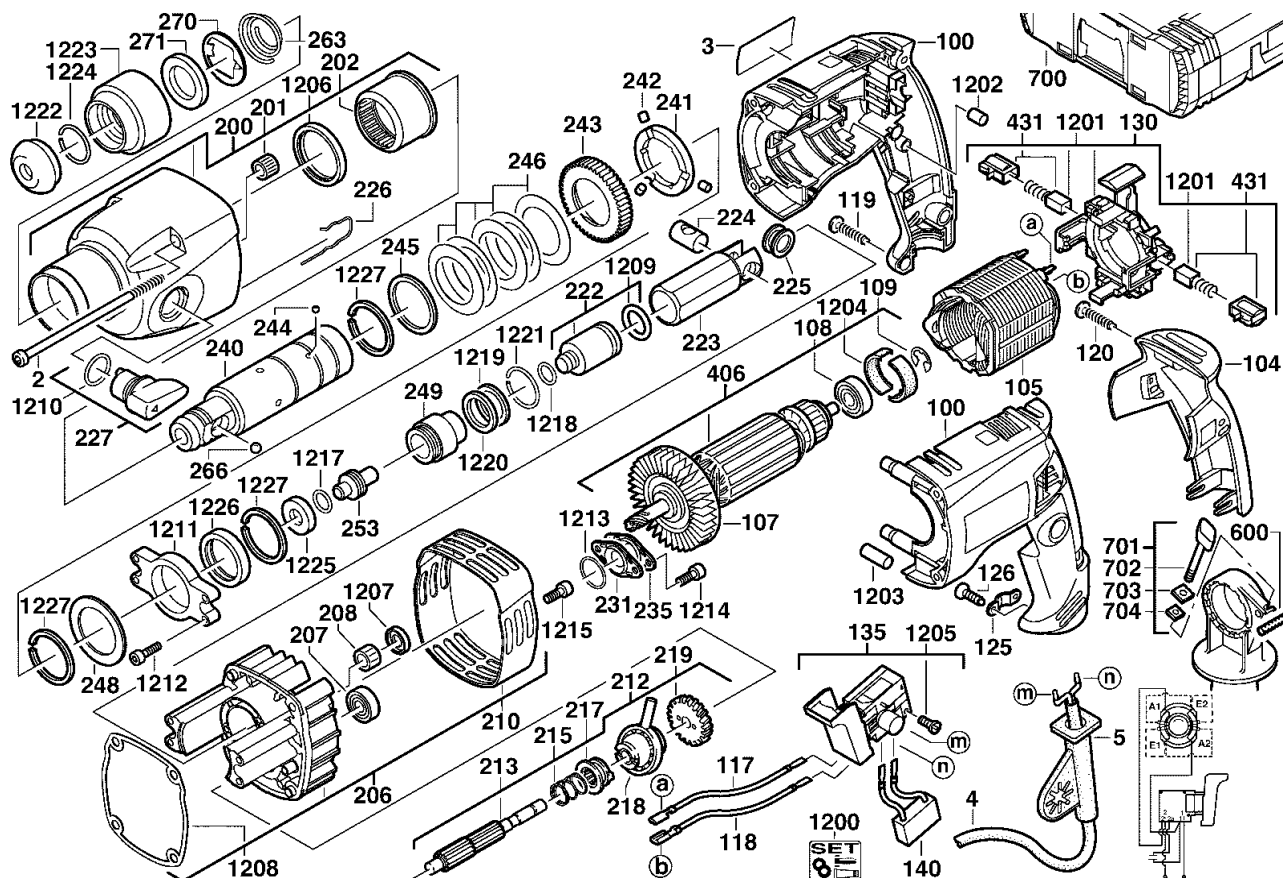
A & M Electric Tools

Ind	Product No.	Type	Voltage	Country
a	4000382979	PFH20E	220-240V	IN2
b	4000392191	PFH20E	220-240V	AUS
c	4000392196	PFH20E	110V	GB1

Rotary Hammers

Milwaukee
PFH20E

Exp.view No. Version Date Page
4926 3829 81 0003 28.08.03 2/3



Pos	Index	Quanti	Article No.	Designation	Pos	Index	Quanti	Article No.	Designation
0224	abc.....	1	4931365056	CYLINDRICAL BOLT	0431	ab.....	1	4931392563	CARBON BRUSH SET
0225	abc.....	2	4931365112	DISC	0431	..c.....	1	4931372361	CARBON BRUSH SET
0226	abc.....	1	4931365047	LOCKING WASHER	0600	abc.....	1	4931384434	DEPTH GAUGE
0227	abc.....	1	4931374856	SWITCH HANDLE	0700	abc.....	1	4932378986	CARRYING CASE
0231	abc.....	1	4931365051	BEARING COVER	0701	abc.....	1	4932373725	HANDLE
0235	abc.....	1	4931365135	SPECS	0702	abc.....	1	4931254533	SCREW
0240	abc.....	1	4931374258	SPINDLE SLEEVE	0703	abc.....	1	4931271221	CLAMPING PLATE
0241	abc.....	1	4931392751	CLUTCH DISC	0704	abc.....	1	4931614025	NUT
0242	abc.....	3	4931365057	CYLINDRICAL BOLT	1200	ab.....	1	4931365910	MAINTENANCE SET
0243	abc.....	1	4931392489	SPINDLE GEAR	1200	..c.....	1	4931374197	MAINTENANCE SET
0244	abc.....	3	4931944281	BALL	1201	ab.....	1	4931392604	CARBON BRUSH SET
0245	abc.....	1	4931623234	WASHER	1202	abc.....	1	4931271824	HOLDING-DOWN DEVIC
0246	abc.....	5	4931365066	CUP SPRING	1203	abc.....	1	4931307423	HOLDING-DOWN DEVIC
0248	abc.....	1	4931623199	WASHER	1204	abc.....	1	4931392373	RUBBER SPRING
0249	abc.....	1	4931365136	SLEEVE	1205	abc.....	2	4931621772	SCREW
0253	abc.....	1	4931365034	SNAP DIE	1206	abc.....	1	4931623885	SEAL RING
0263	abc.....	1	4931343128	PRESSURE SPRING	1207	abc.....	1	4931623700	SEAL RING
0266	abc.....	1	4931911572	BALL	1208	abc.....	1	4931379289	SEAL
0270	abc.....	1	4931343127	SUPPORT PLATE	1209	abc.....	1	4931360319	SEAL RING
0271	abc.....	1	4931343126	HOLDING RING	1210	abc.....	1	4931920948	O-RING
0406	ab.....	1	4931365913	ARMATURE	1211	abc.....	1	4931365032	SINTERED BEARING
0406	..c.....	1	4931374450	ARMATURE	1212	abc.....	4	4931623886	SCREW

Repairs/modification and testing of electric power tools are to be carried out by specialists. The safety regulations according to DIN/VDE/CEE/AFNOR and other regulations valid in the different countries are to be observed.

A & M Electric Tools

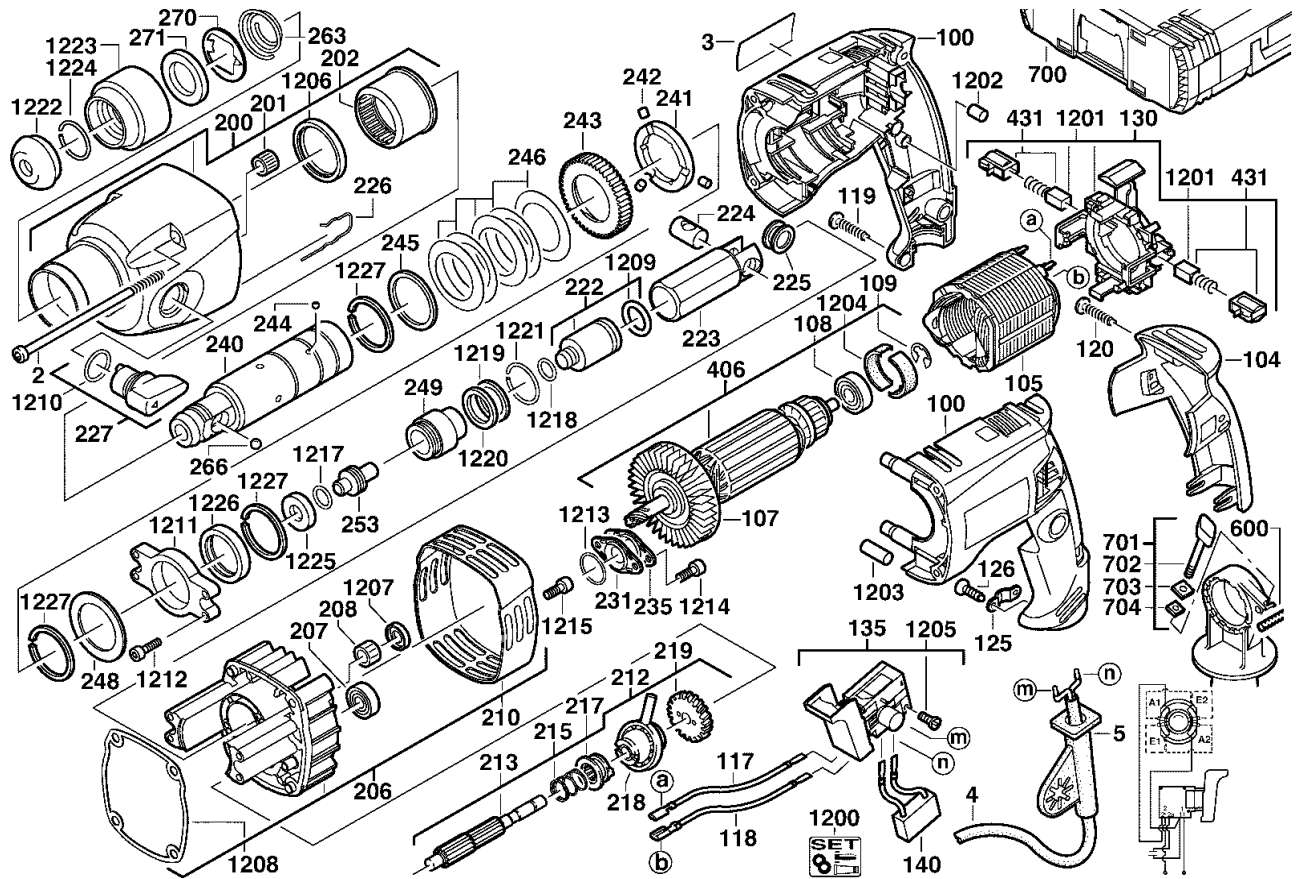
Rotary Hammers

Milwaukee PFH20E

Ind	Product No.	Type	Voltage	Country
a	4000382979	PFH20E	220-240V	IN2
b	4000392191	PFH20E	220-240V	AUS
c	4000392196	PFH20E	110V	GB1

Ind	Product No.	Type	Voltage	Country
-----	-------------	------	---------	---------

Exp.view No. Version Date Page
 4926 3829 81 0003 28.08.03 3/3



Pos	Index	Quanti	Article No.	Designation
1213	abc.....	1	4931623833	SEAL RING
1214	abc.....	2	4931267225	SCREW
1215	abc.....	1	4931374073	SCREW
1217	abc.....	1	4931623783	SEAL RING
1218	abc.....	1	4931623468	RADIAL SEAL RING
1219	abc.....	1	4931622160	DISC
1220	abc.....	1	4931943504	O-RING
1221	abc.....	1	4931623860	SPRING RING
1222	abc.....	1	4931343123	CAP
1223	abc.....	1	4931365054	SLEEVE
1224	abc.....	1	4931623220	SPRING RING
1225	abc.....	1	4931374728	STOP WASHER
1226	abc.....	1	4931365188	DAMPING RING
1227	abc.....	3	4931945764	SPRING RING

Pos	Index	Quanti	Article No.	Designation
-----	-------	--------	-------------	-------------

Repairs/modification and testing of electric power tools are to be carried out by specialists. The safety regulations according to DIN/VDE/CEE/AFNOR and other regulations valid in the different countries are to be observed.