

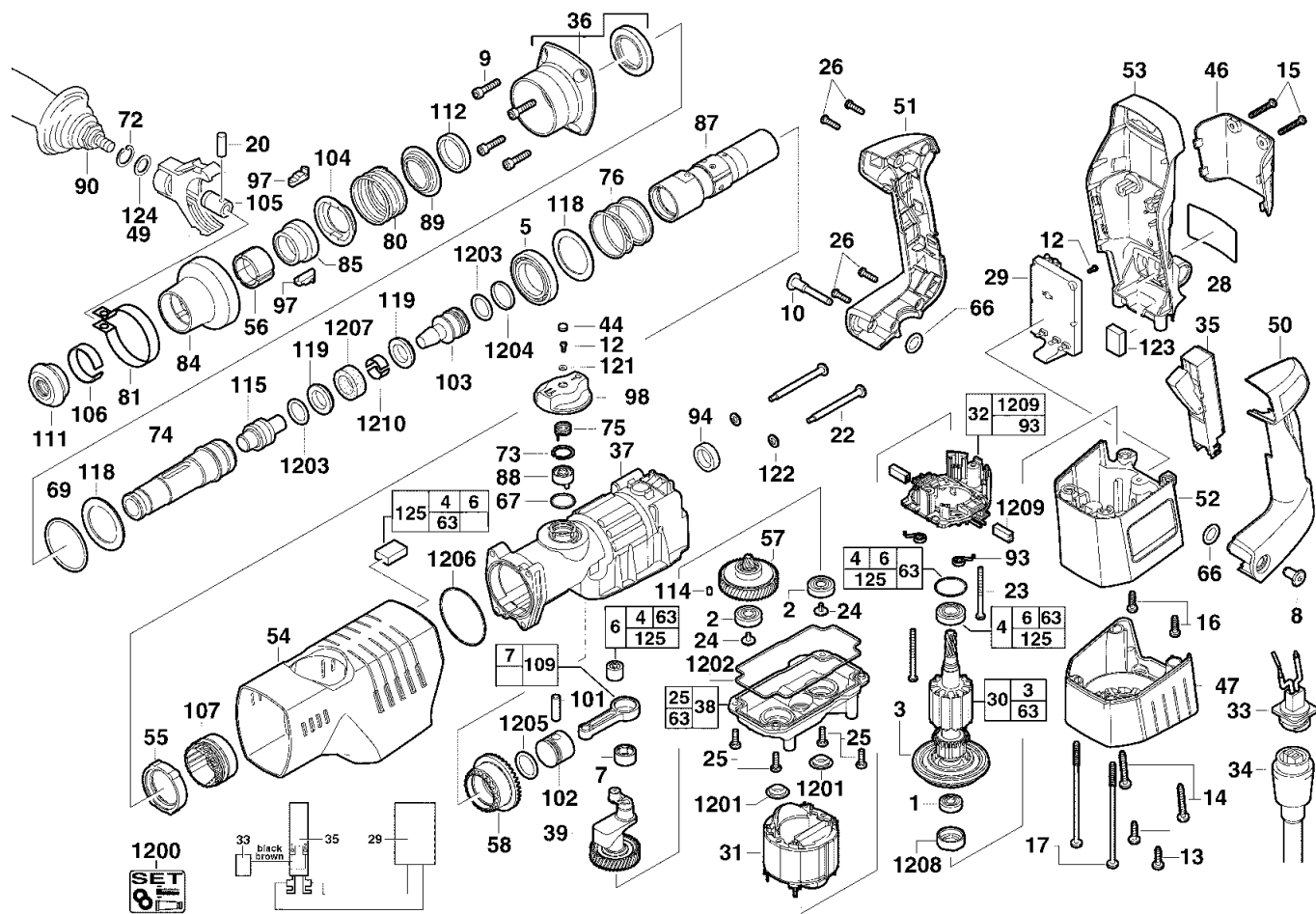
# A & M Electric Tools

Ind	Product No.	Type	Voltage	Country
a	4000384509	PH40SQ	220-240V	IN2
b	4000384509	PH40SQ	220-240V	AUS
c	4000384509	PH40SQ	220-240V	GB2
d	4000384509	PH40SQ	220-240V	CH2

# Rotary Hammers

Milwaukee  
**PH 40 SQ**

Exp.view No.      Version    Date      Page  
**4926 3845 10    0006 28.01.05 1/3**



Pos	Index	Quanti	Article No.	Designation	Pos	Index	Quanti	Article No.	Designation
0001	abcd.....	1	02040845	BALL BEARING	0028	abcd.....	1	12205314	NAME PLATE
0002	abcd.....	2	02040911	BALL BEARING	0029	abcd.....	1	14201067	ELECTRONIC
0003	abcd.....	1	22840875	FAN	0030	abcd.....	1	16341541	ARMATURE
0004	abcd.....	1	14460040	REPAIR KIT	0031	abcd.....	1	18340300	ELECTRIC FIELD
0005	abcd.....	1	02080640	BALL BEARING	0032	abcd.....	1	22221530	OBTAIN BULLETIN 0103
0006	abcd.....	1	14460040	REPAIR KIT	0033	abcd.....	1	22560694	HOUSING
0007	abcd.....	1	02504020	NEEDLE BEARING	0034 a.....	1	4931624171	CONNECTION CABLE	
0008	abcd.....	1	05590100	NUT	0034 b.....	1	4931624342	CONNECTION CABLE	
0009	abcd.....	4	05740625	SCREW	0034 c.....	1	4931624184	CONNECTION CABLE	
0010	abcd.....	1	05770100	BEARING BOLT	0034 d.....	1	4931624181	CONNECTION CABLE	
0012	abcd.....	1	05885910	SCREW	0035	abcd.....	1	23662195	SWITCH
0013	abcd.....	2	05885930	SCREW	0036	abcd.....	1	14520030	SERVICE TOOL
0014	abcd.....	2	05885940	SCREW	0037	abcd.....	1	28142541	CRANKCASE
0015	abcd.....	2	05889920	SCREW	0038	abcd.....	1	14462565	GEAR CASE
0016	abcd.....	2	05889930	SCREW	0039	abcd.....	1	14090160	CRANK ASSEMBLY
0017	abcd.....	2	05889940	SCREW	0044	abcd.....	1	31120185	SCREW
0020	abcd.....	1	06651660	PIN	0046	abcd.....	1	31150623	COVER
0022	abcd.....	2	06811805	SCREW	0047	abcd.....	1	31152053	MOTOR COVER
0023	abcd.....	2	06827375	SCREW	0049	abcd.....	1	31442000	HANDLE
0024	abcd.....	2	06828842	SCREW	0050	abcd.....	1	31442231	HANDLE LEFT
0025	abcd.....	4	05889910	SCREW	0051	abcd.....	1	31442241	HANDLE RIGHT
0026	abcd.....	5	06956290	SCREW	0052	abcd.....	1	31505101	CASING

Repairs/modification and testing of electric power tools are to be carried out by specialists. The safety regulations according to DIN/VDE/CEE/AFNOR and other regulations valid in the different countries are to be observed.

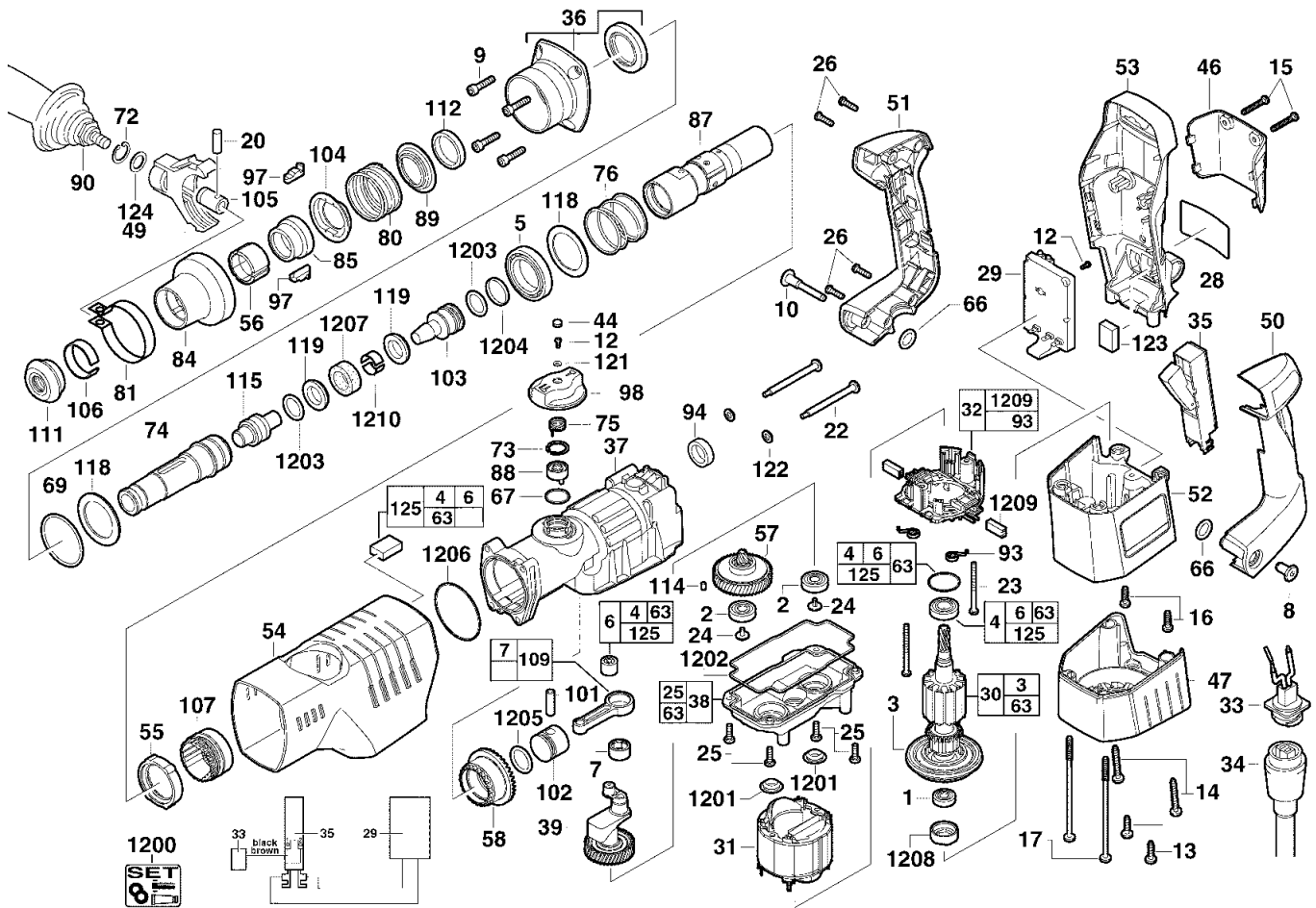
# A & M Electric Tools

Ind	Product No.	Type	Voltage	Country
a	4000384509	PH40SQ	220-240V	IN2
b	4000384509	PH40SQ	220-240V	AUS
c	4000384509	PH40SQ	220-240V	GB2
d	4000384509	PH40SQ	220-240V	CH2

# Rotary Hammers

Milwaukee  
**PH 40 SQ**

Exp.view No.      Version    Date      Page  
**4926 3845 10    0006    28.01.05    2/3**



Pos	Index	Quanti	Article No.	Designation	Pos	Index	Quanti	Article No.	Designation
0053	abcd	1	31550281	COVER	0090	abcd	1	43620843	HANDLE
0054	abcd	1	31550301	MAIN SHROUD	0093	abcd	2	40502220	SPRING
0055	abcd	1	31580150	RING	0094	abcd	1	44340300	HANDLE
0056	abcd	1	31860100	SPACER	0097	abcd	2	43960220	KEY
0057	abcd	1	14080210	CLUTCH WHEEL	0098	abcd	1	14340180	KNOB
0058	abcd	1	32300060	DRIVE GEAR	0101	abcd	1	44601710	PIN
0063	abcd	1	14460040	REPAIR KIT	0102	abcd	1	44620230	PISTON
0066	abcd	2	34404490	O-RING	0103	abcd	1	44820220	RAM
0067	abcd	1	34404500	O-RING	0104	abcd	1	44860610	RING
0069	abcd	1	34404520	O-RING	0105	abcd	1	44860620	RETAINER
0072	abcd	1	34602580	RING	0106	abcd	1	44900005	RING
0073	abcd	1	34805010	THRUST COLLAR	0107	abcd	1	44900175	VARIABLE RING
0074	abcd	1	38506250	SPINDLE	0109	abcd	1	44940395	ROD
0075	abcd	1	40500370	SPRING	0111	abcd	1	45060555	SEAL RING
0076	abcd	1	40500380	SPRING	0112	abcd	1	45060685	FELT PACKING
0080	abcd	1	40508870	PRESSURE SPRING	0114	abcd	1	45300060	RETAINER
0081	abcd	1	42160125	BAND	0115	abcd	1	45562640	PERCUSSION BODY
0084	abcd	1	42760710	COVER	0118	abcd	2	45881565	WASHER
0085	abcd	1	42760715	BUSH	0119	abcd	2	45884005	WASHER
0087	abcd	1	42980260	BARREL	0121	abcd	1	45887170	WASHER
0088	abcd	1	14140170	JUMPER RING	0122	abcd	2	45888555	WASHER
0089	abcd	1	43340440	SPRING	0123	abcd	1	45060535	SEAL

Repairs/modification and testing of electric power tools are to be carried out by specialists. The safety regulations according to DIN/VDE/CEE/AFNOR and other regulations valid in the different countries are to be observed.

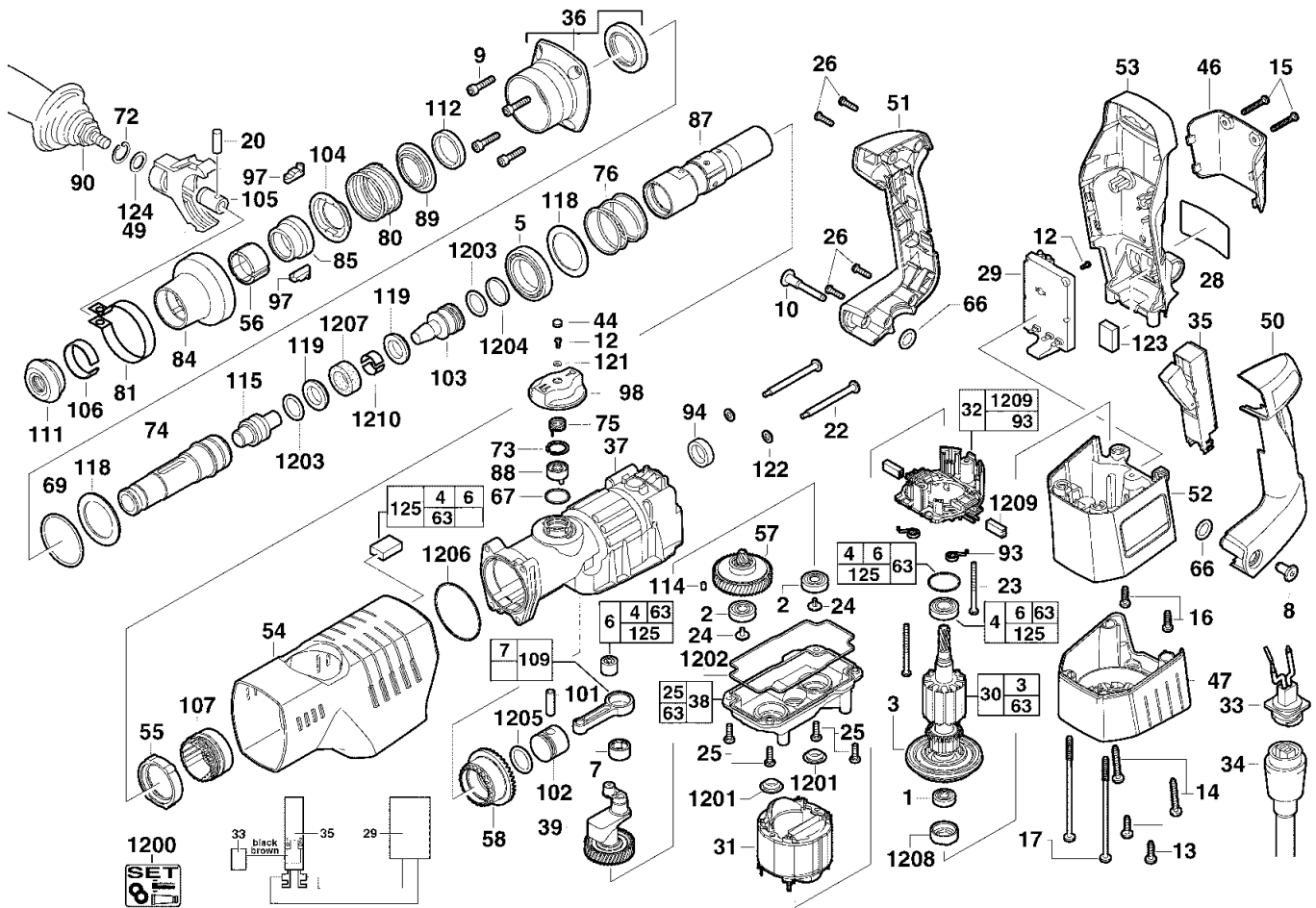
# A & M Electric Tools

Ind	Product No.	Type	Voltage	Country
a	4000384509	PH40SQ	220-240V	IN2
b	4000384509	PH40SQ	220-240V	AUS
c	4000384509	PH40SQ	220-240V	GB2
d	4000384509	PH40SQ	220-240V	CH2

# Rotary Hammers

Milwaukee  
**PH 40 SQ**

Exp.view No.      Version    Date      Page  
4926 3845 10    0006    28.01.05    3/3



Pos	Index	Quanti	Article No.	Designation
0124	abcd	1	45888730	WASHER
0125	abcd	1	14460040	REPAIR KIT
1200	abcd	1	14469266	SERVICE-KIT
1201	abcd	2	31120040	PLUG
1202	abcd	1	34400240	SEAL
1203	abcd	2	34404350	O-RING
1204	abcd	1	34404475	SEAL
1205	abcd	1	34404510	O-RING
1206	abcd	1	34404530	O-RING
1207	abcd	1	34404570	DAMPING WASHER
1208	abcd	1	42960125	BEARING SLEEVE
1209	abcd	1	22181355	CARBON BRUSH SET
1210	abcd	2	45220680	SLEEVE

Pos	Index	Quanti	Article No.	Designation
-----	-------	--------	-------------	-------------