

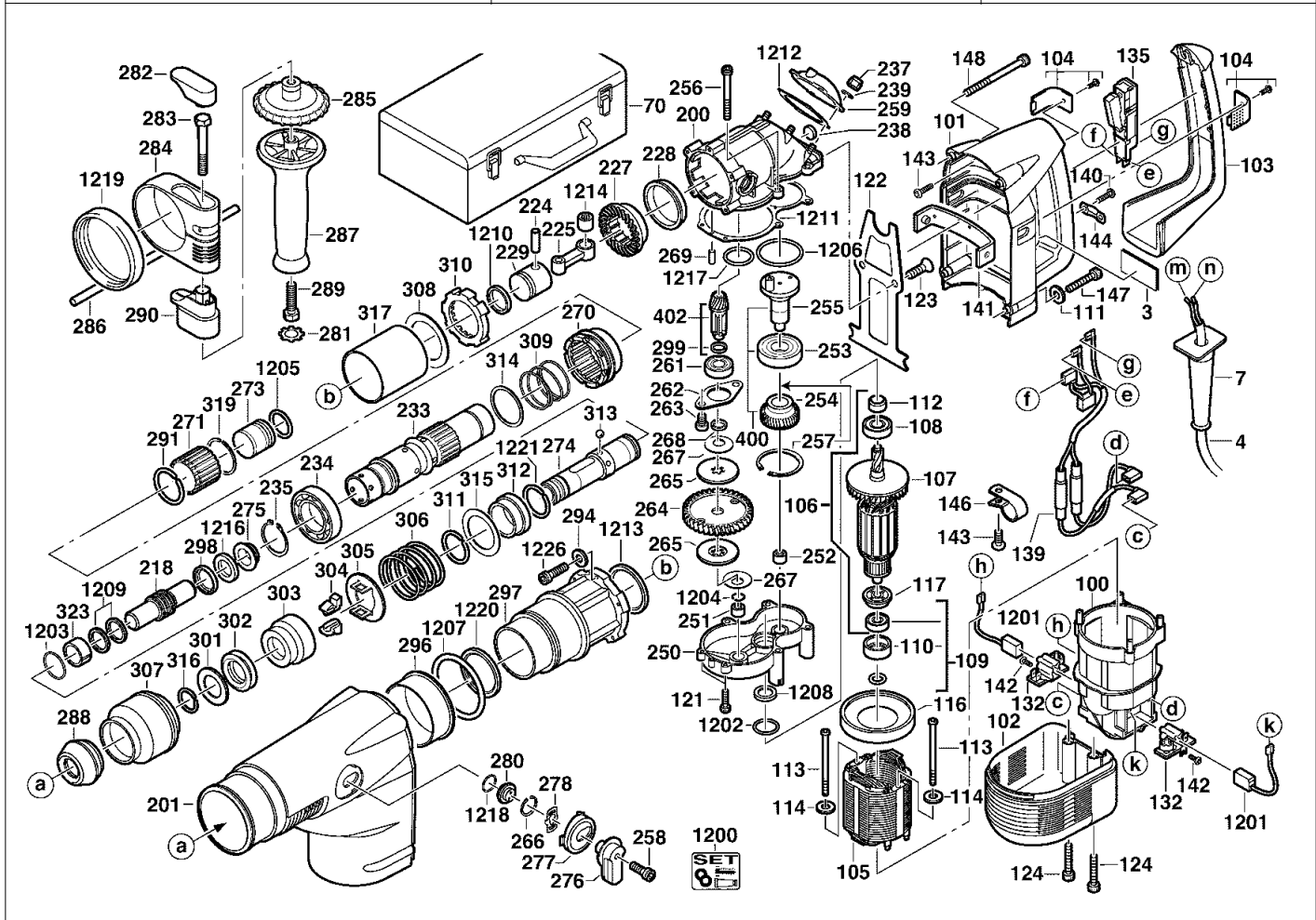
# A & M Electric Tools

# Rotary Hammers

Ind	Product No.	Type	Voltage	Country
a	4000382289	PHE50S MI-RT	220-240V	IN2
b	4000392202	PHE50S MI-RT	110V	GB1

Ind	Product No.	Type	Voltage	Country

Milwaukee		
PHE50S		
Exp.view No.	Version	Date
4926 3822 98	0004	03.06.03
Page 1/4		



Pos	Index	Quanti	Article No.	Designation	Pos	Index	Quanti	Article No.	Designation
0003	a.....	1	4931382305	RATING PLATE	0114	ab.....	2	4931619992	SPRING WASHER
0003	.b.....	1	4931392206	RATING PLATE	0116	ab.....	1	9170314800	AIR DEFLECTOR RING
0004	a.....	1	4931623311	CONNECTION CABLE	0117	ab.....	1	4931259633	SEAL RING
0004	.b.....	1	4931624010	CONNECTION CABLE	0121	ab.....	2	9170324460	SCREW
0007	ab.....	1	9170316440	CABLE ENTRY SLEEVE	0122	ab.....	1	4931384334	DAMPING SPRING
0070	ab.....	1	4932382294	CARRYING CASE	0123	ab.....	2	4931624126	SCREW
0100	ab.....	1	9170315300	MOTOR HOUSING	0124	ab.....	2	4931379094	SCREW
0101	ab.....	1	4931382300	HANDLE	0132	ab.....	2	9170328040	BRUSH HOLDER
0102	ab.....	1	9170315470	MOTOR CAP	0135	a.....	1	9170314810	SWITCH
0103	ab.....	1	9170314840	HANDLE	0135	.b.....	1	9170318550	SWITCH
0104	ab.....	2	9170315480	COVER	0139	ab.....	1	4931384199	CABLE SET
0105	a.....	1	4931365479	ELECTRIC FIELD	0140	ab.....	2	4931618241	SCREW
0105	.b.....	1	4931365481	ELECTRIC FIELD	0141	ab.....	1	9170316430	HANDGRIP HOLDER
0106	a.....	1	4931379319	ARMATURE	0142	ab.....	2	9170279750	SCREW
0106	.b.....	1	4931379320	ARMATURE	0143	ab.....	2	9170279750	SCREW
0107	ab.....	1	9170314770	FAN	0144	ab.....	1	4931256500	CABLE COLLAR
0108	ab.....	1	9170309400	BEARING	0146	ab.....	1	9170331440	CLAMP
0109	ab.....	1	9170315830	BEARING	0147	ab.....	2	4931374064	SCREW
0110	ab.....	1	4931329086	RUBBER SLEEVE	0148	ab.....	2	4931374063	SCREW
0111	ab.....	2	4931374065	DISC	0200	ab.....	1	4931374770	BODY
0112	ab.....	1	9170314860	SEALING SLEEVE	0201	ab.....	1	4931382301	GEAR BOX
0113	ab.....	2	4931339996	SCREW	0218	ab.....	1	9170315570	SNAP DIE

Repairs/modification and testing of electric power tools are to be carried out by specialists. The safety regulations according to DIN/VDE/CEE/AFNOR and other regulations valid in the different countries are to be observed.

# A & M Electric Tools

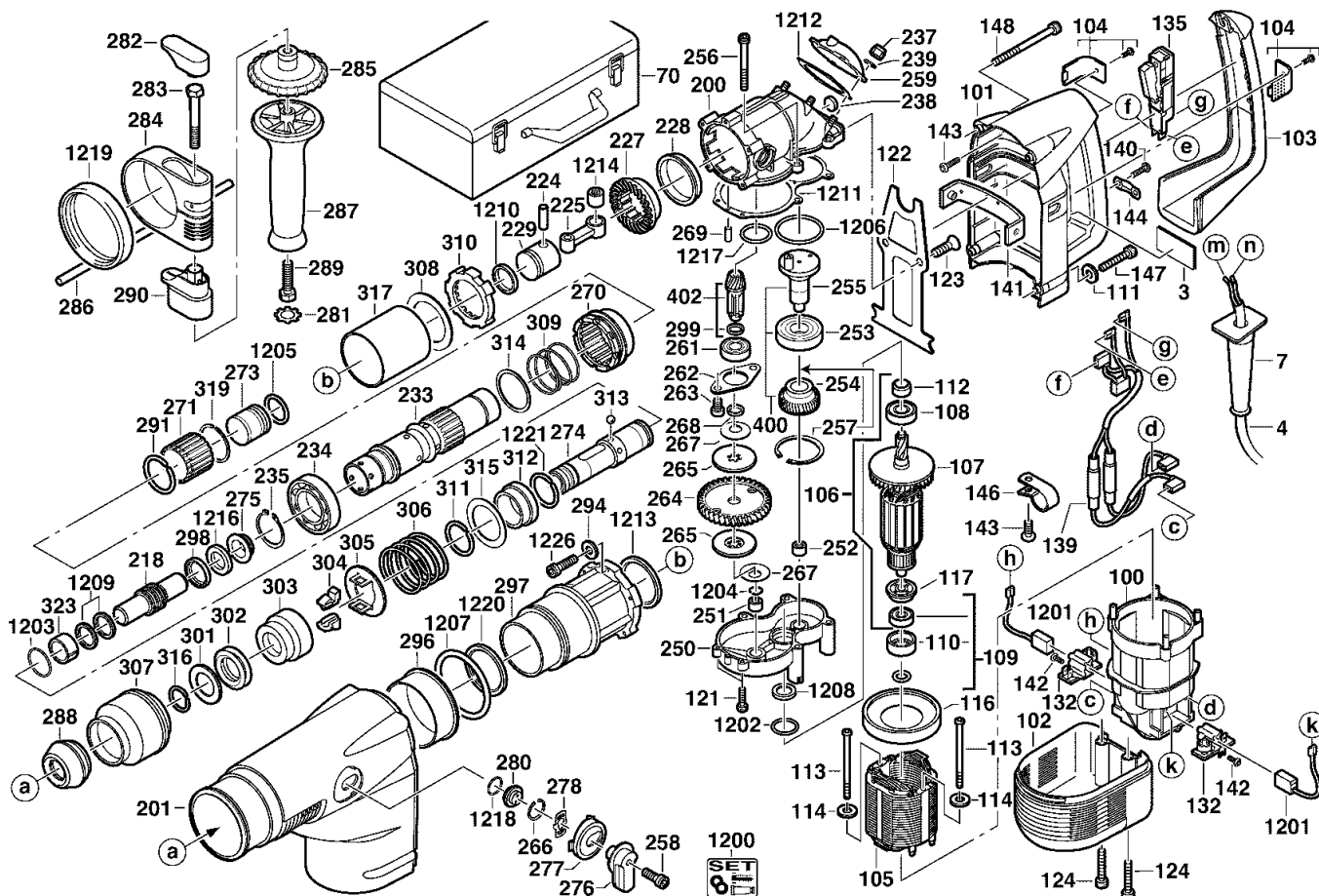
# Rotary Hammers

Milwaukee

**PHE50S**

Exp.view No.      Version    Date      Page  
**4926 3822 98    0004 03.06.03 2/4**

Ind	Product No.	Type	Voltage	Country	Ind	Product No.	Type	Voltage	Country
a	4000382289	PHE50S MI-RT	220-240V	IN2					
b	4000392202	PHE50S MI-RT	110V	GB1					



Pos	Index	Quanti	Article No.	Designation	Pos	Index	Quanti	Article No.	Designation
0224	ab.....	1	9170315410	BOLT	0262	ab.....	1	9170315020	PLATE
0225	ab.....	1	9170315040	CONNECTING ROD	0263	ab.....	2	4931624125	SCREW
0227	ab.....	1	9170315030	BEVEL GEAR	0264	ab.....	1	9170314950	REDUCTION GEAR
0228	ab.....	1	9170315420	BEARING	0265	ab.....	2	9170314960	DISC
0229	ab.....	1	9170315330	PISTON	0266	ab.....	1	9170315930	SPRING RING
0233	ab.....	1	9170315560	SPINDLE SLEEVE	0267	ab.....	2	9170315000	CUP SPRING
0234	ab.....	1	9170315820	BEARING	0268	ab.....	1	9170314990	SLEEVE
0235	ab.....	1	9170315790	SPRING RING	0269	ab.....	2	9170316300	PIN
0237	ab.....	4	4931621424	NUT	0270	ab.....	1	4931384335	INDEXING SLEEVE
0238	ab.....	1	4931374721	FELT WASHER	0271	ab.....	1	9170315600	SLEEVE
0239	ab.....	4	4931615865	SEALING WASHER	0273	ab.....	1	9170315380	PERCUSSION BODY
0250	ab.....	1	9170314890	GEAR BOX COVER	0274	ab.....	1	9170315580	DRILL SPINDLE
0251	ab.....	1	4931943567	NEEDLE BEARING	0275	ab.....	1	9170315390	SLEEVE
0252	ab.....	1	4931928717	NEEDLE BEARING	0276	ab.....	1	9170315940	SWITCH HANDLE
0253	ab.....	1	9170315860	BEARING	0277	ab.....	1	9170316460	COVER LID
0254	ab.....	1	4931379062	WHEEL	0278	ab.....	2	9170315910	SPRING
0255	ab.....	1	9170314930	CRANKSHAFT	0280	ab.....	1	9170315900	ACTUATOR
0256	ab.....	4	9170315520	SCREW	0281	ab.....	1	4931379056	DISC
0257	ab.....	1	9170316130	PROTECTION WASHER	0282	ab.....	1	9170316830	PROTECTIVE CAP
0258	ab.....	1	4931606792	SCREW	0283	ab.....	1	9170316620	SCREW
0259	ab.....	1	4931379174	COVER	0284	ab.....	1	9170316170	CLAMPING RING
0261	ab.....	1	4931912333	BALL BEARING	0285	ab.....	1	9170316250	CLAMPING RING

Repairs/modification and testing of electric power tools are to be carried out by specialists. The safety regulations according to DIN/VDE/CEE/AFNOR and other regulations valid in the different countries are to be observed.

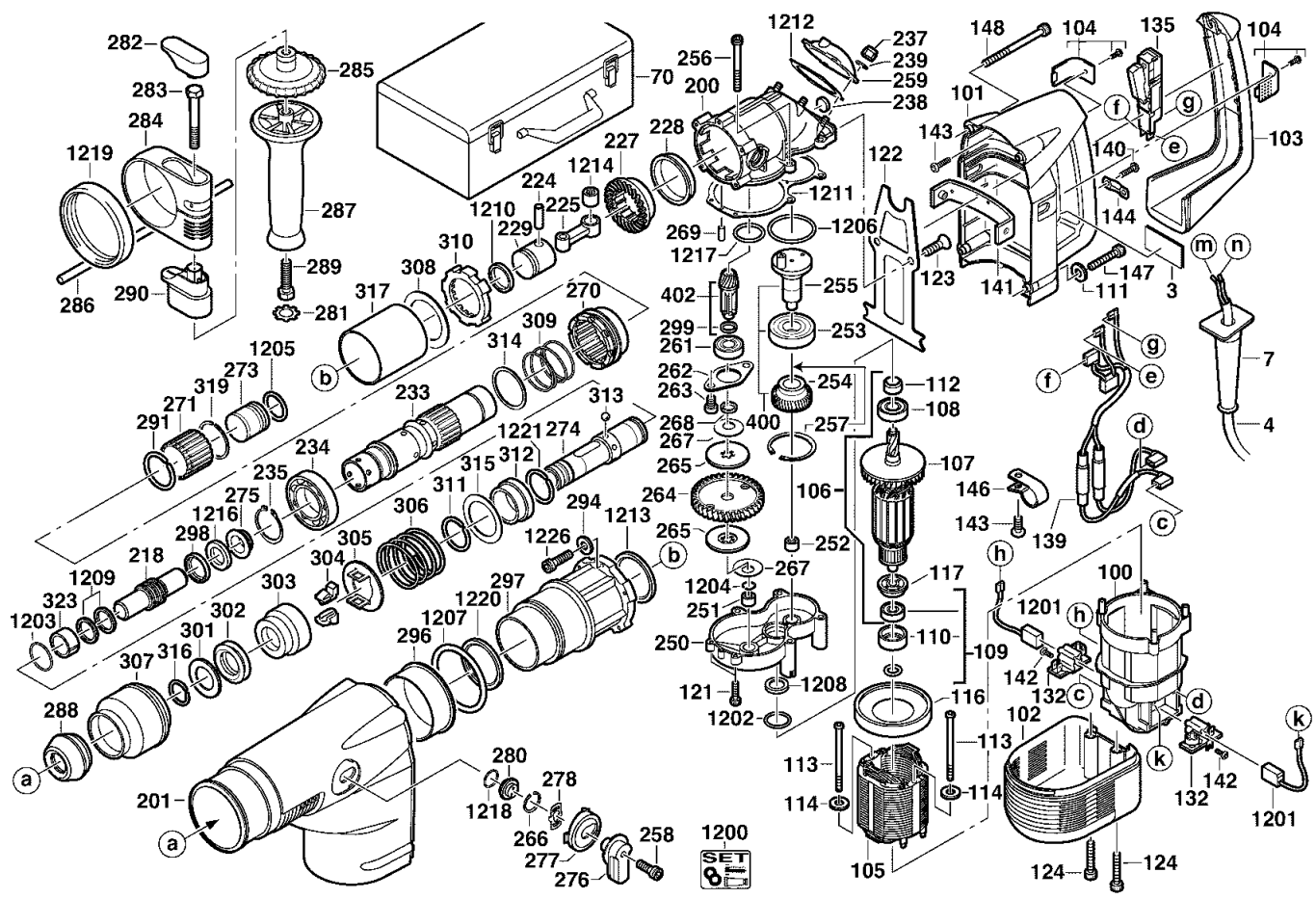
# A & M Electric Tools

# Rotary Hammers

Milwaukee  
**PHE50S**

Exp.view No.      Version      Date      Page  
**4926 3822 98      0004      03.06.03      3/4**

Ind	Product No.	Type	Voltage	Country	Ind	Product No.	Type	Voltage	Country
a	4000382289	PHE50S MI-RT	220-240V	IN2					
b	4000392202	PHE50S MI-RT	110V	GB1					



Pos	Index	Quanti	Article No.	Designation	Pos	Index	Quanti	Article No.	Designation
0286	ab.....	1	9170318660	DEPTH GAUGE	0312	ab.....	1	9170316110	HOLDING RING
0287	ab.....	1	9170316240	HANDLE	0313	ab.....	6	4931805437	BALL
0288	ab.....	1	9170350243	END COVER CAP	0314	ab.....	1	9170315650	WASHER
0289	ab.....	1	9170316630	SCREW	0315	ab.....	1	9170315660	WASHER
0290	ab.....	1	9170316820	HANDLE PIECE	0316	ab.....	1	9170319040	SPRING RING
0291	ab.....	1	9170333840	RING	0317	ab.....	1	9170316640	SLEEVE
0294	ab.....	5	9170333080	WASHER	0319	ab.....	1	9170333820	SPRING RING
0296	ab.....	1	9170315700	BEARING BUSH	0323	ab.....	1	9170316580	SPACER
0297	ab.....	1	4931379176	HOUSING	0400	ab.....	1	4931379150	ECCENTRIC WHEEL
0298	ab.....	1	9170315160	WASHER	0402	ab.....	1	4931379838	REPAIR KIT
0299	ab.....	1	4931379783	PROTECTION WASHER	1200	ab.....	1	9170333540	MAINTENANCE SET
0301	ab.....	1	4931374974	DAMPING ELEMENT	1201	ab.....	1	9170333270	CARBON BRUSH SET
0302	ab.....	1	4931375775	DAMPING RING	1202	ab.....	1	9170301260	O-RING
0303	ab.....	1	4931384854	SLEEVE	1203	ab.....	1	9170316260	O-RING
0304	ab.....	2	9170350257	LATCH	1204	ab.....	1	9170315810	PROTECTION WASHER
0305	ab.....	1	9170350286	LATCH PLATE	1205	ab.....	1	9170327700	O-RING
0306	ab.....	1	9170350273	PRESSURE SPRING	1206	ab.....	1	9170316270	O-RING
0307	ab.....	1	9170316570	SLEEVE	1207	ab.....	1	9170316680	O-RING
0308	ab.....	1	9170316670	WASHER	1208	ab.....	1	9170314900	SEALING WASHER
0309	ab.....	1	9170350262	PRESSURE SPRING	1209	ab.....	2	4931379057	O-RING
0310	ab.....	1	9170315621	SLEEVE	1210	ab.....	1	9170327700	O-RING
0311	ab.....	1	9170333420	PROTECTION WASHER	1211	ab.....	1	4931382857	GASKIT

Repairs/modification and testing of electric power tools are to be carried out by specialists. The safety regulations according to DIN/VDE/CEE/AFNOR and other regulations valid in the different countries are to be observed.

# A & M Electric Tools

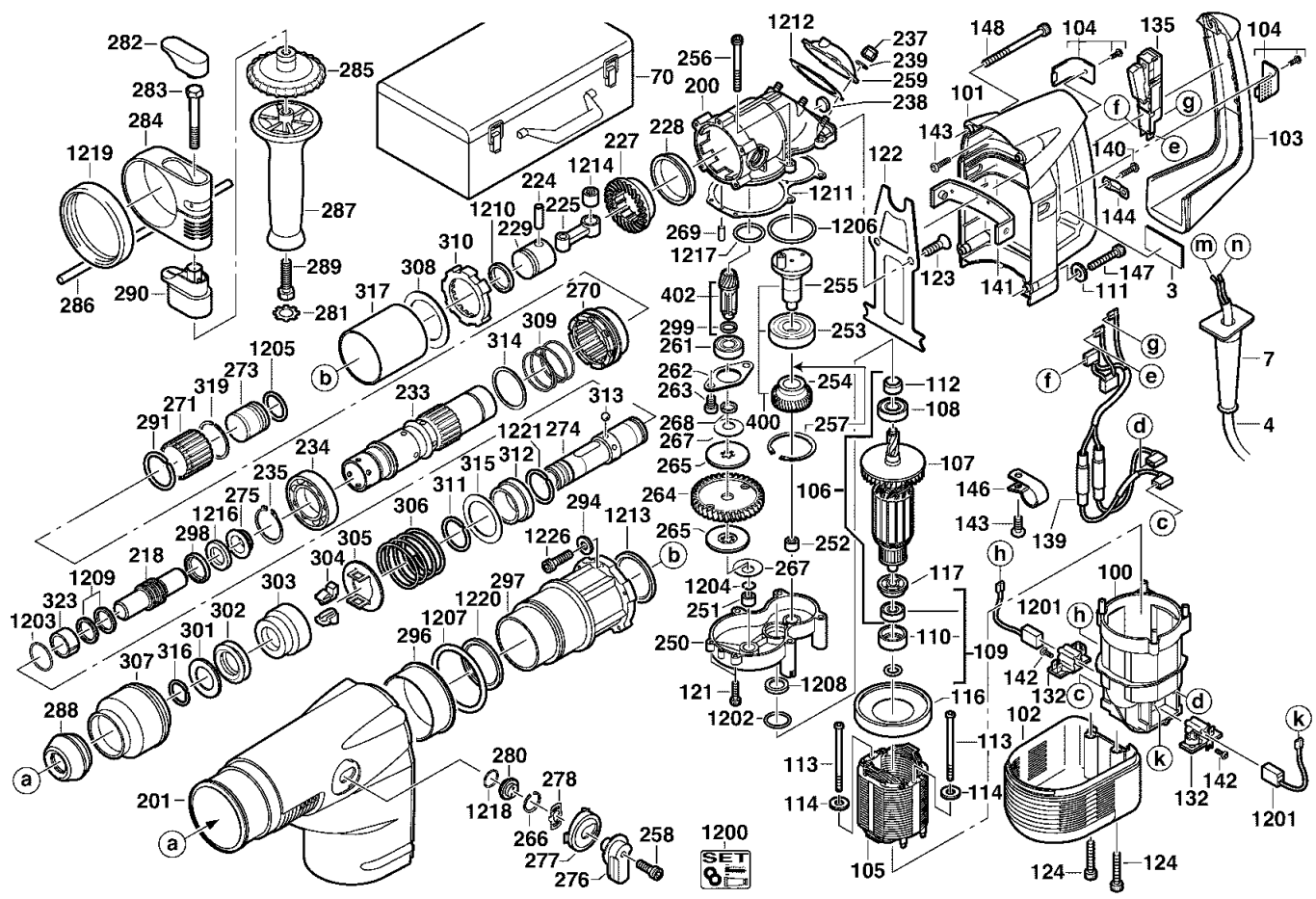
# Rotary Hammers

Milwaukee

**PHE50S**

Exp.view No.      Version    Date      Page  
**4926 3822 98    0004 03.06.03 4/4**

Ind	Product No.	Type	Voltage	Country	Ind	Product No.	Type	Voltage	Country
a	4000382289	PHE50S	MI-RT	220-240V	IN2				
b	4000392202	PHE50S	MI-RT	110V	GB1				



Pos	Index	Quanti	Article No.	Designation
	1212 ab.....	1	9170315270	GASKET
	1213 ab.....	1	9170315970	GASKET
	1214 ab.....	1	9170315760	BEARING
	1216 ab.....	1	9170315150	RUBBER RING
	1217 ab.....	1	9170327710	O-RING
	1218 ab.....	1	9170316590	O-RING
	1219 ab.....	1	9170316600	SEAL RING
	1220 ab.....	1	9170327490	SEAL RING
	1221 ab.....	1	9170333410	O-RING
	1226 ab.....	5	4931624124	SCREW

Pos	Index	Quanti	Article No.	Designation

Repairs/modification and testing of electric power tools are to be carried out by specialists. The safety regulations according to DIN/VDE/CEE/AFNOR and other regulations valid in the different countries are to be observed.