

# A & M Electric Tools

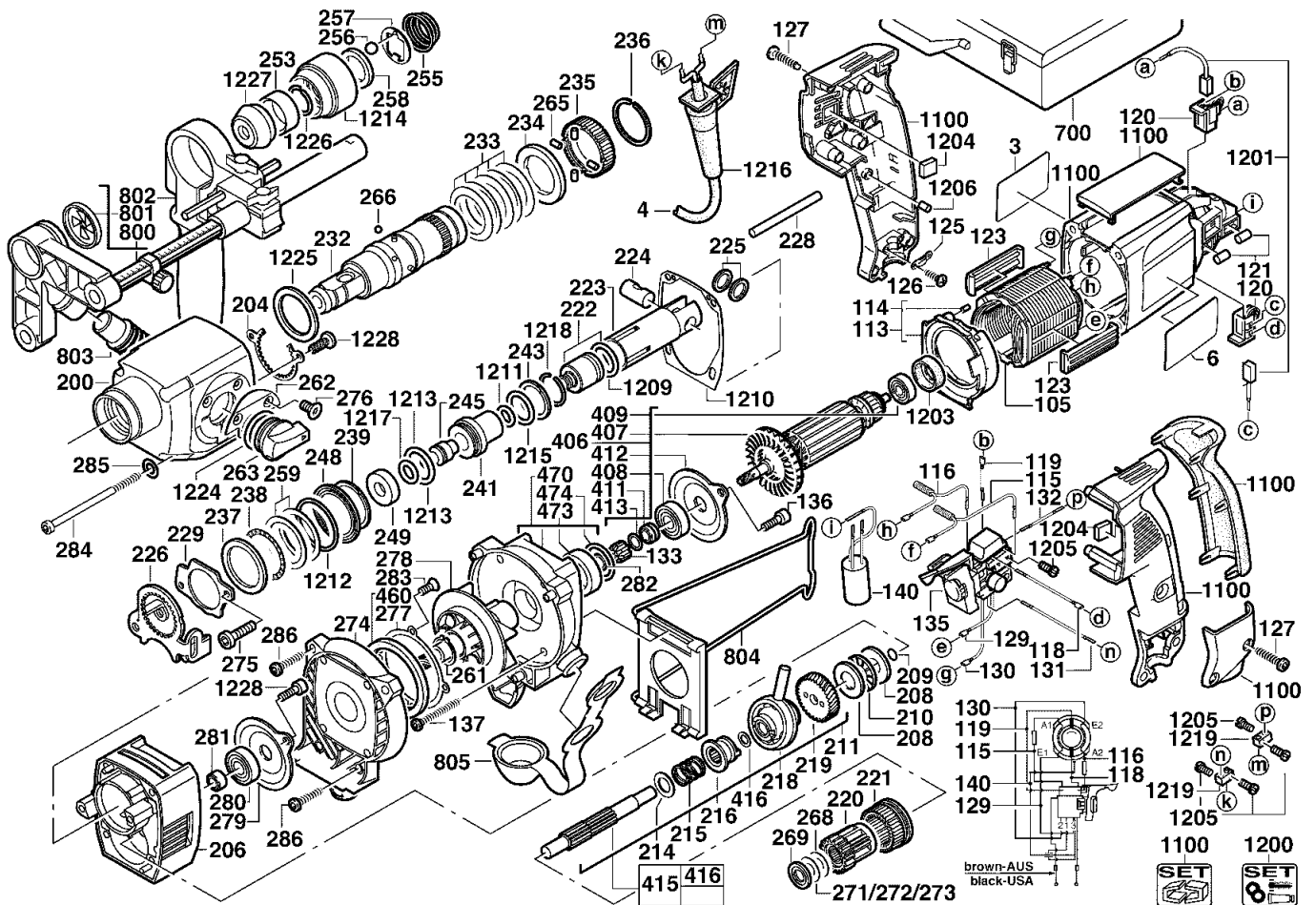
# Rotary Hammers

Ind Product No. Type Voltage Country  
a 4000392125 PPH26RA 220-240V IN2

Ind Product No. Type Voltage Country

Milwaukee  
**PPH 26 RA**

Exp.view No. Version Date Page  
4926 3921 26 0004 22.03.05 1/3



Pos	Index	Quanti	Article No.	Designation	Pos	Index	Quanti	Article No.	Designation
0003	a.....	1	4931392128	RATING PLATE	0136	a.....	2	4931344513	SCREW
0004	a.....	1	4931623392	CONNECTION CABLE	0137	a.....	4	4931344643	SCREW
0006	a.....	1	4931378806	TYPE PLATE	0140	a.....	1	4931276760	CAPACITOR
0105	a.....	1	4931342802	ELECTRIC FIELD	0200	a.....	1	4931382394	GEAR BOX
0113	a.....	1	4931342794	AIR DEFLECTOR RING	0204	a.....	1	4931331685	WASHER
0114	a.....	4	4931332524	HOLDING-DOWN DEVIC	0206	a.....	1	4931382381	BEARING END PLATE
0115	a.....	1	4931623121	CHOKING COIL	0208	a.....	2	4931622575	AXIAL BEAR.WASHER
0116	a.....	1	4931623122	CHOKING COIL	0209	a.....	1	4931941082	O-RING
0118	a.....	1	4931623125	WIRE	0210	a.....	1	4931622567	AXIAL NEEDLE RING
0119	a.....	1	4931623126	WIRE	0211	a.....	1	4931379284	REDUCT. GEAR SHAFT
0120	a.....	2	4931382268	BRUSH HOLDER	0214	a.....	1	4931621983	DISC
0121	a.....	4	4931623123	ROLL	0215	a.....	1	4931379589	PRESSURE SPRING
0123	a.....	2	4931342808	CENTERING LEDGE	0216	a.....	1	4931379649	COUPLING SLEEVE
0125	a.....	1	4931256500	CABLE COLLAR	0218	a.....	1	4931379116	WOBBLE DRIVE
0126	a.....	2	4931624538	SCREW	0219	a.....	1	4931387316	REDUCT GEAR WHEEL
0127	a.....	6	4931618253	SCREW	0220	a.....	1	4931384917	PLANET GEAR
0129	a.....	1	4931623127	WIRE	0221	a.....	1	4931331769	INTERN.GEARED WHE
0130	a.....	1	4931623196	WIRE	0222	a.....	1	4931382168	PERCUSSION BODY
0131	a.....	1	4931622948	WIRE	0223	a.....	1	4931379587	CYLINDER
0132	a.....	1	4931623136	WIRE	0224	a.....	1	4931331623	CYLINDRICAL BOLT
0133	a.....	1	4931339947	DRIVER	0225	a.....	2	4931400589	WASHER
0135	a.....	1	4931382393	SWITCH BOARD	0226	a.....	1	4931331752	SLIDER

Repairs/modification and testing of electric power tools are to be carried out by specialists. The safety regulations according to DIN/VDE/CEE/AFNOR and other regulations valid in the different countries are to be observed.



# A & M Electric Tools

# Rotary Hammers

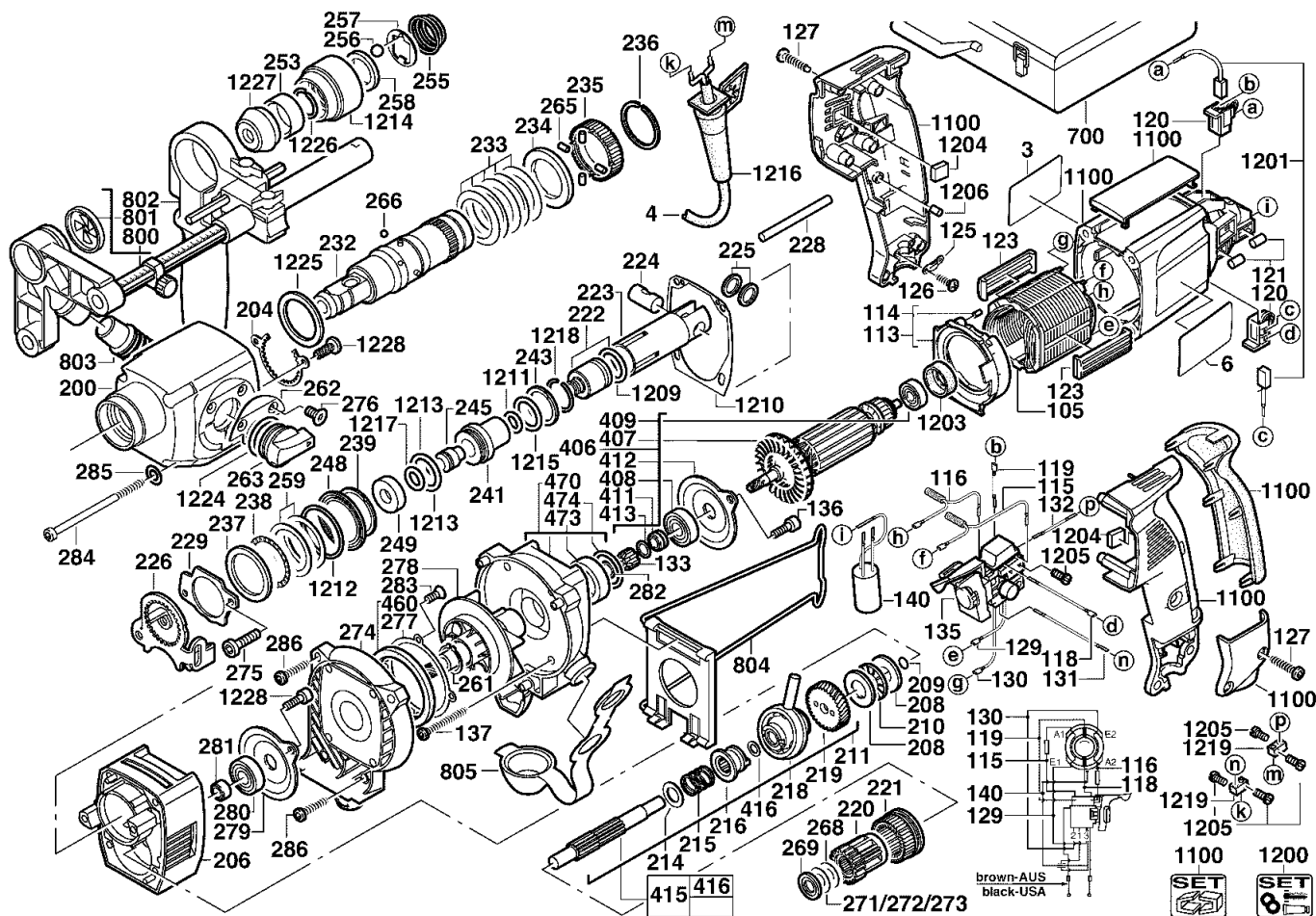
Milwaukee

**PPH 26 RA**

Exp.view No.      Version    Date      Page  
**4926 3921 26    0004    22.03.05    3/3**

Ind	Product No.	Type	Voltage	Country
a	4000392125	PPH26RA	220-240V	IN2

Ind	Product No.	Type	Voltage	Country



Pos	Index	Quanti	Article No.	Designation
0406	a.....	1	4931344580	ARMATURE
0407	a.....	1	4931342793	FAN
0408	a.....	1	4931623188	BALL BEARING
0409	a.....	1	4931624405	BALL BEARING
0411	a.....	1	4931344644	SEALING SLEEVE
0412	a.....	1	4931267585	BEARING COVER
0413	a.....	1	4931941117	O-RING
0415	a.....	1	4931384864	REDUCT. GEAR SHAFT
0416	a.....	1	4931624264	DISC
0460	a.....	1	4931343867	FELT
0470	a.....	1	4931343953	HOUSING
0473	a.....	1	4931339949	BEARING SLEEVE
0474	a.....	1	4931623124	O-RING
0700	a.....	1	4932344502	CARRYING CASE
0800	a.....	1	4931344758	SUCTION DEVICE
0801	a.....	1	4931347252	RUBBER SLEEVE
0802	a.....	1	4931344759	HOLDING GRIP
0803	a.....	1	4931344760	SUCTION HOSE
0804	a.....	1	4931344998	ACCEPTANCE
0805	a.....	1	4931344518	COVER CAP
1100	a.....	1	4931380477	BODY
1200	a.....	1	4931382195	MAINTENANCE SET

Pos	Index	Quanti	Article No.	Designation
1201	a.....	1	4931392596	CARBON BRUSH SET
1203	a.....	1	4931301483	RUBBER SLEEVE
1204	a.....	2	4931342803	DAMPING ELEMENT
1205	a.....	6	4931621772	SCREW
1206	a.....	1	4931271824	HOLDING-DOWN DEVIC
1209	a.....	1	4931379705	SEAL RING
1210	a.....	1	4931331735	GASKET
1211	a.....	1	4931623468	RADIAL SEAL RING
1212	a.....	1	4931623135	O-RING
1213	a.....	1	4931623221	RADIAL SEAL RING
1214	a.....	1	4931343965	SLEEVE
1215	a.....	1	4931623616	SEAL RING
1216	a.....	1	4931332161	CABLE ENTRY SLEEVE
1217	a.....	1	4931624493	SEAL RING
1218	a.....	1	4931623636	RING
1219	a.....	2	4931307924	CONNECTOR
1224	a.....	1	4931623293	O-RING
1225	a.....	1	4931379585	FELT WASHER
1226	a.....	1	4931623220	SPRING RING
1227	a.....	1	4931343123	CAP
1228	a.....	4	4931379708	SCREW

Repairs/modification and testing of electric power tools are to be carried out by specialists. The safety regulations according to DIN/VDE/CEE/AFNOR and other regulations valid in the different countries are to be observed.