

A & M Electric Tools

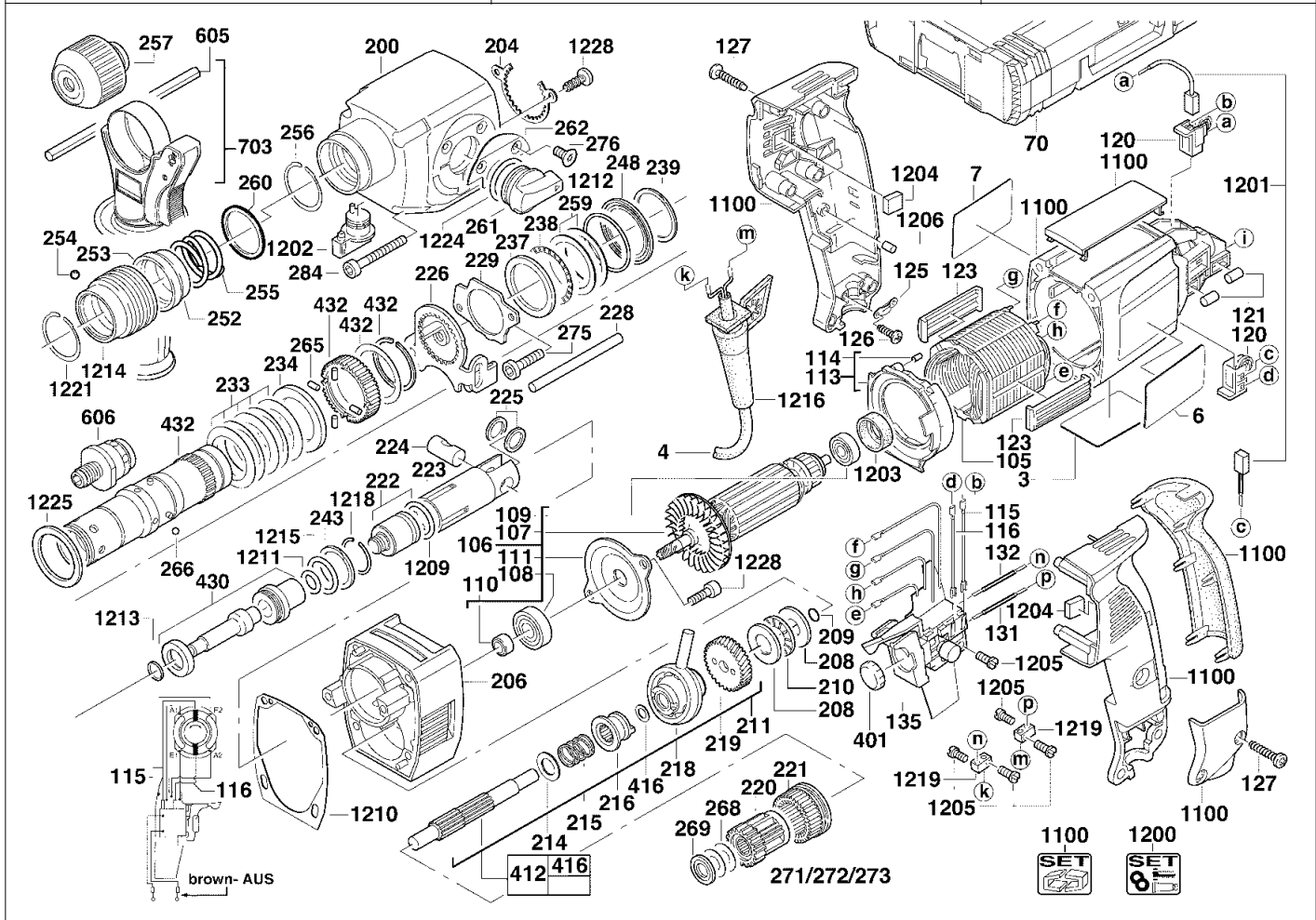
Ind	Product No.	Type	Voltage	Country
a	4000382401	PPH30X2E	220-240V	IN2
b	4000384093	PPH30X2E	110V	GB1
c	4000384479	PPH30X2E	240V	GB2

Rotary Hammers

Milwaukee

PPH 30 X2E

Exp.view No. Version Date Page
4926 3824 03 0009 25.08.04 1/3



Pos	Index	Quanti	Article No.	Designation	Pos	Index	Quanti	Article No.	Designation
0003	a.....	1	4931382407	RATING PLATE	0116	a.c.....	1	4931623355	WIRE
0003	.b.....	1	4931384096	RATING PLATE	0116	.b.....	1	4931623355	WIRE
0003	.c.....	1	4931384481	RATING PLATE	0120	abc.....	2	4931382268	BRUSH HOLDER
0004	a.....	1	4931623392	CONNECTION CABLE	0121	abc.....	4	4931623123	ROLL
0004	.b.....	1	4931624010	CONNECTION CABLE	0123	abc.....	2	4931342808	CENTERING LEDGE
0004	.c.....	1	4931623863	CONNECTION CABLE	0125	abc.....	1	4931256500	CABLE COLLAR
0006	abc.....	1	4931378806	TYPE PLATE	0126	abc.....	2	4931624538	SCREW
0007	abc.....	1	4931382410	DRILLING TABLE	0127	abc.....	6	4931618253	SCREW
0070	abc.....	1	4932378986	CARRYING CASE	0131	a.c.....	1	4931622948	WIRE
0105	a.c.....	1	4931344065	ELECTRIC FIELD	0131	.b.....	1	4931623466	WIRE
0105	.b.....	1	4931343664	ELECTRIC FIELD	0132	a.c.....	1	4931623136	WIRE
0106	a.c.....	1	4931379691	ARMATURE	0132	.b.....	1	4931623467	WIRE
0106	.b.....	1	4931382208	ARMATURE	0135	a.c.....	1	4931382842	SPEED GOVERNOR
0107	abc.....	1	4931342793	FAN	0135	.b.....	1	4931384098	SPEED GOVERNOR
0108	abc.....	1	4931623188	BALL BEARING	0200	abc.....	1	4931382379	GEAR BOX
0109	abc.....	1	4931901253	BALL BEARING	0204	abc.....	1	4931331685	WASHER
0110	abc.....	1	4931382148	SEALING SLEEVE	0206	abc.....	1	4931382381	BEARING END PLATE
0111	abc.....	1	4931267585	BEARING COVER	0208	abc.....	2	4931622575	AXIAL BEAR.WASHER
0113	abc.....	1	4931342794	AIR DEFLECTOR RING	0209	abc.....	1	4931941082	O-RING
0114	abc.....	4	4931332524	HOLDING-DOWN DEVIC	0210	abc.....	1	4931622567	AXIAL NEEDLE RING
0115	a.c.....	1	4931623349	WIRE	0211	abc.....	1	4931379686	REDUCT. GEAR SHAFT
0115	.b.....	1	4931623354	WIRE	0214	abc.....	1	4931621983	DISC

Repairs/modification and testing of electric power tools are to be carried out by specialists. The safety regulations according to DIN/VDE/CEE/AFNOR and other regulations valid in the different countries are to be observed.

A & M Electric Tools

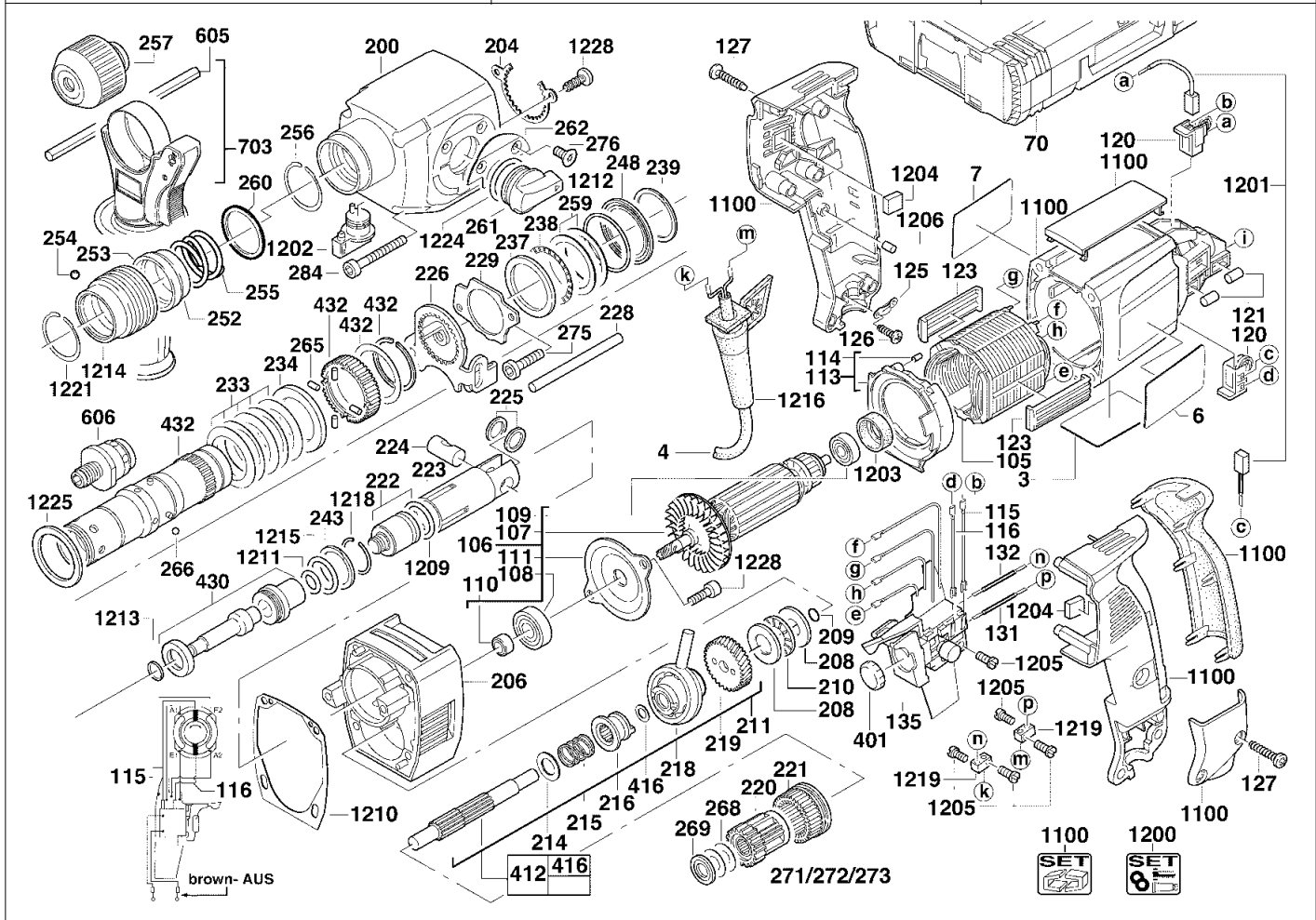
Ind	Product No.	Type	Voltage	Country
a	4000382401	PPH30X2E	220-240V	IN2
b	4000384093	PPH30X2E	110V	GB1
c	4000384479	PPH30X2E	240V	GB2

Rotary Hammers

Milwaukee

PPH 30 X2E

Exp.view No. Version Date Page
4926 3824 03 0009 25.08.04 2/3



Pos	Index	Quanti	Article No.	Designation	Pos	Index	Quanti	Article No.	Designation
0215	abc	1	4931379589	PRESSURE SPRING	0254	abc	6	4931805437	BALL
0216	abc	1	4931379653	COUPLING SLEEVE	0255	abc	1	4931331754	PRESSURE SPRING
0218	abc	1	4931379116	WOBBLE DRIVE	0256	abc	1	4931945764	SPRING RING
0219	abc	1	4931379170	REDUCT GEAR WHEEL	0257	abc	1	4931379739	ADAPTER
0220	abc	1	4931384918	PLANET GEAR	0259	abc	2	4931623200	WASHER
0221	abc	1	4931331684	INTERN.GEARED WHE	0260	abc	1	4931623234	WASHER
0222	abc	1	4931382168	PERCUSSION BODY	0261	abc	1	4931392507	SWITCH HANDLE
0223	abc	1	4931379587	CYLINDER	0262	abc	1	4931379108	LATCH PLATE
0224	abc	1	4931331623	CYLINDRICAL BOLT	0265	abc	4	4931624045	CYLINDER PULLEY
0225	abc	2	4931400589	WASHER	0266	abc	4	4931805390	BALL
0226	abc	1	4931331724	SLIDER	0268	abc	1	4931624096	DISC
0228	abc	1	4931623081	PIN	0269	abc	1	4931379420	SPACER
0229	abc	1	4931331787	LATCH PLATE	0271	abc	1	4931624098	DISC
0233	abc	5	4931379071	CUP SPRING	0272	abc	1	4931624097	DISC
0234	abc	1	4931379110	CLUTCH DISC	0273	abc	1	4931624096	DISC
0237	abc	1	4931623199	WASHER	0275	abc	2	4931623260	SCREW
0238	abc	1	4931331713	THRUST BEARING	0276	abc	2	4931379109	SCREW
0239	abc	1	4931343187	LOCKING WASHER	0284	abc	4	4931331734	SCREW
0243	abc	1	4931387338	THRUST COLLAR	0401	abc	1	4931356599	SET WHEEL
0248	abc	1	4931343049	WASHER	0412	abc	1	4931384864	REDUCT. GEAR SHAFT
0252	abc	1	4931382921	SLEEVE	0416	abc	1	4931624264	DISC
0253	abc	1	4931379875	SLEEVE	0430	abc	1	4931379881	REPAIR KIT

Repairs/modification and testing of electric power tools are to be carried out by specialists. The safety regulations according to DIN/VDE/CEE/AFNOR and other regulations valid in the different countries are to be observed.

A & M Electric Tools

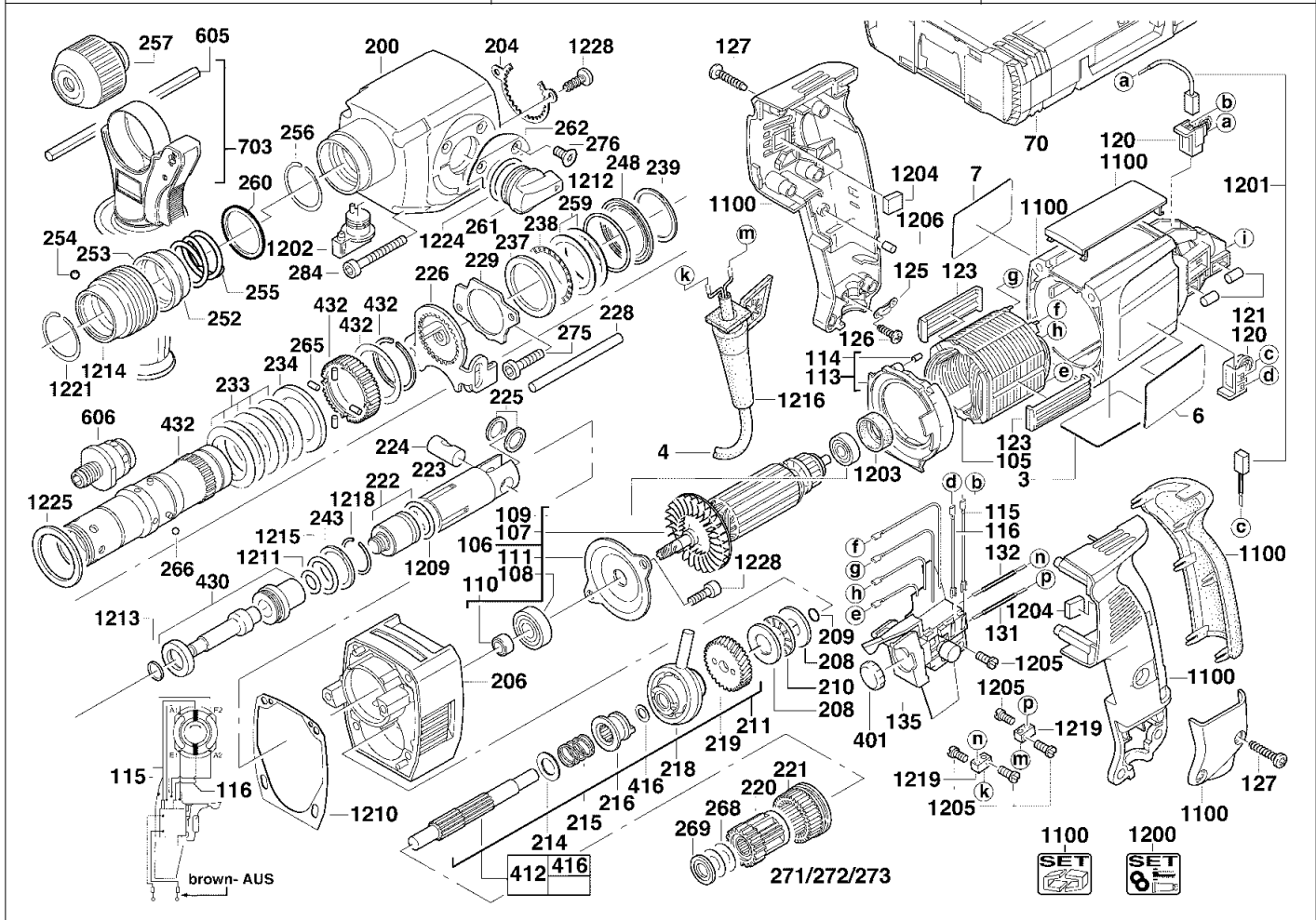
Ind	Product No.	Type	Voltage	Country
a	4000382401	PPH30X2E	220-240V	IN2
b	4000384093	PPH30X2E	110V	GB1
c	4000384479	PPH30X2E	240V	GB2

Rotary Hammers

Milwaukee

PPH 30 X2E

Exp.view No. Version Date Page
4926 3824 03 0009 25.08.04 3/3



Pos	Index	Quanti	Article No.	Designation
0432	abc.....	1	4931384927	REPAIR KIT
0605	abc.....	1	4931384434	DEPTH GAUGE
0606	abc.....	1	4931382287	CHUCK ADAPTER
0703	abc.....	1	4932373725	HANDLE
1100	abc.....	1	4931380477	BODY
1200	a.c.....	1	4931379786	MAINTENANCE SET
1200	.b.....	1	4931382209	MAINTENANCE SET
1201	a.c.....	1	4931369477	CARBON BRUSH SET
1201	.b.....	1	4931392599	CARBON BRUSH SET
1202	abc.....	1	4931392508	SWITCH HANDLE
1203	abc.....	1	4931254368	RUBBER SLEEVE
1204	abc.....	2	4931342803	DAMPING ELEMENT
1205	abc.....	6	4931621772	SCREW
1206	abc.....	1	4931271824	HOLDING-DOWN DEVIC
1209	abc.....	1	4931379705	SEAL RING
1210	abc.....	1	4931331735	GASKET
1211	abc.....	1	4931623468	RADIAL SEAL RING
1212	abc.....	1	4931623135	O-RING
1213	abc.....	1	4931623232	SEAL RING
1214	abc.....	1	4931379022	SLEEVE
1215	abc.....	1	4931623616	SEAL RING
1216	abc.....	1	4931332161	CABLE ENTRY SLEEVE

Pos	Index	Quanti	Article No.	Designation
1218	abc.....	1	4931623636	RING
1219	abc.....	2	4931307924	CONNECTOR
1221	abc.....	1	4931945764	SPRING RING
1224	abc.....	1	4931623293	O-RING
1225	abc.....	1	4931379585	FELT WASHER
1228	abc.....	4	4931379708	SCREW

Repairs/modification and testing of electric power tools are to be carried out by specialists. The safety regulations according to DIN/VDE/CEE/AFNOR and other regulations valid in the different countries are to be observed.