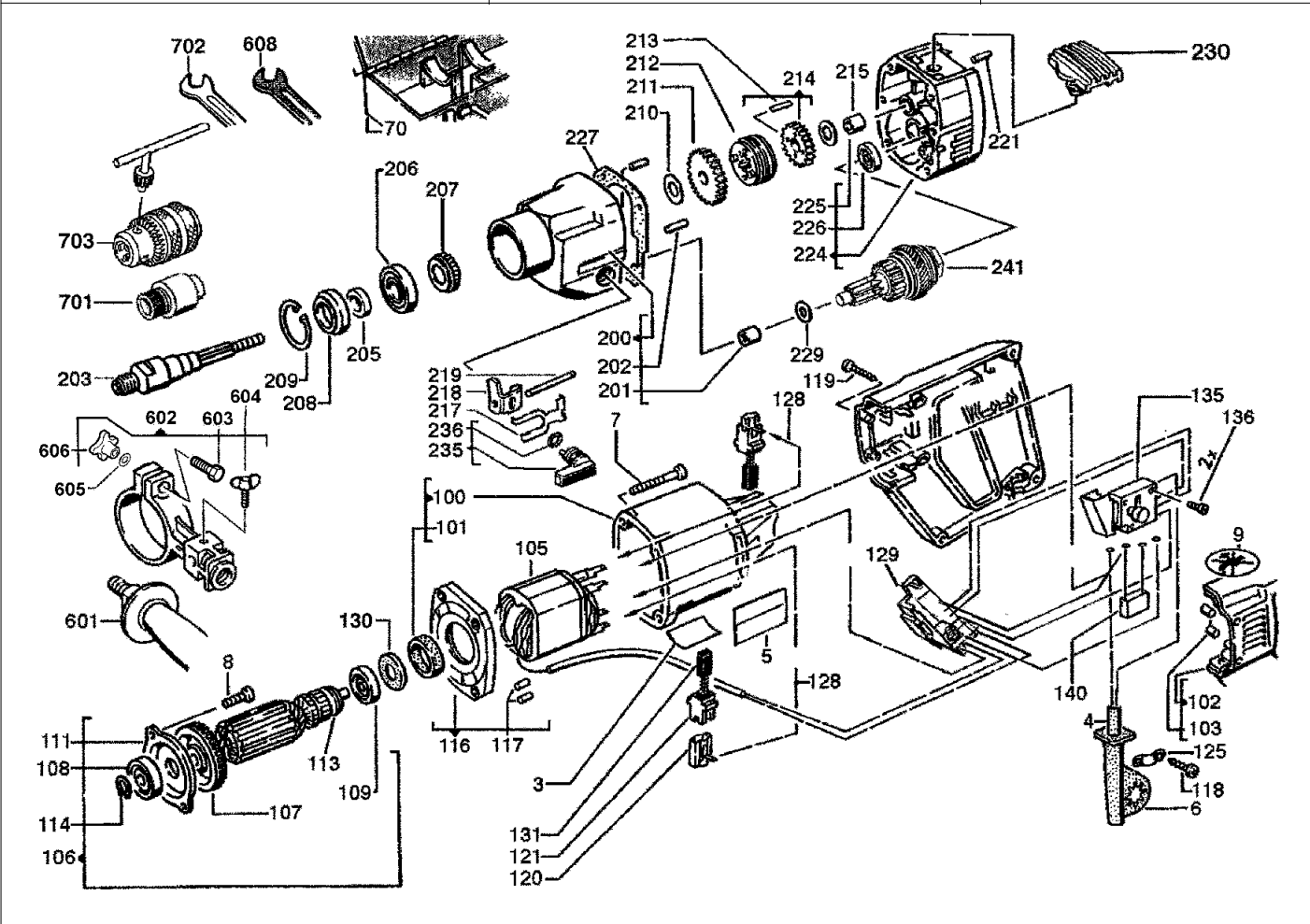


A & M Electric Tools

Ind Product No.	Type	Voltage	Country
a 4000383801	D2E160	220-240V	IN2

Drills

Ind Product No.	Type	Voltage	Country
	Milwaukee		
	D2E 160		
Exp.view No.	Version	Date	Page
4926 3838 04	0003	04.05.04	1/2



Pos	Index	Quanti	Article No.	Designation	Pos	Index	Quanti	Article No.	Designation
0003	a	1	4931383808	RATING PLATE	0118	a	2	4931624538	SCREW
0004	a	1	4931623286	CONNECTION CABLE	0119	a	7	4931618253	SCREW
0005	a	2	4931380498	NAME PLATE	0120	a	2	4931317546	BRUSH HOLDER
0006	a	1	4931310319	CABLE ENTRY SLEEVE	0121	a	2	4931317544	BRUSH HOLDER INSUL
0007	a	4	4931614685	SCREW	0125	a	1	4931256500	CABLE COLLAR
0008	a	2	4931612817	SCREW	0128	a	2	4931622342	CONNECTION CABLE
0009	a	1	4931321699	LABEL	0129	a	1	4931385941	MODIFICATION SET
0070	a	1	4932383802	CARRYING CASE	0130	a	1	4931300215	FELT WASHER
0100	a	1	4931359587	HOUSING	0131	a	1	4931392581	CARBON BRUSH SET
0101	a	1	4931301483	RUBBER SLEEVE	0135	a	1	4931385941	MODIFICATION SET
0102	a	1	4931359589	HANDLE	0136	a	2	4931621734	SCREW
0103	a	2	4931244948	HOLDING-DOWN DEVIC	0140	a	1	4931311062	CAPACITOR
0105	a	1	4931328485	ELECTRIC FIELD	0200	a	1	4931380495	GEAR BOX
0106	a	1	4931369666	ARMATURE	0201	a	1	4931219424	NEEDLE BEARING
0107	a	1	4931271335	FAN	0202	a	2	4931615663	PIN
0108	a	1	4931368037	GROOVED BALL BEAR.	0203	a	1	4931307984	DRILL SPINDLE
0109	a	1	4931901253	BALL BEARING	0205	a	1	4931267415	SLEEVE
0111	a	1	4931267463	BEARING COVER	0206	a	1	4931891058	BALL BEARING
0113	a	1	4931271823	INSULATING DISC	0207	a	1	4931267571	PERCUSSION SLEEVE
0114	a	1	4931605127	RING	0208	a	1	4931267522	SEAL RING
0116	a	1	4931337361	AIR DEFLECTOR RING	0209	a	1	4931890311	LOCKING RING
0117	a	2	4931244948	HOLDING-DOWN DEVIC	0210	a	1	4931943605	DISC

Repairs/modification and testing of electric power tools are to be carried out by specialists. The safety regulations according to DIN/VDE/CEE/AFNOR and other regulations valid in the different countries are to be observed.

A & M Electric Tools

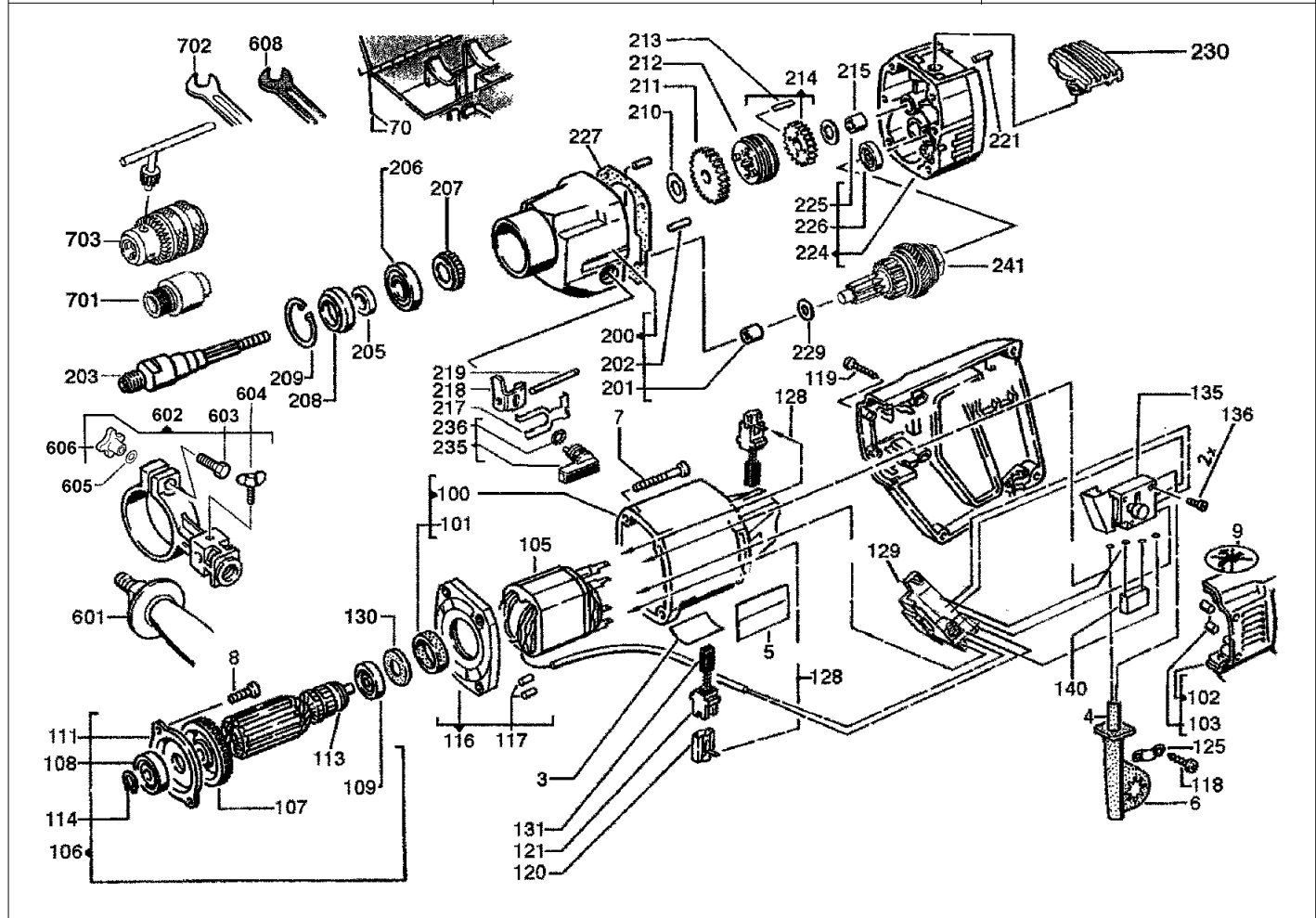
Drills

Milwaukee
D2E 160

Exp.view No. Version Date Page
4926 3838 04 0003 04.05.04 2/2

Ind Product No.	Type	Voltage	Country
a 4000383801	D2E160	220-240V	IN2

Ind Product No.	Type	Voltage	Country



Pos	Index	Quanti	Article No.	Designation	Pos	Index	Quanti	Article No.	Designation
0211	a.....	1	4931369651	DRILL SPINDLE WHEEL	0605	a.....	1	4931615511	SEALING WASHER
0212	a.....	1	4931307130	JUMPER RING	0606	a.....	1	4931622441	STAR HANDLE
0213	a.....	2	4931621732	PIN	0608	a.....	1	4931236557	KEY
0214	a.....	1	4931369652	DRILL SPINDLE WHEEL	0701	a.....	1	4932399174	FIXTEC ADAPTER
0215	a.....	1	4931901226	DISC	0702	a.....	1	4932345710	OPEN-ENDED SPANNE
0217	a.....	1	4931307118	RETAINING SPRING	0703	a.....	1	4932218832	CHUCK
0218	a.....	1	4931309010	SWITCH LEVER					
0219	a.....	1	4931621731	PIN					
0221	a.....	1	4931621650	PIN					
0224	a.....	1	4931383813	BEARING END PLATE					
0225	a.....	1	4931912093	SLEEVE					
0226	a.....	1	4931319402	BALL BEARING					
0227	a.....	1	4931307995	GASKET					
0229	a.....	1	4931919962	DISC					
0230	a.....	1	4931309131	COVER					
0235	a.....	1	4931310479	SWITCH LEVER					
0236	a.....	1	4931621782	O-RING					
0241	a.....	1	4931369653	REDUCTION GEAR					
0601	a.....	1	4931369739	HANDLE COMPL.					
0602	a.....	1	4931380502	CLAMPING RING					
0603	a.....	1	4931618482	SCREW					
0604	a.....	1	4931615927	SCREW					

Repairs/modification and testing of electric power tools are to be carried out by specialists. The safety regulations according to DIN/VDE/CEE/AFNOR and other regulations valid in the different countries are to be observed.