

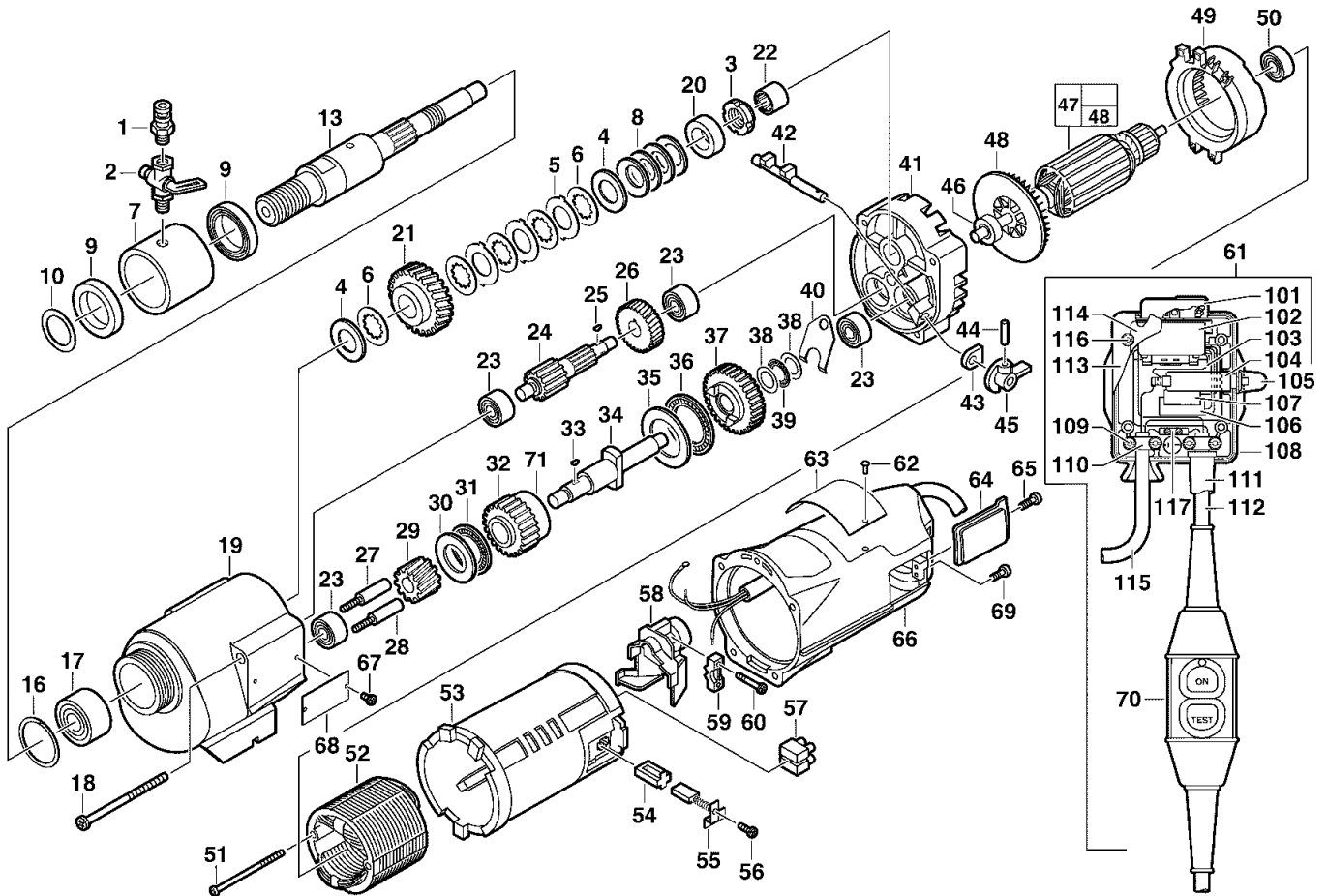
# A & M Electric Tools

Ind	Product No.	Type	Voltage	Country
a	4000384544	DCM2-180C	220-240V	IN2
b	4000384546	DCM2-250C	220-240V	IN2

# Drills

**Milwaukee**  
**DCM2-250C**  
**DCM2-180C**

Exp.view No.      Version    Date      Page  
**4926 3845 45    0002    21.11.02    1/2**



Pos	Index	Quanti	Article No.	Designation	Pos	Index	Quanti	Article No.	Designation
0001	ab.....	1	42900210	FITTING	0026	ab.....	1	32401581	GEAR
0002	ab.....	1	45800060	VALVE	0027	ab.....	2	40506300	PRESSURE SPRING
0003	ab.....	1	06571050	NUT	0028	ab.....	2	44700100	PLUNGER
0004	ab.....	2	45881140	WASHER	0029 a.....	1	32602011	GEAR BOX	
0005	ab.....	3	43060160	DISC	0029 .b.....	1	32601041	GEAR BOX	
0006	ab.....	5	43060150	DISC	0030	ab.....	1	45880520	WASHER
0007	ab.....	1	43760051	HOUSING	0031	ab.....	1	02801800	THRUST BEARING
0008	ab.....	4	40502150	PRESSURE SPRING	0032	ab.....	1	32100060	GEAR
0009	ab.....	2	45060635	SEAL RING	0033	ab.....	1	06422000	KEY
0010	ab.....	1	45888565	WASHER	0034	ab.....	1	36140061	SHAFT
0013	ab.....	1	38506020	SPINDLE	0035	ab.....	1	45880530	WASHER
0016	ab.....	1	34803800	RING	0036	ab.....	1	02805000	THRUST BEARING
0017	ab.....	1	02202515	BALL BEARING	0037	ab.....	1	32100051	GEAR BOX
0018	ab.....	4	06829202	SCREW	0038	ab.....	2	45880510	WASHER
0019	ab.....	1	28141870	BODY	0039	ab.....	1	02801200	THRUST BEARING
0020	ab.....	1	45361520	SPACER	0040	ab.....	1	45980090	YOKE
0021 a.....	1	32753440	SPINDLE GEAR	0041	ab.....	1	14130210	BEARING END PLATE	
0021 .b.....	1	32753420	SPINDLE GEAR	0042	ab.....	1	30150272	SLIDING SWITCH	
0022	ab.....	1	02504830	NEEDLE BEARING	0043	ab.....	2	43440580	GASKET
0023	ab.....	4	02041205	BALL BEARING	0044	ab.....	1	06650840	PIN
0024	ab.....	1	36663751	SHAFT	0045	ab.....	1	25600056	TRIGGER
0025	ab.....	1	06421600	KEY	0046	ab.....	1	02041229	BALL BEARING

Repairs/modification and testing of electric power tools are to be carried out by specialists. The safety regulations according to DIN/VDE/CEE/AFNOR and other regulations valid in the different countries are to be observed.

# A & M Electric Tools

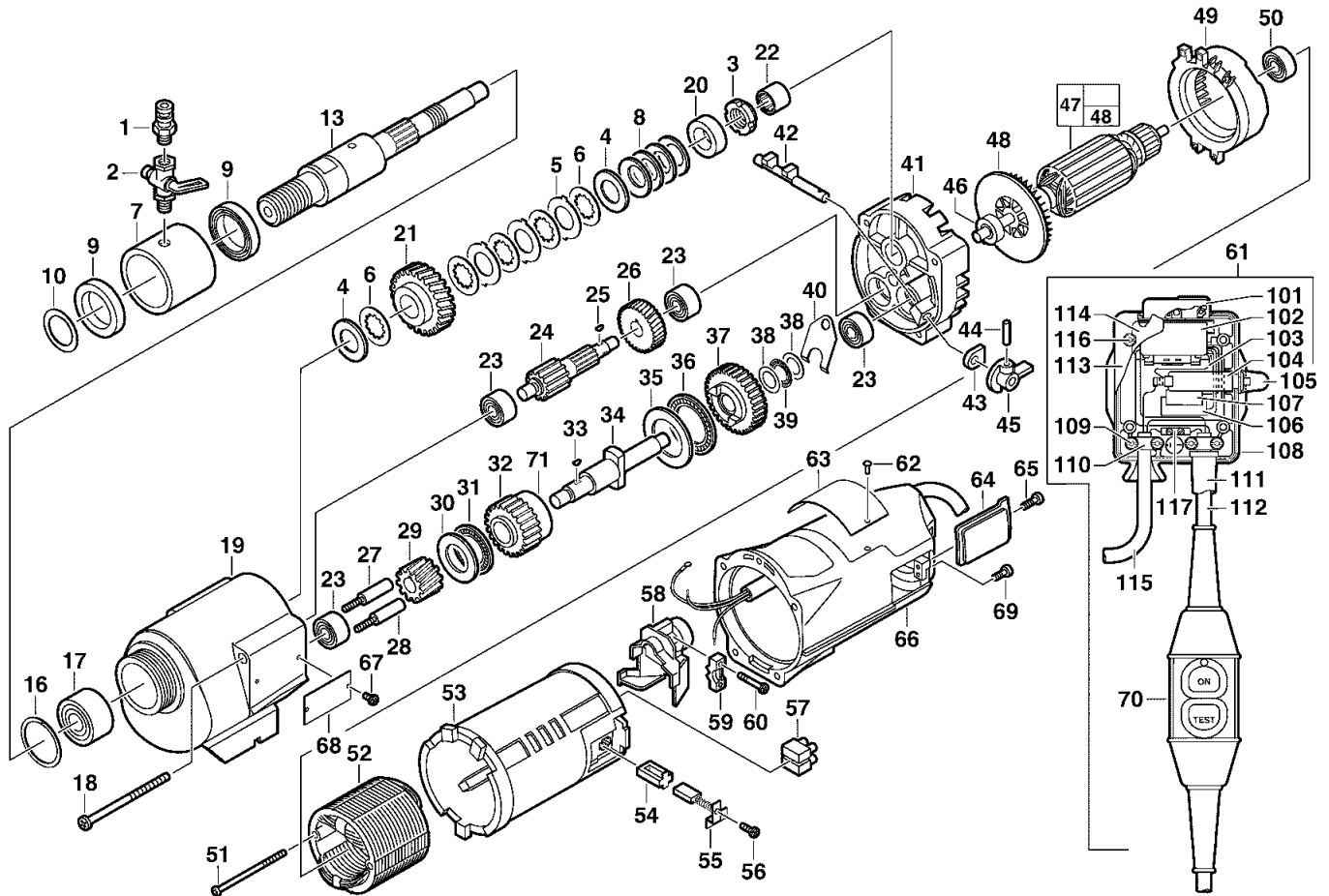
# Drills

Ind	Product No.	Type	Voltage	Country
a	4000384544	DCM2-180C	220-240V	IN2
b	4000384546	DCM2-250C	220-240V	IN2

Ind	Product No.	Type	Voltage	Country

**Milwaukee**  
**DCM2-250C**  
**DCM2-180C**

Exp.view No.      Version      Date      Page  
**4926 3845 45      0002      21.11.02      2/2**



Pos	Index	Quanti	Article No.	Designation	Pos	Index	Quanti	Article No.	Designation
0047	ab.....	1	16760325	ARMATURE	0068	ab.....	1	12983020	INSTRUCTION PLATE
0048	ab.....	1	22840790	FAN	0069	ab.....	1	06955200	SCREW
0049	ab.....	1	42140291	AIR DEFLECTOR RING	0070	ab.....	1	22360090	CABLE HARNESS
0050	ab.....	1	02041041	BALL BEARING	0071	ab.....	1	45360225	SPACER
0051	ab.....	2	06829152	SCREW	0101	ab.....	1	22680200	SWITCH CUP
0052	ab.....	1	18740120	ELECTRIC FIELD	0102	ab.....	1	23661430	SWITCH
0053	ab.....	1	23161410	INSULATING BUSH	0103	ab.....	1	23949915	CABLE SET
0054	ab.....	2	22200680	BRUSH HOLDER	0104	ab.....	1	22360150	CABLE HARNESS
0055	ab.....	2	22180706	CARBON BRUSH	0105	ab.....	1	22680210	SWITCH CUP
0056	ab.....	2	06828835	SCREW	0106	ab.....	1	22330430	CABLE HARNESS
0057	ab.....	1	22560470	TERMINAL	0107	ab.....	1	22740051	ELECTRONIC ELEMENT
0058	ab.....	1	22380140	WIRE	0108	ab.....	1	22120200	SWITCH CUP
0059	ab.....	1	31170200	CLAMPING PIECE	0109	ab.....	4	06827299	SCREW
0060	ab.....	2	06827326	SCREW	0110	ab.....	2	31170155	CLAMPING PIECE
0061	ab.....	1	23370160	CONTROL DEVICE	0111	ab.....	1	44760140	CABLE CLAMP
0062	ab.....	2	06721720	RIVET	0112	ab.....	1	22644075	CABLE
0063	a.....	1	12990115	NAME PLATE	0113	ab.....	1	22680190	COVER
0063	.b.....	1	12991823	NAME PLATE	0114	ab.....	1	12983070	LABEL
0064	ab.....	2	22320350	BRUSH COVER	0115	ab.....	1	22645050	CONNECTION CABLE
0065	ab.....	2	06825316	SCREW	0116	ab.....	4	06827326	SCREW
0066	ab.....	1	28506363	HOUSING	0117	ab.....	1	22560480	CLAMP
0067	ab.....	2	06825266	SCREW					

Repairs/modification and testing of electric power tools are to be carried out by specialists. The safety regulations according to DIN/VDE/CEE/AFNOR and other regulations valid in the different countries are to be observed.