

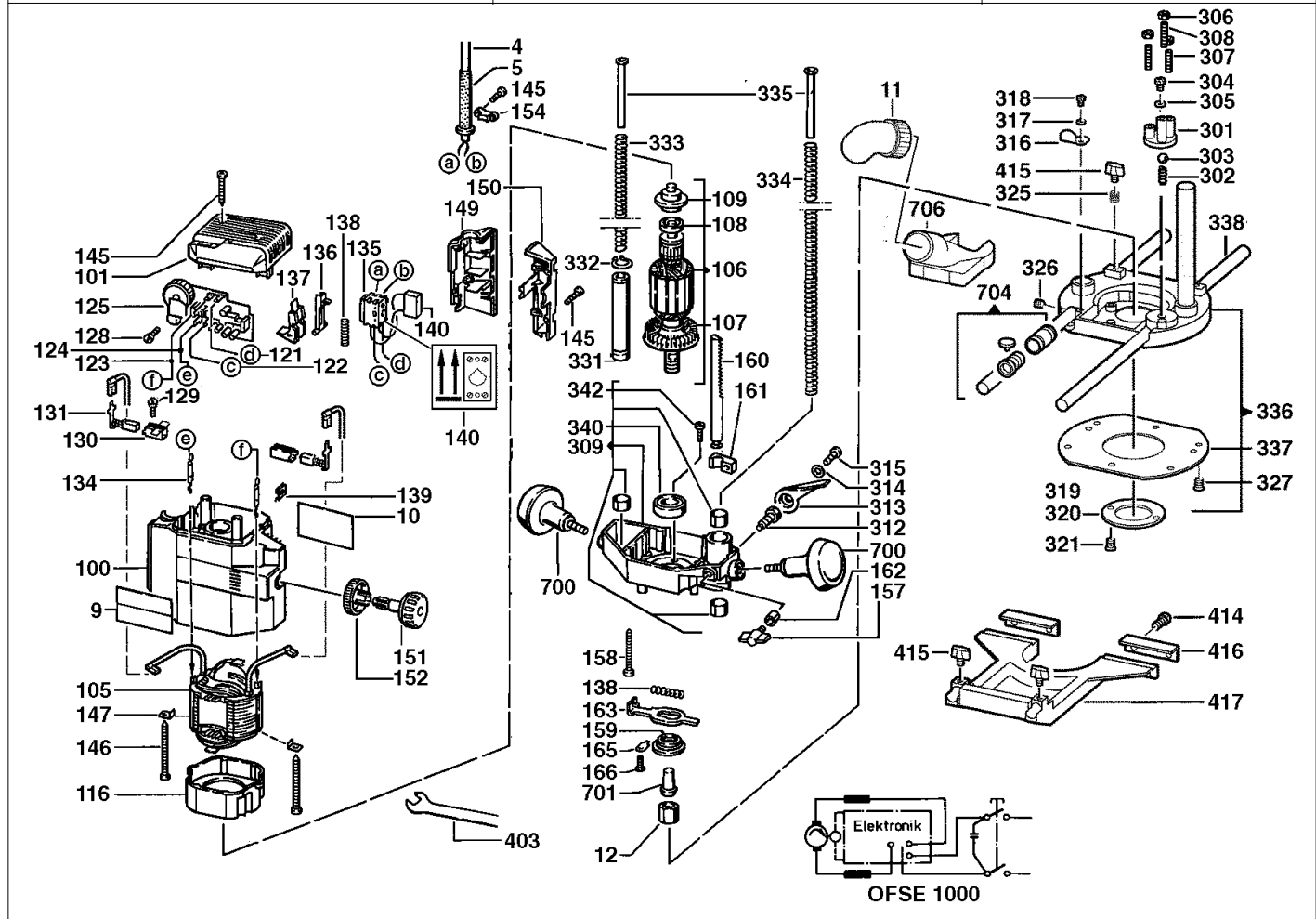
# A & M Electric Tools

# Routers

Ind Product No.	Type	Voltage	Country
a 4000378926	OFSE1000	230V	IN2

Ind Product No.	Type	Voltage	Country

Milwaukee	
<b>OFSE 1000</b>	
Exp.view No.	Version Date Page
4926 3789 40	0004 09.12.04 1/2



Pos	Index	Quanti	Article No.	Designation	Pos	Index	Quanti	Article No.	Designation
0004	a.....	1	4931622896	CONNECTION CABLE	0131	a.....	1	4931361842	CARBON BRUSH
0005	a.....	1	4931206687	CABLE ENTRY SLEEVE	0134	a.....	2	4931311690	CONNECTOR
0009	a.....	1	4931378806	TYPE PLATE	0135	a.....	1	4931311691	SWITCH
0010	a.....	1	4931378936	RATING PLATE	0136	a.....	1	4931311695	SWITCH STRIP
0011	a.....	1	4931308849	SUCTION SLEEVE	0137	a.....	1	4931338940	SWITCH LEVER
0012	a.....	1	4931311676	NUT	0138	a.....	2	4931311697	PRESSURE SPRING
0100	a.....	1	4931378930	MOTOR HOUSING	0139	a.....	1	4931311694	PLATE
0101	a.....	1	4931361598	HOUSING COVER	0140	a.....	1	4931311692	CAPACITOR
0105	a.....	1	4931378249	ELECTRIC FIELD	0145	a.....	8	4931624515	SCREW
0106	a.....	1	4931361597	ARMATURE	0146	a.....	2	4931622455	SCREW
0107	a.....	1	4931311687	FAN	0147	a.....	2	4931311675	HOLDING CLIP
0108	a.....	1	4931901253	BALL BEARING	0149	a.....	1	4931378928	COVER
0109	a.....	1	4931340190	ELECTRIC ELEMENT	0150	a.....	1	4931378929	COVER
0116	a.....	1	4931311668	AIR DEFLECTOR RING	0151	a.....	1	4931338938	SET WHEEL
0121	a.....	1	4931340201	WIRE	0152	a.....	1	4931338939	GRADUATED RING
0122	a.....	1	4931340202	WIRE	0154	a.....	1	4931312542	CABLE COLLAR
0123	a.....	1	4931340203	WIRE	0157	a.....	1	4931311680	WINGED SCREW
0124	a.....	1	4931340204	WIRE	0158	a.....	4	4931013473	SCREW
0125	a.....	1	4931378250	SPEED GOVERNOR	0159	a.....	1	4931311677	NUT
0128	a.....	1	4931340206	BOLT	0160	a.....	1	4931311678	REBATE DEPTH GAUG
0129	a.....	2	4931618241	SCREW	0161	a.....	1	4931311679	CLAMPING PIECE
0130	a.....	2	4931361587	CARBON HOLDER	0162	a.....	1	4931311681	CLAMPING SLEEVE

Repairs/modification and testing of electric power tools are to be carried out by specialists. The safety regulations according to DIN/VDE/CEE/AFNOR and other regulations valid in the different countries are to be observed.

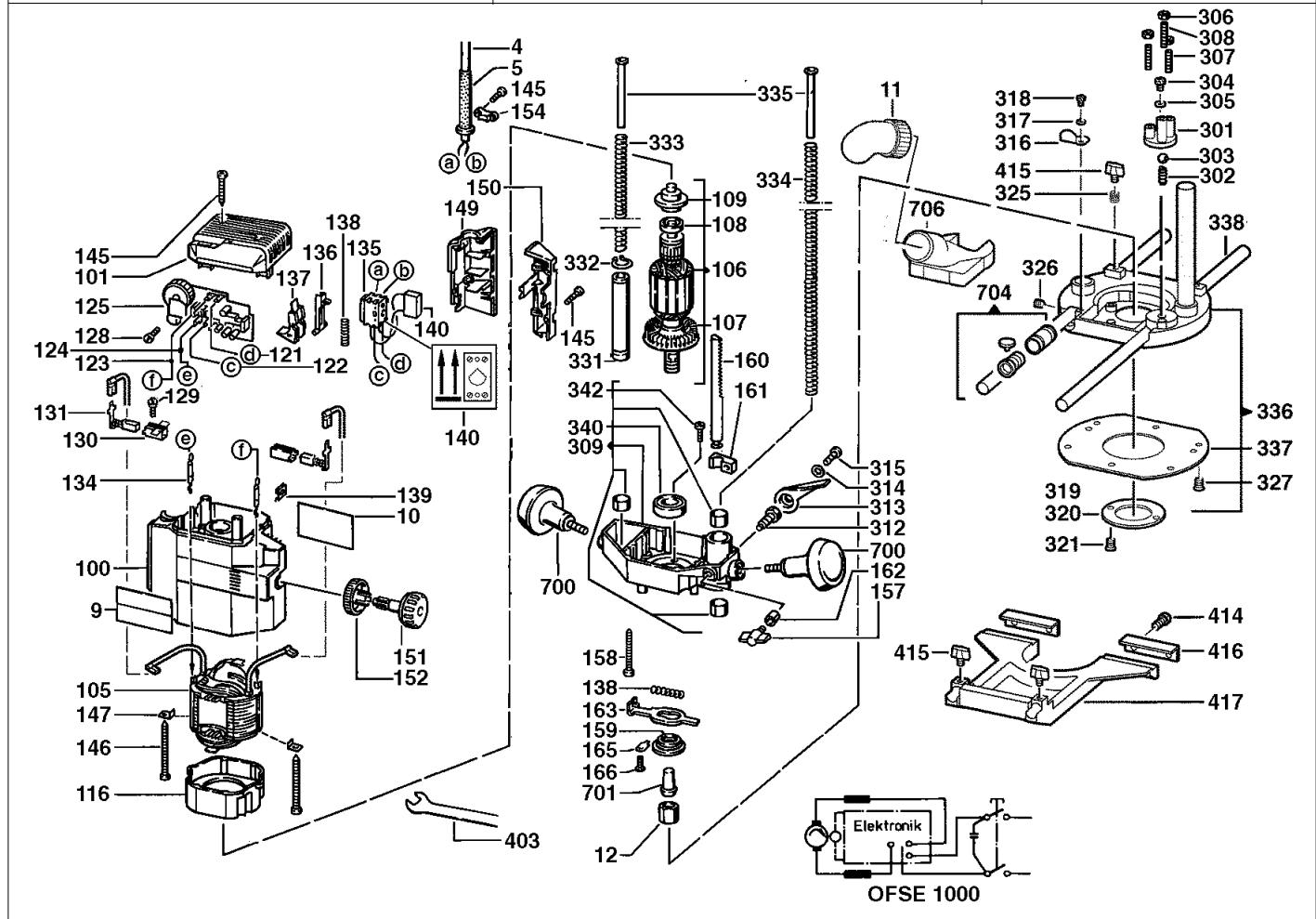
# A & M Electric Tools

# Routers

Ind Product No.	Type	Voltage	Country
a 4000378926	OFSE1000	230V	IN2

Ind Product No.	Type	Voltage	Country

Milwaukee			
<b>OFSE 1000</b>			
Exp.view No.	Version	Date	Page
4926 3789 40	0004	09.12.04	2/2



Pos	Index	Quanti	Article No.	Designation	Pos	Index	Quanti	Article No.	Designation
0163	a.....	1	4931311682	CATCH	0325	a.....	2	4931311683	PRESSURE SPRING
0165	a.....	1	4931311684	PLATE	0326	a.....	1	4931622432	SCREW
0166	a.....	1	4931311701	SCREW	0327	a.....	6	4931378238	SCREW
0301	a.....	1	4931378935	DEAPHT GADE	0331	a.....	1	4931378257	GUIDE SLEEVE
0302	a.....	1	4931311617	PRESSURE SPRING	0332	a.....	1	4931622440	LOCKING RING
0303	a.....	1	4931980476	BALL	0333	a.....	1	4931378258	PRESSURE SPRING
0304	a.....	1	4931622434	SCREW	0334	a.....	1	4931378259	PRESSURE SPRING
0305	a.....	1	4931624146	SCREW	0335	a.....	2	4931622457	RIVET
0306	a.....	3	4931613190	NUT	0336	a.....	1	4931378933	BASE PLATE
0307	a.....	2	4931622535	SCREW	0337	a.....	1	4931378233	SLIDE PLATE
0308	a.....	1	4931622503	THREADED PIN	0338	a.....	2	4931313263	GUIDE BAR
0309	a.....	1	4931378931	MOTOR SUPPORT	0340	a.....	1	4931623202	BALL BEARING
0312	a.....	1	4931311686	SCREW	0342	a.....	2	4931311702	SCREW
0313	a.....	1	4931311685	CLAMPING LEVER	0403	a.....	1	4931822228	KEY
0314	a.....	1	4931943998	DISC	0414	a.....	4	4931618556	SCREW
0315	a.....	1	4931620205	SCREW	0415	a.....	4	4931274068	SCREW
0316	a.....	1	4931378234	LEVER	0416	a.....	2	4931317509	ASSEMBLY SET
0317	a.....	1	4931622952	O-RING	0417	a.....	1	4931311321	PARALLEL GUIDE
0318	a.....	1	4931378237	SCREW	0700	a.....	2	4931311721	HANDLE
0319	a.....	1	4931378235	DISC	0701	a.....	1	4932256303	COLLET
0320	a.....	1	4931378236	DISC	0704	a.....	1	4932311584	FINE ADJUSTMENT
0321	a.....	2	4931378239	SCREW	0706	a.....	1	4932367443	DUST EXTRACTION

Repairs/modification and testing of electric power tools are to be carried out by specialists. The safety regulations according to DIN/VDE/CEE/AFNOR and other regulations valid in the different countries are to be observed.